

We are **adaptable** to the profiles from other suppliers.

Special hybrid joints ensure a simple and stable transition to various profiles.

- ✓ Easy change to BeeWaTec as a supplier
- ✓ Maximum flexibility in the design of your solution
- ✓ Sustainability - existing solutions can be customised

BeeWaTec AG | Kunstmühlestr. 16 | DE-72793 Pfullingen | Phone: +49(0)7121-62 87 16-0 | info@beewatec.de | www.beewatec.com

Connections from Ø 28 mm to Ø 30 mm

AA-201 external clamping hybrid joint set

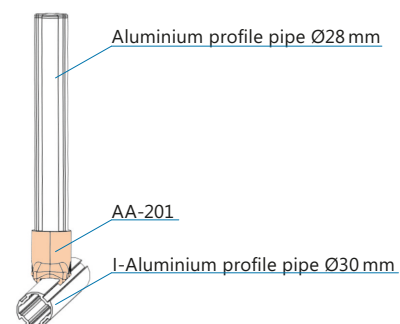


Adapter between:

I-Aluminium profile pipes Ø 30 mm and BeeWaTec aluminium profile pipes Ø 28 mm

The set consists of following parts:

- 2 x A-201
- 1 x N06-55 W • 1 x M0625 WZ



ACY-318B Set Universal hybrid joint

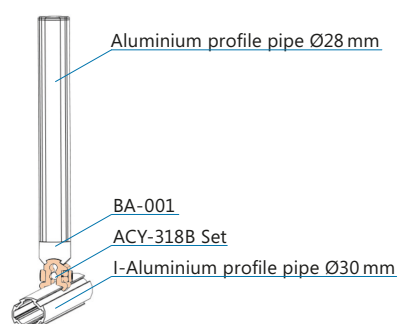


Adapter between:

I-Aluminium profile pipes Ø 30 mm and various BeeWaTec aluminium profiles round and square 28 mm with the suitable joints

The set consists of following parts:

- 1 x ACY-318B
- 1 x N06-55 W • 1 x M0620 WZ



Connections of Ø28 mm with 40 x 40 mm nut 8

Clamp 428 AL



Aluminium: 126956

Adapter between:

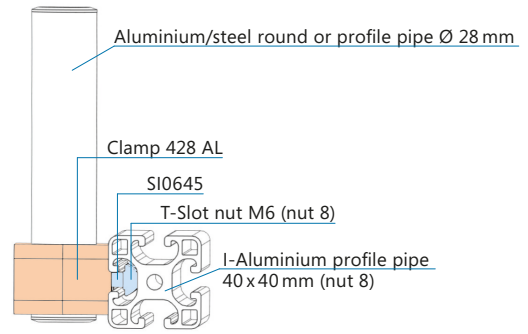
I-Aluminium profile 40 x 40 mm (nut 8) and BeeWaTec aluminium or steel round pipe Ø28 mm

The set consists of following parts:

- 2 x Clamp 428 AL

Required for mounting:

- 2 x SI0645
- 2 x T-Slot nut M6 nut 8 (403665)



GA-104 Set of joints to flat surfaces



WZ: 114353

Adapter between:

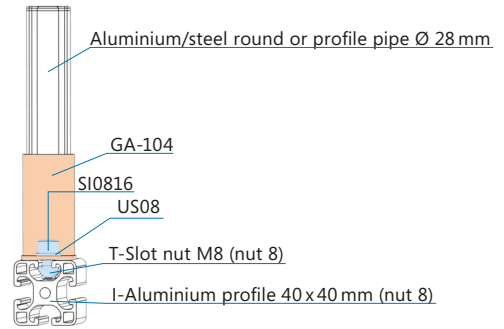
I-Aluminium profile 40 x 40 mm (nut 8) and BeeWaTec aluminium or steel round pipe Ø 28 mm

The set consists of following parts:

- 2 x G-104 WZ
- 1 x TN06 W
- 1 x M0625 WZ

Required for mounting:

- 2 x T-Slot nut M8 nut 8 (403666)
- 2 x US08
- 2 x SI0816



GA-15G-WZ Set of joints



WZ: 501014

Adapter between:

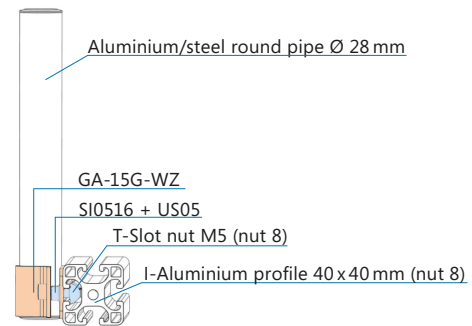
I-Aluminium profile 40 x 40 mm (nut 8) and BeeWaTec aluminium or steel round pipe Ø 28 mm

The set consists of following parts:

- 1 x G-15G
- 1 x G-15BS
- 1 x M0610

Required for connection:

- 2 x T-Slot nut M5 nut 8 (403664)
- 2 x US05
- 2 x SI0516



SA822C T-slot nut



Aluminium: 130798

Adapter between:

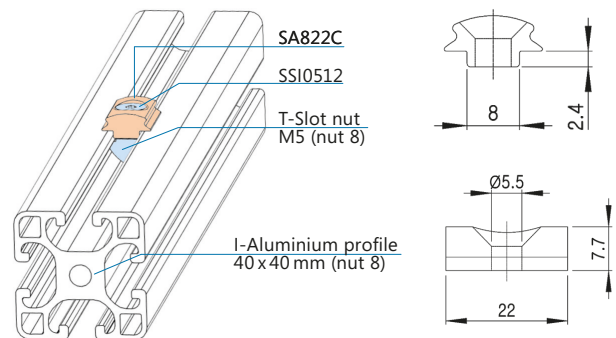
I-Aluminium profile 40 x 40 mm (nut 8) and BeeWaTec round pipe Ø 28 mm or our square system

A selection of suitable joints:

- BA-001H
- BA-001T
- BA-008
- BA-011

Required for connection:

- 1 x T-Slot nut M5 nut 8 (403664)
- 1 x SSI0512



SA845A T-slot nut



Aluminium: 401496

Adapter between:

I-Aluminium profile 40 x 40 mm (nut 8) and BeeWaTec round pipe Ø 28 mm or our square system

A selection of suitable joints:

- AA-001
- AA-013
- DA-001
- EA-001

Required for connection:

- 1 x T-Slot nut M6 nut 8 (403665)
- 1 x SI0612

