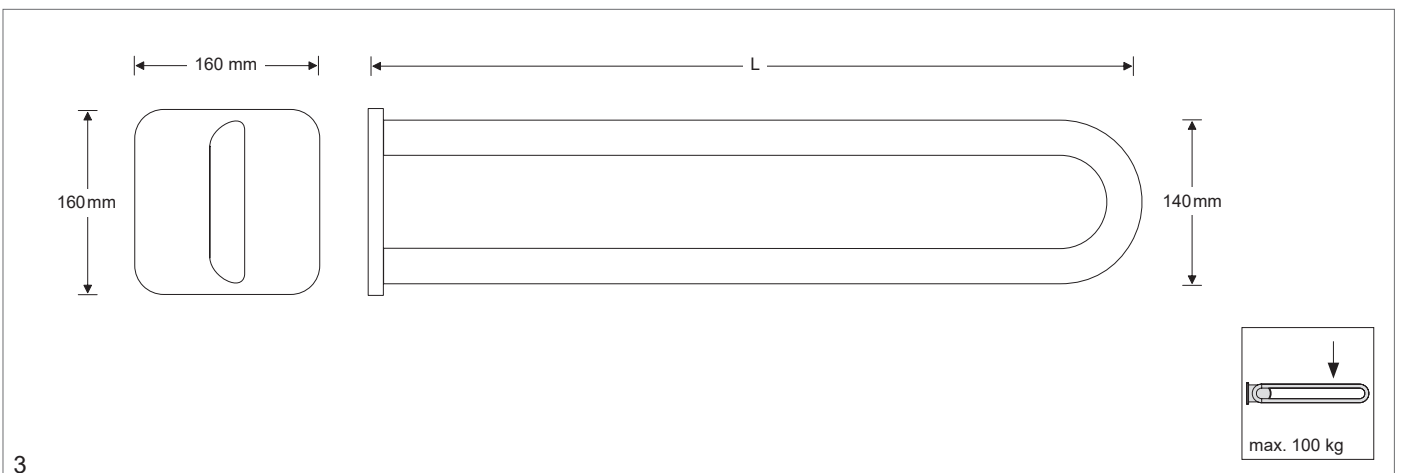
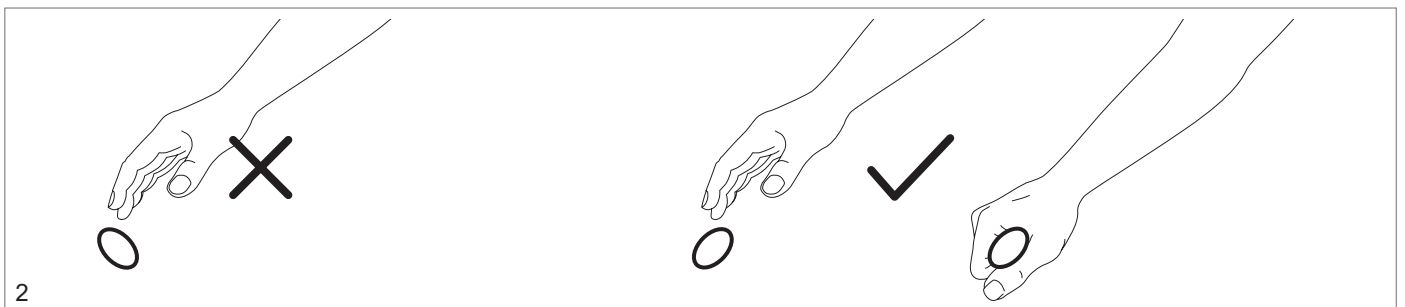
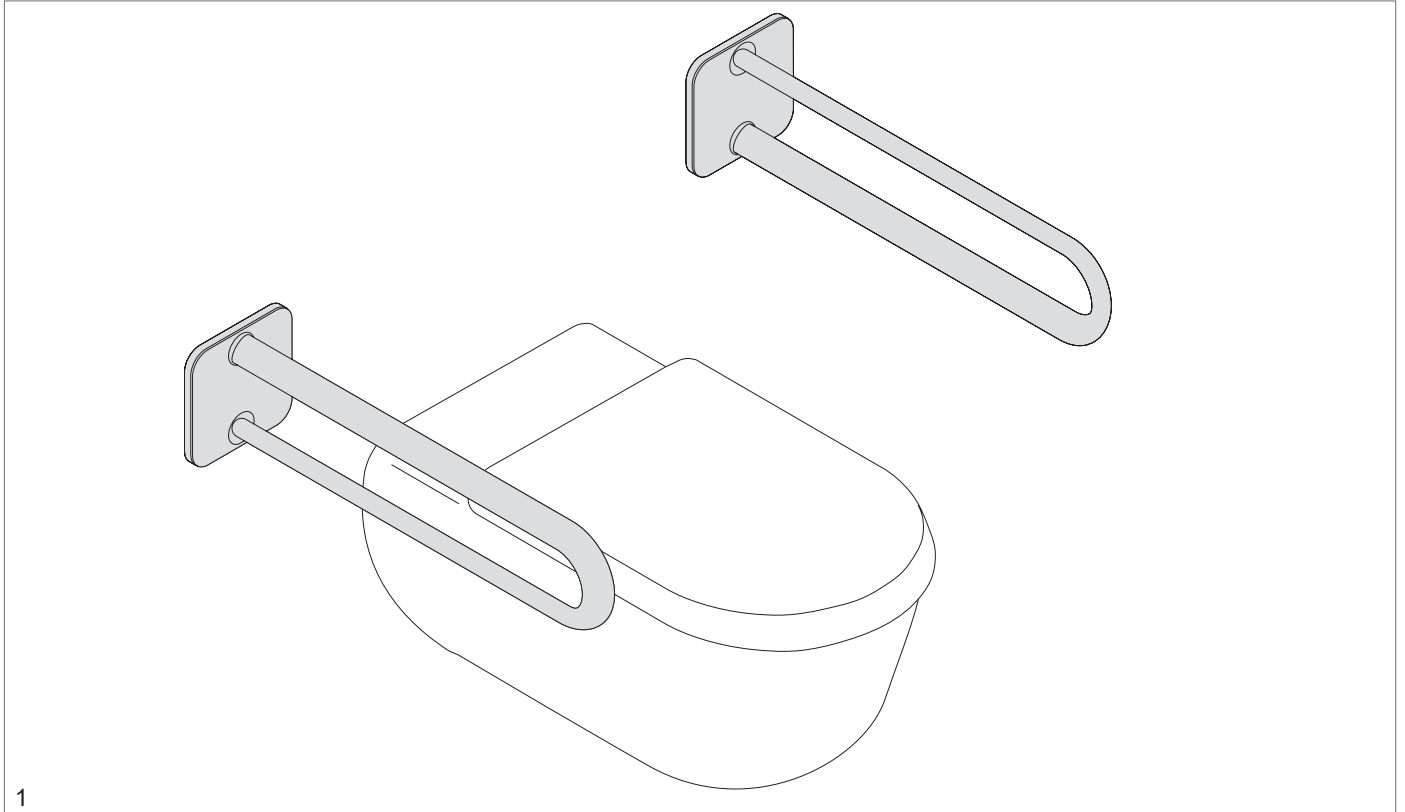


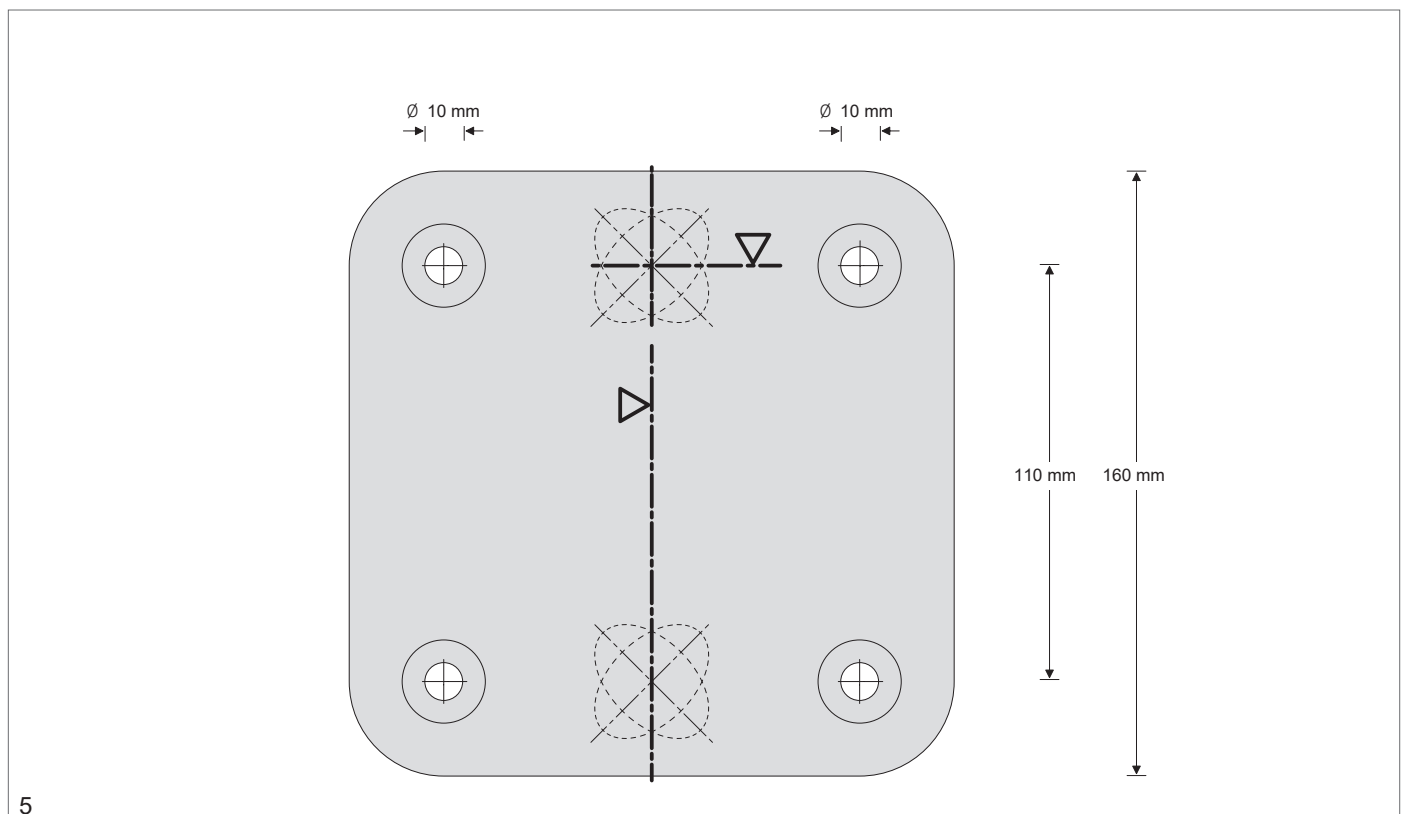
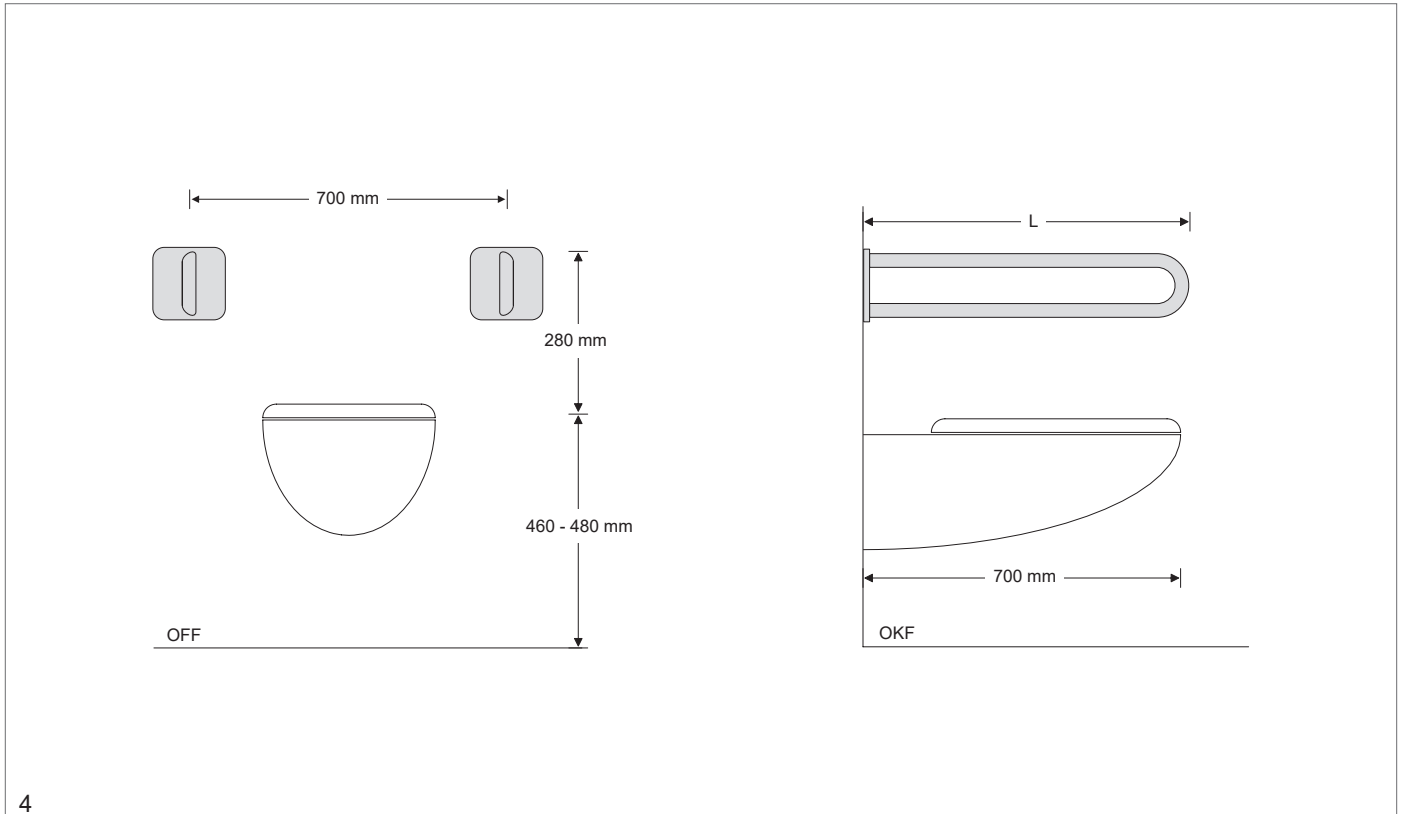
KWS ErgoSystem® E300
Wandstützgriff / Wall support support rail

82.8222.07000 / 82.8222.08500 / 82.8222.09000..



KWS ErgoSystem® E300
Wandstützgriff / Wall support support rail

82.8222.07000 / 82.8222.08500 / 82.8222.09000..



KWS ErgoSystem® E300
Wandstützgriff / Wall support support rail

82.8222.07000 / 82.8222.08500 / 82.8222.09000..

