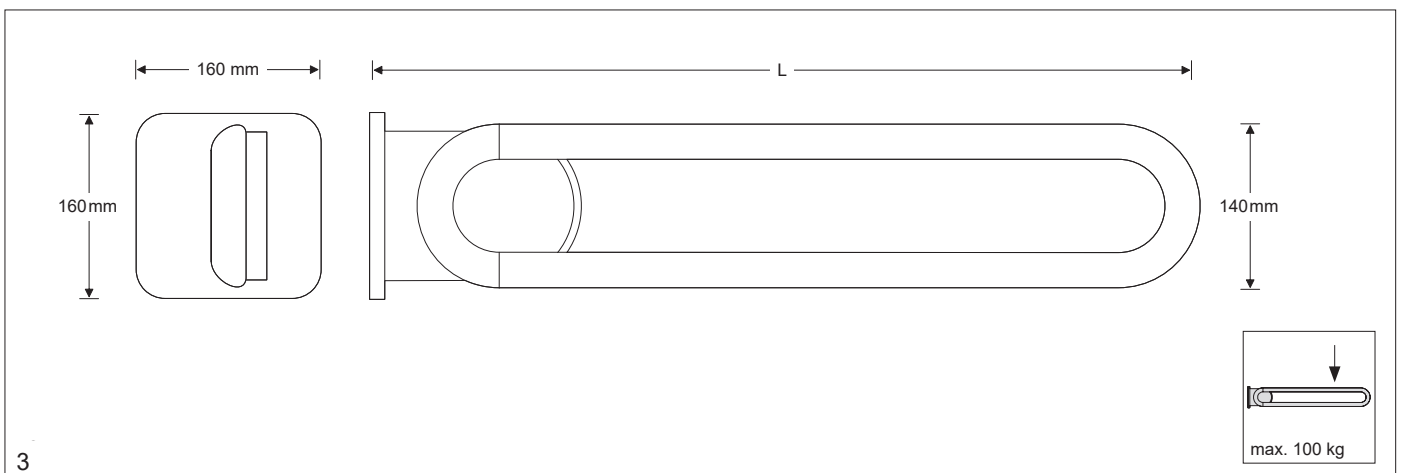
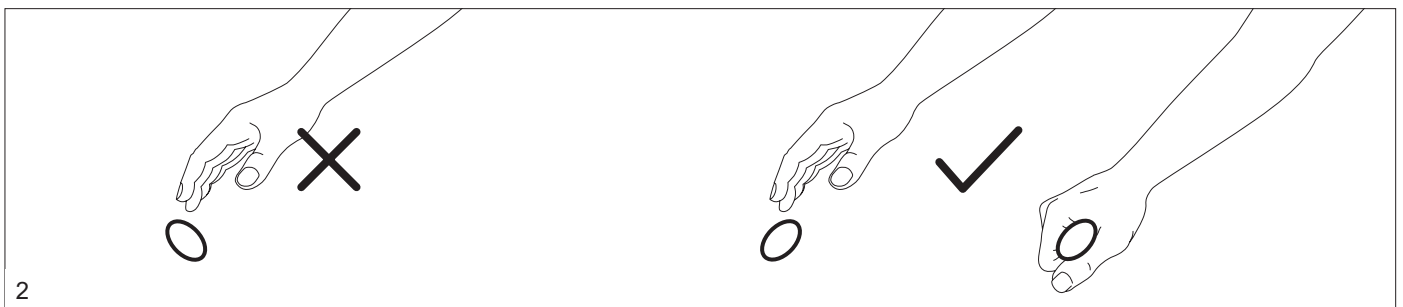
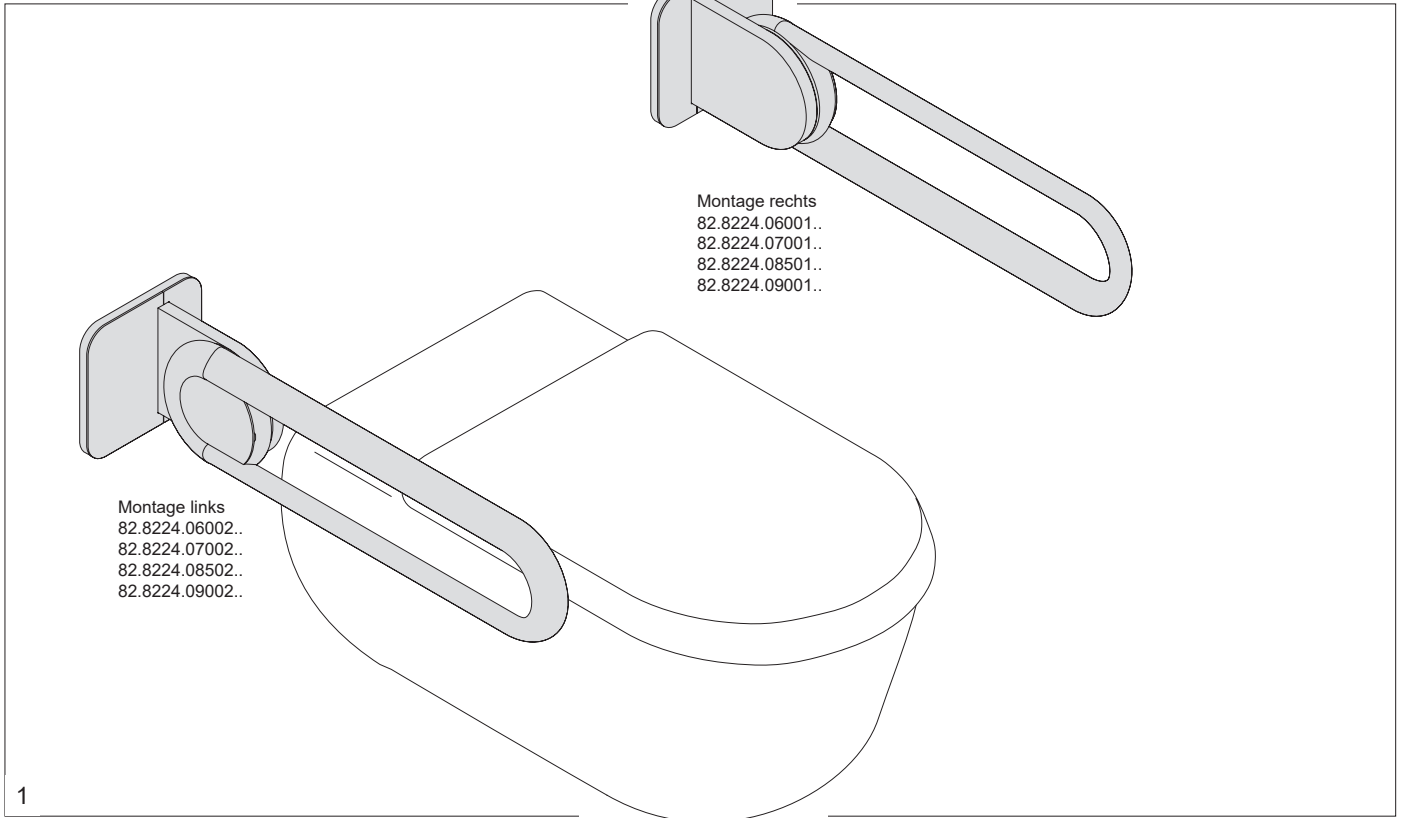


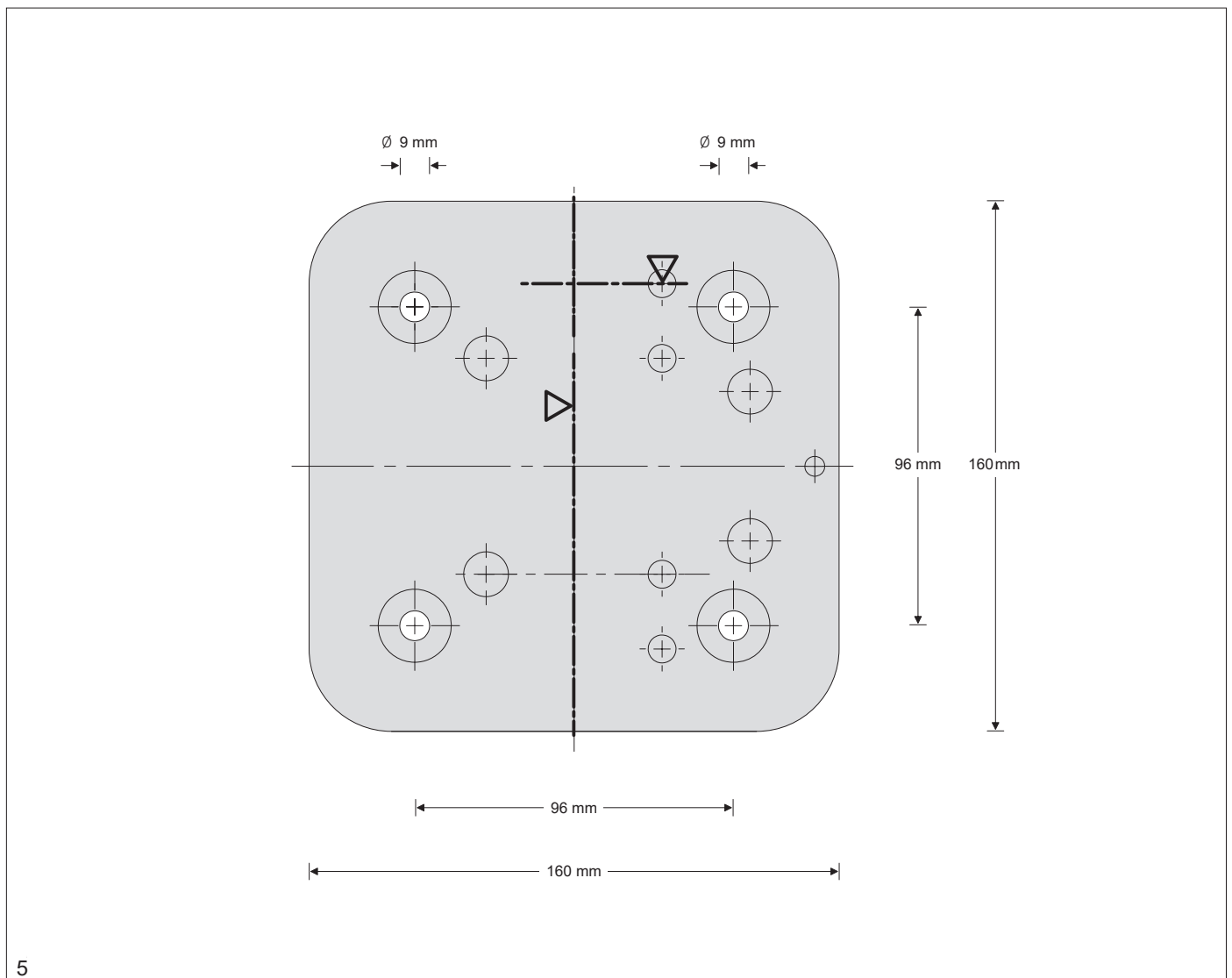
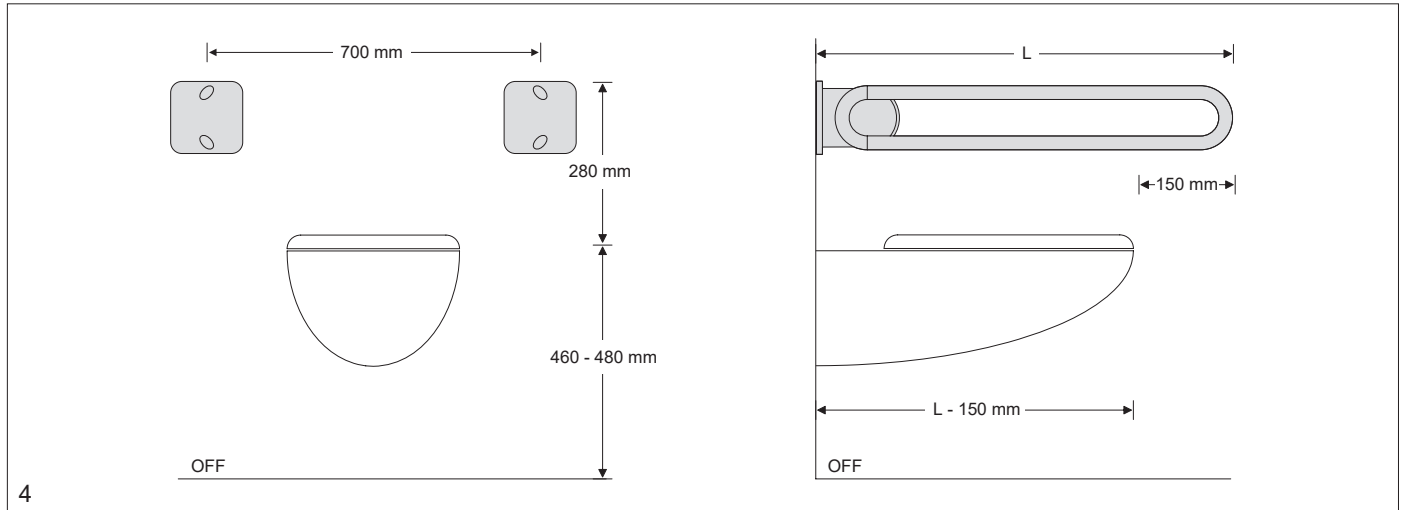
KWS ErgoSystem® E300
Stützklappgriff / Drop-down support rail

82.8224.06001.. / 82.8224.06002.. / 82.8224.07001.. / 82.8224.07002.. / 82.8224.08501.. / 82.8224.08502.. / 82.8224.09001.. / 82.8224.09002.. / 82.8224.99..



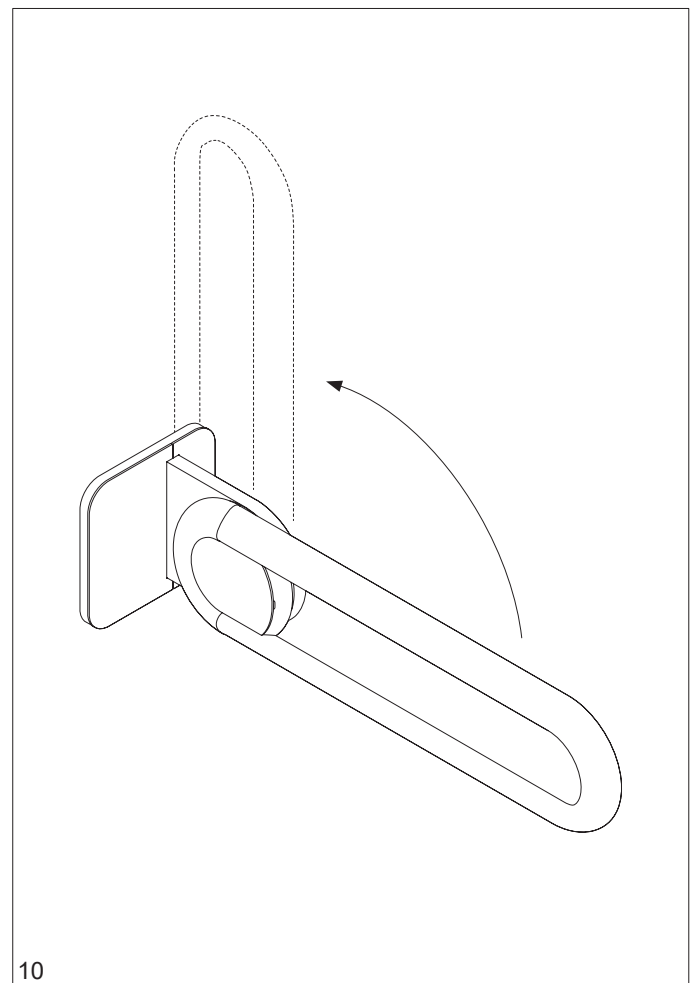
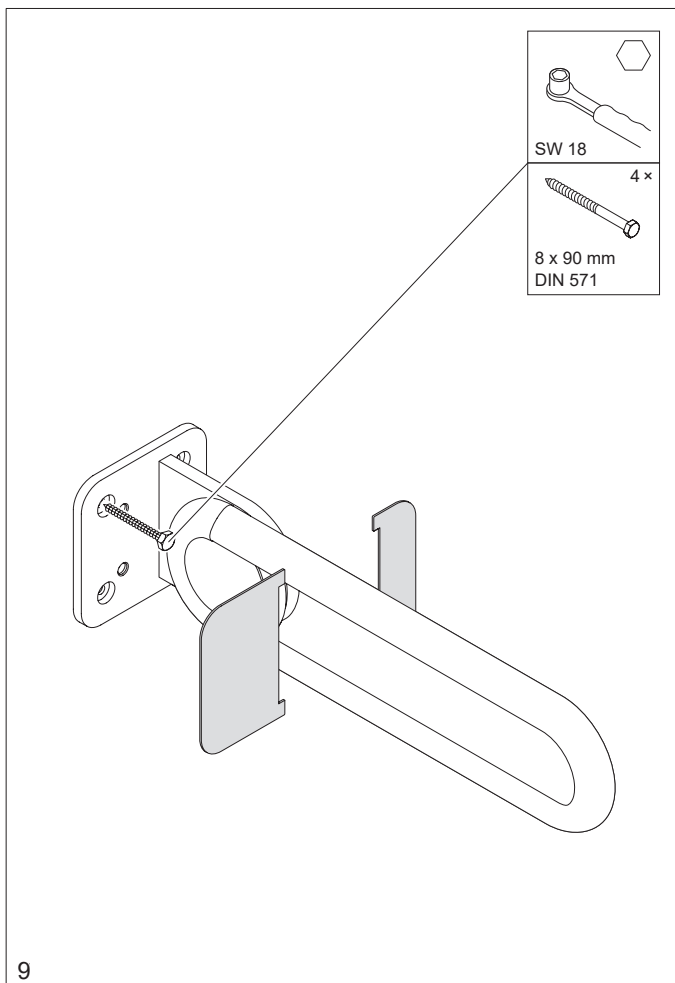
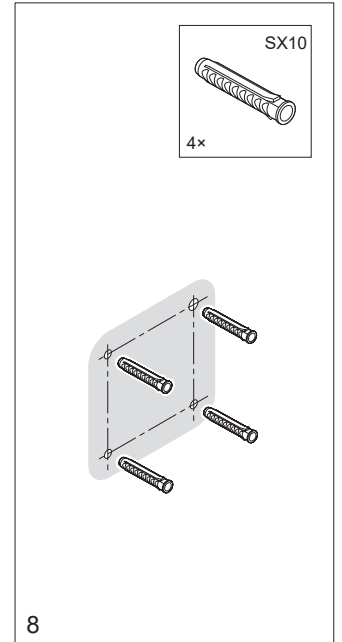
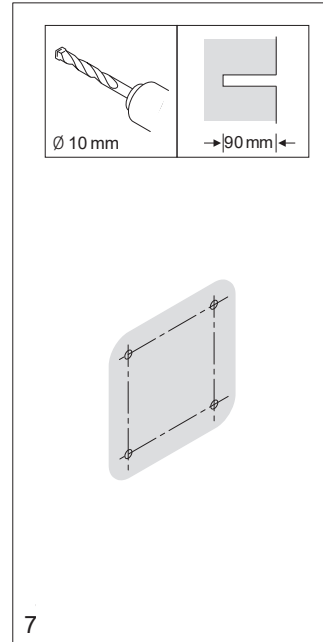
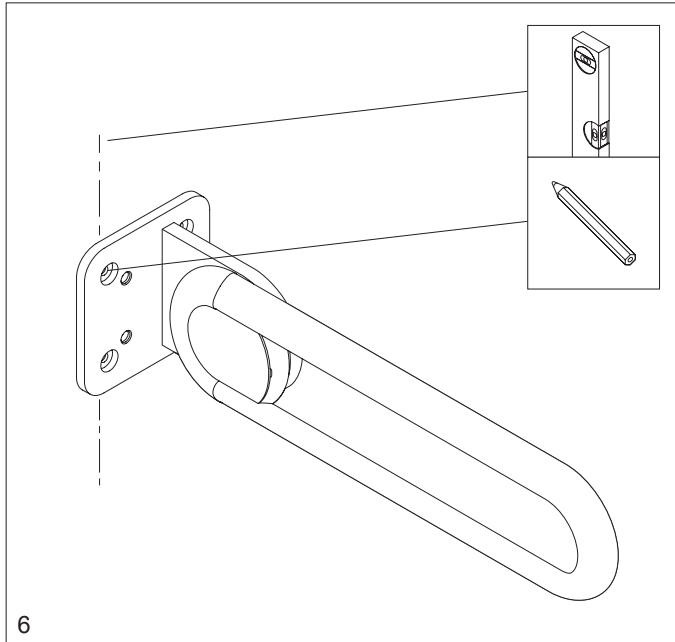
KWS ErgoSystem® E300
Stützklappgriff / Drop-down support rail

82.8224.06001.. / 82.8224.06002.. / 82.8224.07001.. / 82.8224.07002.. / 82.8224.08501.. / 82.8224.08502.. / 82.8224.09001.. / 82.8224.09002.. / 82.8224.99..



KWS ErgoSystem® E300
Stützklappgriff / Drop-down support rail

82.8224.06001.. / 82.8224.06002.. / 82.8224.07001.. / 82.8224.07002.. / 82.8224.08501.. / 82.8224.08502.. / 82.8224.09001.. / 82.8224.09002.. / 82.8224.99..



KWS ErgoSystem® E300
Stützklappgriff / Drop-down support rail

82.8224.06001.. / 82.8224.06002.. / 82.8224.07001.. / 82.8224.07002.. / 82.8224.08501.. / 82.8224.08502.. / 82.8224.09001.. / 82.8224.09002.. / 82.8224.99..

