


QUICK  **CONNECT**
by Bals

Schuko-type panel mounting socket outlets



 **Bals**

Simply. Well. Connected.

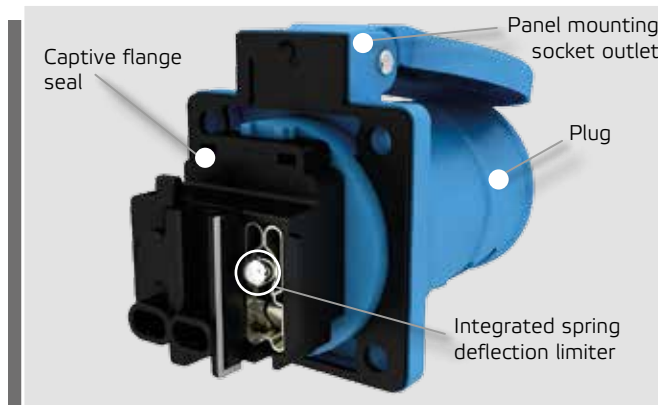
Schuko-type panel mounting socket outlets with QUICK CONNECT

by Bals

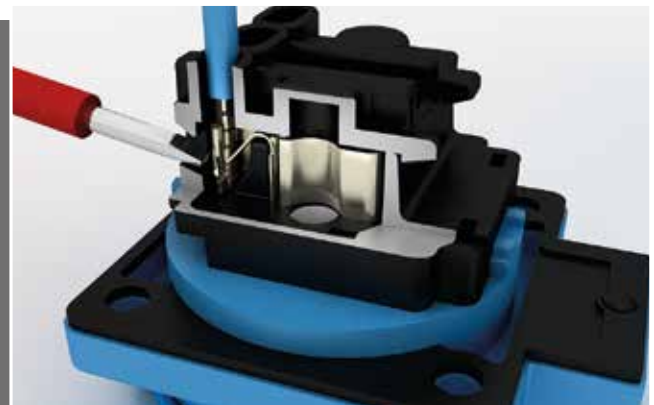
- Screwless connection technology
- Robust terminal and housing design
- New, attractive design
- Special contact technology mostly prevents deformation ultimately leading to lessening contact pressure and subsequent higher temperatures
- Captive flange seal
- Available as IP44 or IP54 variant (IP67 available from September 2014)
- Flange dimensions in 50x50 mm and 75x75 mm
- Versions available for German, Swiss, or Belgian/French system
- Also with shutter on request
- Special colours on request (depending on quantity)
- VDE-tested
- Finger-proof in accordance with BGV A3
- Nickel plated contacts



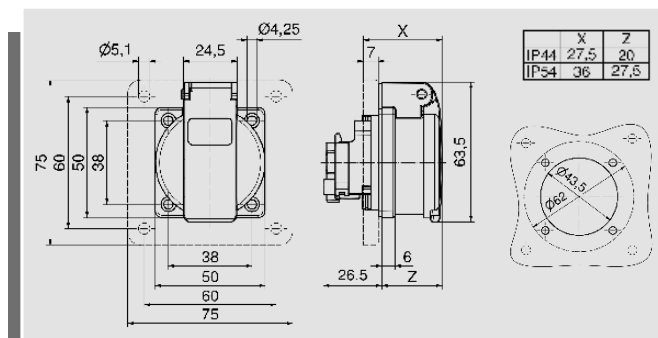
The QC version is available in different national standards and colours



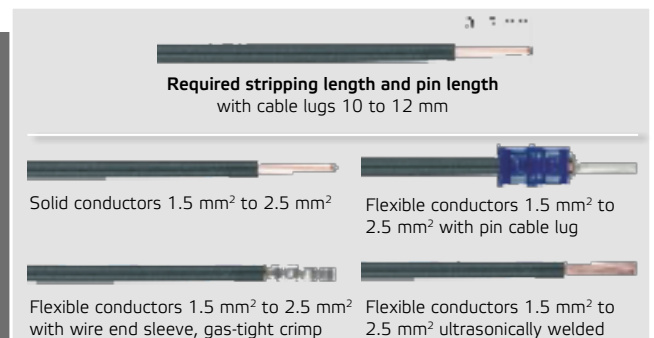
Solid design reduces contact deformation



Simple disconnection of the conductor using a screwdriver



Dimensional drawings



Different conductor types and cross sections can be used

Schuko-type panel mounting socket outlet IP 44		Colour	Order no.	Qty.
	• Flange 50 x 50 mm	blue	711099*	20
	• Screwless connection technology	grey	711100*	20
	• With captive flange seal	black	711101*	20
Schuko-type panel mounting socket outlet IP 54		Colour	Order no.	Qty.
	• Flange 50 x 50 mm	blue	711102*	20
	• Screwless connection technology	grey	711103*	20
	• With captive flange seal	black	711104*	20

* With shutter, please add -KI to the end of the order number

Schuko-type panel mounting socket outlet IP 44		Colour	Order no.	Qty.
	• Flange 75 x 75 mm	blue	711108*	20
	• Screwless connection technology	grey	711109*	20
	• With captive flange seal	black	711110*	20
Schuko-type panel mounting socket outlet IP 54		Colour	Order no.	Qty.
	• Flange 75 x 75 mm	blue	711114*	20
	• Screwless connection technology	grey	711115*	20
	• With captive flange seal	black	711116*	20