

# MODBOX Extension

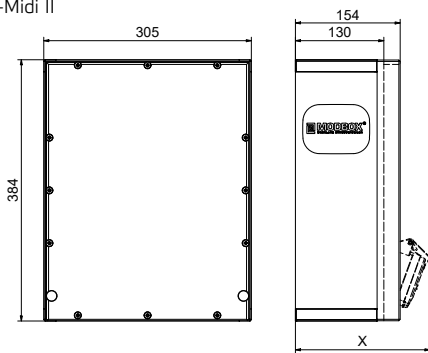


# MODBOX®

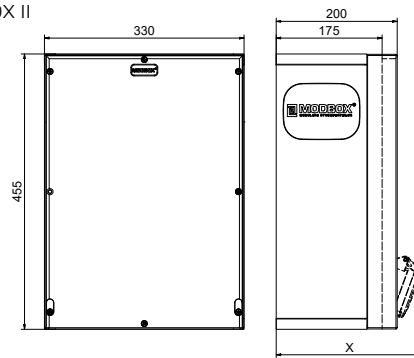
MODULARE STROMVERTEILER

MODBOX, the proven and extremely robust Bals distribution series made of solid rubber, is receiving a comprehensive relaunch for even more flexibility and customization. The distribution family covers a wide range of applications with the MODBOX midi 2, MODBOX 2 and MODBOX Maxi versions - up to 18 division units in the Maxi version.

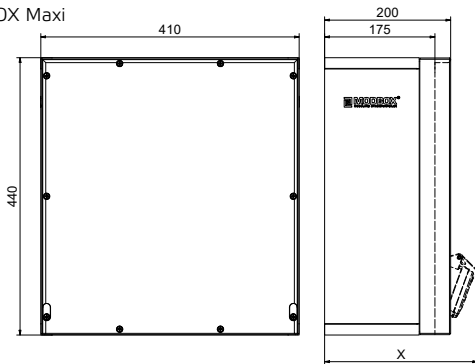
MODBOX-Midi II



MODBOX II



MODBOX Maxi



Depth X (in mm)

	MODBOX-Midi II		MODBOX II		MODBOX Maxi	
	IP44	IP67	IP44	IP67	IP44	IP67
Domestic socket	152	179	179	242	179	242
CEE 16A 3p	182	188	227	233	227	233
CEE 16A 4p	188	191	233	236	233	236
CEE 16A 5p	192	192	237	237	237	237
CEE 32A 3p / 4p	196	200	241	245	241	245
CEE 32A 5p	198	202	243	247	243	247
CEE 63A 3p / 4p / 5p	214	214	259	259	259	259



Order no. **5403409**

MODBOX-Midi II

**Components:**

2 domestic sockets 16A, 230V  
1 CEE socket 16A, 400V, 5p  
1 CEE socket 32A, 400V, 5p

**Fuse:**

2 C-type MCBs 16A, 1p  
1 C-type MCB 16A, 3p  
1 C-type MCB 32A, 3p  
1 FI 40/0,03A, 4p

**Cable entry at top and bottom:**  
each with 2 x M40

**Connection option:**  
for 2 cables up to 5 x 25 mm<sup>2</sup>



Order no. **5403407**

MODBOX-Midi II

**Components:**

2 domestic sockets 16A, 230V  
1 CEE socket 16A, 400V, 5p  
1 CEE socket 32A, 400V, 5p  
1 Datendoppeldose

**Fuse:**

2 C-type MCBs 16A, 1p  
1 C-type MCB 32A, 3p  
1 FI 40/0,03A, 4p

**Cable entry at top and bottom:**  
each with 2 x M32 und 2 x M20

**Connection option:**  
for 2 cables up to 5 x 25 mm<sup>2</sup>



Order no. **5403418**

MODBOX II

**Components:**

3 domestic sockets 16A, 230V  
1 CEE socket 16A, 400V, 5p  
1 CEE socket 32A, 400V, 5p

**Fuse:**

3 C-type MCBs 16A, 1p  
1 C-type MCB 16A, 3p  
1 C-type MCB 32A, 3p  
1 FI 40/0,03A, 4p

**Cable entry at top and bottom:**  
each with 2 x M40

**Connection option:**  
for 2 cables up to 5 x 25 mm<sup>2</sup>



Order no. **5403419**

MODBOX II

**Components:**

3 domestic sockets 16A, 230V, IP67  
1 CEE socket 16A, 400V, 5p, IP67

**Fuse:**

3 C-type MCBs 16A, 1p  
1 C-type MCB 32A, 3p  
1 FI 40/0,03A, 4p

**Cable entry at bottom:**  
2 x M40, 2 x M12

**Connection option:**  
for 2 cables up to 5 x 25 mm<sup>2</sup>



Order no. **5403398**

MODBOX Maxi

**Components:**

4 domestic sockets 16A, 230V  
2 CEE sockets 16A, 400V, 5p  
1 CEE socket 32A, 400V, 5p

**Fuse:**

4 C-type MCBs 16A, 1p  
2 C-type MCBs 16A, 3p  
1 C-type MCB 32A, 3p  
1 FI 40/0,03A, 4p

**Cable entry at top and bottom:**  
each with 2 x M40

**Connection option:**  
for 2 cables up to 5 x 25 mm<sup>2</sup>



Order no. **5403403**

MODBOX Maxi

**Components:**

4 domestic sockets 16A, 230V  
1 CEE socket 16A, 400V, 5p  
1 CEE socket 32A, 400V, 5p  
1 CEE socket 63A, 400V, 5p

**Fuse:**

4 C-type MCBs 16A, 1p  
1 C-type MCB 16A, 3p  
1 C-type MCB 32A, 3p  
1 FI 63/0,03A, 4p

**Cable entry at top and bottom:**  
each with 2 x M40

**Connection option:**  
for 2 cables up to 5 x 25 mm<sup>2</sup>



 made  
 in  
 Germany



Simply. Well. Connected.

Bals Elektrotechnik GmbH & Co. KG  
D-57399 Kirchhundem-Albaum  
Phone: +49 27 23/771-0  
Fax: +49 27 23/771-177/178  
E-mail: [info@bals.com](mailto:info@bals.com)  
Internet: [www.bals.com](http://www.bals.com)

Subject to technical modifications and typographical errors