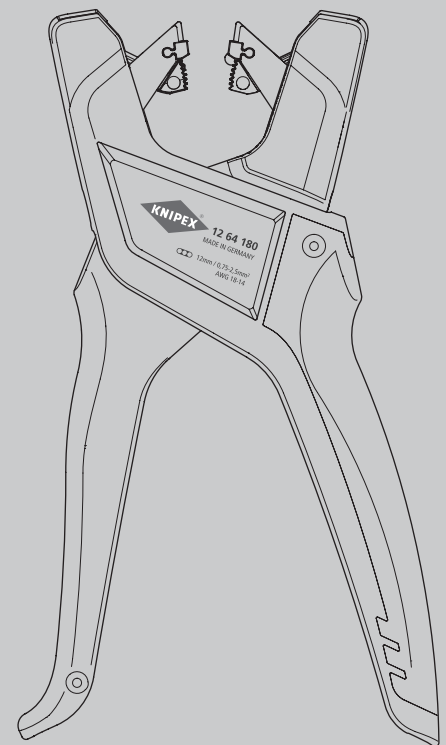


## Operating instructions

### **EN** Automatic flat cable stripping pliers for stripping PVC-insulated flat cables

12 64 180



## CONTENTS

<b>1</b>	<b>General</b>	<b>3</b>
1.1	Notes on operating instructions	3
1.2	Symbols	3
1.3	Copyright	3
1.4	Guarantee and warranty	3
<b>2</b>	<b>Safety</b>	<b>4</b>
2.1	Intended use	4
<b>3</b>	<b>Design and function</b>	<b>5</b>
3.1	Design	5
3.2	Function	5
<b>4</b>	<b>Operation</b>	<b>6</b>
4.1	Stripping cables	6
<b>5</b>	<b>Maintenance</b>	<b>7</b>
5.1	Changing the blade block	7
<b>6</b>	<b>Technical data</b>	<b>8</b>
6.1	Technical data	8
<b>7</b>	<b>Disposal</b>	<b>8</b>

## 1 General

### 1.1 Notes on operating instructions

These operating instructions are designed to enable you to use your tool safely and efficiently. The tool may only be used if it is in technically perfect condition. As a consequence of technical developments, the illustrations and descriptions contained in these operating instructions may differ slightly from the tool actually delivered.

We do not accept any liability for damage caused by failure to observe these operating instructions.

### 1.2 Symbols

All safety instructions in these operating instructions are indicated by corresponding symbols. The signal words at the beginning of each safety instruction express the extent of the Hazard.



#### **Danger!**

##### **Level 1 risk source**

This combination of symbol and signal word indicates an imminently hazardous situation that will result in death or serious injury if not avoided.



#### **Warning!**

##### **Level 2 risk source**

This combination of symbol and signal word indicates a possibly hazardous situation that may result in death or serious injury if not avoided.



#### **Caution!**

##### **Level 3 risk source**

This combination of symbol and signal word stands for important information that will assist in preventing damage to property or the environment.

### 1.3 Copyright

These operating instructions and all documentation supplied with this tool are protected by copyright and remain the property of KNIPEX. The reprinting of these instructions, even in extract form, is only permitted with the written consent of KNIPEX C. Gustav Putsch KG.

### 1.4 Guarantee and warranty

The manufacturer grants a statutory warranty in accordance with the current sales and delivery conditions. No further warranties or assurances are granted.

Within the warranty period, the warranty covers the rectification of all defects that can be traced back to material faults or manufacturing errors. Wearing parts are excluded from the warranty. The repair or replacement of a tool shall not result in an extension of the warranty period. Tools shall only be repaired or replaced with "as new" parts, whose function corresponds to that of the old parts. All defective and hence replaced parts are the property of the manufacturer.

Warranty claims shall expire in particular if:

- Damage is caused through improper operation, use for purposes other than those specified by the manufacturer, or poor maintenance.
- Repairs or conversions are carried out by unauthorized persons.
- Original accessories or spare parts from KNIPEX are not used.
- Defective components are not repaired immediately to minimise the extent of the damage and so as not to impair the safety of the tool (obligation to repair).

For the rest, reference is made to the liability and warranty regulations of the current sales and delivery conditions.

In view of the wide variety of possible insulation materials with different properties, such as material hardness and material thickness, it is not possible to guarantee perfect stripping results in every application.

It is therefore the responsibility of the user to independently check the suitability and selection of the appropriate tool for the specific requirements. We are happy to offer advice and support on request.

## 2 Safety

### 2.1 Intended use

The tool is intended for the following uses:

- For stripping PVC-insulated flat cables up to max. 12 mm wide

Any use beyond the intended purpose or any unauthorized modification shall be considered improper. The operator shall be liable for damages resulting from improper use.

Intended use also includes adhering to these operating instructions. They must be read in full before use.



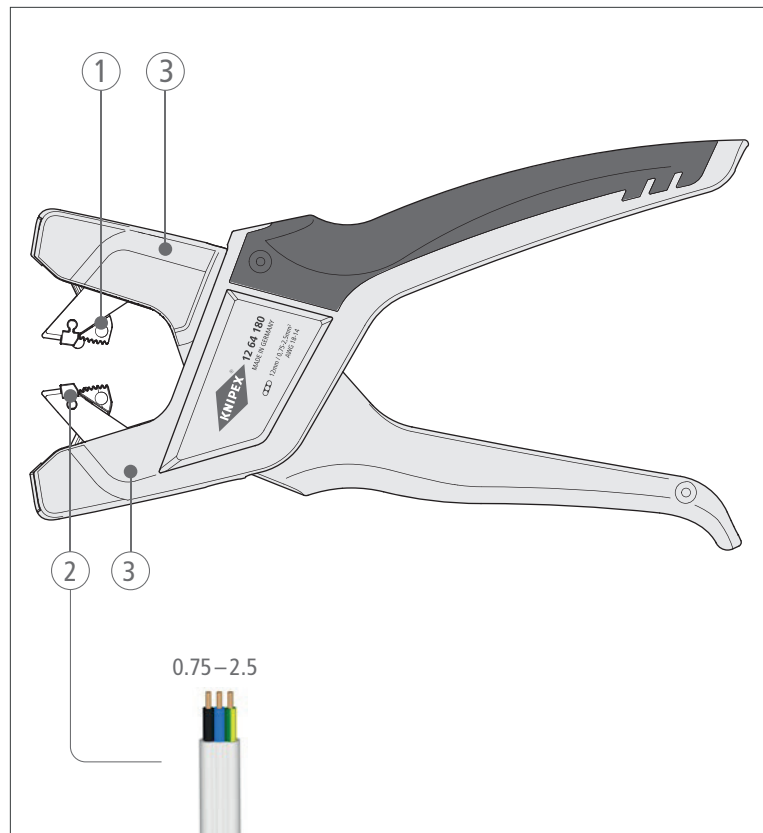
#### **Warning!**

#### **Warning: Sharp blades!**

Handling sharp blades is dangerous. For this reason, make sure to handle your tools with care when working.

### 3 Design and function

#### 3.1 Design



Structure of automatic flat cable stripping pliers

- 1 Holder for cable / conductor
- 2 Cable stripping / stripping knife
- 3 Blade block

#### 3.2 Function

The automatic flat cable stripping pliers are used to strip PVC-insulated flat cables up to a maximum width of 12 mm.

The cables can be pushed through and are therefore also suitable for large stripping distances.

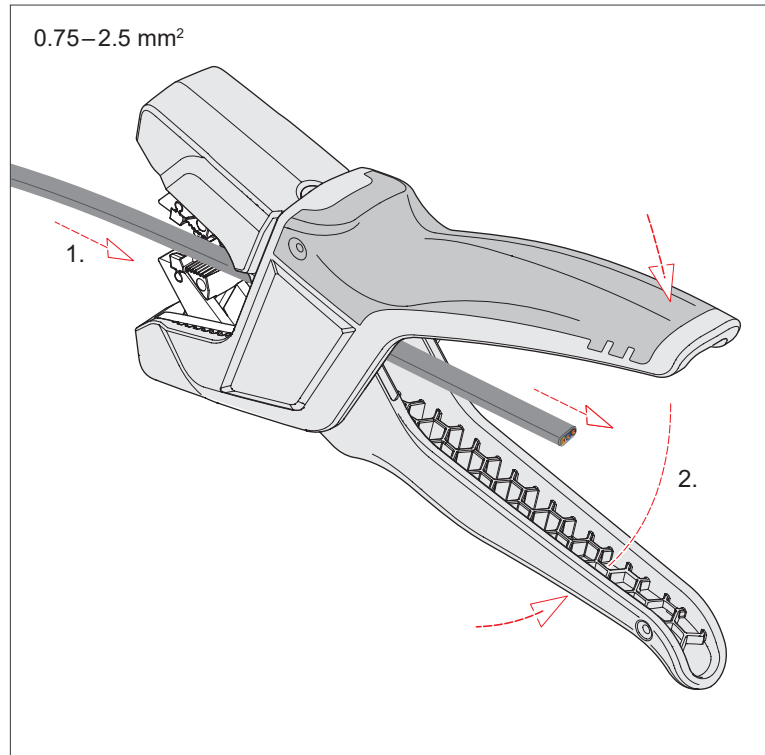
The automatic adaptation to cables from 0.75 mm<sup>2</sup> (AWG 18) to 2.5 mm<sup>2</sup> (AWG 14) means that the cable conductors are not damaged.

The automatic flat cable stripping pliers are particularly suitable for Twin and Earth and Romex® cables.

## 4 Operation

### 4.1 Stripping cables

- » Insert the cable.
- » Firmly press the two handles together.



Stripping a cable

- » Open the pliers and remove the stripped cable.

For long stripping distances, you can feed the cable between the handles.

## 5 Maintenance

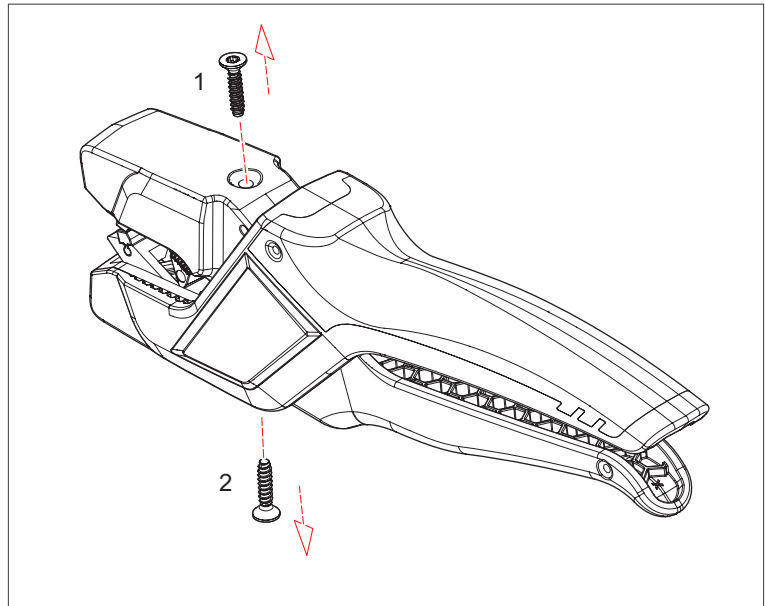
To increase the service life of the pliers, oil the moving parts and the opening spring regularly.

Use a thin liquid maintenance oil (e.g. maintenance oil for sewing machines or bicycles).

### 5.1 Changing the blade block

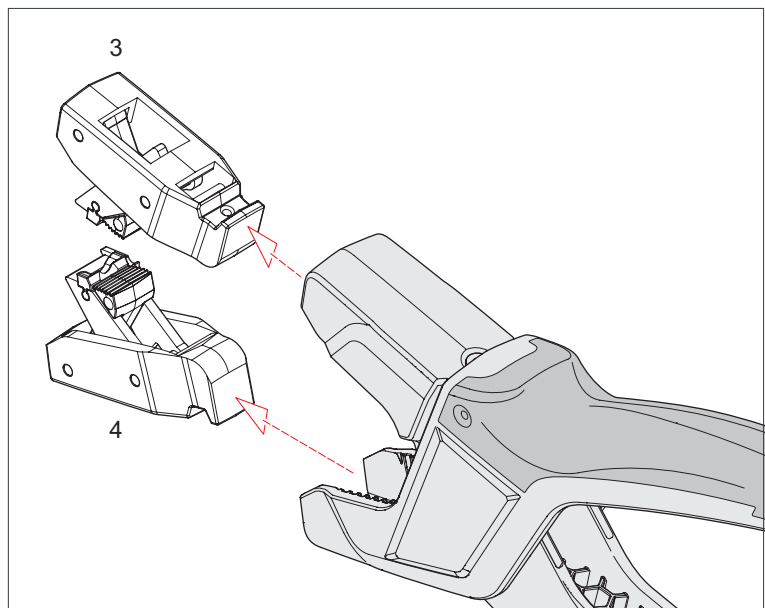
Always change the blade blocks in pairs.

1. Unscrew the screws (1 and 2) of the two blade blocks.



Detaching the blade blocks

2. Disengage the upper and lower blade blocks (3 and 4) from their guides.



Removing the blade blocks

## TECHNICAL DATA

3. Insert the new blade blocks. Ensure correct positioning using the groove guides.
4. Secure the block with your finger and tighten the screw hand-tight.
5. Dispose of the used blade blocks properly.

## 6 Technical data

### 6.1 Technical data

Technical data	Unit	
Part number pliers	–	12 64 180
Part number spare blade	–	12 64 180 E01
Length	mm	172
Weight	g	152
Housing material	–	glass fibre reinforced plastic
Capacity	mm	12
Capacity	mm <sup>2</sup>	0.75 ... 2.5
Capacity	AWG	18 – 14

## 7 Disposal

The tool can be disposed of as household waste.



**KNIPEX-Werk**  
**C. Gustav Putsch KG**

42337 Wuppertal

Tel.: +49 202 – 47 94-0  
Fax: +49 202 – 47 74 94

[info@knipex.com](mailto:info@knipex.com)  
[www.knipex.com](http://www.knipex.com)