

New Products 2024/25 Sanitary

HEWI

Design
Comfort
Care





S 900 Q PVD	
available from March 2025	2
Product range	3
Washbasin area	4 – 5
Toilet area	6 – 8
Shower and bath area	9

S 900 S 162 PVD	
available from March 2025	10
Product range	12 – 15
Accessories Washbasin area	16 – 25
Accessories Toilet area	25 – 31
Accessories Shower and bath area	32 – 35
Accessibility Support	36 – 47
Accessibility Grip	48 – 57
Accessibility Sit	58 – 68

S 900 Dispenser products	
Chrome	70
Soap dispenser, paper towel dispenser	71 – 72
Hygiene waste bin, waste bin	72 – 74
Supplementary products	76

S 477/801	
Dispenser products Black Edition	
available from December 2024	77
Soap dispenser, paper towel dispenser	78 – 80
Waste bin, large toilet roll holder	81 – 84

Mirrors	85
Adjustable mirrors	86 – 87
LED illuminated mirrors	87 – 90

Stools	91
Stools with chrome frame	92 – 94

General information	96
International terms of sale	96 – 99

HEWI Hotline

Monday – Thursday 07:30 am – 17:00 pm
 Friday 07:30 am – 14:00 pm
 Phone: +49 5691 82-0
 Fax: +49 5691 82-319
 eMail: international@hewi.com

System 900 Q PVD

Accessories

available from March 2025



HEWI PVD-COATING
 ■ ...70 CK brass glossy
 ■ ...70 LP brass brushed
 ■ ...70 WR nickel brushed
 ■ ...70 EC black chrome glossy

INSERTS
 □ satin crystal glass

ACCESSORIES



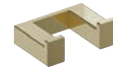
Shelf with glass panel
 900Q03.00770 | 600 mm page 4
 ■ ■ ■ ■ Holder
 □ Shelf plate



Towel rail
 900Q09.00070 page 4
 ■ ■ ■ ■



Single hook
 900Q90.00070 page 5
 ■ ■ ■ ■



Double hook
 900Q90.00170 page 5
 ■ ■ ■ ■



Toilet roll holder
 900Q21.00070 page 6
 ■ ■ ■ ■



Toilet roll holder with lid
 900Q21.00170 page 6
 ■ ■ ■ ■



Toilet roll holder with shelf
 900Q21.00270 page 6
 ■ ■ ■ ■



Spare roll holder
 900Q21.00370 page 7
 ■ ■ ■ ■



Spare roll holder, double
 900Q21.00470 page 7
 ■ ■ ■ ■



Toilet brush unit
 900Q20.00170 page 8
 ■ ■ ■ ■



Toilet brush unit with lid
 900Q20.00270 page 8
 ■ ■ ■ ■



Towel rail
 900Q30.00070 | 250 mm page 4, 9
 ■ ■ ■ ■



Bath towel rail
 900Q30.00170 | 600 mm page 9
 ■ ■ ■ ■



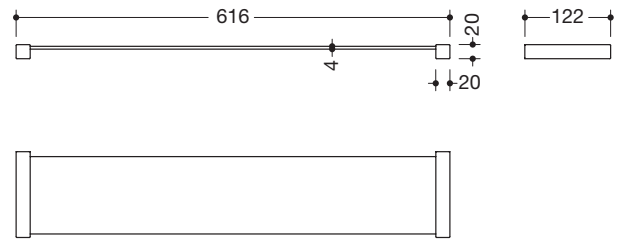
Bath towel rail
 900Q30.00270 | 800 mm page 9
 ■ ■ ■ ■

Item Number

Dimensions in mm / Specification



900Q03.00770



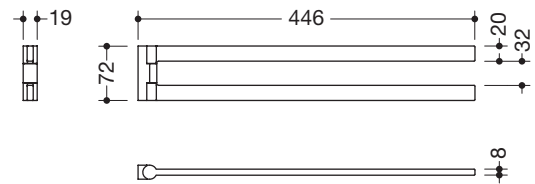
Holder
 Shelf plate

HEWI Shelf with glass panel

- shelf comprising side holder elements and a glass panel
- holder made of high-quality stainless steel, PVD-coated
- shelf panel made of ESG glass (4 mm), satin-finish on underside
- 616 mm wide, 20 mm high, 122 mm deep
- for wall mounting, concealed fixing
- including non-corrosive HEWI fixing material



900Q09.00070

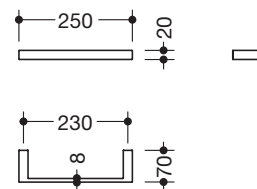


HEWI Towel rail

- the arms can be swivelled 180° independently of each other
- made of high-quality stainless steel, PVD-coated
- 446 mm long, 72 mm high and 19 mm wide
- for wall mounting, concealed fixing
- including non-corrosive HEWI fixing material



900Q30.00070

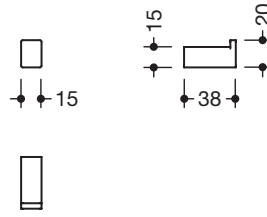


HEWI Towel rail

- made of high-quality stainless steel, PVD-coated
- 250 mm wide, 20 mm high and 70 mm deep, c to c 230 mm
- for wall mounting, concealed fixing
- including non-corrosive HEWI fixing material

Item Number

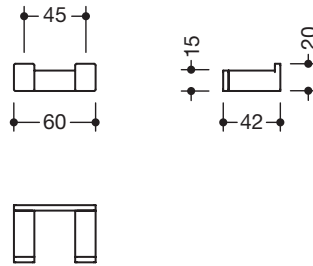
Dimensions in mm / Specification



900Q90.00070

HEWI Single hook

- made of high-quality stainless steel, PVD-coated
- 15 mm wide, 20 mm high and 38 mm deep
- for wall mounting, concealed fixing
- including non-corrosive HEWI fixing material



900Q90.00170

HEWI Double hook

- made of high-quality stainless steel, PVD-coated
- 60 mm wide, 20 mm high and 42 mm deep
- for wall mounting, concealed fixing
- including non-corrosive HEWI fixing material



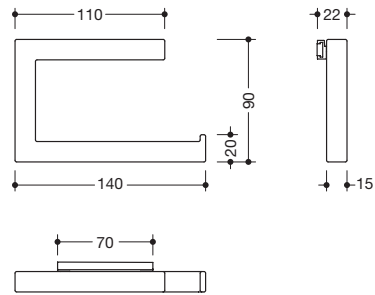
HEWI PVD-coating

- **...70 CK** brass glossy
- **...70 LP** brass brushed
- **...70 WR** nickel brushed
- **...70 EC** black chrome glossy

Detailed information about the spare parts can be found here:
www.hewi.com/en/spare-parts

Item Number

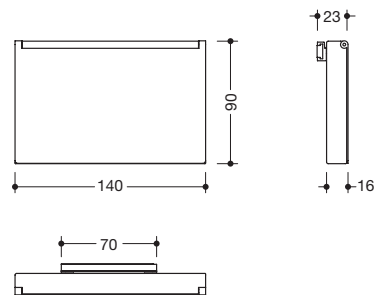
Dimensions in mm / Specification



900Q21.00070

HEWI Toilet roll holder

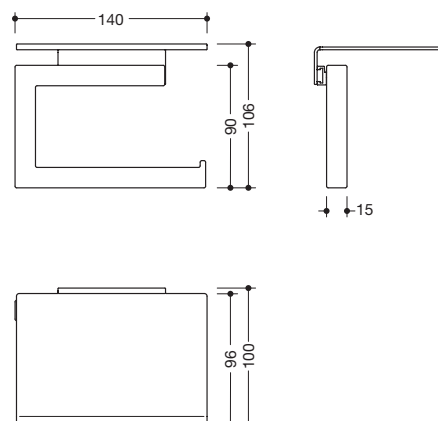
- hinged, made of stainless steel, PVD-coated
- for toilet rolls of up to 120 mm in width
- 140 mm wide, 90 mm high and 22 mm deep
- for wall mounting, concealed fixing
- including non-corrosive HEWI fixing material



900Q21.00170

HEWI Toilet roll holder with lid

- do., 140 mm wide, 90 mm high and 23 mm deep



900Q21.00270

HEWI Toilet roll holder with shelf

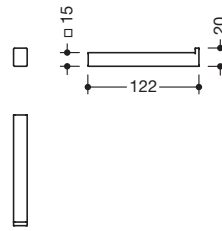
- do., 140 mm wide, 106 mm high and 100 mm deep



Detailed information about the spare parts can be found here:
www.hewi.com/en/spare-parts

Item Number

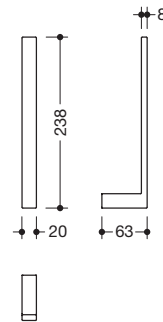
Dimensions in mm / Specification



900Q21.00370

HEWI Spare roll holder

- made of stainless steel, PVD-coated
- 15 mm wide, 20 mm high and 122 mm deep
- for wall mounting, concealed fixing
- including non-corrosive HEWI fixing material



900Q21.00470

HEWI Spare roll holder, double

- made of stainless steel, PVD-coated
- 20 mm wide, 238 mm high and 63 mm deep
- for wall mounting, concealed fixing
- including non-corrosive HEWI fixing material

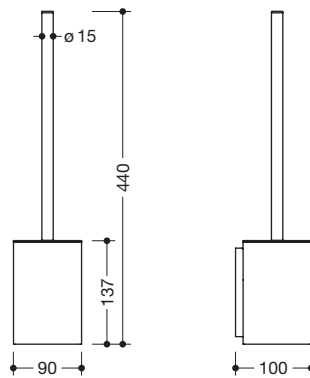


HEWI PVD-coating

- **...70 CK** brass glossy
- **...70 LP** brass brushed
- **...70 WR** nickel brushed
- **...70 EC** black chrome glossy

Item Number

Dimensions in mm / Specification



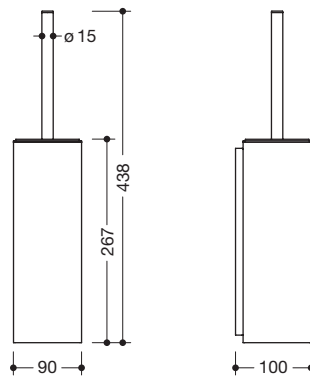
900Q20.00170

HEWI Toilet brush unit

- made of high-quality stainless steel, PVD-coated
- insert made of matt black synthetic material, can be removed for cleaning
- brush head can be replaced due to bayonet fixing
- 90 mm wide, 440 mm high and 100 mm deep
- for wall mounting, concealed fixing
- including non-corrosive HEWI fixing material

900Q20.E001
900.20.01070

**HEWI Insert toilet brush unit
HEWI Toilet brush, PVD-coated**



900Q20.00270

HEWI Toilet brush unit with lid

- made of high-quality stainless steel, PVD-coated
- insert made of matt black synthetic material, can be removed for cleaning
- brush head can be replaced due to bayonet fixing
- 90 mm wide, 438 mm high and 100 mm deep
- for wall mounting, concealed fixing
- including non-corrosive HEWI fixing material

900Q20.E002
900.20.02070

**HEWI Insert toilet brush unit with lid
HEWI Toilet brush with lid, PVD-coated**

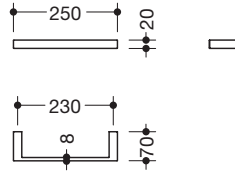


921050
921051
921052

**HEWI Brush head, packing unit 1
HEWI Brush head, packing unit 5
HEWI Brush head, packing unit 25**

Item Number

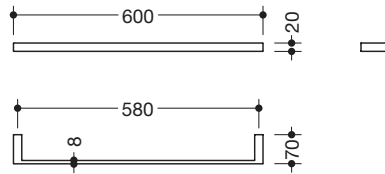
Dimensions in mm / Specification



900Q30.00070

HEWI Towel rail

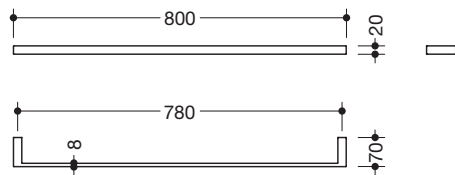
- made of high-quality stainless steel, PVD-coated
- 250 mm wide, 20 mm high and 70 mm deep, c to c 230 mm
- for wall mounting, concealed fixing
- including non-corrosive HEWI fixing material



900Q30.00170

HEWI Bath towel rail

- made of high-quality stainless steel, PVD-coated
- 600 mm wide, 20 mm high and 70 mm deep, c to c 580 mm
- for wall mounting, concealed fixing
- including non-corrosive HEWI fixing material



900Q30.00270

HEWI Bath towel rail

- made of high-quality stainless steel, PVD-coated
- 800 mm wide, 20 mm high and 70 mm deep, c to c 780 mm
- for wall mounting, concealed fixing
- including non-corrosive HEWI fixing material



HEWI PVD-coating

- ...70 CK brass glossy
- ...70 LP brass brushed
- ...70 WR nickel brushed
- ...70 EC black chrome glossy

Detailed information about the spare parts can be found here:
www.hewi.com/en/spare-parts

System 900 | System 162 PVD

available from March 2025





ACCESSORIES



Tumbler with holder
162.04.11...70 page 18

■ ■ ■ ■ Holder
 □ ■ □ Tumbler



Soap dispenser with holder
162.04.11...70 page 18

■ ■ ■ ■ Holder
 □ ■ □ Soap dispenser



Soap dispenser
900.06.00470 page 19

■ ■ ■ ■



**Soap | Foamsoap dispenser |
Disinfectant dispenser**
900.06.00570 HEWI SENSORIC S. 19
900.06.00770 HEWI SENSORIC S. 19
900.06.00870 HEWI SENSORIC S. 19

■ ■ ■ ■



Paper towel dispenser
900.06.00970 page 20

■ ■ ■ ■



Waste paper bin
900.05.00170 page 21

■ ■ ■ ■



Waste paper bin with lid
900.05.00270 page 21

■ ■ ■ ■



Shelf
162.03.1170 page 22

■ ■ ■ ■ Holder
 □ Shelf



Shelf with support rail
900.03.00070 page 22

■ ■ ■ ■ Holder
 □ Shelf



Towel rail
900.09.00170 page 23

■ ■ ■ ■



Towel rail
162.09.10070 page 23

■ ■ ■ ■



Towel ring
900.09.00270 page 23

■ ■ ■ ■



Towel rail
162.30.10070 page 24

■ ■ ■ ■



Hair dryer holder
900.00.00070 page 24

■ ■ ■ ■ Holder
 □ ■ Insert



Walking aid holder
900.90.00170 page 24

■ ■ ■ ■ Holder



Hook | Double hook
162.90.01070 page 25
162.90.03070 page 25

■ ■ ■ ■

HEWI COLOURS | INSERTS

- 98 (signal white) satin crystal glass
- 92 (anthracite grey)
- matt white
- matt black



Toilet roll holder
900.21.00070 page 26



Toilet roll holder with shelf
900.21.00470 page 26



Toilet roll holder with lid
900.21.00570 page 27



Spare roll holder | double
900.21.00670 page 27
162.21.30070 page 27



Toilet roll holder | double
162.21.10070 page 25
162.21.20070 page 25



Hygiene waste bin | combination
900.05.00570 page 28
900.05.00670 page 28



Toilet brush unit | Toilet brush
900.20.00..70 page 30
900.20.02070 page 31



Toilet brush unit | Toilet brush
162.20.10070 page 29
900.20.01070 pages 29, 30



Insert always black



Hygiene bag dispenser
900.06.01170 page 28



Shower basket
900.03.00170 page 32

- Holder
- Insert



Shower basket
900.03.00270 page 32

- Holder
- Insert



Bath towel rail
162.30.20070 page 32



Shower curtain rail
900.34.40070 page 33

- Rail
- Curtain rings



Shower curtain rail
900.34.1070 page 34

- Rails
- Curtain rings



Shower curtain rail
900.34.3070 page 35

- Rails
- Curtain rings

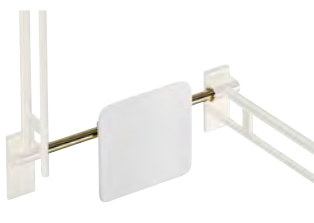
ACCESSIBILITY



Hinged support rail Mono, Design A
 900.50.10070 | 600 mm page 38
 900.50.40070 | mobile page 40



Hinged support rail Duo, Design A
 900.50...70 from page 38
 900.50.4...70 | mobile from page 40



Backrest rail
 900.51.90170 | ...91670 page 44
 900.51.90670 | ...92070 page 44



Backrest rail
 900.51.90270 | ...91770 page 46
 900.51.90370 | ...91870 page 46



Backrest rail
 900.51.90070 | ...91570 page 45
 900.51.90570 | ...91970 page 45



Backrest rail
 900.51.90770 | ...92170 page 47
 900.51.90870 | ...92270 page 47



Support rail
 900.36.0...70 page 50



L-shaped support rail | with toilet roll holder
 900.22.3...70 page 51



L-shaped support rail | with toilet roll holder
 900.22.1...70 page 52



Shower grab rail
 900.35.1...70 page 53



Rail with magnetic shower head holder
 900.33M0...70 page 54



L-shaped support rail with magnetic shower head holder
 900.33M2...70 page 55



Rail with adjustable vertical support bar and shower head holder
 900.35M3...70 page 56



Rail with adjustable vertical support bar and shower head holder
 900.35M4...70 page 57





Hinged seat

900.51.20070 | ...21570 page 60
 900.51.4... | mobile page 64

☐ Wall bracket
 ☐ ■ Seat



Hinged seat

900.51.20270 | ...21770 page 61
 900.51.4... | mobile page 65

☐ Wall bracket
 ☐ ■ Seat



Hinged seat with hygiene cutout

900.51.20470 | ...21970 page 61
 900.51.4... | mobile page 65

☐ Wall bracket
 ☐ ■ Seat



Hinged seat with floor support

900.51.20170 | ...21670 page 62

☐ Wall bracket
 ☐ ■ Seat



Hinged seat with floor support

900.51.20570 | ...22070 page 63

☐ Wall bracket
 ☐ ■ Seat



Hinged seat with floor support and hygiene cutout

900.51.21470 | ...22170 page 63

☐ Wall bracket
 ☐ ■ Seat



Hinged seat with backrest

900.51.20370 | ...21870 page 68

☐ Wall bracket
 ☐ ■ Seat

System 900 | System 162 PVD Accessories





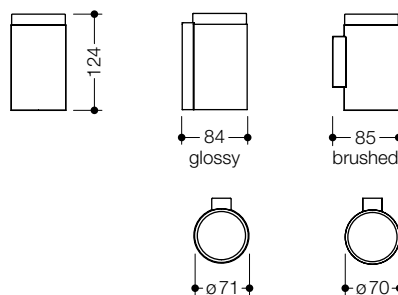
Item Number

Dimensions in mm / Specification



Holder
 Tumbler

162.04.11070
162.04.11170
162.04.11570



HEWI Tumbler with holder

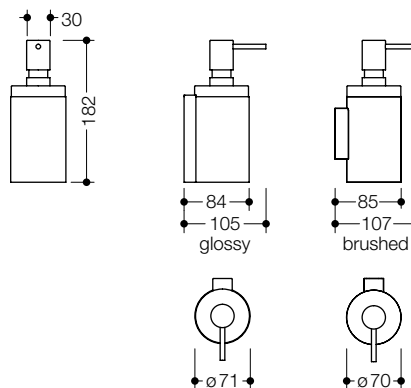
- cylindrical wall holder
- holder made of high-quality stainless steel, PVD-coated
- holder with protective film on the inside for a secure, defined position and to protect the insert from damage
- ø 71 mm, 124 mm high and 84 mm deep (glossy)
- ø 70 mm, 124 mm high and 85 mm deep (brushed)
- for wall mounting, concealed fixing
- including non-corrosive HEWI fixing material

- cylindrical tumbler made of matt white polyamide
- cylindrical tumbler made of matt black polyamide
- cylindrical tumbler made of satin finish crystal glass



Holder
 Soap dispenser

162.06.11070
162.06.11270



HEWI Soap dispenser with holder

- cylindrical wall holder
- holder made of high-quality stainless steel, PVD-coated
- holder with protective film on the inside for a secure, defined position and to protect the insert from damage
- ø 71 mm, 182 mm high and 84 mm deep, incl. pump (glossy)
- ø 70 mm, 182 mm high and 85 mm deep, incl. pump (brushed)
- capacity approx. 200 ml
- for wall mounting, concealed fixing
- including non-corrosive HEWI fixing material

- soap dispenser made of matt white polyamide, with metal pump and matt white pump head
- soap dispenser made of matt black polyamide, with metal pump and matt black pump head

- soap dispenser made of satin finish crystal glass
- with metal pump and matt white pump head
- with metal pump and matt black pump head

800.04B010
800.04.E01
67738
815.06.E01
950.06.E02
950.06.E05

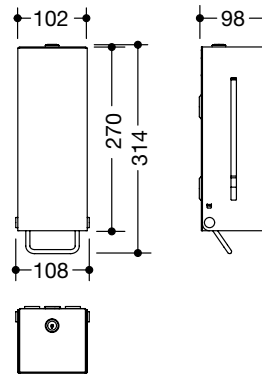
HEWI Tumbler, matt
HEWI Glass tumbler
HEWI Container for soap dispenser, polyamide matt
HEWI Glass container
HEWI Pump head, matt black
HEWI Pump head, matt white

Item Number

Dimensions in mm / Specification



900.06.00470

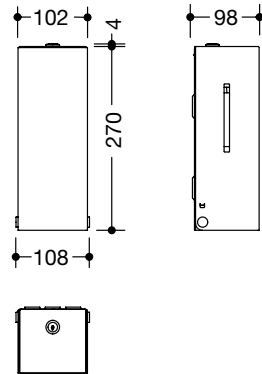


HEWI Soap dispenser

- to be filled with standard liquid soap
- with inner container for free filling, capacity 600 ml
- inner container can be removed for cleaning, side level indicator
- for wall mounting, locking system as protection against misuse
- 102 mm wide, 270 mm high and 98 mm deep
- made of high-quality stainless steel, PVD-coated
- including non-corrosive HEWI fixing material



900.06.00570



HEWI SENSORIC Soap dispenser

- to be filled with standard liquid soap
- with inner container for free filling, capacity 500 ml
- inner container can be removed for cleaning, side level indicator
- non-contact soap dispensing, with battery change indicator
- illumination of the output area when the sensor is activated (blue light)
- for wall mounting, locking system as protection against misuse
- 102 mm wide, 270 mm high and 98 mm deep, maintenance-free
- batteries (AA 1,5 V/4 pcs.) not included in delivery
- made of high-quality stainless steel, PVD-coated
- including non-corrosive HEWI fixing material

900.06.00770

HEWI SENSORIC Foam soap dispenser

- do., to be filled with standard foam soap

900.06.00870

HEWI SENSORIC Disinfectant dispenser

- do., to be filled with standard disinfectant
- disinfectant is dispensed as a spray

HEWI SENSORIC



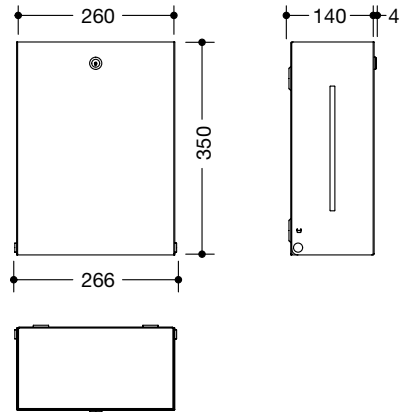
HEWI PVD-coating

- ...70 CK** brass glossy
- ...70 LP** brass brushed
- ...70 WR** nickel brushed
- ...70 EC** black chrome glossy

Detailed information about the spare parts can be found here:
www.hewi.com/en/spare-parts



900.06.00970



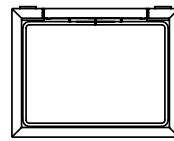
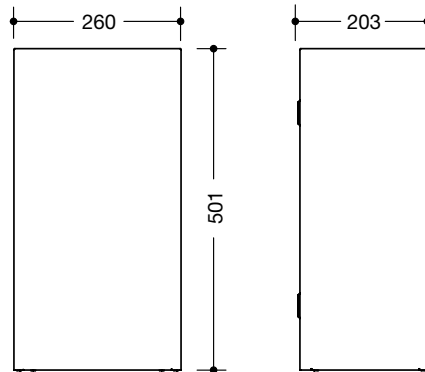
HEWI Paper towel dispenser

- to hold standard paper towels with different folds in the width 235 - 250 mm and folded length / depth of 80 - 110 mm (HEWI recommends paper towels with Z-fold)
- capacity approx. 300 - 450 paper towels
- side level indicator
- locking system as protection against misuse
- 260 mm wide, 350 mm high and 140 mm deep
- for wall mounting
- made of high-quality stainless steel, PVD-coated
- including non-corrosive HEWI fixing material



Item Number

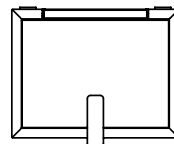
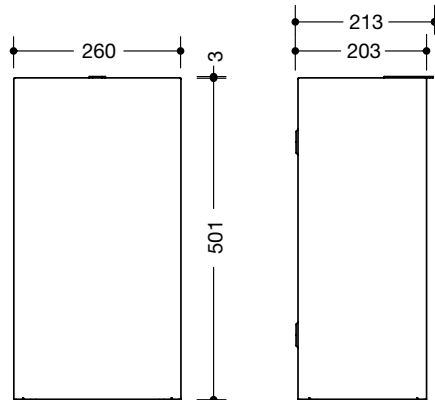
Dimensions in mm / Specification



900.05.00170

HEWI Waste paper bin

- capacity approx. 25 l
- invisible, integrated bag holder with pull-out function for easy insertion and removal of the bag
- 260 mm wide, 501 mm high and 203 mm deep
- for wall mounting
- made of high-quality stainless steel, PVD-coated
- including non-corrosive HEWI fixing material



900.05.00270

HEWI Waste paper bin

- do., with lid

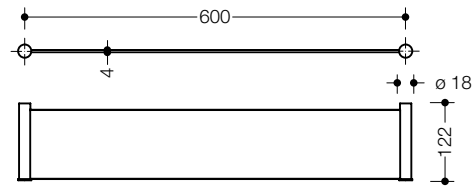
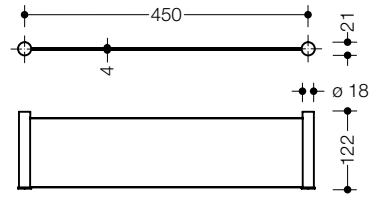


HEWI PVD-coating

- ...70 CK brass glossy
- ...70 LP brass brushed
- ...70 WR nickel brushed
- ...70 EC black chrome glossy

Item Number

Dimensions in mm / Specification

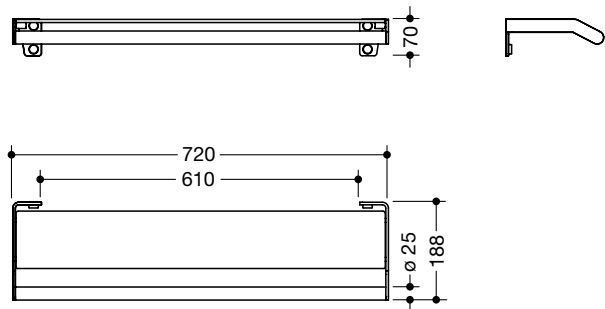


Holder
 Shelf

162.03.10570
162.03.11570

HEWI Shelf

- consisting of two holding elements and glass shelf
- holder made of high-quality stainless steel \varnothing 18 mm, PVD-coated
- shelf made of glass (4 mm), matt sandblasted underside
- 122 mm deep
- for wall mounting, concealed fixing
- not suitable for use in the shower
- including non-corrosive HEWI fixing material
- 450 mm wide (c to c)
- 600 mm wide (c to c)



Holder
 Shelf

900.03.00070

HEWI Shelf with support rail

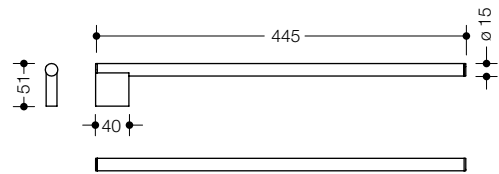
- shelf with integrated support rail at the front
- continuous mirror solution possible
- holder made of high-quality stainless steel, PVD-coated
- glass plate with anti-splinter film, white back-painted
- 720 mm wide, 70 mm high, 188 mm deep
- support rail \varnothing 25 mm
- including non-corrosive HEWI fixing material

Item Number

Dimensions in mm / Specification



900.09.00170

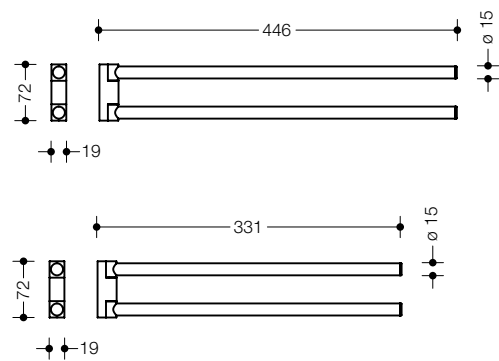


HEWI Towel rail

- towel rail with a cylindrical holding arm, fixed
- made of high-quality stainless steel, PVD-coated
- 445 mm long, 51 mm high, holding arm \varnothing 15 mm
- for wall mounting, concealed fixing
- including non-corrosive HEWI fixing material



162.09.10070
162.09.11070



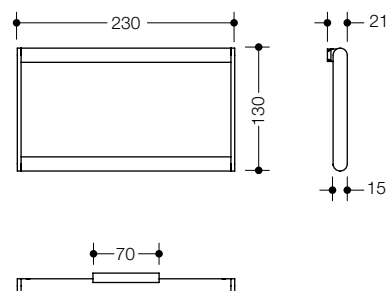
HEWI Towel rail

- towel rail with two cylindrical arms arranged above each other
- the arms can be swung to the side separately
- made of high-quality stainless steel, PVD-coated
- for wall mounting, concealed fixing
- including non-corrosive HEWI fixing material

- 446 mm long, 72 mm high, holding arms \varnothing 15 mm
- 331 mm long, 72 mm high, holding arms \varnothing 15 mm



900.09.00270



HEWI Towel ring

- closed towel ring, rectangular
- the ring can be swivelled
- made of high-quality stainless steel, PVD-coated
- 230 mm wide, 130 mm high, \varnothing 15 mm
- for wall mounting, concealed fixing
- including non-corrosive HEWI fixing material

HEWI PVD-coating

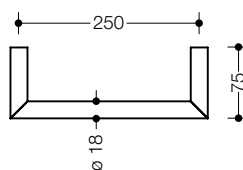
- ...70 CK brass glossy
- ...70 LP brass brushed
- ...70 WR nickel brushed
- ...70 EC black chrome glossy

Item Number

Dimensions in mm / Specification

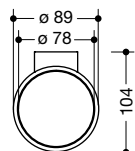
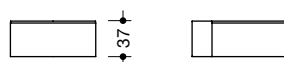


162.30.10070



HEWI Towel rail

- mitred tube
- made of high-quality stainless steel, PVD-coated
- c to c 250 mm, 75 mm deep, ϕ 18 mm
- for wall mounting, concealed fixing
- including non-corrosive HEWI fixing material



HEWI Hair dryer holder

- holder made of high-quality stainless steel, PVD-coated
- with insert to protect against damage to the hairdryer
- insert made of high-quality synthetic material
- innen 78 mm wide, 37 mm high, 104 mm deep
- for wall mounting, concealed fixing
- including non-corrosive HEWI fixing material

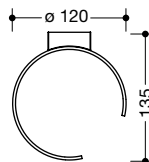
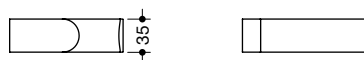


900.00.00070
900.00.00170

- insert made of matt white polyamide
- insert made of matt black polyamide



900.90.00170



HEWI Walking aid holder

- holder made of high-quality stainless steel, PVD-coated
- 120 mm wide, 35 mm high, 135 mm deep
- for wall mounting, concealed fixing
- including non-corrosive HEWI fixing material

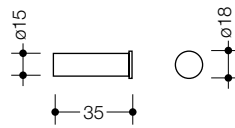


Item Number

Dimensions in mm / Specification



162.90.01070

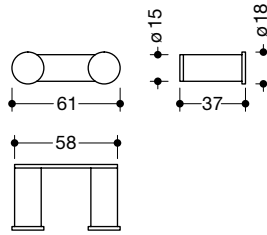


HEWI Single hook

- cylindrical hook made of high-quality stainless steel, PVD-coated
- 35 mm long, ø 15 mm
- for wall mounting, concealed fixing
- including non-corrosive HEWI fixing material



162.90.03070

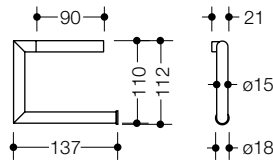


HEWI Double hook

- double hook with two cylindrical hook elements
- made of high-quality stainless steel, PVD-coated
- 61 mm wide, 18 mm high, 37 mm deep, hook parts ø 15 mm
- for wall mounting, concealed fixing
- including non-corrosive HEWI fixing material



162.21.10070

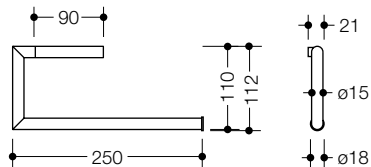


HEWI Toilet roll holder

- U-shaped holder, mitred, opened to the right
- hinged
- made of high-quality stainless steel, PVD-coated
- 137 mm wide, 110 mm high, ø 15 mm
- for wall mounting, concealed fixing
- including non-corrosive HEWI fixing material



162.21.20070



HEWI Toilet roll holder, double

- U-shaped holder, mitred, for 2 toilet rolls, opened to the right
- hinged
- made of high-quality stainless steel, PVD-coated
- 250 mm wide, 110 mm high, ø 15 mm
- for wall mounting, concealed fixing
- including non-corrosive HEWI fixing material

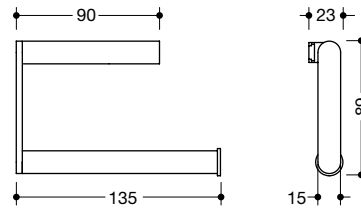


HEWI PVD-coating

- ...70 CK brass glossy
- ...70 LP brass brushed
- ...70 WR nickel brushed
- ...70 EC black chrome glossy

Item Number

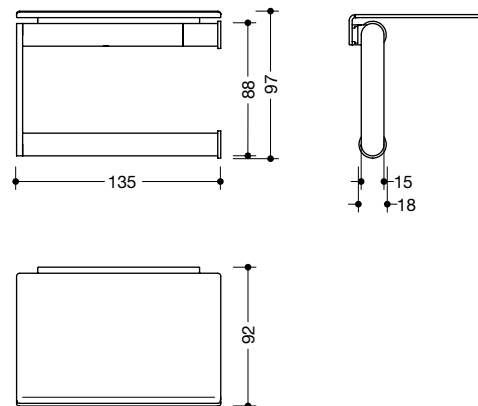
Dimensions in mm / Specification



900.21.00070

HEWI Toilet roll holder

- U-shaped holder, opened to the right
- hinged
- made of high-quality stainless steel, PVD-coated
- 135 mm wide, 89 mm high, ø 15 mm
- for wall mounting, concealed fixing
- including non-corrosive HEWI fixing material



900.21.00470

HEWI Toilet roll holder with shelf

- U-shaped holder with shelf, opened to the right
- hinged
- made of high-quality stainless steel, PVD-coated
- 135 mm wide, 97 mm high, ø 15 mm
- shelf 135 mm wide, 92 mm deep
- for wall mounting, concealed fixing
- including non-corrosive HEWI fixing material

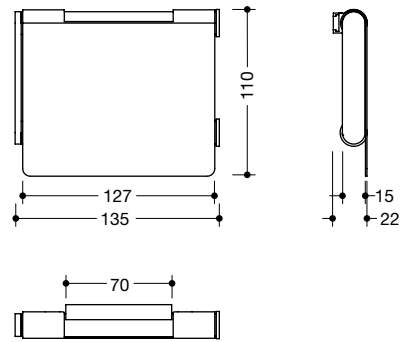


Item Number

Dimensions in mm / Specification



900.21.00570

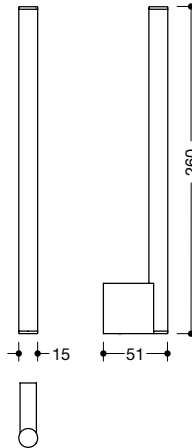


HEWI Toilet roll holder with lid

- U-shaped holder with lid, opened to the right
- hinged
- made of high-quality stainless steel, PVD-coated
- 135 mm wide, 110 mm high, \varnothing 15 mm
- for wall mounting, concealed fixing
- including non-corrosive HEWI fixing material



900.21.00670

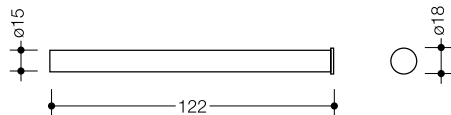


HEWI Spare roll holder, double

- cylindrical spare roll holder for holding two toilet rolls
- made of high-quality stainless steel, PVD-coated
- 260 mm long, 51 mm deep, \varnothing 15 mm
- for wall mounting, concealed fixing
- including non-corrosive HEWI fixing material



162.21.30070



HEWI Spare roll holder

- cylindrical holder
- made of high-quality stainless steel, PVD-coated
- 122 mm long, \varnothing 15 mm
- for wall mounting, concealed fixing
- including non-corrosive HEWI fixing material (BM1221, see online catalogue)



HEWI PVD-coating

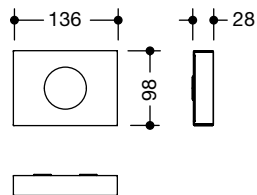
- ...70 CK brass glossy
- ...70 LP brass brushed
- ...70 WR nickel brushed
- ...70 EC black chrome glossy

Item Number

Dimensions in mm / Specification



900.06.01170

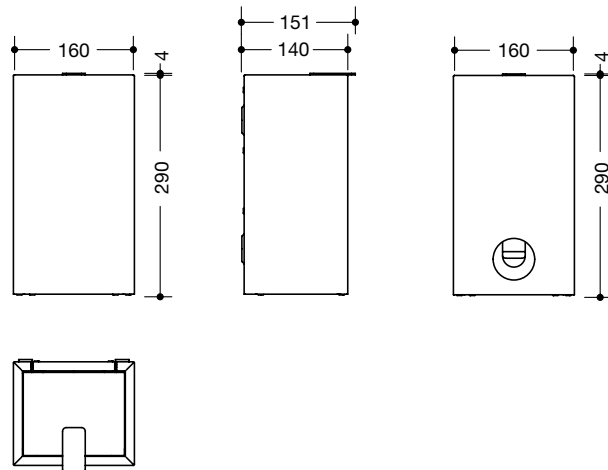


HEWI Hygiene bag dispenser

- holds and dispenses proprietary hygiene bags made of synthetic material (max. package size L 130 x B 90 x H 20 mm)
- for wall mounting
- 136 mm wide, 98 mm high and 28 mm deep
- made of high-quality stainless steel, PVD-coated
- including non-corrosive HEWI fixing material



900.05.00570



HEWI Hygiene waste bin

- capacity approx. 6 l, for wall mounting
- invisible, integrated bag holder with pull-out function for easy insertion and removal of the bag
- lid with lifting flap
- 160 mm wide, 290 mm high and 140 mm deep
- made of high-quality stainless steel, PVD-coated
- including non-corrosive HEWI fixing material



900.05.00670

HEWI Hygiene combination

- do., with integrated holder for standard hygiene bags made of synthetic material (max. package size L 130 x B 90 x H 20 mm)

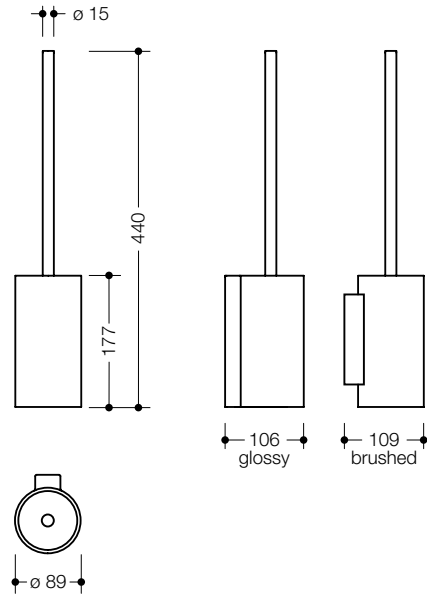


Item Number

Dimensions in mm / Specification



162.20.10070



HEWI Toilet brush unit

- brush head can be replaced due to bayonet fixing
- inner container can be removed for cleaning
- made of high-quality stainless steel, PVD-coated
- $\varnothing 89$ mm, 440 mm high, 106 mm deep (glossy)
- $\varnothing 89$ mm, 440 mm high, 109 mm deep (brushed)
- for wall mounting, concealed fixing
- including non-corrosive HEWI fixing material

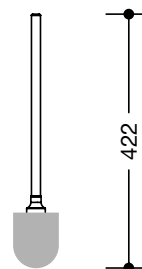


162.20.E01

HEWI Insert for toilet brush unit



900.20.01070



HEWI Toilet brush

- brush handle with replaceable brush head
- brush handle made of high-quality stainless steel, PVD-coated
- brush head easily replaceable by bayonet fixing
- 422 mm long, $\varnothing 76$ mm



921050
921051
921052

HEWI Brush head, packing unit 1
HEWI Brush head, packing unit 5
HEWI Brush head, packing unit 25

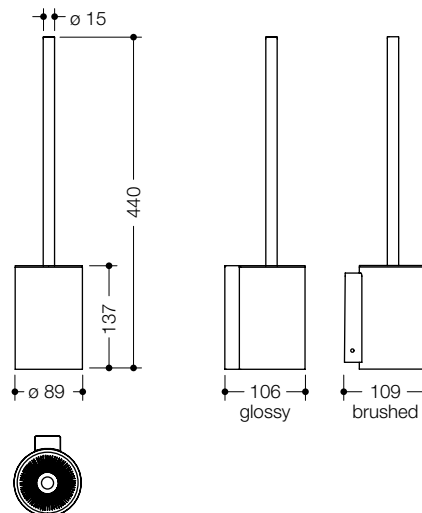
HEWI PVD-coating

- ...70 CK** brass glossy
- ...70 LP** brass brushed
- ...70 WR** nickel brushed
- ...70 EC** black chrome glossy

Detailed information about the spare parts can be found here:
www.hewi.com/en/spare-parts

Item Number

Dimensions in mm / Specification



900.20.00070

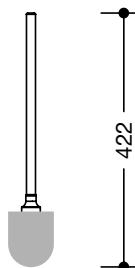
HEWI Toilet brush unit

- consisting of holder, toilet brush container and toilet brush
- brush head can be replaced due to bayonet fixing
- black inner container can be removed for cleaning
- made of high-quality stainless steel, PVD-coated
- $\varnothing 89$ mm, 440 mm high, 106 mm deep (glossy)
- $\varnothing 89$ mm, 440 mm high, 109 mm deep (brushed)
- for wall mounting, concealed fixing
- including non-corrosive HEWI fixing material



66823

HEWI Insert for toilet brush unit



900.20.01070

HEWI Toilet brush

- brush handle with replaceable brush head
- brush handle made of high-quality stainless steel, PVD-coated
- brush head easily replaceable by bayonet fixing
- 422 mm long, $\varnothing 76$ mm

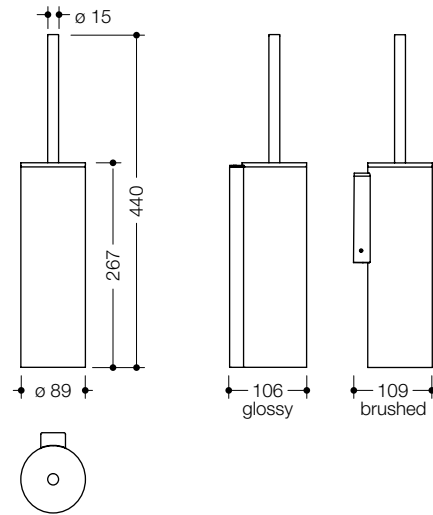
921050
921051
921052

- HEWI Brush head, packing unit 1**
- HEWI Brush head, packing unit 5**
- HEWI Brush head, packing unit 25**



Item Number

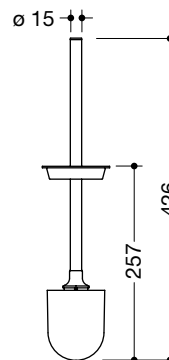
Dimensions in mm / Specification



900.20.00170

HEWI Toilet brush unit with lid

- consisting of holder, toilet brush container and toilet brush
- brush head can be replaced due to bayonet fixing
- inner container can be removed for cleaning
- made of high-quality stainless steel, PVD-coated
- ø 89 mm, 440 mm high, 106 mm deep (glossy)
- ø 89 mm, 440 mm high, 109 mm deep (brushed)
- for wall mounting, concealed fixing
- including non-corrosive HEWI fixing material



900.20.02070

HEWI Toilet brush

- toilet brush with lid and replaceable brush head
- brush handle and lid made of high-quality stainless steel, PVD-coated
- brush head easily replaceable by bayonet fixing
- brush head made of black polyamide with bristles in anthracite grey
- 426 mm long, brush head ø 76 mm

921050
921051
921052

HEWI Brush head, packing unit 1
HEWI Brush head, packing unit 5
HEWI Brush head, packing unit 25



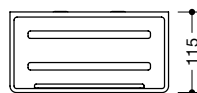
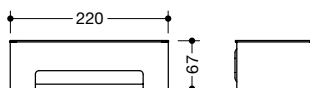
HEWI PVD-coating

- ...70 CK brass glossy
- ...70 LP brass brushed
- ...70 WR nickel brushed
- ...70 EC black chrome glossy

Detailed information about the spare parts can be found here:
www.hewi.com/en/spare-parts

Item Number

Dimensions in mm / Specification



Holder

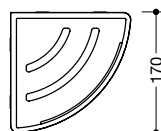
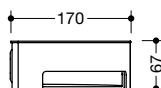
 Insert

900.03.00170
900.03.00370

HEWI Shower basket

- made of high-quality stainless steel, PVD-coated
- for wall mounting
- 220 mm wide, 67 mm high and 115 mm deep
- including non-corrosive HEWI fixing material

- insert made of high-quality white synthetic material
- insert made of high-quality black synthetic material



Holder

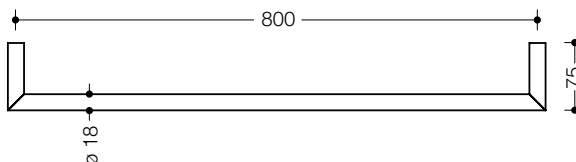
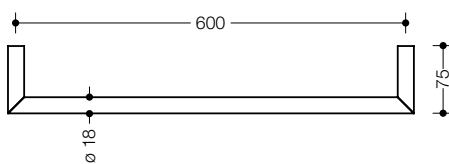
 Insert

900.03.00270
900.03.00470

HEWI Shower basket

- made of high-quality stainless steel, PVD-coated
- for wall mounting
- 67 mm high, side lengths 170 mm
- including non-corrosive HEWI fixing material

- insert made of high-quality white synthetic material
- insert made of high-quality black synthetic material



162.30.20070
162.30.20170

HEWI Bath towel rail

- mitred tube
- made of high-quality stainless steel, PVD-coated
- 75 mm deep, ø 18 mm
- for wall mounting, concealed fixing
- including non-corrosive HEWI fixing material

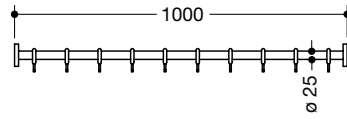
- c to c 600 mm
- c to c 800 mm

Item Number

Dimensions in mm / Specification



900.34.40070



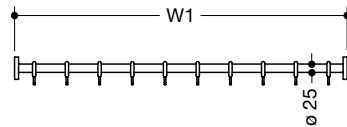
HEWI Shower curtain rail

- made of stainless steel, PVD-coated
- length 1000 mm, with 10 curtain rings made of white POM
- rail \varnothing 25 mm, roses \varnothing 70 mm
- can be shortened at the ends to 200 mm on site
- recommended curtain width 1200 mm
- including non-corrosive and tested HEWI fixing material for wall mounting, additional sealing of the drilling points possible with sealing tape (included in delivery)



Curtain rings

900.34.40S70

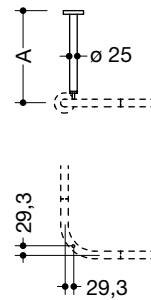


HEWI Shower curtain rail, special length

- do., length to order from 400 mm to 2000 mm
- with suitable number of curtain rings



900.34.00070
900.34.00170
900.34.00270
900.34.00370
900.34.00S70
900.34.01S70



HEWI Ceiling support

- made of high-quality stainless steel, PVD-coated
- rail \varnothing 25 mm, rose \varnothing 70 mm
- can be shortened at the rose to 200 mm on site
- fixed onto the ceiling with rose
- including non-corrosive and tested HEWI fixing material
- additional sealing of the drilling points possible with sealing tape (included in delivery)

A = 300 mm (curtain rail - ceiling axle)
 A = 400 mm (curtain rail - ceiling axle)
 A = 500 mm (curtain rail - ceiling axle)
 A = 600 mm (curtain rail - ceiling axle)
 special length, A = min. 150 mm - 299 mm (non-shortenable)
 special length, A = 301 mm - max. 1500 mm

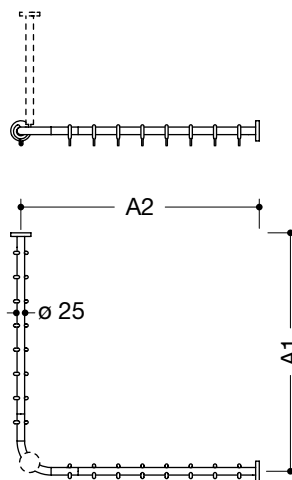


HEWI PVD-coating

- ...70 CK brass glossy
- ...70 LP brass brushed
- ...70 WR nickel brushed
- ...70 EC black chrome glossy

921056
900.34.0...

HEWI Curtain rings, packing unit 5 pcs., white
HEWI Shower curtain see online catalogue



HEWI Shower curtain rail

- rails made of high-quality stainless steel, PVD-coated
- \varnothing 25 mm, roses \varnothing 70 mm
- curtain rings white
- can be shortened at the ends to 320 mm on site
- fixing with roses to wall and ceiling, ceiling support required
- including non-corrosive and tested HEWI fixing material
- additional sealing of the drilling points possible with sealing tape (included in delivery)

900.34.10070

for shower tray 800 x 800 mm

- c to c 787 x 787 mm, with 16 curtain rings
- recommended HEWI standard width (F) 2300 mm

900.34.10170

for shower tray 900 x 900 mm

- c to c 887 x 887 mm, with 18 curtain rings
- recommended HEWI standard width (F) 2500 mm

900.34.10270

for shower tray 1000 x 1000 mm

- c to c 987 x 987 mm, with 20 curtain rings
- recommended HEWI standard width (F) 2900 mm

900.34.10370

for shower tray 1200 x 1200 mm

- c to c 1187 x 1187 mm, with 24 curtain rings
- recommended HEWI standard width (F) 3500 mm

900.34.10470

for shower tray 1500 x 1500 mm

- c to c 1487 x 1487 mm, with 28 curtain rings
- recommended HEWI standard width (F) 4000 mm



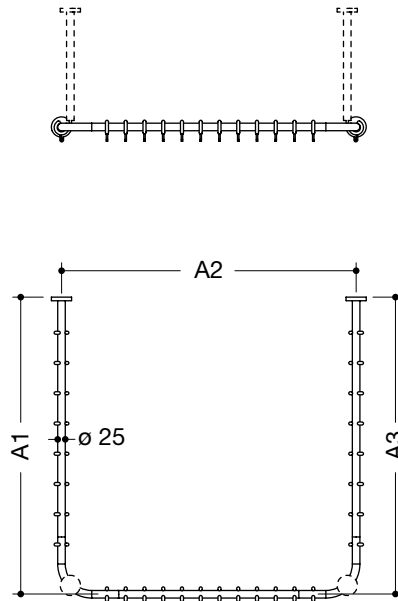
Curtain rings

921056
900.34.0...

HEWI Curtain rings, packing unit 5 pcs., white
HEWI Ceiling support to be ordered separately, see page 33
HEWI Shower curtain see online catalogue

Item Number

Dimensions in mm / Specification



HEWI Shower curtain rail

- rails made of high-quality stainless steel, PVD-coated
- \varnothing 25 mm, roses \varnothing 70 mm
- curtain rings white
- can be shortened at the ends to 320 mm on site, middle rail not shortenable
- fixing with roses to wall and ceiling
- two ceiling supports required (max. 600 mm long)
- including non-corrosive and tested HEWI fixing material
- additional sealing of the drilling points possible with sealing tape (included in delivery)

900.34.30070

for shower tray 1000 x 1000 mm

- c to c 987 x 975 x 987 mm, with 28 curtain rings
- recommended HEWI standard width (F) 4000 mm

900.34.30170

for shower tray 1200 x 1200 mm

- c to c 1187 x 1175 x 1187 mm, with 34 curtain rings
- recommended HEWI standard width (F) 5000 mm

900.34.30270

for shower tray 1500 x 1500 mm

- c to c 1487 x 1475 x 1487 mm, with 46 curtain rings
- recommended HEWI standard width (F) 2 x 3000 mm



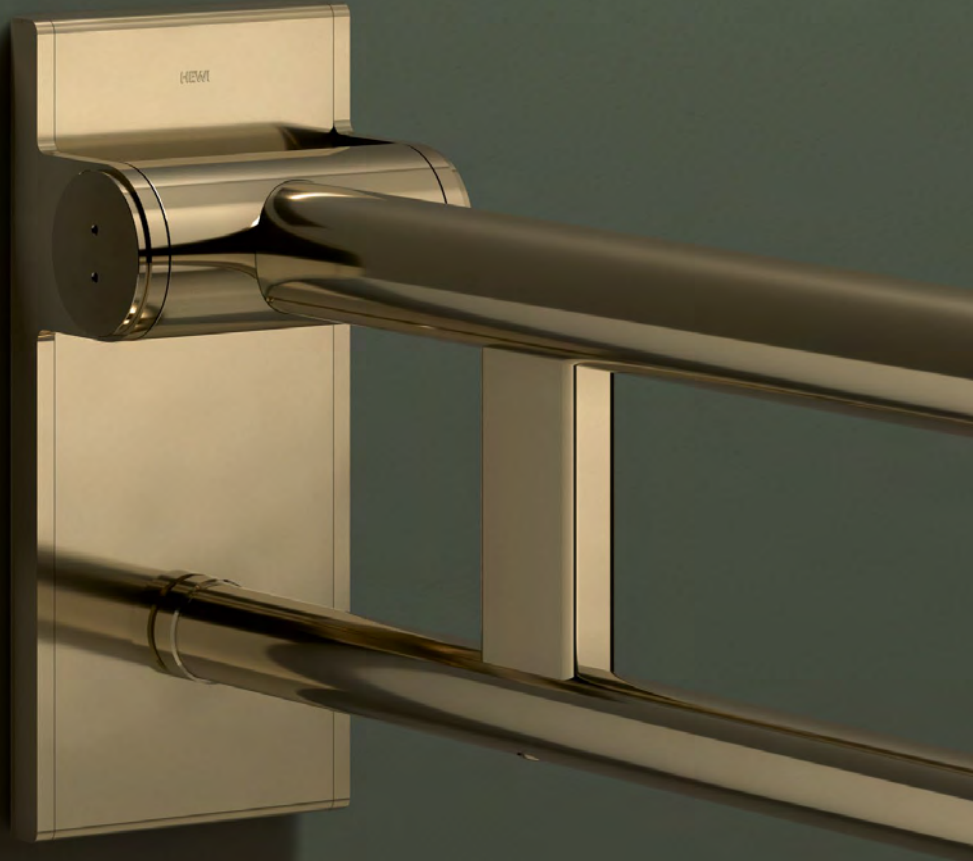
Curtain rings

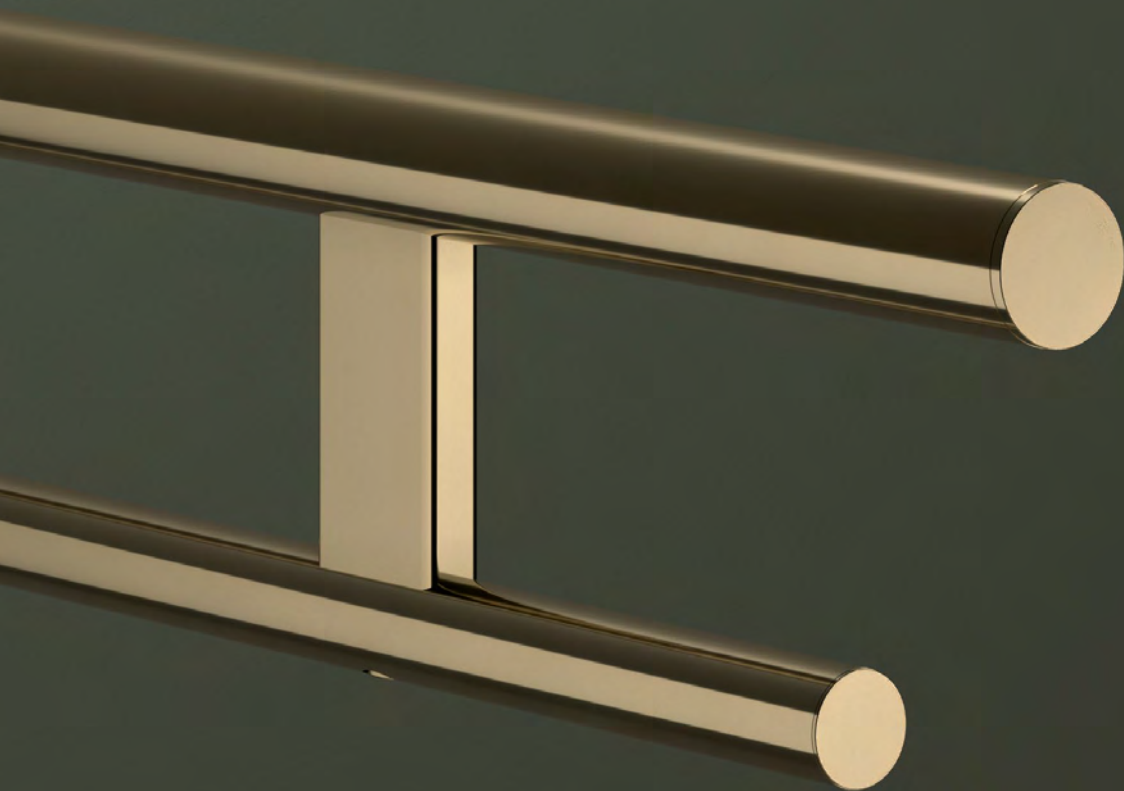
HEWI PVD-coating

- ...70 CK** brass glossy
- ...70 LP** brass brushed
- ...70 WR** nickel brushed
- ...70 EC** black chrome glossy

Detailed information about the spare parts can be found here:
www.hewi.com/en/spare-parts

System 900 PVD Support



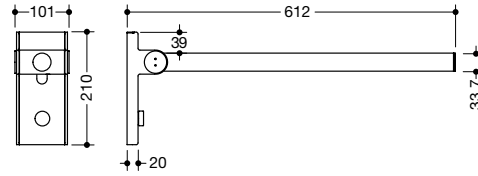
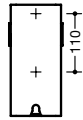


Item Number

Dimensions in mm / Specification



Drill hole



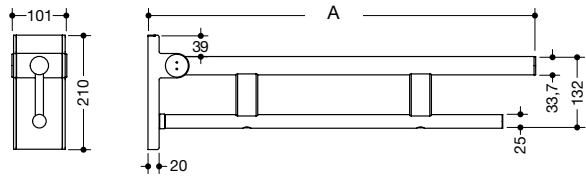
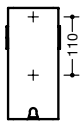
900.50.10070

HEWI Hinged support rail Mono, Design A, variant 600

- with one horizontal, round gripping level
- can be folded upwards and, with friction device, downwards
- maintenance free, permanently smooth and easy moving joint, preset in the factory
- from 45° tilt the hinged support rail lowers automatically
- in the upper position (tilt < 45°) a defined friction force secures the hinged support rail against accidental lowering/release
- a defined stop prevents the hinged support rail from hitting the wall
- projection 612 mm, 210 mm high and 101 mm wide, rail ø 33,7 mm
- made of high-quality stainless steel, PVD-coated, loading capacity 100 kg
- for wall mounting with non-corrosive and tested HEWI fixing material for different wall constructions (to be ordered separately)
- incl. sealing tape for sealing the fixing points
- fulfils highest cleaning product resistance and hygiene requirements
- fulfils the requirements according to DIN 18040



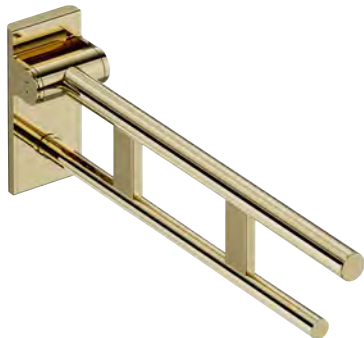
Drill hole



900.50....70

HEWI Hinged support rail Duo, Design A

- two parallel, round gripping levels arranged on top of each other
- can be folded upwards and, with friction device, downwards
- maintenance free, permanently smooth and easy moving joint, preset in the factory
- from 45° tilt the hinged support rail lowers automatically
- in the upper position (tilt < 45°) a defined friction force secures the hinged support rail against accidental lowering/release
- a defined stop prevents the hinged support rail from hitting the wall
- maximum product stiffness increases stability and gives the user a secure grip feeling
- 210 mm high and 101 mm wide
- top rail ø 33,7 mm, bottom rail ø 25 mm
- made of high-quality stainless steel, PVD-coated, loading capacity 100 kg
- for wall mounting with non-corrosive and tested HEWI fixing material for different wall constructions (to be ordered separately)
- incl. sealing tape for sealing the fixing points
- fulfils highest cleaning product resistance and hygiene requirements
- floor supports 900.50.02070 and 900.50.02170 can be retrofitted
- fulfils the requirements according to DIN 18040, ÖNORM B 1600/1601 and SIA 500



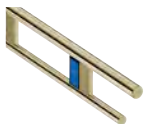
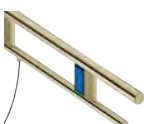
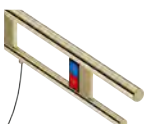




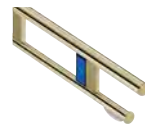
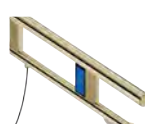
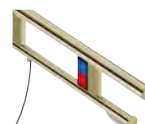
All variants asee right

HEWI Fixing material BM10.2 to BM18.2 to be ordered separately
see page 46





HINGED SUPPORT RAIL DUO, DESIGN A

WITH TOILET ROLL HOLDER

Function	Version (seen from user's view)	Variant	Wall plate Design A  Stainless steel PVD-coated
		600 (A = 612 mm)	900.50.10170
		700 (A = 712 mm)	900.50.10270
		750 (A = 762 mm)	900.50.10370
		850 (A = 862 mm)	900.50.10470
		900 (A = 912 mm)	900.50.10570
Toilet flushing solution (radio) 	left	700 (A = 712 mm)	900.50.11870
		750 (A = 762 mm)	900.50.11970
		850 (A = 862 mm)	900.50.12070
		900 (A = 912 mm)	900.50.12170
	right	700 (A = 712 mm)	900.50.12270
		750 (A = 762 mm)	900.50.12370
		850 (A = 862 mm)	900.50.12470
		900 (A = 912 mm)	900.50.12570
Toilet flushing solution (model E) 	left	700 (A = 712 mm)	900.50.14270
		750 (A = 762 mm)	900.50.14370
		850 (A = 862 mm)	900.50.14470
		900 (A = 912 mm)	900.50.14570
	right	700 (A = 712 mm)	900.50.14670
		750 (A = 762 mm)	900.50.14770
		850 (A = 862 mm)	900.50.14870
		900 (A = 912 mm)	900.50.14970
Toilet flushing solution/function button (model E) 	left	700 (A = 712 mm)	900.50.15070
		750 (A = 762 mm)	900.50.15170
		850 (A = 862 mm)	900.50.15270
		900 (A = 912 mm)	900.50.15370
	right	700 (A = 712 mm)	900.50.15470
		750 (A = 762 mm)	900.50.15570
		850 (A = 862 mm)	900.50.15670
		900 (A = 912 mm)	900.50.15770

Function	Wall plate Design A  Stainless steel PVD-coated
Toilet roll holder 	900.50.10670
	900.50.10770
	900.50.10870
	900.50.10970
Toilet roll holder and toilet flushing solution (radio) 	900.50.11070
	900.50.11170
	900.50.11270
	900.50.11370
	900.50.11470
	900.50.11570
	900.50.11670
	900.50.11770
Toilet roll holder and toilet flushing solution (model E) 	900.50.12670
	900.50.12770
	900.50.12870
	900.50.12970
	900.50.13070
	900.50.13170
	900.50.13270
	900.50.13370
Toilet roll holder and toilet flushing solution/function button (model E) 	900.50.13470
	900.50.13570
	900.50.13670
	900.50.13770
	900.50.13870
	900.50.13970
	900.50.14070
	900.50.14170

HEWI PVD-coating

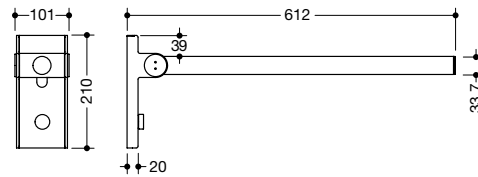
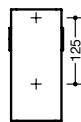
-  ...70 CK brass glossy
-  ...70 LP brass brushed
-  ...70 WR nickel brushed
-  ...70 EC black chrome glossy

Item Number

Dimensions in mm / Specification



Drill hole



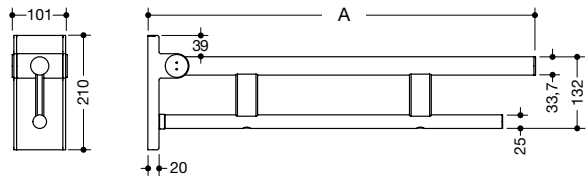
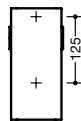
900.50.40070

HEWI Mobile hinged support rail Mono, Design A

- with one horizontal, round gripping level
- can be folded upwards and, with friction device, downwards
- maintenance free, permanently smooth and easy moving joint, preset in the factory
- from 45° tilt the hinged support rail lowers automatically
- in the upper position (tilt < 45°) a defined friction force secures the hinged support rail against accidental lowering/release
- a defined stop prevents the hinged support rail from hitting the wall
- made of high-quality stainless steel, PVD-coated, for mobile use, loading capacity 100 kg
- for easy and flexible retrofitting on pre-assembled HEWI mounting plate (900.50.00170, to be ordered separately)
- toolless and quick installation by simple attachment of the mobile hinged support rail, additionally secured with fastening screw
- projection 612 mm, 210 mm high and 101 mm wide, rail ø 33,7 mm
- sealing tape for sealing the fixing points is included in the scope of supply of the mounting plate
- fulfils the requirements according to DIN 18040



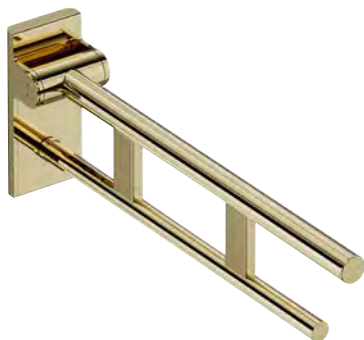
Drill hole



900.50.4...70

HEWI Mobile hinged support rail Duo, Design A

- two parallel, round gripping levels arranged on top of each other
- can be folded upwards and, with friction device, downwards
- maintenance free, permanently smooth and easy moving joint, preset in the factory
- from 45° tilt the hinged support rail lowers automatically
- in the upper position (tilt < 45°) a defined friction force secures the hinged support rail against accidental lowering/release
- a defined stop prevents the hinged support rail from hitting the wall
- maximum product stiffness increases stability and gives the user a secure grip feeling
- made of high-quality stainless steel, PVD-coated, for mobile use, loading capacity 100 kg
- for easy and flexible retrofitting on pre-assembled HEWI mounting plate (900.50.00170, to be ordered separately)
- toolless and quick installation by simple attachment of the mobile hinged support rail, additionally secured with fastening screw
- 210 mm high and 101 mm wide
- top rail ø 33,7 mm, bottom rail ø 25 mm
- sealing tape for sealing the fixing points is included in the scope of supply of the mounting plate
- floor supports 900.50.02070 and 900.50.02170 can be retrofitted
- fulfils the requirements according to ÖNORM B 1600/1601 and SIA 500



All variants asee right

HEWI Fixing material BM10.2 to BM18.2 to be ordered separately

see page 46


HEWI Mounting plate, cover see pages 42, 43

Ordering aid for mobile hinged support rails see online catalogue

MOBILE HINGED SUPPORT RAIL DUO, DESIGN A

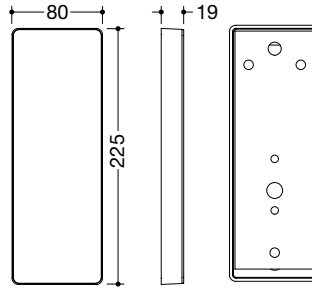
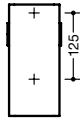
Function	Version (seen from user's view)	Variant	Wall plate Design A  Stainless steel PVD-coated
		600 (A = 612 mm)	900.50.40170
		700 (A = 712 mm)	900.50.40270
		750 (A = 762 mm)	900.50.40370
		850 (A = 862 mm)	900.50.40470
		900 (A = 912 mm)	900.50.40570
		700 (A = 712 mm)	900.50.40670
		750 (A = 762 mm)	900.50.40770
		850 (A = 862 mm)	900.50.40870
		900 (A = 912 mm)	900.50.40970
	left	700 (A = 712 mm)	900.50.41870
		750 (A = 762 mm)	900.50.41970
		850 (A = 862 mm)	900.50.42070
		900 (A = 912 mm)	900.50.42170
	right	700 (A = 712 mm)	900.50.42270
		750 (A = 762 mm)	900.50.42370
		850 (A = 862 mm)	900.50.42470
		900 (A = 912 mm)	900.50.42570
	left	700 (A = 712 mm)	900.50.41070
		750 (A = 762 mm)	900.50.41170
		850 (A = 862 mm)	900.50.41270
		900 (A = 912 mm)	900.50.41370
	right	700 (A = 712 mm)	900.50.41470
		750 (A = 762 mm)	900.50.41570
		850 (A = 862 mm)	900.50.41670
		900 (A = 912 mm)	900.50.41770

HEWI PVD-coating

-  ...70 CK brass glossy
-  ...70 LP brass brushed
-  ...70 WR nickel brushed
-  ...70 EC black chrome glossy



Drill hole



HEWI Mounting plate with cover

- rectangular mounting plate with matching rectangular cover
- to hold mobile hinged support rails 900.50.4...70
- 80 mm wide, 225 mm high, 19 mm deep
- mounting plate made of high-quality stainless steel, PVD-coated
- face plate of the cover made of high-quality stainless steel
- for wall-mounting with non-corrosive and tested HEWI fixing material for different wall constructions (to be ordered separately)
- incl. sealing tape for sealing the fixing points

900.50.00370

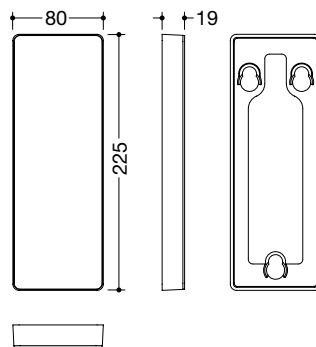
- face plate powder-coated in HEWI colour AS (matt white) with frame made of matt white polyamide

900.50.00570

- face plate powder-coated in HEWI colour CV (matt black) with frame made of matt black polyamide

- Face plate
- Frame
- Mounting plate

HEWI Fixing material see below



900.50.00260

HEWI Cover for mounting plate

- for cover of the mounting plate by simple replacement
- 80 mm wide, 225 mm high, 19 mm deep
- face plate made of high-quality stainless steel, powder-coated in HEWI colour CV (matt black) with frame made of matt black polyamide or powder-coated in HEWI colour AS (matt white) with frame made of matt white polyamide

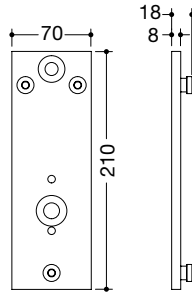
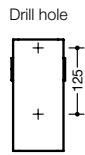


HEWI Fixing material BM10.2 to BM18.2 to be ordered separately
see page 46

Ordering aid for mobile hinged support rails see online catalogue

Item Number

Dimensions in mm / Specification



900.50.00170

HEWI Mounting plate

- to hold and fix the mobile hinged support rails 900.50.4...70
- made of high-quality stainless steel, PVD-coated
- 70 mm wide, 210 mm high, 18 mm deep
- for wall-mounting with non-corrosive and tested HEWI fixing material for different wall constructions (to be ordered separately)
- incl. sealing tape for sealing the fixing points



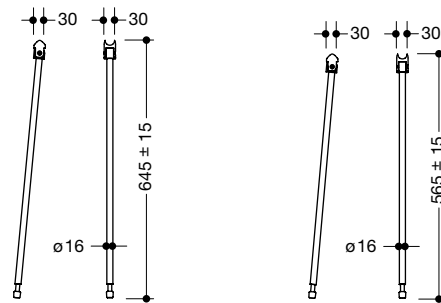
HEWI Fixing material see below



950.50.013

HEWI Protection and storage bag

- for storing the mobile hinged support rails 900.50...
- made of high-quality, tear-resistant white synthetic material sheeting
- high-quality fleece lining on the inside to protect the surfaces of the hinged support rails
- 1035 mm high, 335 mm wide
- with pull-cord for closing



900.50.02070

HEWI Floor support

- for retrofitting on hinged support rails Duo 900.50...70
- height adjustment within +/- 15 mm range possible
- made of high-quality stainless steel, PVD-coated

- fulfils height adjustment requirements according to DIN 18040
- vertical length 645 mm, for mounting height 760 mm

900.50.02170

- vertical length 565 mm, for mounting height 680 mm

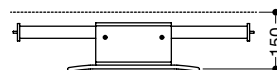
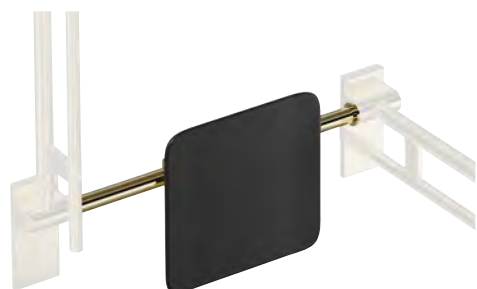
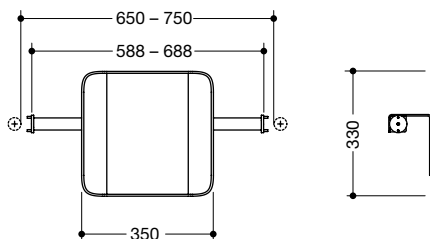
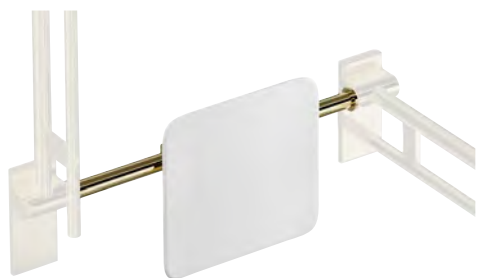


HEWI PVD-coating

- ...70 CK brass glossy
- ...70 LP brass brushed
- ...70 WR nickel brushed
- ...70 EC black chrome glossy

HEWI Fixing material BM10.2 to BM18.2 to be ordered separately
see page 46





HEWI Backrest rail (for Design A)

- backrest with fixing rails on both sides
- mounting with hinged support rails System 900, Design A
- 330 mm high and 150 mm deep, backrest 350 mm wide
- rails \varnothing 32 mm, tube thickness 2 mm
- c to c from 588 to 688 mm (clear dimension between the rails of the hinged support rails 650-750 mm) adjustable on site
- connection made of high-quality stainless steel, PVD-coated
- fulfils the requirements acc. to DIN 18040 and ÖNORM B 1600/1601
- including non-corrosive and tested HEWI fixing material

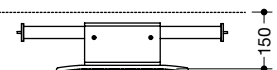
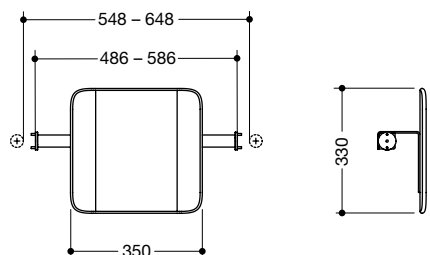
- backrest made of white synthetic material
- backrest made of black synthetic material

The HEWI backrest rail 900.51.90170 can only be installed in combination with hinged support rails System 900 Design A.

If the backrest rail is to be mounted individually, use version 900.51.90070 with roses.

900.51.90170
900.51.91670

■ ■ ■ ■ Rails
■ ■ Backrest



**HEWI Backrest rail (for Design A)
especially for UK**

- do., c to c from 486 to 586 mm (clear dimension between the rails of the hinged support rails 548-648 mm) adjustable on site
- fulfils the requirements acc. to BS-Standard BS 8300:2009+A1:2010/ Doc M

- backrest made of white synthetic material
- backrest made of black synthetic material

900.51.90670
900.51.92070

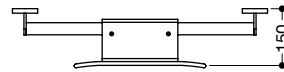
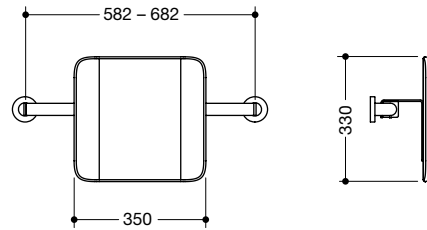
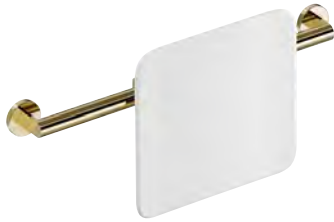
■ ■ ■ ■ Rails
■ ■ Backrest

HEWI Fixing material BM10.2 to BM18.2 to be ordered separately
see page 46

HEWI Mounting plate, cover see page 42

Item Number

Dimensions in mm / Specification

**HEWI Backrest rail (for Design A and B)**

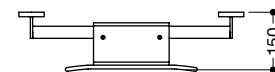
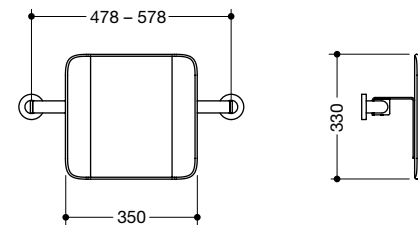
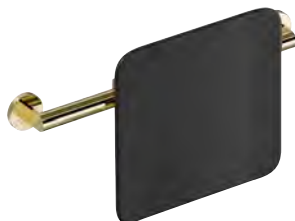
- backrest with fixing rails on both sides and roses for wall mounting
- 330 mm high and 150 mm deep, backrest 350 mm wide
- rails \varnothing 32 mm, tube thickness 2 mm
- c to c from 582 to 682 mm adjustable on site
- wall connection made of high-quality stainless steel, PVD-coated
- fulfils the requirements acc. to DIN 18040 and ÖNORM B 1600/1601 including non-corrosive and tested HEWI fixing material

- backrest made of white synthetic material
- backrest made of black synthetic material

Rails

 Backrest

900.51.90070
900.51.91570

**HEWI Backrest rail (for Design A and B)**

- backrest with fixing rails on both sides and roses for wall mounting
- 330 mm high and 150 mm deep, backrest 350 mm wide
- rails \varnothing 32 mm, tube thickness 2 mm
- c to c from 478 to 578 mm adjustable on site
- wall connection made of high-quality stainless steel, PVD-coated
- fulfils the requirements acc. to DIN 18040 and ÖNORM B 1600/1601
- fulfils the requirements acc. to BS-Standard BS 8300:2009+A1:2010/Doc M
- including non-corrosive and tested HEWI fixing material

- backrest made of white synthetic material
- backrest made of black synthetic material

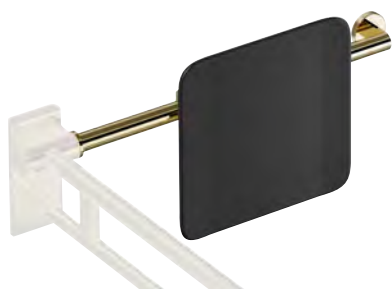
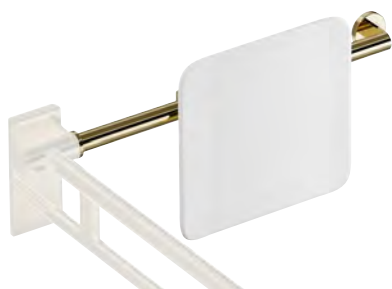
Rails

 Backrest

900.51.90570
900.51.91970

HEWI PVD-coating

- ...70 CK** brass glossy
- ...70 LP** brass brushed
- ...70 WR** nickel brushed
- ...70 EC** black chrome glossy

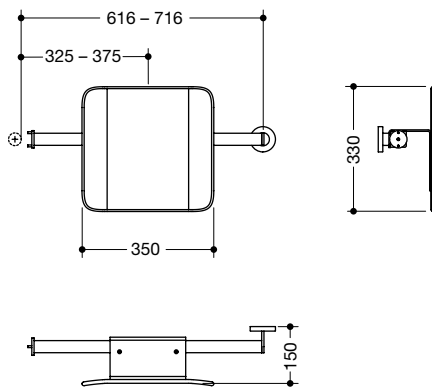


Version right

900.51.90370
900.51.91870

900.51.90270
900.51.91770

■ ■ ■ ■ Rails
■ ■ Backrest



HEWI Backrest rail (for Design A)

- backrest with fixing rails on both sides
- one-sided wall mounting with roses
- one-sided mounting with hinged support rails System 900
- 330 mm high and 150 mm deep, backrest 350 mm wide
- rails ø 32 mm, tube thickness 2 mm
- c to c adjustable on site (clear dimension between top rail of hinged support rail and c of wall fixing 616-716 mm)
- fulfils the requirements acc. to DIN 18040 and ÖNORM B 1600/1601
- including non-corrosive and tested HEWI fixing material

Version right (from users point of view)

- rail right, rose left
- backrest made of white synthetic material
- backrest made of black synthetic material

Version left (from users point of view)

- rail left, rose right
- backrest made of white synthetic material
- backrest made of black synthetic material

HEWI Fixing material to be ordered separately

for fixing on walls made of:

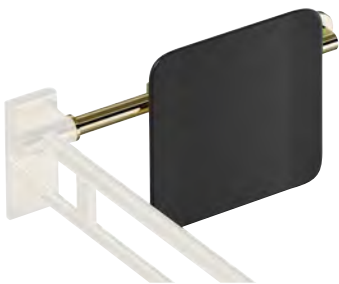
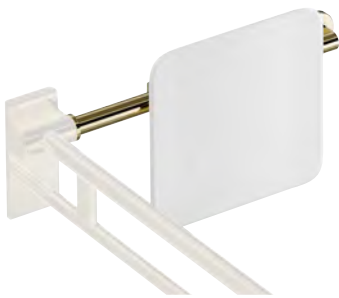
BM17.2
BM10.2
BM11.2
BM12.2
BM13.2
BM18.2

concrete > C20/C25, national technical approval number: ETA-11/0493
concrete > C20/C25
autoclaved aerated concrete (> P2)
lightweight walls with rear lining made of laminated timber boards ...
lightweight walls with integrated steel plates ...
hollow concrete block, vertically perforated bricks, solid bricks, ..., national technical approval number: ETA-13/1036

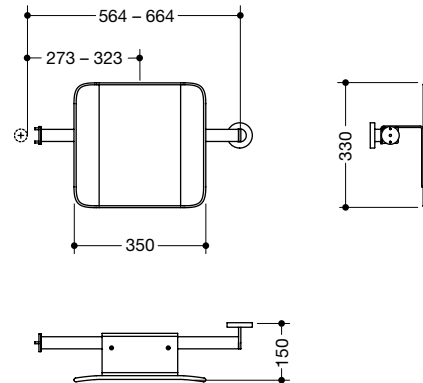
HEWI Mounting plate, cover see page 42

Item Number

Dimensions in mm / Specification



Version right



HEWI Backrest rail (for Design A) especially for UK

- backrest with fixing rails on both sides
- one-sided wall mounting with roses
- one-sided mounting with hinged support rails System 900
- 330 mm high and 150 mm deep, backrest 350 mm wide
- rails ø 32 mm, tube thickness 2 mm
- c to c adjustable on site (clear dimension between top rail of hinged support rail and c to c of wall fixing 564-664 mm)
- connection made of high-quality stainless steel, PVD-coated
- fulfils the requirements acc. to BS-Standard BS 8300:2009+A1:2010/Doc M
- including non-corrosive and tested HEWI fixing material

Version right (from users point of view)

- rail right, rose left
- backrest made of white synthetic material
- backrest made of black synthetic material

Version left (from users point of view)

- rail left, rose right
- backrest made of white synthetic material
- backrest made of black synthetic material

900.51.90870
900.51.92270

900.51.90770
900.51.92170

- ■ ■ Rails
- ■ Backrest

HEWI Fixing material to be ordered separately

for fixing on walls made of:

BM17.2
BM10.2
BM11.2
BM12.2
BM13.2
BM18.2

- concrete > C20/C25, national technical approval number: ETA-11/0493
- concrete > C20/C25
- autoclaved aerated concrete (> P2)
- lightweight walls with rear lining made of laminated timber boards ...
- lightweight walls with integrated steel plates ...
- hollow concrete block, vertically perforated bricks, solid bricks,...., national technical approval number: ETA-13/1036

HEWI PVD-coating

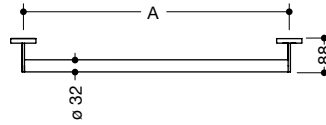
- ...70 CK brass glossy
- ...70 LP brass brushed
- ...70 WR nickel brushed
- ...70 EC black chrome glossy

HEWI Mounting plate, cover see page 42

System 900 PVD Grip







HEWI Support rail ø 32 mm

- rail ø 32 mm, 88 mm deep, tube thickness 2 mm, roses ø 70 mm
- made of high-quality stainless steel, PVD-coated
- upgrade kit toilet roll holder can be retrofitted
- incl. non-corrosive and tested HEWI fixing material for wall mounting
- additional sealing of the drilling points possible with sealing tape (included in delivery)
- for HEWI removable hanging seats according to table

- 900.36.00070
- 900.36.00170
- 900.36.00270
- 900.36.00370
- 900.36.00470
- 900.36.00570
- 900.36.00670
- 900.36.00770

A (in mm)

- 300 mm
- 400 mm
- 500 mm
- 600 mm
- 700 mm
- 800 mm
- 900 mm
- 1000 mm

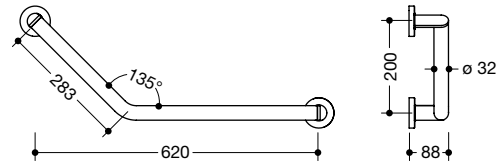


Please note when using with removable hanging seats

Compatibility check required. A detailed list of the possible combinations of support rails, L-shaped support rails and shower head rails with matching removable hanging seats can be found in our online catalogue in the download area of the respective product.

Item Number

Dimensions in mm / Specification



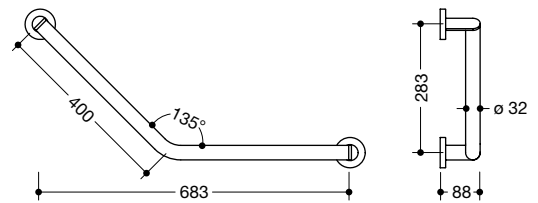
Version right

900.22.30070
900.22.30170

HEWI L-shaped support rail \varnothing 32 mm

- c to c 620 mm and 283 mm, angle 135°
- rails \varnothing 32 mm, 88 mm deep, tube thickness 2 mm, roses \varnothing 70 mm
- made of high-quality stainless steel, PVD-coated
- upgrade kit toilet roll holder can be retrofitted
- incl. non-corrosive and tested HEWI fixing material for wall mounting
- additional sealing of the drilling points possible with sealing tape (included in delivery)

version right
version left



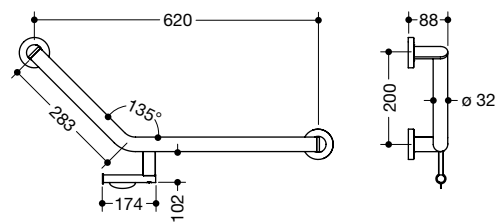
900.22.30470

- do., c to c 683 mm and 400 mm



Version right

900.22.30270
900.22.30370



HEWI L-shaped support rail \varnothing 32 mm with toilet roll holder

- with integrated toilet roll holder
- c to c 620 mm and 283 mm, angle 135°
- rails \varnothing 32 mm, 88 mm deep, tube thickness 2 mm, roses \varnothing 70 mm
- made of high-quality stainless steel, PVD-coated
- incl. non-corrosive and tested HEWI fixing material for wall mounting
- additional sealing of the drilling points possible with sealing tape (included in delivery)

version right
version left

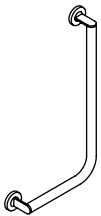
HEWI PVD-coating

- ...70 CK brass glossy
- ...70 LP brass brushed
- ...70 WR nickel brushed
- ...70 EC black chrome glossy

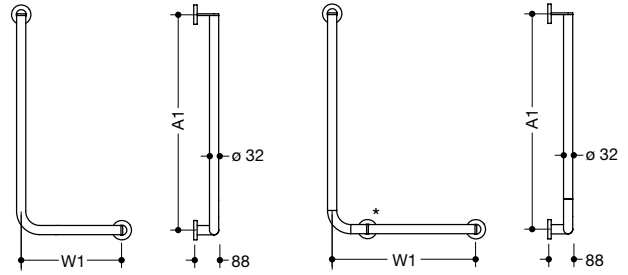
Detailed information about the spare parts can be found here:
www.hewi.com/en/spare-parts



Version right



Version left



HEWI L-shaped support rail ø 32 mm

- rails ø 32 mm, 88 mm deep, tube thickness 2 mm, roses ø 70 mm
- made of high-quality stainless steel, PVD-coated
- incl. non-corrosive and tested HEWI fixing material for wall mounting
- upgrade kit toilet roll holder can be retrofitted
- additional sealing of the drilling points possible with sealing tape (included in delivery)

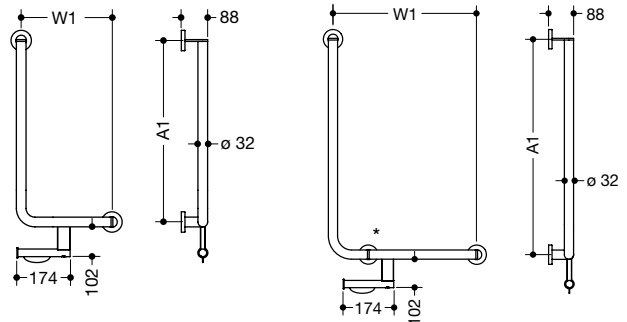
A1 x W1 (in mm)	Version right	Version left
255 x 255	900.22.10070	
600 x 300	900.22.10170	900.22.10570
750 x 500*	900.22.10270¹⁾	900.22.10670¹⁾
900 x 400*	900.22.10370	900.22.10770
1000 x 500*	900.22.10470²⁾	900.22.10870²⁾

Please note when using with removable hanging seats

Compatibility check required. A detailed list of the possible combinations of support rails, L-shaped support rails and shower head rails with matching removable hanging seats can be found in our online catalogue in the download area of the respective product.



Version right



HEWI L-shaped support rail ø 32 mm with toilet roll holder

- do., with integrated toilet roll holder

A1 x W1 (in mm)	Version right	Version left
600 x 300	900.22.10970	900.22.11370
750 x 500*	900.22.11070¹⁾	900.22.11470¹⁾
900 x 400*	900.22.11170	900.22.11570
1000 x 500*	900.22.11270²⁾	900.22.11670²⁾



*From A1 x W1 = 750 x 500 mm with 3. support.

¹⁾ fulfills ÖNORM B 1600/1601

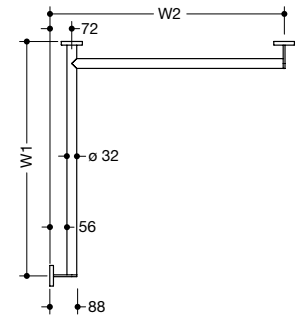
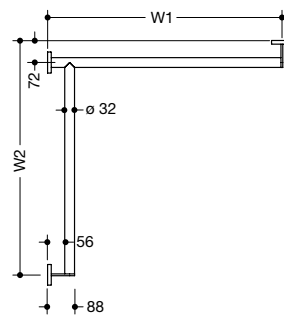
²⁾ fulfills SIA 500

Item Number

Dimensions in mm / Specification



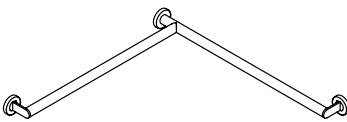
Version right



Version left

HEWI Shower grab rail \varnothing 32 mm

- rails \varnothing 32 mm, 88 mm deep, tube thickness 2 mm, roses \varnothing 70 mm
- made of high-quality stainless steel, PVD-coated
- reduced number of mounting roses due to innovative corner connection
- compensation of angle tolerance in room corner up to $\pm 2^\circ$ possible
- incl. non-corrosive and tested HEWI fixing material for wall mounting
- additional sealing of the drilling points possible with sealing tape (included in delivery)



Version left

W1 x W2 (in mm)	Version right	Version left
765 x 475	900.35.10070	900.35.10370
765 x 765	900.35.10170	900.35.10470
965 x 965	900.35.10270	900.35.10570

Please note when using with removable hanging seats

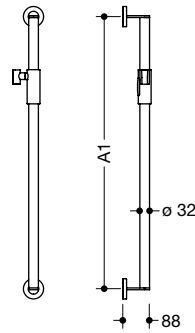
Compatibility check required. A detailed list of the possible combinations of support rails, L-shaped support rails and shower head rails with matching removable hanging seats can be found in our online catalogue in the download area of the respective product.



HEWI PVD-coating

- ...70 CK** brass glossy
- ...70 LP** brass brushed
- ...70 WR** nickel brushed
- ...70 EC** black chrome glossy

Detailed information about the spare parts can be found here:
www.hewi.com/en/spare-parts



HEWI Rail ø 32 mm with magnetic shower head holder

- rail ø 32 mm, 88 mm deep, tube thickness 2 mm, roses ø 70 mm
- made of high-quality stainless steel, PVD-coated
- with magnetic shower head holder made of high-quality stainless steel, PVD-coated
- suitable for various manufacturers' shower heads
- simple and intuitive one-hand operation
- shower head holder infinitely adjustable, automatically fixed in place by magnets
- wear-free clamping mechanism
- conical holder on shower holder can be adjusted to any angle
- incl. non-corrosive and tested HEWI fixing material for wall mounting
- additional sealing of the drilling points possible with sealing tape (included in delivery)

900.33M00070
900.33M00170
900.33M00270

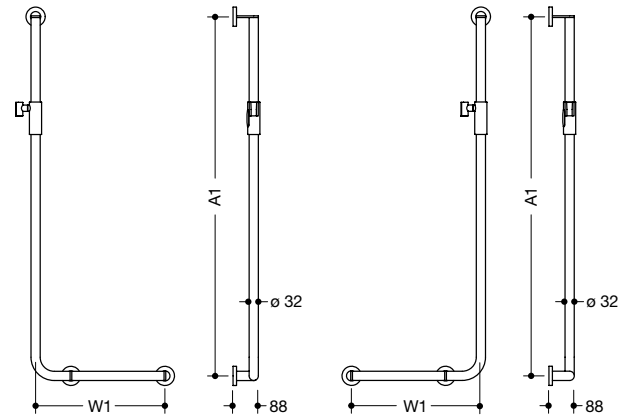
A1 (in mm)

600 mm
900 mm
1100 mm





Version right



Version left

HEWI L-shaped support rail ø 32 mm with magnetic shower head holder

- rails ø 32 mm, 88 mm deep, tube thickness 2 mm, roses ø 70 mm
- made of high-quality stainless steel, PVD-coated
- with magnetic shower head holder made of high-quality stainless steel, PVD-coated
- suitable for various manufacturers' shower heads
- simple and intuitive one-hand operation
- shower head holder infinitely adjustable, automatically fixed in place by magnets
- wear-free clamping mechanism
- conical holder on shower holder can be adjusted to any angle
- incl. non-corrosive and tested HEWI fixing material for wall mounting
- additional sealing of the drilling points possible with sealing tape (included in delivery)



Version left



A1 x W1 (in mm)	Version right	Version left
1250 x 450	900.33M20070	900.33M20270
1250 x 600	900.33M20170	900.33M20370

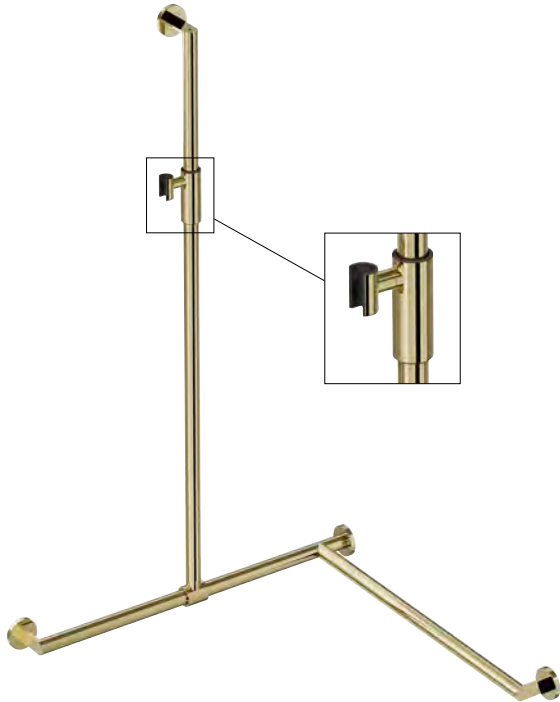
Please note when using with removable hanging seats

Compatibility check required. A detailed list of the possible combinations of support rails, L-shaped support rails and shower head rails with matching removable hanging seats can be found in our online catalogue in the download area of the respective product.

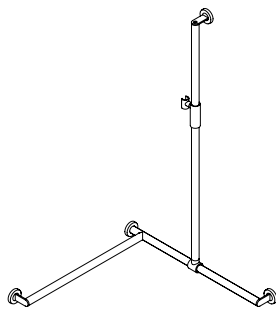
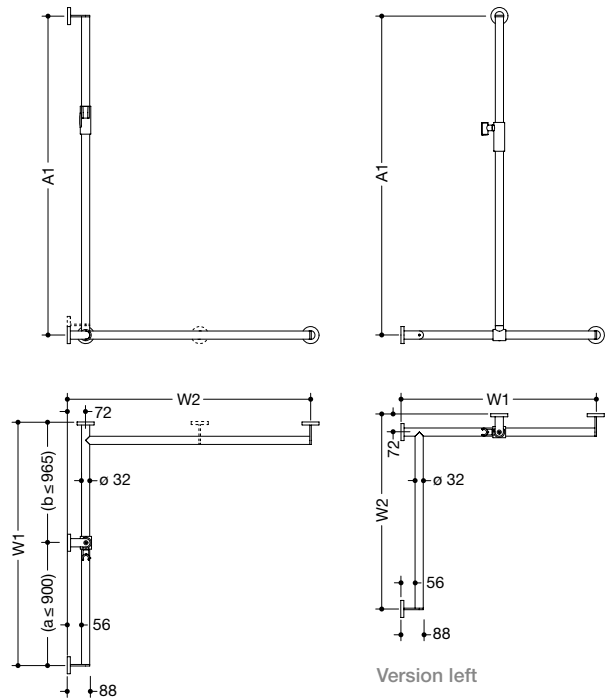
HEWI PVD-coating

- ...70 CK brass glossy
- ...70 LP brass brushed
- ...70 WR nickel brushed
- ...70 EC black chrome glossy

Detailed information about the spare parts can be found here: www.hewi.com/en/spare-parts



Version right



Version left



***Attention:**

From an external dimension of $W2 > 965$ mm the rail has a centrally positioned, additional wall mounting.
From an external dimension of $W1 > 1185$ mm, A1 has an additional wall mounting.

Please note when using with removable hanging seats

Compatibility check required. A detailed list of the possible combinations of support rails, L-shaped support rails and shower head rails with matching removable hanging seats can be found in our online catalogue in the download area of the respective product.

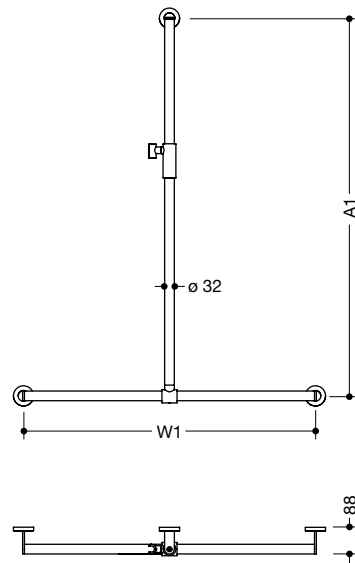
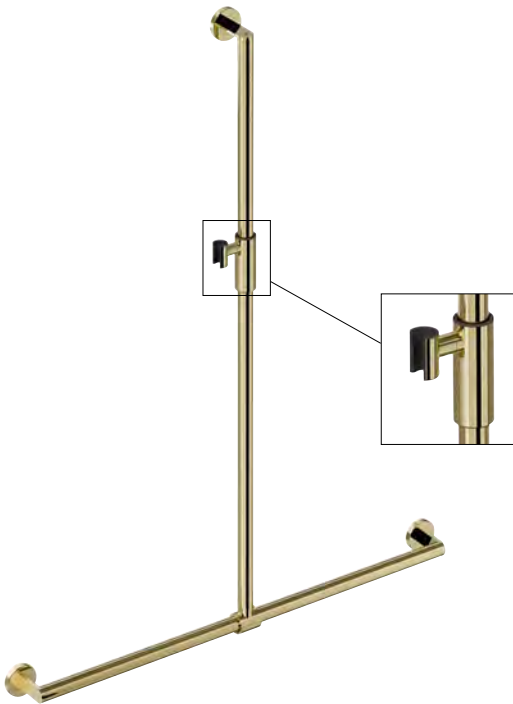
*fulfils ÖNORM B 1600/1601

HEWI Rail with sideways adjustable vertical support bar ø 32 and magnetic shower head holder

- with shower head rail that can be moved to the side (for installation)
- rails ø 32 mm, tube thickness 2 mm, roses ø 70 mm, 88 mm deep
- made of high-quality stainless steel, PVD-coated
- with magnetic shower head holder made of high-quality stainless steel, PVD-coated
- suitable for various manufacturers' shower heads
- simple and intuitive one-hand operation
- shower head holder infinitely adjustable, automatically fixed in place by magnets, wear-free clamping mechanism
- conical holder on shower holder can be adjusted to any angle
- reduced number of mounting roses due to innovative corner connection
- compensation of angle tolerance in room corner up to $\pm 2^\circ$ possible
- incl. non-corrosive and tested HEWI fixing material for wall mounting
- additional sealing of the drilling points possible with sealing tape (included in delivery)
- upper mounting point (non-visible area) is accessible for easy replacement of shower head holder

**A1xW1xW2
(in mm)**

	Version right	Version left
1250 x 765 x 765	900.35M30070	900.35M30370
1250 x 965 x 965	900.35M30170*	900.35M30470*
1250 x 1185 x 765	900.35M30270	900.35M30570
1250 x 765 x 965	900.35M30670*	900.35M30770*



HEWI Rail with sideways adjustable vertical support bar ø 32 and magnetic shower head holder

- with shower head rail that can be moved to the side (for installation)
- rails ø 32 mm, tube thickness 2 mm, roses ø 70 mm, 88 mm deep
- made of high-quality stainless steel, PVD-coated
- with magnetic shower head holder made of high-quality stainless steel
- suitable for various manufacturers' shower heads
- simple and intuitive one-hand operation
- shower head holder infinitely adjustable, automatically fixed in place by magnets
- wear-free clamping mechanism
- conical holder on shower holder can be adjusted to any angle
- incl. non-corrosive and tested HEWI fixing material for wall mounting
- additional sealing of the drilling points possible with sealing tape (included in delivery)
- upper mounting point (non-visible area) is accessible for easy replacement of shower head holder

Please note when using with removable hanging seats

Compatibility check required. A detailed list of the possible combinations of support rails, L-shaped support rails and shower head rails with matching removable hanging seats can be found in our online catalogue in the download area of the respective product.

A1 x W1 (in mm)	PVD-coated
1250 x 765	900.35M40070
1250 x 965	900.35M40170
1250 x 1185*	900.35M40270

*Attention::

From an external dimension of W1 > 1185 mm, A1 has an additional wall mounting. Please advise A1 and W1 when ordering.



HEWI PVD-coating

- ...70 CK brass glossy
- ...70 LP brass brushed
- ...70 WR nickel brushed
- ...70 EC black chrome glossy

Detailed information about the spare parts can be found here:
www.hewi.com/en/spare-parts

System 900 PVD Sit

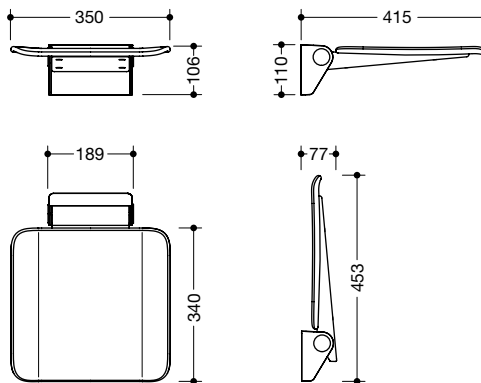
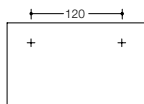




Item Number

Dimensions in mm / Specification

Drill hole



HEWI Hinged seat

- construction consisting of wall bracket and continuous seat
 - slip-resistant, textured seat made of synthetic material
 - reinforcement of the seat made of aluminum, powder-coated in colour of the seat
 - loading capacity 150 kg
 - wall bracket made of high-quality stainless steel, PVD-coated
 - seat can be folded up to save space
 - seat depth when folded up 77 mm
 - aluminum seat bracket ensures stability and safety
 - moulded seat defines the sitting position (lightly curved shape provides pleasant support)
 - seat made of thermoplastic synthetic material (polypropylene) enables an extremely resistant, hygienic surface and particularly soft seat comfort
 - maintenance free, permanently smooth and easy moving joint
 - 350 mm wide, 415 mm deep and 110 mm high
 - seat 350 mm wide and 340 mm deep
 - for mounting with corrosion-free and tested HEWI fixing material (to be ordered separately)
 - additional sealing of the drilling points possible with sealing tape (included in delivery)
- seat white
 - seat black

- Wall bracket
- Seat

900.51.20070
900.51.21570

HEWI Fixing material to be ordered separately

for fixing on walls made of:

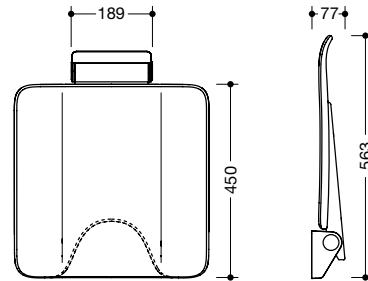
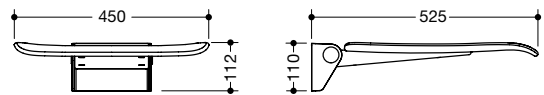
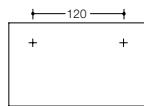
- BM17.2**
- BM10.2**
- BM11.2**
- BM12.2**
- BM13.2**
- BM18.2**

- concrete > C20/C25, national technical approval number: ETA-11/0493
- concrete > C20/C25
- autoclaved aerated concrete (> P2)
- lightweight walls with rear lining made of laminated timber boards ...
- lightweight walls with integrated steel plates ...
- hollow concrete block, vertically perforated bricks, solid bricks, ..., national technical approval number: ETA-13/1036

Item Number

Dimensions in mm / Specification

Drill hole



900.51.20270
900.51.21770

900.51.20470
900.51.21970

HEWI Hinged seat

- construction consisting of wall bracket and continuous seat
- slip-resistant, textured seat made of synthetic material
- reinforcement of the seat made of aluminum, powder-coated in colour of the seat
- loading capacity 150 kg
- wall bracket made of high-quality stainless steel, PVD-coated
- seat can be folded up to save space
- seat depth when folded up 77 mm
- aluminum seat bracket ensures stability and safety
- moulded seat defines the sitting position (lightly curved shape provides pleasant support)
- seat made of thermoplastic synthetic material (polypropylene) enables an extremely resistant, hygienic surface and particularly soft seat comfort
- maintenance free, permanently smooth and easy moving joint
- 450 mm wide, 525 mm deep and 112 mm high
- seat 450 mm wide and 450 mm deep
- for mounting with corrosion-free and tested HEWI fixing material for different wall constructions (to be ordered separately)
- additional sealing of the drilling points possible with sealing tape (included in delivery)
- fulfils the requirements according to DIN 18040, ÖNORM B 1600/1601 and SIA 500

- seat white
- seat black

with hygiene cutout

- seat white
- seat black

Wall bracket
Seat

BM17.2
BM10.2
BM11.2
BM12.2
BM13.2
BM18.2

HEWI Fixing material to be ordered separately

for fixing on walls made of:

- concrete > C20/C25, national technical approval number: ETA-11/0493
- concrete > C20/C25
- autoclaved aerated concrete (> P2)
- lightweight walls with rear lining made of laminated timber boards ...
- lightweight walls with integrated steel plates ...
- hollow concrete block, vertically perforated bricks, solid bricks,...., national technical approval number: ETA-13/1036

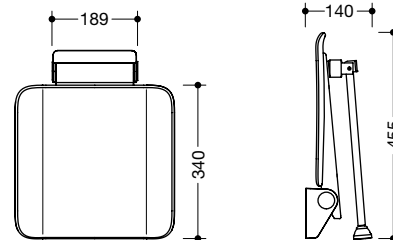
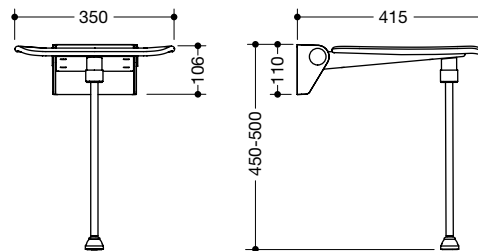
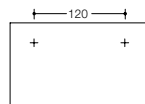
HEWI PVD-coating

- ...70 CK brass glossy
- ...70 LP brass brushed
- ...70 WR nickel brushed
- ...70 EC black chrome glossy

HEWI Spare parts for hinged seats find here:
www.hewi.com/en/spare-parts



Drill hole



HEWI Hinged seat with floor support

- construction consisting of wall bracket and continuous seat
- slip-resistant, textured seat made of synthetic material
- reinforcement of the seat made of aluminum, powder-coated in colour of the seat
- wall bracket made of high-quality stainless steel, PVD-coated
- seat can be folded up to save space
- seat depth when folded up 77 mm
- loading capacity 150 kg
- with floor support for seat height 450-500 mm, powder-coated in colour of the seat
- 350 mm wide, 415 mm deep and 110 mm high
- seat 350 mm wide and 340 mm deep
- for mounting with corrosion-free and tested HEWI fixing material for different wall constructions (to be ordered separately)
- additional sealing of the drilling points possible with sealing tape (included in delivery)

- Wall bracket
- Seat, floor support

900.51.20170
900.51.21670

- seat white
- seat black

HEWI Fixing material to be ordered separately

for fixing on walls made of:

- BM17.2**
- BM10.2**
- BM11.2**
- BM12.2**
- BM13.2**
- BM18.2**

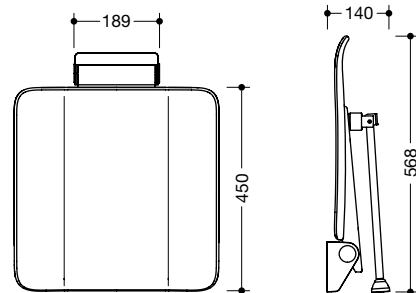
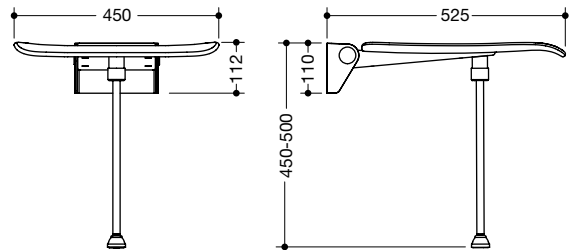
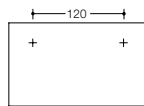
concrete > C20/C25, national technical approval number: ETA-11/0493
concrete > C20/C25
autoclaved aerated concrete (> P2)
lightweight walls with rear lining made of laminated timber boards ...
lightweight walls with integrated steel plates ...
hollow concrete block, vertically perforated bricks, solid bricks, ..., national technical approval number: ETA-13/1036

Item Number

Dimensions in mm / Specification



Drill hole



900.51.20570
900.51.22070

900.51.21470
900.51.22170

HEWI Hinged seat with floor support

- construction consisting of wall bracket and continuous seat
- slip-resistant, textured seat made of synthetic material
- reinforcement of the seat made of aluminum, powder-coated in colour of the seat
- wall bracket made of high-quality stainless steel, PVD-coated
- seat can be folded up to save space
- seat depth when folded up 77 mm
- loading capacity 150 kg
- with floor support for seat height 450-500 mm, powder-coated in colour of the seat
- 450 mm wide, 525 mm deep and 112 mm high
- seat 450 mm wide and 450 mm deep
- for mounting with corrosion-free and tested HEWI fixing material for different wall constructions (to be ordered separately)
- additional sealing of the drilling points possible with sealing tape (included in delivery)
- fulfils the requirements according to DIN 18040, ÖNORM B 1600/1601 and SIA 500
- seat white
- seat black

with hygiene cutout

- seat white
- seat black

- ■ ■ ■ Wall bracket
- ■ Seat, floor support

HEWI Fixing material to be ordered separately
see left

HEWI PVD-coating

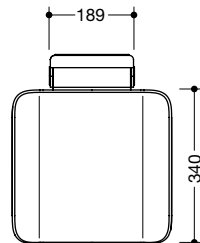
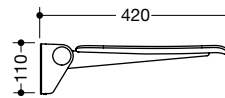
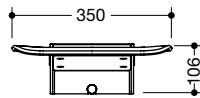
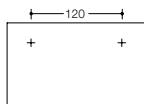
- ...70 CK brass glossy
- ...70 LP brass brushed
- ...70 WR nickel brushed
- ...70 EC black chrome glossy

HEWI Spare parts for hinged seats find here:
www.hewi.com/en/spare-parts

Item Number

Dimensions in mm / Specification

Drill hole



HEWI Mobile hinged seat

- construction consisting of wall bracket and continuous seat
 - slip-resistant, textured seat made of synthetic material
 - reinforcement of the seat made of aluminum, powder-coated in colour of the seat
 - wall bracket made of high-quality stainless steel, PVD-coated
 - seat can be folded up to save space
 - seat depth when folded up 82 mm
 - loading capacity 150 kg
 - aluminum seat bracket ensures stability and safety
 - moulded seat defines the sitting position (lightly curved shape provides pleasant support)
 - seat made of thermoplastic synthetic material (polypropylene) enables an extremely resistant, hygienic surface and particularly soft seat comfort
 - maintenance free, permanently smooth and easy moving joint
 - for mobile use
 - for easy and flexible retrofitting on pre-assembled HEWI mounting plate: 900.51.00170 (to be ordered separately)
 - tool-free and quick installation by means of simple hanging of the seat
 - secured by fixing screw
 - 350 mm wide, 110 mm high and 420 mm deep (incl. mounting plate)
 - seat 350 mm wide and 340 mm deep
 - for mounting with corrosion-free and tested HEWI fixing material for different wall constructions (to be ordered separately)
 - additional sealing of the drilling points possible with sealing tape (included in delivery)
- seat white
 - seat black

■ ■ ■ Wall bracket
 □ ■ Seat

900.51.40070
900.51.40570

HEWI Fixing material to be ordered separately

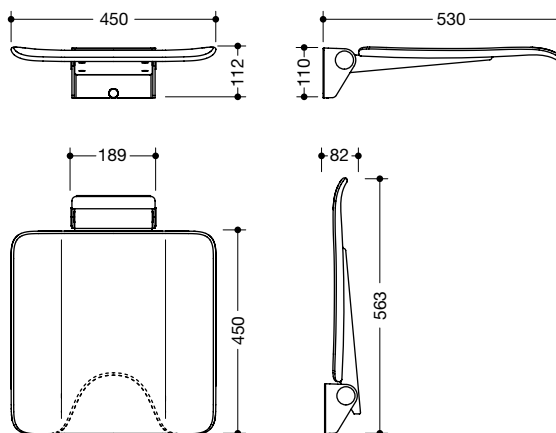
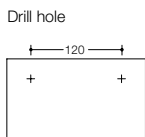
for fixing on walls made of:

BM17.2
BM10.2
BM11.2
BM12.2
BM13.2
BM18.2

concrete > C20/C25, national technical approval number: ETA-11/0493
 concrete > C20/C25
 autoclaved aerated concrete (> P2)
 lightweight walls with rear lining made of laminated timber boards ...
 lightweight walls with integrated steel plates ...
 hollow concrete block, vertically perforated bricks, solid bricks, ..., national technical approval number: ETA-13/1036

Item Number

Dimensions in mm / Specification



900.51.40170
900.51.40670

900.51.40470
900.51.40770

HEWI Mobile hinged seat

- construction consisting of wall bracket and continuous seat
- slip-resistant, textured seat made of synthetic material
- reinforcement of the seat made of aluminum, powder-coated in colour of the seat
- wall bracket made of high-quality stainless steel, PVD-coated
- seat can be folded up to save space
- seat depth when folded up 82 mm, loading capacity 150 kg
- aluminum seat bracket ensures stability and safety
- moulded seat defines the sitting position (lightly curved shape provides pleasant support)
- seat made of thermoplastic synthetic material (polypropylene) enables an extremely resistant, hygienic surface and particularly soft seat comfort
- maintenance free, permanently smooth and easy moving joint
- for mobile use
- for easy and flexible retrofitting on pre-assembled HEWI mounting plate: 900.51.00170 (to be ordered separately)
- tool-free and quick installation by means of simple hanging of the seat
- secured by fixing screw
- 450 mm wide, 112 mm high and 530 mm deep (incl. mounting plate)
- seat 450 mm wide and 450 mm deep
- for mounting with corrosion-free and tested HEWI fixing material for different wall constructions (to be ordered separately)
- additional sealing of the drilling points possible with sealing tape (included in delivery)
- fulfils the requirements according to DIN 18040, ÖNORM B 1600/1601 and SIA 500

- seat white
- seat black

with hygiene cutout

- seat white
- seat black

Wall bracket
Seat

HEWI Fixing material to be ordered separately
see left

HEWI PVD-coating
 ...70 CK brass glossy
 ...70 LP brass brushed
 ...70 WR nickel brushed
 ...70 EC black chrome glossy

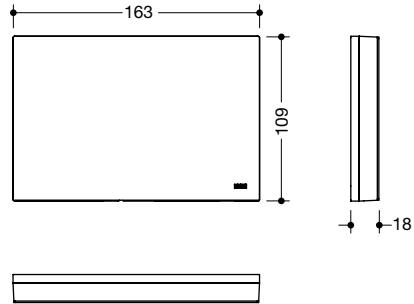
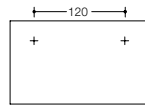
HEWI Mounting plate from page 66
Ordering aid for mobile hinged seats see online catalogue
HEWI Spare parts for mobile hinged seats find here:
www.hewi.com/en/spare-parts

Item Number

Dimensions in mm / Specification



Drill hole



HEWI Mounting plate with cover

- rectangular mounting plate with fitting rectangular cover
- to hold and fix the mobile hinged seats 900.51.4...70
- 163 mm wide, 109 mm high, 18 mm deep
- mounting plate made of high-quality stainless steel, PVD-coated
- face plate of the cover made of high-quality stainless steel
- for wall-mounting with non-corrosive and tested HEWI fixing material for different wall constructions (to be ordered separately)
- sealing tape for sealing the fixing points is included in the scope of supply

900.51.00370

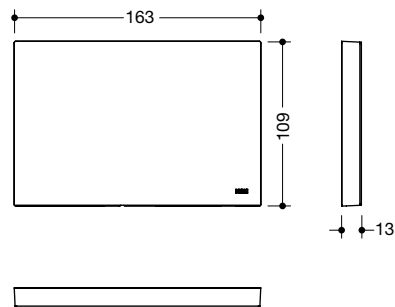
- face plate powder-coated in HEWI colour AS (matt white) with frame made of matt white polyamide

900.51.00570

- face plate powder-coated in HEWI colour CV (matt black) with frame made of matt black polyamide

- ☐ ■ Face plate
- ☐ ■ Frame
- ■ ■ Mounting plate

HEWI Fixing material to be ordered separately, see right



900.51.00260

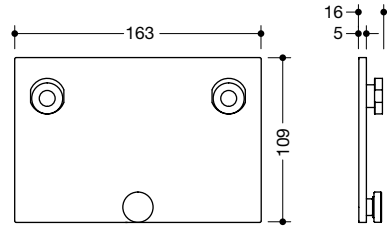
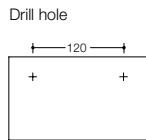
HEWI Cover for mounting plate

- for cover of the mounting plate by simple replacement
- 163 mm wide, 109 mm high, 13 mm deep
- face plate made of high-quality stainless steel, powder-coated in HEWI colour CV (matt black) with frame made of matt black polyamide or powder-coated in HEWI colour AS (matt white) with frame made of matt white polyamide

- ☐ ■

Item Number

Dimensions in mm / Specification



900.51.00170

HEWI Mounting plate

- rectangular mounting plate with knurled screw
- to hold and fix the mobile hinged seats 950.51.4...70
- made of high-quality stainless steel, PVD-coated
- 163 mm wide, 109 mm high, 16 mm deep
- for mounting with non-corrosive and tested HEWI fixing material for different wall systems (to be ordered separately)
- sealing tape for sealing the fixing points is included in the scope of supply

HEWI Fixing material to be ordered separately, see below



950.51.013

HEWI Protection and storage bag

- for storing the mobile hinged seats 900.51.4...
- made of high-quality white, synthetic material sheeting
- high-quality fleece lining on the inside to protect the seat surfaces
- 780 mm high, 580 mm wide
- tear-resistant, with pull-cord for closing

HEWI Fixing material to be ordered separately

for fixing on walls made of:

BM17.2

BM10.2

BM11.2

BM12.2

BM13.2

BM18.2

concrete > C20/C25, national technical approval number: ETA-11/0493

concrete > C20/C25

autoclaved aerated concrete (> P2)

lightweight walls with rear lining made of laminated timber boards ...

lightweight walls with integrated steel plates ...

hollow concrete block, vertically perforated bricks, solid bricks,....,

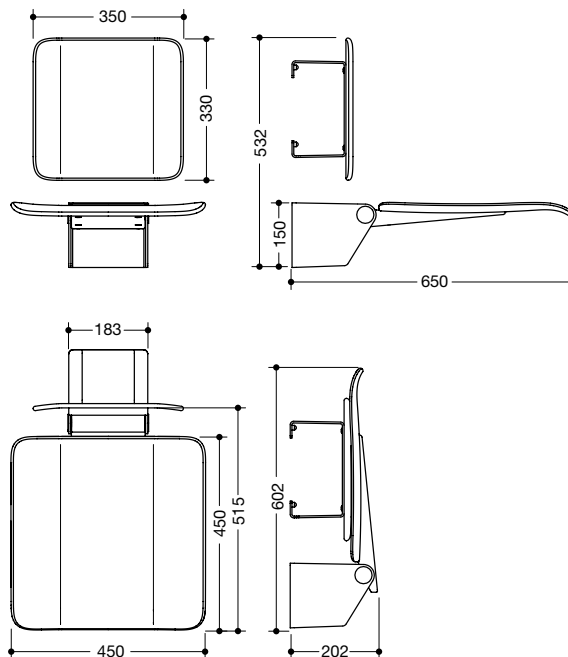
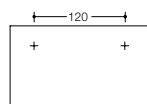
national technical approval number: ETA-13/1036

HEWI PVD-coating

- ...70 CK brass glossy
- ...70 LP brass brushed
- ...70 WR nickel brushed
- ...70 EC black chrome glossy



Drill hole



- Wall bracket
- Seat

900.51.20370
900.51.21870

HEWI Hinged seat especially for UK

- construction of wall bracket, continuous seat and separat mounted backrest
- slip-resistant, textured seat made of synthetic material
- reinforcement of the seat made of aluminum, powder-coated in colour of the seat
- wall bracket made of high-quality stainless steel, PVD-coated
- seat can be folded up to save space
- backrest with structured backrest made of synthetic material
- wall connection made of aluminum, powder-coated in colour of backrest
- loading capacity 150 kg
- 450 mm wide, 650 mm deep and 532 mm high
- seat 450 mm wide and 450 mm deep
- for mounting with non-corrosive and tested HEWI fixing material
- including backrest fixing material
- fixing material for different wall systems (to be ordered separately)
- fulfils the requirements acc. to BS-Standard BS 8300:2009+A1:2010/ Doc M
- seat white
- seat black

HEWI Fixing material to be ordered separately

for fixing on walls made of:

- BM17.2**
- BM10.2**
- BM11.2**
- BM12.2**
- BM13.2**
- BM18.2**




- concrete > C20/C25, national technical approval number: ETA-11/0493
- concrete > C20/C25
- autoclaved aerated concrete (> P2)
- lightweight walls with rear lining made of laminated timber boards ...
- lightweight walls with integrated steel plates ...
- hollow concrete block, vertically perforated bricks, solid bricks, ..., national technical approval number: ETA-13/1036

HEWI Spare parts for hinged seats find here:
www.hewi.com/en/spare-parts

Item Number

Dimensions in mm / Specification

HEWI PVD-coating

-  **...70 CK** brass glossy
-  **...70 LP** brass brushed
-  **...70 WR** nickel brushed
-  **...70 EC** black chrome glossy

System 900

Dispenser products Chrome

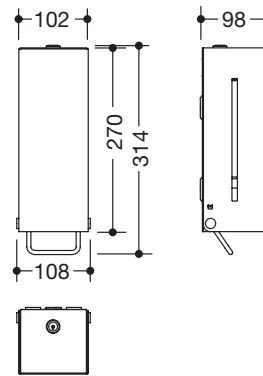


Item Number

Dimensions in mm / Specification



900.06.004XC

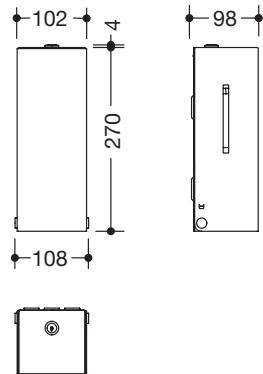


HEWI Soap dispenser

- to be filled with standard liquid soap
- with inner container for free filling, capacity 600 ml
- inner container can be removed for cleaning, side level indicator
- for wall mounting, locking system as protection against misuse
- 102 mm wide, 270 mm high and 98 mm deep
- made of high-quality stainless steel, surface mirror polished (chrome-look coated)
- including non-corrosive HEWI fixing material



900.06.005XC



HEWI SENSORIC Soap dispenser

- to be filled with standard liquid soap
- with inner container for free filling, capacity 500 ml
- inner container can be removed for cleaning, side level indicator
- non-contact soap dispensing, with battery change indicator
- illumination of the output area when the sensor is activated (blue light)
- for wall mounting, locking system as protection against misuse
- 102 mm wide, 270 mm high and 98 mm deep, maintenance-free
- batteries (AA 1,5 V/4 pcs.) not included in delivery
- made of high-quality stainless steel, surface mirror polished (chrome-look coated)
- including non-corrosive HEWI fixing material

900.06.007XC

HEWI SENSORIC Foam soap dispenser

- do., to be filled with standard foam soap

900.06.008XC

HEWI SENSORIC Disinfectant dispenser

- do., to be filled with standard disinfectant
- disinfectant is dispensed as a spray

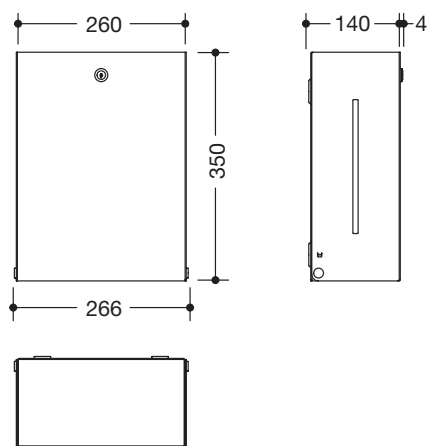


- 900.06.E02
- 900.06.E04
- 900.06.E03
- 900.06.E0160

- HEWI Soap tank and soap pump for 900.06.00570**
- HEWI Soap tank and soap pump for 900.06.00770**
- HEWI Soap tank and soap pump for 900.06.00870**
- HEWI Drip tray**



900.06.009XC

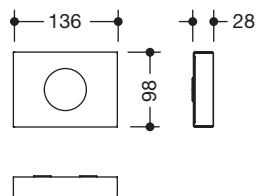


HEWI Paper towel dispenser

- to hold standard paper towels with different folds in the width 235 - 250 mm and folded length / depth of 80 - 110 mm (HEWI recommends paper towels with Z-fold)
- capacity approx. 300 - 450 paper towels
- side level indicator
- locking system as protection against misuse
- 260 mm wide, 350 mm high and 140 mm deep
- for wall mounting
- made of high-quality stainless steel, surface mirror polished (chrome-look coated)
- including non-corrosive HEWI fixing material



900.06.011XC



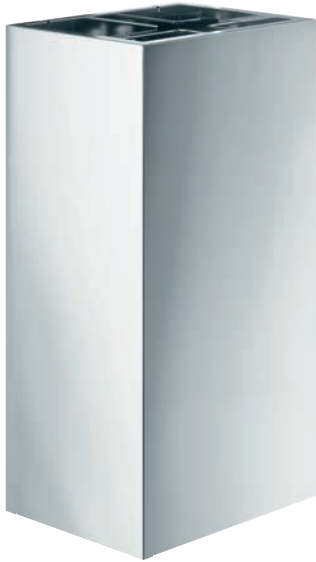
HEWI Hygiene bag dispenser

- holds and dispenses proprietary hygiene bags made of synthetic material (max. package size L 130 x B 90 x H 20 mm)
- for wall mounting
- 136 mm wide, 98 mm high and 28 mm deep
- made of high-quality stainless steel, surface mirror polished (chrome-look coated)
- including non-corrosive HEWI fixing material

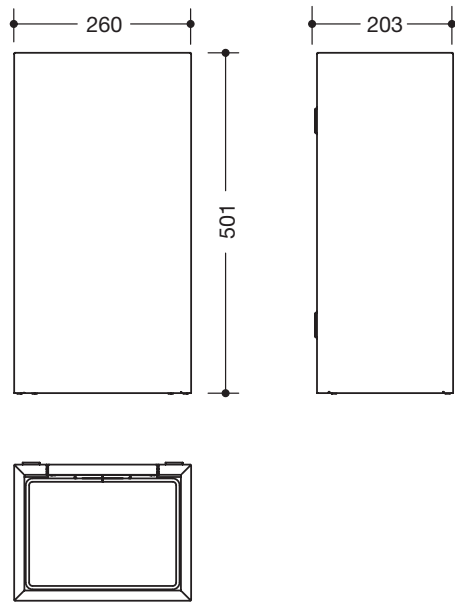


Item Number

Dimensions in mm / Specification



900.05.001XC

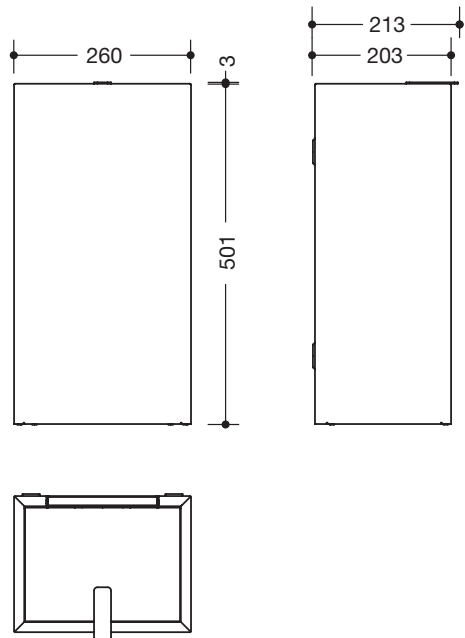


HEWI Waste paper bin

- capacity approx. 25 l
- invisible, integrated bag holder with pull-out function for easy insertion and removal of the bag
- 260 mm wide, 501 mm high and 203 mm deep
- for wall mounting
- made of high-quality stainless steel, surface mirror polished (chrome-look coated)
- including non-corrosive HEWI fixing material



900.05.002XC



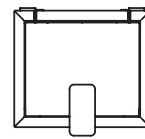
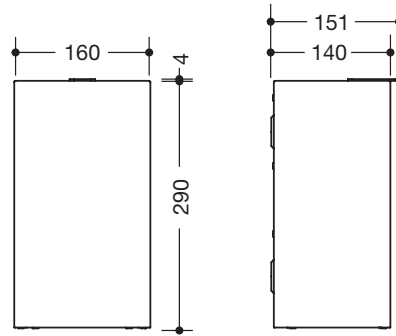
HEWI Waste paper bin

- do., with lid



HEWI Surface

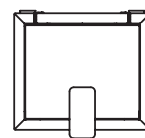
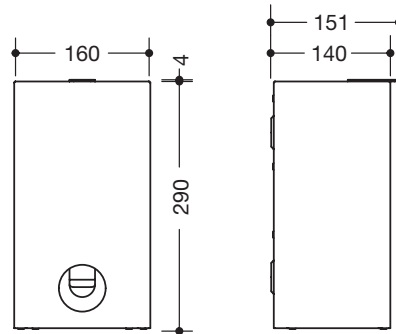
XC



900.05.005XC

HEWI Hygiene waste bin

- capacity approx. 6 l, for wall mounting
- invisible, integrated bag holder with pull-out function for easy insertion and removal of the bag
- lid with lifting flap
- 160 mm wide, 290 mm high and 140 mm deep
- made of high-quality stainless steel, surface mirror polished (chrome-look coated)
- including non-corrosive HEWI fixing material



900.05.006XC

HEWI Hygiene combination

- do., with integrated holder for standard hygiene bags made of synthetic material (max. package size L 130 x B 90 x H 20 mm)



Item Number

Dimensions in mm / Specification

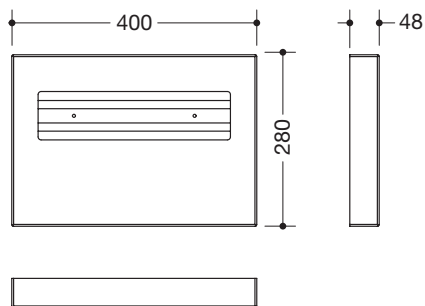
HEWI Surface



XC

Item Number

Dimensions in mm / Specification



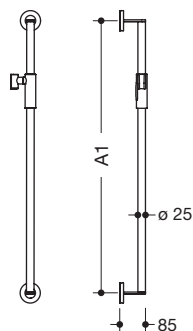
900.06.017XA
900.06.01760



HEWI Toilet seat cover dispenser

- for holding and removing commercially available disposable paper toilet seat covers
- for wall mounting
- made of high-quality stainless steel
- 400 mm wide, 280 mm high and 48 mm deep
- including non-corrosive HEWI fixing material

- satin finished
- powder-coated in HEWI colours DX (matt white), SC (matt dark grey pearl mica) and DC (matt black)



HEWI Rail ø 25 mm with magnetic shower head holder

- rail ø 25 mm, 85 mm deep, tube thickness 2 mm, roses ø 70 mm
- made of high-quality stainless steel
- with magnetic shower head holder made of high-quality stainless steel
- suitable for various manufacturers' shower heads
- simple and intuitive one-hand operation
- shower head holder infinitely adjustable, automatically fixed in place by magnets
- wear-free clamping mechanism
- conical holder on shower holder can be adjusted to any angle
- incl. non-corrosive and tested HEWI fixing material for wall mounting
- additional sealing of the drilling points possible with sealing tape (included in delivery)

A1 (in mm)	chrome-plated	powder-coated
600	900.33M03040	900.33M03060
900	900.33M03140	900.33M03160
1100	900.33M03240	900.33M03260

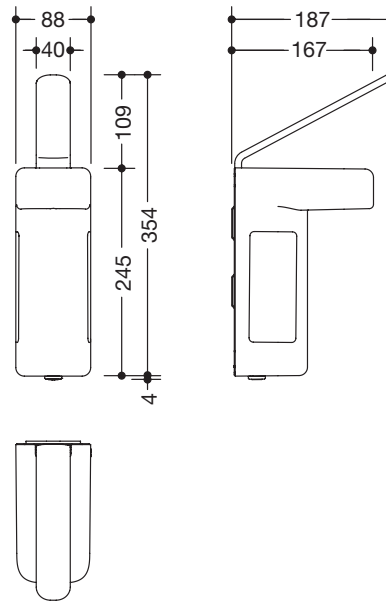
HEWI Surfaces

- ...60 DX matt white
- XA Chr ■ ...60 SC matt dark grey pearl mica
- ...60 DC matt black

Range 477/801 Dispenser products Black Edition

available from December 2024





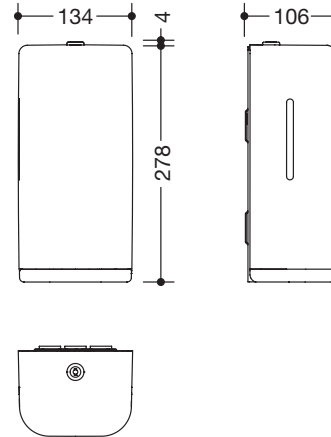
477.06.10590

HEWI Disinfectant/soap dispenser

- with viewing windows on the sides for monitoring the fill level
- for dispensing controlled quantities of chlorine-free, alcohol-based hand disinfectants or liquid soaps
- for 500 ml Euro standard bottles
- the disposable bottle are easy to replace from the front
- dispenser with long lever, lockable
- dosing quantity adjustable in several steps: 0,7 ml, 1,0 ml, 1,2 ml, 1,5 ml (depending on the viscosity of the product)
- dosing pump made of high-quality stainless steel
- compatible with hygienic packaging (collapsing bottle with disposable pump)
- dispenser/pump dishwasher safe and autoclavable up to 134 °C, 3 bar
- 88 mm wide, 354 mm high, 187 mm deep
- incl. 500 ml empty container for free refilling
- made of polyamide in HEWI colour 90 (jet black)
- for wall mounting
- including non-corrosive HEWI fixing material

Item Number

Dimensions in mm / Specification



477.06.10290

HEWI SENSORIC Liquid soap dispenser

- to be filled with standard liquid soap
- with inner container for free filling, capacity 500 ml
- inner container can be removed for cleaning
- side level indicator
- non-contact soap dispensing
- enclosed sticker to identify the dispenser (if required to distinguish between soap dispenser, foam soap dispenser and disinfectant dispenser)
- illumination of the output area when the sensor is activated (blue light)
- with battery change indicator
- locking system as protection against misuse
- maintenance-free
- 134 mm wide, 278 mm high and 106 mm deep
- made of polyamide in HEWI colour 90 (jet black)
- for wall mounting
- batteries (AA 1,5 V/4 pcs.) not included in delivery

477.06.10390

HEWI SENSORIC Foam soap dispenser

- do., to be filled with standard foam soap
- non-contact foam soap dispensing

477.06.10490

HEWI SENSORIC Disinfectant dispenser

- do., to be filled with standard disinfectant
- non-contact disinfectant dispensing

HEWI Colour



90

477.06.E0360

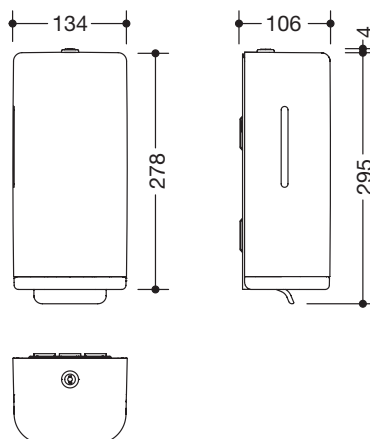
HEWI Drip tray

Item Number

Dimensions in mm / Specification



477.06.10190

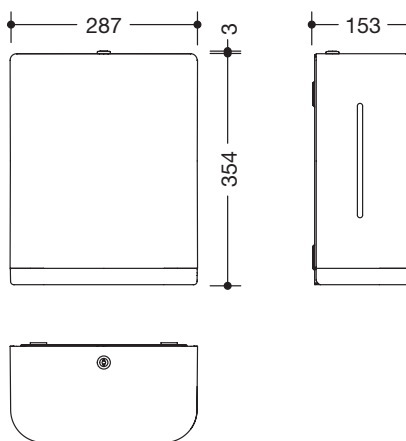


HEWI Soap dispenser

- with inner container for free filling, capacity 600 ml
- inner container can be removed for cleaning
- side level indicator
- with lever for manual soap dispensing
- locking system as protection against misuse
- 134 mm wide, 278 mm high and 106 mm deep
- made of polyamide in HEWI colour 90 (jet black)
- for wall mounting
- including non-corrosive HEWI fixing material



477.06.60190

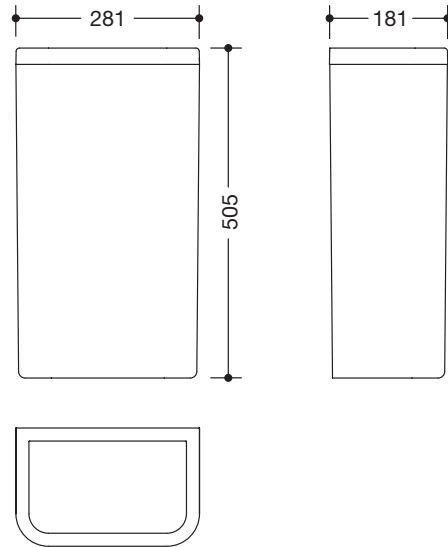


HEWI Paper towel dispenser

- to hold standard paper towels with different folds in the width 235 - 250 mm and folded length / depth of 80 - 110 mm (HEWI recommends paper towels with Z-fold)
- capacity approx. 300 - 450 paper towels, side level indicator
- locking system as protection against misuse
- 287 mm wide, 354 mm high and 153 mm deep
- made of polyamide in HEWI colour 90 (jet black)
- for wall mounting
- including non-corrosive HEWI fixing material

Item Number

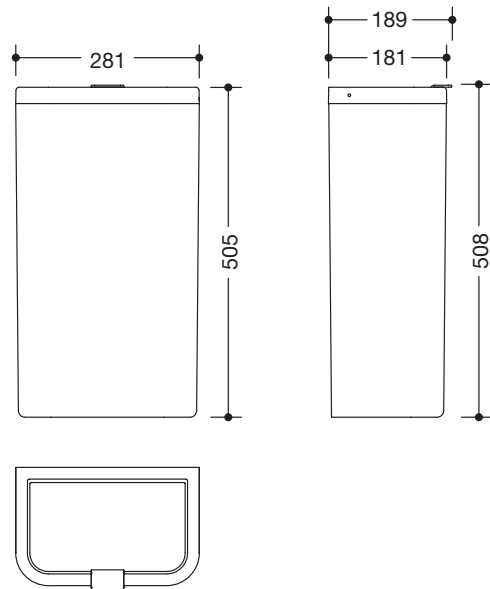
Dimensions in mm / Specification



477.05.20190

HHEWI Waste paper bin

- capacity approx. 25 l
- invisible, integrated bag holder
- 281 mm wide, 505 mm high and 181 mm deep
- made of polyamide in HEWI colour 90 (jet black)
- for wall mounting
- including non-corrosive HEWI fixing material



477.05.20290

HEWI Waste paper bin

- do., with lid with lifting flap

HEWI Colour

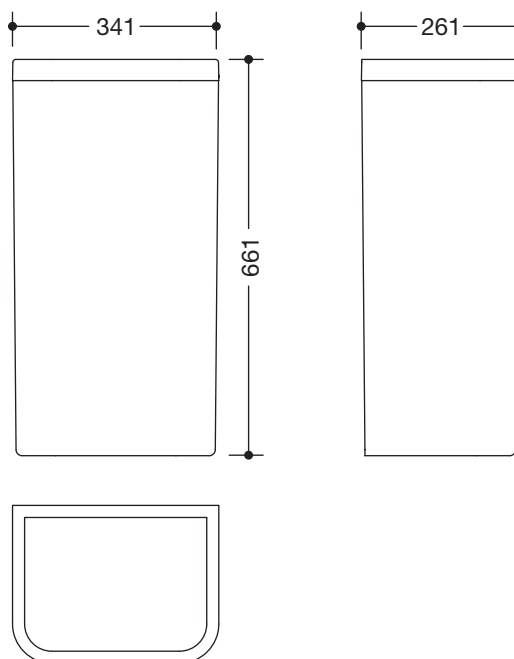
■
90

Item Number

Dimensions in mm / Specification



477.05.20390

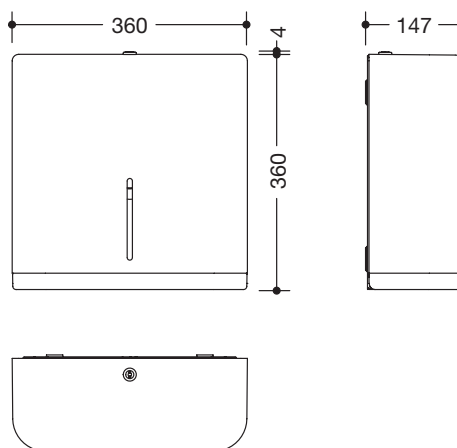


HEWI Waste bin

- capacity approx. 60 l, invisible, integrated bag holder
- 341 mm wide, 661 mm high and 261 mm deep
- made of polyamide in HEWI colour 90 (jet black)
- for wall mounting and as a free-standing model
- including non-corrosive HEWI fixing material

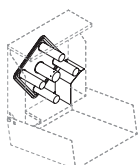


477.21.60090



HEWI Large toilet roll holder

- for holding a standard large toilet roll in diameters from 250 - 320 mm
- level indicator at the front, for wall mounting
- locking system as protection against misuse
- 360 mm wide, 360 mm high and 147 mm deep
- made of polyamide in HEWI colour 90 (jet black)
- extension possible with carousel 900.21.E01
- including non-corrosive HEWI fixing material



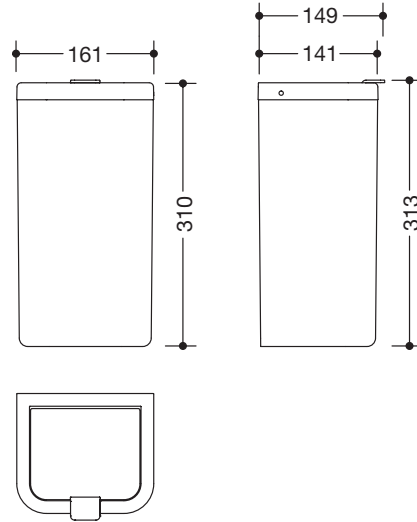
900.21.E01

HEWI Carousel

- for conversion from large toilet roll holder to quadruple toilet roll holder
- optionally available

Item Number

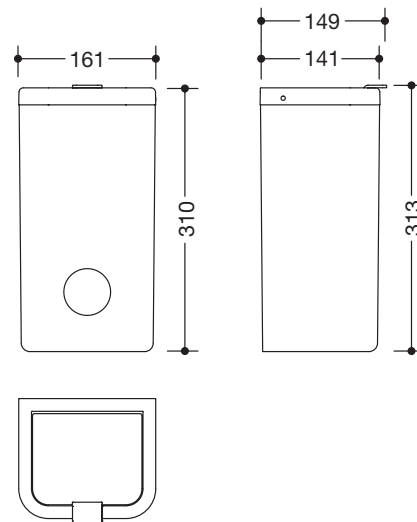
Dimensions in mm / Specification



477.05.20490

HEWI Hygiene waste bin

- capacity approx. 6 l
- invisible, integrated bag holder
- lid with lifting flap
- made of polyamide in HEWI colour 90 (jet black)
- 161 mm wide, 310 mm high and 141 mm deep
- for wall mounting
- including non-corrosive HEWI fixing material



477.05.20590

HEWI Hygiene combination

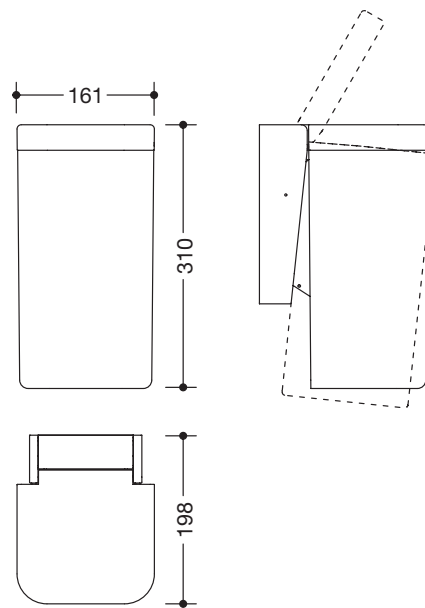
- do., with integrated holder for standard hygiene bags made of synthetic material (max. package size L 130 x B 90 x H 20 mm)

HEWI Colour

■
90

Item Number

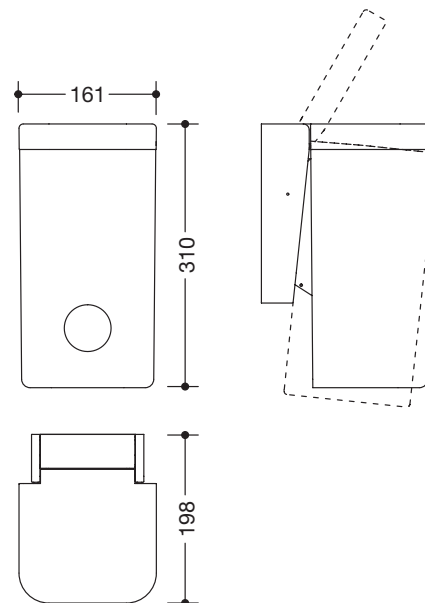
Dimensions in mm / Specification



477.05.10190

HEWI Hygiene waste bin

- capacity approx. 6 l, for wall mounting, removable
- invisible, integrated bag holder
- lid is opened by applying slight pressure to container with the knee or hand
- with self-adhesive label with instructions for knee operation
- made of polyamide in HEWI colour 90 (jet black)
- 161 mm wide, 310 mm high and 198 mm deep
- including non-corrosive HEWI fixing material



477.05.10290

HEWI Hygiene combination

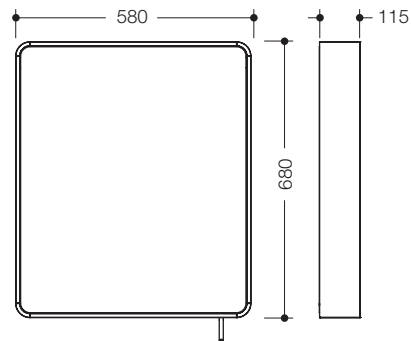
- do., with integrated holder for standard hygiene bags made of synthetic material (max. package size L 130 x B 90 x H 20 mm)

HEWI Colour

■
90

Mirrors





800.01.10160

HEWI Adjustable mirror

- rectangular plate glass mirror with rounded edges, integrated shatter protection film and tilting frame
- ergonomically shaped handle made of metal, high-quality chrome-plated
- tilting frame made of aluminum, powder-coated in the HEWI colours DX (matt white) and DC (matt black)
- easy adjustment of the tilt between 0 to 10° from a seated position
- for wall mounting
- 580 mm wide, 680 mm high and 115 mm deep
- including non-corrosive HEWI fixing material

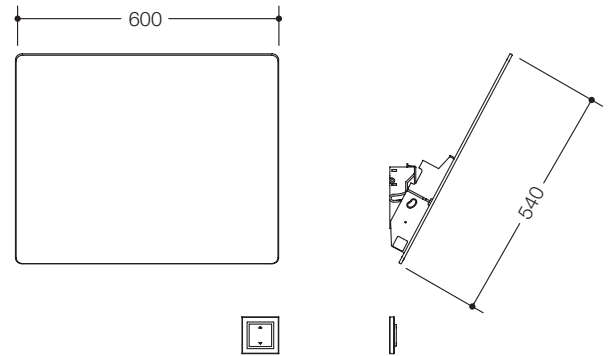
Crystal glass
 Frame
 Handle

HEWI Surfaces

- ...60 DX matt white
- ...60 DC matt black

Item Number

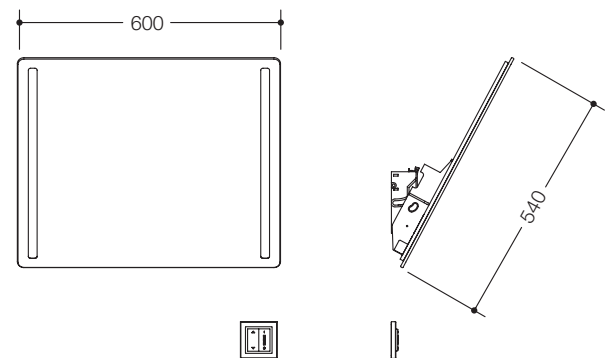
Dimensions in mm / Specification



801.01.500

HEWI Adjustable mirror, motorised

- rectangular plate glass mirror with rounded edges and integrated shatter protection film
- the motorised mirror can be tilted by a maximum of 28° and can therefore be used while standing or sitting
- for wall mounting
- 600 mm wide, 540 mm high and 6 mm thick
- mirror made of laminated glass
- suitable for power grids with mains voltages between 100 and 240 V and mains frequencies of 50 and 60 Hz and 277 V for the USA
- control via maintenance-free wireless wall switch
- wireless wall switch can be freely positioned on the wall via adhesive mounting or integrated into a 55 mm frame in the electrical installation



801.01.501

HEWI LED adjustable mirror, motorised

- do., with integrated LED lighting on the right and left side
- with two high-quality LED light profiles made of aluminum, attached to the back of the mirror
- light colour adjustable from warm white to cool white (approx. 3000 - 6500 Kelvin), Total output approx. 10 watts
- infinitely dimmable light intensity
- memory function: last selected light setting is saved for subsequent use
- LED and ballast protected, protection class II, rating IP 44

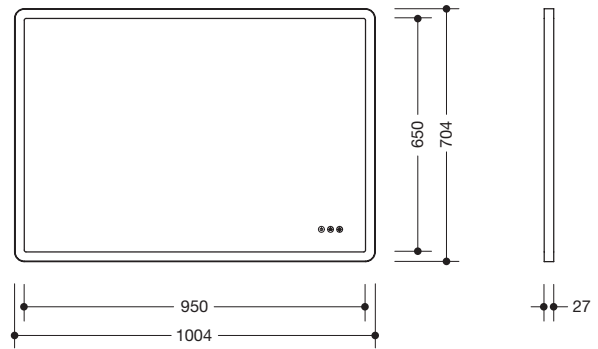


801.01.E04
801.01.E05

HEWI Radio wall switch for LED adjustable mirror 801.01.501
HEWI Radio wall switch for adjustable mirror 801.01.500



950.01.10160



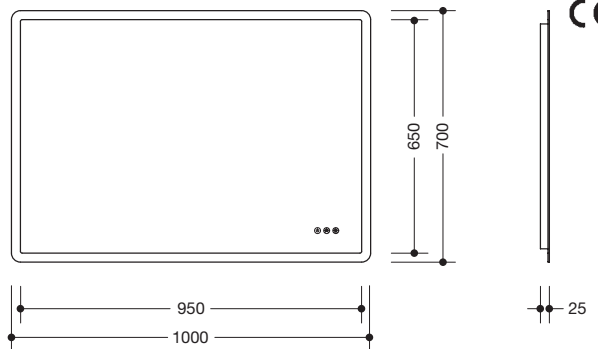
Crystal glass
 ■ Frame

HEWI LED illuminated mirror

- rectangular mirror made of high-quality float glass with polished edges, mirror 4 mm thick
- 1004 mm wide, 704 mm high, 27 mm deep
- all-round with LED backlighting
- aluminum frame powder-coated in HEWI colour DC (matt black)
- light colour adjustable from warm white to cool white (approx. 2700 - 6500K), total output approx. 44 watts
- brightness: luminous flux 3960 lm, infinitely dimmable
- control via sensor button on the mirror
- memory function: last selected light setting is saved for subsequent use
- 220-240 VAC connection, 50 - 60 Hz
- connection to room switch possible
- this product contains a light source of energy efficiency class G
- electrical safety according to VDE 100 (includes earthing)
- protection class I, IP 44
- concealed mounting, can only be mounted horizontally

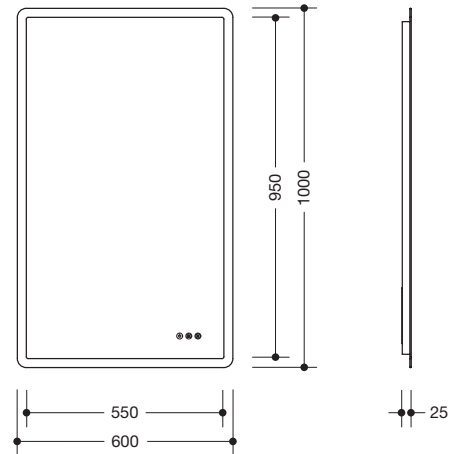


950.01.102



HEWI LED illuminated mirror

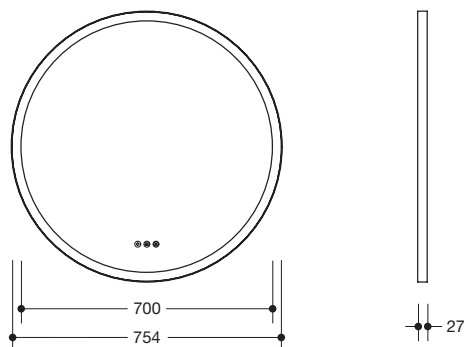
- rectangular mirror made of high-quality float glass with polished edges, mirror 4 mm thick
- 1000 mm wide, 700 mm high, 25 mm deep
- all-round with LED backlighting
- light colour adjustable from warm white to cool white (approx. 2700 - 6500K), total output approx. 44 watts
- brightness: luminous flux 3960 lm, infinitely dimmable
- control via sensor button on the mirror
- memory function: last selected light setting is saved for subsequent use
- 220-240 VAC connection, 50 - 60 Hz
- connection to room switch possible
- this product contains a light source of energy efficiency class G
- electrical safety according to VDE 100 (includes earthing)
- protection class I, IP 44
- concealed mounting, can only be mounted horizontally

**950.01.103****HEWI LED illuminated mirror**

- rectangular mirror made of high-quality float glass with polished edges, mirror 4 mm thick
- 600 mm wide, 1000 mm high, 25 mm deep
- all-round with LED backlighting
- light colour adjustable from warm white to cool white (approx. 2700 - 6500K), total output approx. 41 watts
- brightness: luminous flux 3960 lm, infinitely dimmable
- control via sensor button on the mirror
- memory function: last selected light setting is saved for subsequent use
- 220-240 VAC connection, 50 - 60 Hz
- connection to room switch possible
- this product contains a light source of energy efficiency class G
- electrical safety according to VDE 100 (includes earthing)
- protection class I, IP 44
- concealed mounting, can only be mounted vertically
- fulfils the requirements according to DIN 18040, ÖNORM B 1600/1601 and SIA 500



950.01.30460



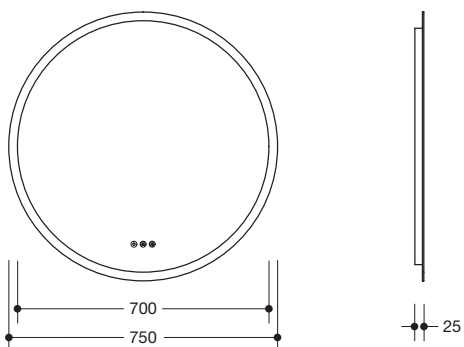
HEWI LED illuminated mirror

- round mirror made of high-quality float glass with polished edges, mirror 4 mm thick
- 754 mm, 27 mm deep
- all-round with LED backlighting
- aluminum frame powder-coated in HEWI colour DC (matt black)
- light colour adjustable from warm white to cool white (approx. 2700 – 6500K), total output approx. 29 watts
- brightness: luminous flux 2610 lm, infinitely dimmable
- control via sensor button on the mirror
- memory function: last selected light setting is saved for subsequent use
- 220-240 VAC connection, 50 - 60 Hz
- connection to room switch possible
- this product contains a light source of energy efficiency class G
- electrical safety according to VDE 100 (includes earthing)
- protection class I, IP 44
- concealed mounting

Crystal glass
 ■ Frame



950.01.305



HEWI LED illuminated mirror

- round mirror made of high-quality float glass with polished edges, mirror 4 mm thick
- 750 mm, 25 mm deep
- all-round with LED backlighting
- light colour adjustable from warm white to cool white (approx. 2700 – 6500K), total output approx. 29 watts
- brightness: luminous flux 2610 lm, infinitely dimmable
- control via sensor button on the mirror
- memory function: last selected light setting is saved for subsequent use
- 220-240 VAC connection, 50 - 60 Hz
- connection to room switch possible
- this product contains a light source of energy efficiency class G
- electrical safety according to VDE 100 (includes earthing)
- protection class I, IP 44
- concealed mounting

Stools with chrome frame

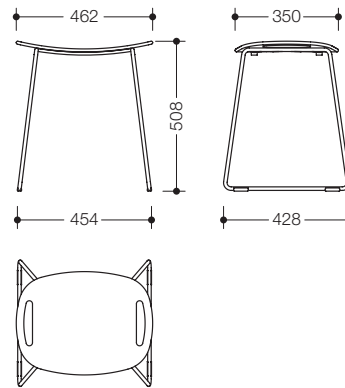


Item Number

Dimensions in mm / Specification



950.51.40040



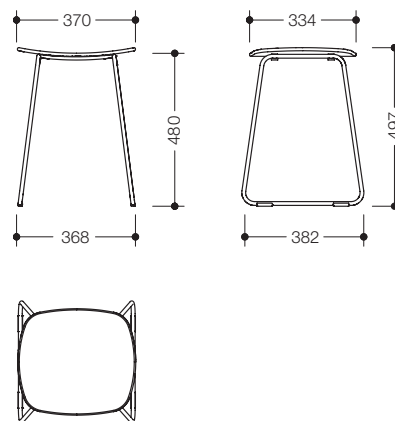
HEWI Shower stool

- mobile, light stool from the Re-seat family
- spacious, pleasantly warm seat made of high-quality PIR synthetic material (Post-Industrial-Recycling), slightly textured
- with integrated handle recesses for easy sitting down and standing up
- loading capacity 150 kg
- 507 mm high, 489 mm wide and 428 mm deep, weight 5,2 kg
- seat 462 mm wide and 300 mm deep, seat height: 482 mm
- seat made of high-quality PIR synthetic material (Post-Industrial-Recycling) in HEWI colours JH (forest green) or JJ (dark granite grey) with chrome frame
- with anti-slip foot caps

■ Frame
■ Seat



950.51.40140



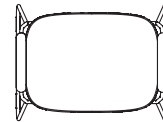
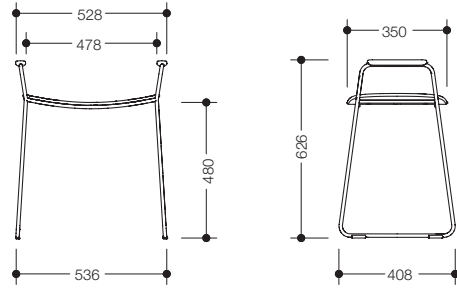
HEWI Shower stool

- mobile, light stool from the Re-seat family
- pleasantly warm seat made of high-quality PIR synthetic material (Post-Industrial-Recycling), slightly textured
- loading capacity 150 kg
- 370 mm wide, 497 mm high and 382 mm deep, weight 4,4 kg
- seat 370 mm wide and 334 mm deep, seat height: 480 mm
- seat made of high-quality PIR synthetic material (Post-Industrial-Recycling) in HEWI colours JH (forest green) or JJ (dark granite grey) with chrome frame
- with anti-slip foot caps

■ Frame
■ Seat

Item Number

Dimensions in mm / Specification

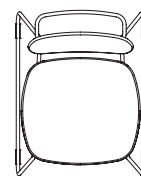
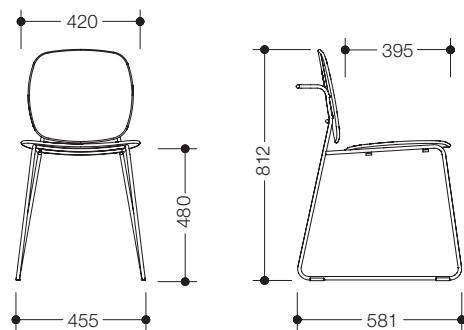


950.51.40240

HEWI Shower stool

- mobile, light stool from the Re-seat family
- with integrated handle recesses for easy sitting down and standing up
- spacious, pleasantly warm seat made of high-quality PIR synthetic material (Post-Industrial-Recycling), slightly textured
- loading capacity 150 kg
- 536 mm wide, 626 mm high and 408 mm deep, weight 6,8 kg
- seat 478 mm wide and 350 mm deep, seat height: 480 mm
- seat and armpads made of high-quality PIR synthetic material (Post-Industrial-Recycling) in HEWI colours JH (forest green) or JJ (dark granite grey) with chrome frame
- with anti-slip foot caps

- Frame
- Seat



950.51.41040

HEWI Bath chair

- mobile, multipurpose stool with towel rail Re-seat family, suitable for the shower
- pleasantly warm seat made of high-quality PIR synthetic material (Post-Industrial-Recycling), slightly textured
- loading capacity 150 kg
- 455 mm wide, 812 mm high and 581 mm deep, weight 7,6 kg
- seat 420 mm wide and 395 mm deep, seat height: 480 mm
- seat and backrest made of high-quality PIR synthetic material (Post-Industrial-Recycling) in HEWI colours JH (forest green) or JJ (dark granite grey) with chrome frame
- with anti-slip foot caps

- Frame
- Seat

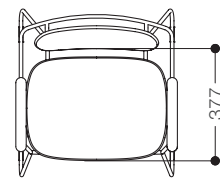
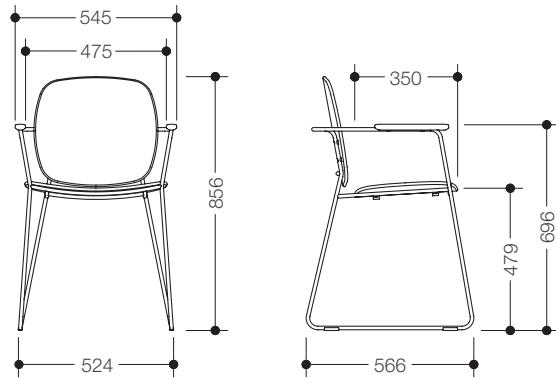
HEWI Colours

- ...40 JH forest green synthetic material
- ...40 JJ dark granite grey synthetic material



- Frame
- Seat

950.51.41140



HEWI Bath chair

- mobile, multipurpose stool with towel rail and armrests from the Re-seat family, suitable for the shower
- spacious, pleasantly warm seat and backrest made of high-quality PIR synthetic material (Post-Industrial-Recycling), slightly textured
- loading capacity 150 kg
- 545 mm wide, 836 mm high and 565 mm deep, weight 9,9 kg
- seat 475 mm wide and 350 mm deep, seat height: 479 mm
- seat, backrest and armrests made of high-quality PIR synthetic material (Post-Industrial-Recycling) in HEWI colours JH (forest green) or JJ (dark granite grey) with chrome frame
- with anti-slip foot caps

HEWI Colours

- ...40 JH forest green synthetic material
- ...40 JJ dark granite grey synthetic material

Item Number

Dimensions in mm / Specification

International terms and conditions of sale

§ 1 Applicability of these International Terms and Conditions of Sale

(1) The terms and conditions set out in these International Terms and Conditions of Sale, which form an integral part of the Contract of Sale, apply to all Contracts of Sale concluded as of 2 January 2020 if the buyer's relevant place of business is outside of Germany. These International Terms and Conditions of Sale apply exclusively. The buyer's terms and conditions which conflict or differ from these International Terms and Conditions of Sale and/or from the legal provisions do not apply, even if we do not object to them or render performance or accept the buyer's performance.

(2) These Terms and Conditions of Sale do not apply if the goods are bought for personal, family or household use and we knew or ought to have known at any time before or at conclusion of the Contract of Sale that the goods were bought for any such use. The buyer declares that the goods are not bought for personal, family or household use.

§ 2 Formation of the Contract of Sale

(1) A Contract of Sale always requires a written order of the buyer.

(2) We may accept the buyer's written order with our order acknowledgement (hereinafter the "Order Acknowledgement") within 10 (ten) calendar days after receipt of the buyer's order.

§ 3 Applicable Law

(1) The Contract of Sale is governed by the United Nations Conventions of 11 April 1980 on Contracts for the International Sale of Goods (UN Sales Convention/CISG) in the English version and all legal questions beyond the scope of the CISG are governed by the Swiss law of obligations (Obligationenrecht). The CISG also applies to all agreements as to the jurisdiction of courts and arbitral tribunals.

(2) Should commercial terms be used the Incoterms® 2020 of the International Chamber of Commerce apply taking into account the provisions stipulated in these International Terms and Conditions of Sale.

§ 4 Specifications of the goods; Third party rights

(1) The goods to be delivered have to conform to the specifications and quality requirements set out in the Order Acknowledgement. To the extent no specifications or quality requirements are stated in the Order Acknowledgement, the goods conform with the contract if they are fit for the purpose which is usual in Germany and fit for the purpose for which goods of the same description are usually used for in Germany. Unless otherwise explicitly agreed to, the goods do not have to conform to any laws or regulations existing outside of Germany. Should the conformity of the goods depend on the field of application of the goods, the buyer shall also be responsible for ensuring that the goods are suitable for the purpose intended by him.

(2) Should the buyer intend to use the goods in circumstances which are unusual or which could entail a particular risk to the safety and health of any person or to the environment, the buyer has to inform us in writing about these intentions before concluding the Contract of Sale.

(3) Rights and claims of third parties (in particular rights and claims based on title or industrial property rights) only constitute a defect in title if these rights and/or claims are in force and registered in Germany and impede the use of the goods in Germany.

§ 5 Obligation to deliver; Passing of risk

(1) We have to deliver the goods referred to in the Order Acknowledgement including a packaging that is suitable for the means of transportation.

(2) Delivery has to be made FCA Incoterms 2020 at our premises in 34454 Bad Arolsen/Germany. We are not obliged to contract for carriage and we are not obliged to inform the buyer that the goods have been delivered or that the carrier or another person nominated by the buyer has failed to take the goods within the time agreed. We are however entitled to contract for carriage in our own name at the buyer's risk and expense; the costs resulting therefrom will be charged to the buyer with the invoice. We are also entitled to contract for carriage on behalf of the buyer at the buyer's risk and expense. In all such instances where we contract for carriage at buyer's risk and expense, the place of performance for delivery will be 34454 Bad Arolsen/Germany.

(3) Adherence to the delivery date respectively the delivery period stated in the Order Acknowledgement is not of the essence and non-adherence to the delivery date or the delivery period respectively does not constitute a fundamental breach of contract. If delivery periods are agreed to, we reserve the right to determine the exact delivery time within the delivery period.

(4) All delivery dates and delivery periods are dependent upon the buyer performing all of his obligations in due time. In particular, the buyer has to procure or confirm any necessary permits, drawings etc. and make agreed payments in due time.

(5) We are entitled to make partial deliveries and to invoice these separately.

(6) The passing of risk takes place with delivery in accordance with § 5 sec. 2. Should the buyer fail to take delivery, the risk passes at the time the buyer fails to take delivery.

(7) In addition to our statutory rights we are entitled to suspend the performance of our obligations if there are reasonable indications that the buyer will not perform his obligations under the Contract of Sale, in particular not be able to pay the agreed price in due time.

§ 6 Delivery Note, Invoice and other documents

(1) We will provide the buyer with a delivery note issued according to our standard.

(2) Irrespective of the Incoterms-clause used, we are not obliged to clear the goods for export. We will however at the buyer's risk and expense apply for any necessary export licences and formalities as regards customs provided that the buyer has provided us with all necessary information.

(3) We will provide the buyer only with such documents explicitly stated on the Order Acknowledgement.

§ 7 Force Majeure

Any inability to supply as a result of force majeure or other unforeseen incidents outside our responsibility including, without limitation, strike, lock out, acts of public authorities, subsequent cease of export or import opportunities shall, for their duration and in accordance with their impact, relieve us from the obligation to comply with any agreed delivery period and delivery time as well as any other obligation.

§ 8 Obligation to pay the purchase price

(1) The buyer is obliged to pay the agreed purchase price to the bank account nominated by us. Insofar as pursuant to the Order Acknowledgement the packaging costs are not included in the purchase price, these costs are to be paid in addition to the purchase price. The place of payment is 34454 Bad Arolsen/Germany. Banking fees accrued outside of Germany will be borne by the buyer. The payment shall be made without any deductions and is due for payment on the date or within the time limit as stated on the Order Acknowledgement. A time limit for payment stated on the Order Acknowledgement shall be calculated from the date of invoice. In the absence of any payment dates or time limits stated on the Order Acknowledgement, payment shall be made within 30 (thirty) calendar days after date of invoice. The buyer's acceptance of the goods is no precondition for the payment to become due.

(2) The agreed prices shall exclude any statutory VAT applicable at the date of delivery.

(3) The buyer is only entitled to exercise a lien or to suspend his performance if this is based on the same transaction as well as based on a due and undisputed or finally adjudicated counterclaim of the buyer.

(4) The buyer may only offset any claims insofar as the buyer's counter-claim is acknowledged, undisputed or assessed in a legally binding judgement.

(5) If and till such time the buyer is in arrears with payment of the purchase price, the buyer is obliged to pay interest at the rate of nine (9) percentage points above the base rate of the German Central bank per annum.

§ 9 Non-Conforming goods; Goods with a defect in title

(1) The goods do not conform to the contract if at the time the risk passes they significantly deviate from the requirements set out in § 4 sec. 1 and sec. 2.

(2) The goods are not free from rights or claims of third parties if at the time the risk passes they significantly deviate from the requirements set out in § 4 sec. 3.

§ 10 Duty of examination and notification

(1) Without prejudice to the legal provisions, the buyer is obliged to examine the goods comprehensively in respect of deviations as regards type, quantity, quality and packaging. If necessary, the buyer is obliged to conduct the examination with the help of external third parties.

(2) Notice of non-conformity has to be made in within ten (10) calendar days. For very obvious non-conformities, the period for such notification starts with the delivery of the goods, in all other cases after the buyer has discovered the non-conformity or ought to have discovered it. Notice of non-conformity has to be given in writing. The notice of non-conformity has to clearly indicate and describe the non-conformity in such a way that we can take remedial actions.

(3) Apart from the aforesaid as well as with respect to defects in title, the statutory provisions apply.

§ 11 Limitation Period

Without prejudice to claims resulting from a malicious, grossly negligent or intentional conduct as well as claims due to injury of life, body or health, the buyer's claims in respect of the delivery of non-conforming goods and goods with a defect in title become time-barred one (1) year after delivery of the goods.

§ 12 Remedies in case of non-conforming goods and goods with a defect in title; Limitation of Liability

(1) In case of delivery of non-conforming goods, the buyer can claim delivery of substitute goods, rectification of a non-conformity by repair, reduce the purchase price or declare avoidance of the Contract of Sale only in accordance with the legal provisions. Delivery of substitute goods and rectification of a non-conformity by repair does not include the removal of the non-conforming goods nor the assembly of the repaired or of the substitute goods.

(2) To the extent any costs associated with performing remedies are increased by the fact that the buyer has removed the goods to a place not stated in the Order Acknowledgement or, in the absence of such an indication, to a place other than the buyer's place of business, these costs will be borne by the buyer.

(3) Delivery of substitute goods or repair does not lead to a restart or extension of the limitation period.

(4) If we deliver non-conforming goods or goods with a defect in title or breach any other obligation resulting from the Contract of Sale or the business relationship with the buyer, the buyer is entitled to demand damages only in accordance with the following provisions and any recourse to concurrent bases of claim (in particular of a non-contractual nature) is excluded:

a. We are not liable for the conduct of our suppliers or subcontractors. Neither are we liable for damages to which the buyer has contributed.

b. The buyer has to prove that either our directors or employees or other members of staff have deliberately or negligently breached contractual obligations owed to the buyer.

c. In case of liability, the amount of damages for late delivery is limited to 0,5 per cent for each full week of delay, up to a maximum of 5 per cent of the purchase price of the goods delivered late or not at all, and in case of remedies because of delivery of non-conforming goods and/or goods with a defect in title and in case of all other breaches of obligations is limited to the purchase price of the goods affected.

d. Irrespective of § 12 sec. 5 c), we are not liable for loss of profit.

e. The aforesaid limitations in § 12 sec. 5 do not apply

i. to injury of life, body or health,

ii. if we have acted maliciously, grossly negligent or intentionally,

iii. if we are liable according to mandatory product liability laws, and

iv. to liabilities which may not be excluded or limited according to the applicable laws.

(5) Apart from the aforesaid, the statutory provisions apply.

§ 13 Right to use Software; Rights in documents etc.

(1) In case the goods include software, with the delivery of the goods the buyer is hereby granted a non-exclusive, royalty-free license to use the software, but strictly and only in connection with the goods purchased under this Contract of Sale. With the exception of the right to make one backup copy, the buyer is not entitled to copy the software.

(2) We reserve all intellectual property rights in any documents, pictures, drawings etc. (collectively "Documents") arising in connection with the performance of the obligations arising under the Contract of Sale and such Documents shall belong exclusively to us.

§ 14 Other Provisions

(1) Title of the goods that have been delivered remains with us until all of our claims against the buyer have been settled.

(2) We are not obliged to perform any obligations not stated in the written Order Acknowledgement or in these International Terms and Conditions of Sale.

(3) There are no side agreements to the Contract of Sale.

(4) Any amendments to a concluded Contract of Sale require our written confirmation, duly approved by signature.

(5) The buyer is not entitled to assign his rights and obligations against us to a third party.

(6) The place of performance for delivery is governed in § 5 sec. 2, the place of performance for the payment in § 8 sec. 1. For all remaining obligations and irrespective of the agreement of a differing Incoterms-clause, the place of performance is agreed to be 34454 Bad Arolsen/Germany, including for a replacement delivery, for the rectification of non-conformities and for the restitution of the contractual obligations in case of avoidance of the Contract.

(7) All communications, declarations, notices etc. (hereinafter collectively "Notices") are to be drawn up exclusively in German or English. Notices by means of fax or email fulfill the requirement of being in writing. A signature is not required, unless these International Terms and Conditions of Sale explicitly require a signature.

§ 15 Agreement on arbitration and jurisdiction

(1) If the Buyer's place of business is located within the European Economic Area and/or within Switzerland, for all disputes, including disputes under insolvency law, arising out of or in connection with a Contract of Sale and/or these International Terms and Conditions of Sale, including its validity, invalidity, violation or cancellation as well as other disputes arising out of the business relationship between the Buyer and us, the state court which has jurisdiction for 34454 Bad Arolsen/Germany shall have exclusive jurisdiction. Instead of bringing an action before the state court which has jurisdiction for 34454 Bad Arolsen/Germany, we are also entitled to bring an action before the state court of the Buyer's place of business.

(2) If the Buyer's place of business is located outside of both the European Economic Area and Switzerland, all contractual and extra-contractual disputes, including disputes under insolvency law, arising out of or in connection with a Contract of Sale and/or these International Terms and Conditions of Sale, including its validity, invalidity, violation or cancellation as well as other disputes arising out of the business relationship between the Buyer and us shall be finally settled in accordance with the Swiss Rules of International Arbitration of the Swiss Chambers' Arbitration Institution in force on the date on which the Notice of Arbitration is submitted in accordance with these Rules. The place of the arbitration shall be Zurich/Switzerland, the language used in the arbitral proceedings shall be English.

§ 16 Severability

If provisions of these International Terms and Conditions of Sale should be or become partly or wholly ineffective, the remaining provisions will continue to apply. We and the buyer are bound to replace the ineffective provision with a legally valid provision as close as possible to the commercial meaning and purpose of the ineffective provision.

HEWI

GERMANY

HEWI Heinrich Wilke GmbH
Postfach 1260
34442 Bad Arolsen
Phone: +49 5691 82-0
Fax: +49 5691 82-319
international@hewi.com

HEWI NORDIC APS

Industriholmen 21
2650 Hvidovre
Danmark
info@hewi.dk

www.hewi.com

USA

HEWI Inc.
350 Fifth Avenue
Suite 5220
New York, NY 10118
(917) 734-4112
www.hewi.us