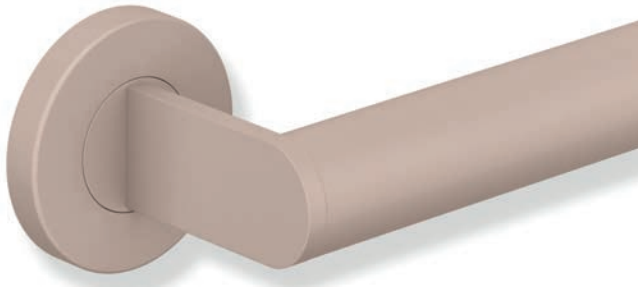


Special colours Sanitary

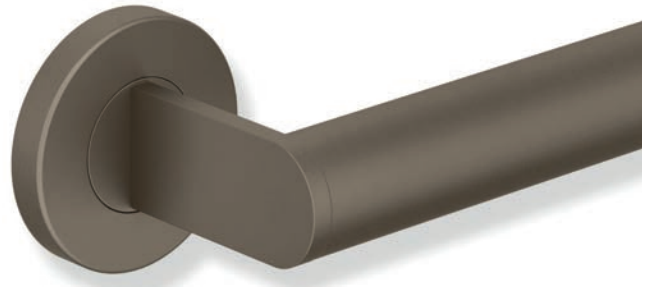
HEWI

System 162
System 900
System 900 Q
Modular washbasin system

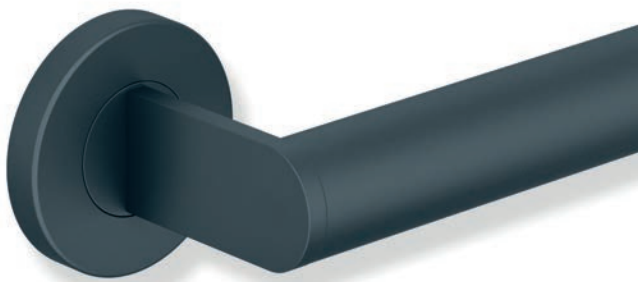




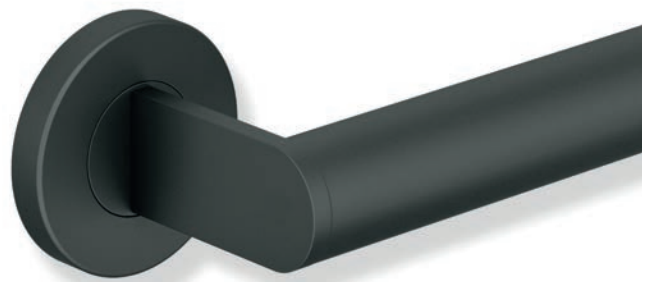
Faded
Cinder
Rose



Soothing
Cedar
Brown



Dark
Breeze
Blue



Somber
Sage
Green

CHOOSE YOUR OWN COLOUR

Special colour powder coating

HEWI is expanding its range of special surface colours for the project business. You can individually select your desired colour from the **RAL Classic**, **RAL Design plus** or **Pantone palette (Fashion, Home + Interiors Color Guide Book)** as well as from the four HEWI favourite colours (**Faded Cinder Rose**, **Soothing Cedar Brown**, **Somber Sage Green** and **Dark Breeze Blue**). Furthermore, the **surfaces matt** or **gloss** are available for selection.

Sample

HEWI samples your desired colour shade in advance. You will receive your desired colour on a sample plate (78 x 222 mm) for approval.

Service

If you have any questions, please get in touch with local contact or the HEWI Service Centre.

United Kingdom

Phone: +44 1634 258200

eMail: info@hewi.co.uk

International

Phone: +49 5691 82-0

eMail: international@hewi.com

www.hewi.com

Order process



=

Powder coating

- **Specification of the colour value:** RAL Classic, RAL Design plus or Pantone palette (Fashion, Home + Interiors Color Guide Book) or the four HEWI favourite colours
- **Surface:** glossy or matt



=

Powder coating

- **Specification of the colour value:** RAL Classic, RAL Design plus or Pantone palette (Fashion, Home + Interiors Color Guide Book) or the four HEWI favourite colours
- **Surface:** glossy or matt

+

Colour of the synthetic elements

- **Predefined selection options**
(e.g. soap dispenser insert)



=

Powder coating

- **Specification of the colour value:** RAL Classic, RAL Design plus or Pantone palette (Fashion, Home + Interiors Color Guide Book) or the four HEWI favourite colours
- **Surface:** glossy or matt

+

Colour of the synthetic elements

- **Predefined selection options**
(e.g. seat/backrest/armrests)

+

Colour of the synthetic components

- **Predefined selection options**
(applications/caps)

SYSTEM 900 Q | ACCESSOIRES



New
Glass tumbler with holder
900Q04.000.. page 12

- Holder
- Tumbler



New
Soap dispenser with holder
900Q06.000.. page 12

- Holder
- Soap dispenser
- Pump head



New
Shelf with soap dispenser
900Q03.002... | 200 mm page 13

- Shelf
- Soap dispenser
- Pump head



New
Shelf
900Q03.000... | 200 mm page 13

-



New
Shelf with glass panel
900Q03.007... | 600 mm page 15

- Holder
- Shelf plate



New
Single hook
900Q90.000... page 14

-



New
Double hook
900Q90.002... page 14

-



New
Hook strip
900Q90.003... page 14

-



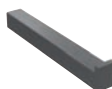
New
Towel rail
900Q09.000... page 15

-



New
Towel rail | Bath towel rail
900Q30.000... | 250 mm p. 15, 19
900Q30.001... | 600 mm page 19
900Q30.002... | 800 mm page 19

-



New
Spare roll holder, single
900Q21.003... page 17

-



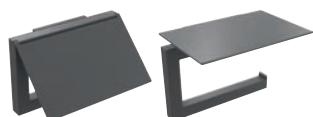
New
Spare roll holder, double
900Q21.004... page 17

-



New
Toilet roll holder
900Q21.000... page 16

-



New
Toilet roll holder with lid | with shelf
900Q21.001... page 16
900Q21.002... page 16

-



New
Toilet brush unit
900Q20.000... page 17

- Holder, brush handle
- Brush container



New
Toilet brush unit | with lid
900Q20.001... page 18
900Q20.002... page 18

- Insert always black

HEWI COLOURS | INSERTS

- 98 (signal white)
- 92 (anthracite grey)
- 90 (jet black)
- Satin crystal glass

MATERIAL SURFACE

- Chrome
- ...powder-coated matt white (RAL 9003)
- ...powder-coated matt black (RAL 9005)

SYSTEM 162 | ACCESSOIRES



Tumbler with holder
162.04.11060 page 22

- Holder
- Tumbler



Soap dispenser with holder
162.06.11165 page 22

- Holder
- Flacon
- Pump head



Shelf
162.03.11560 page 443

- Holder
- Shelf



Towel rail
162.09.10060 page 443



Hook | Double hook
162.90.01060 page 35
162.90.03060 page 35



Toilet roll holder
162.21.10060 page 36



New
Toilet roll holder with shelf
162.21.11060 page 35



Spare roll holder
162.21.30060 page 37



Toilet brush unit | Toilet brush
162.20.10060 page 40



New
Towel rail
162.30.10060 page 43



Bath towel rail
162.30.20060 | 600 mm page 43
162.30.20160 | 800 mm page 43



SYSTEM 900 | ACCESSOIRES



Tumbler with holder
900.04.00060 page 22

- Holder
- Tumbler



Soap dispenser with holder
900.06.00160 page 23
900.06.00060 page 23

- Holder
- Flacon
- Pump head



Soap dispenser
900.06.00460 page 24



Soap | Foam soap | Disinfectant dispenser
900.06.00560 HEWI SENSORIC® p. 24
900.06.00760 HEWI SENSORIC® p. 24
900.06.00860 HEWI SENSORIC® p. 24



Paper towel dispenser
900.06.00960 page 29



Electronic paper roll dispenser
900.06.01060 page 29



Waste paper bin
900.05.00160 page 30
900.05.00360 page 31



Waste paper bin with lid
900.05.00260 page 30
900.05.00460 page 31



Electronic disinfectant dispenser, upright model
900.06.01560 | HEWI SENSORIC® p. 25



Electronic disinfectant dispenser, wall model
900.06.01660 | HEWI SENSORIC® p. 25



Disinfectant dispenser column
900.06.01360 | HEWI SENSORIC® p. 26
900.06.01460 | HEWI SENSORIC® p. 28



Shelf with support rail
900.03.00060 page 32

- Holder
- Shelf



Towel rail
900.09.00160 page 33

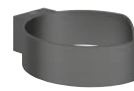


Towel ring
900.09.00260 page 33



Hair dryer holder
900.00.00060 page 34

- Holder
- Insert



Walking aid holder
900.90.00160 page 34



HEWI COLOURS | INSERTS

- 98 (signal white)
- 92 (anthracite grey)
- 90 (jet black)
- Satin crystal glass

MATERIAL SURFACE

- Chrome
- ...powder-coated matt white (RAL 9003)
- ...powder-coated matt black (RAL 9005)



Toilet roll holder
900.21.00060 page 36



Toilet roll holder with shelf
900.21.00460 page 36



Toilet roll holder with lid
900.21.00560 page 37



Spare roll holder
900.21.00660 page 37



Large toilet roll holder
900.21.00160 page 38



Hygiene bag dispenser
900.06.01160 page 38



Hygiene waste bin / -combination
900.05.00560 page 39
900.05.00660 page 39



Toilet brush unit | Toilet brush
900.20.00060 page 40
900.20.01060 page 41



Insert always black



Toilet brush unit with lid | Toilet brush
900.20.00160 page 41
900.20.02060 page 41



Insert always black



Shower basket
900.03.00160 page 42



- Holder
- Insert



Shower basket
900.03.00260 page 42



- Holder
- Insert



Ceiling support
900.34.00... page 47



Shower curtain rail
900.34.40...60 page 46



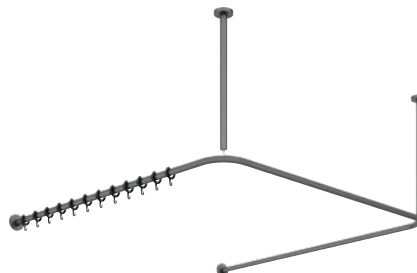
- Rail
- Curtain rings



Shower curtain rail
900.34.10...60 page 44



- Rails
- Curtain rings



Shower curtain rail
900.34.30...60 page 45



- Rails
- Curtain rings

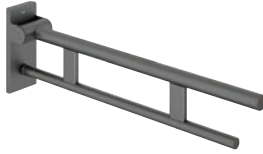
SYSTEM 900 | ACCESSIBILITY



Hinged support rail Mono, Design A
900.50.1... | 600 mm page 52
900.50.4... | mobile page 56



Applications



Hinged support rail Duo, Design A
900.50.... from page 52
900.50.4... | mobile from page 56



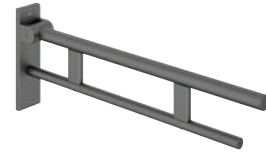
Applications



Hinged support rail Mono, Design B
900.50.4... page 53



Applications



Hinged support rail Duo, Design B
900.50.4... from page 53



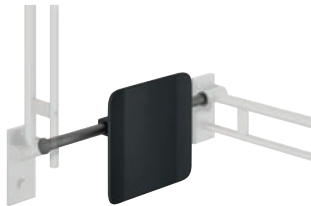
Applications



Hinged support rail
900.50.... page 60



Rail Applications



Backrest rail
900.51.901... | ...006... page 61



Rails Backrest Applications



Backrest rail
900.51.902... | ...03... page 64
900.51.91... | mobile page 64
900.51.907... | ...08... page 65



Rails Backrest Applications



Backrest rail
900.51.900... page 62
900.51.911... | mobile page 62
900.51.905... page 63
900.51.914... | mobile page 63
900.51.904... | ...909... page 66



Rails Backrest Applications



Support rail
900.36.0... from page 70



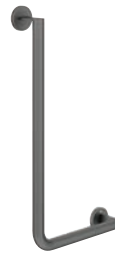
Applications



L-shaped support rail | with toilet roll holder
900.22.3... from page 72



Applications



L-shaped support rail | with toilet roll holder
900.22.1... from page 74



Applications



Support grab rail
900.35.1... from page 76



Applications



New Rail with shower head holder
900.33M0... from page 78



Applications Shower head holder



New L-shaped support rail with shower head holder
900.33M2... from page 80



Applications Shower head holder



New Rail with adjustable vertical support bar and shower head holder
900.35M3... from page 82



Applications Shower head holder



New Rail with adjustable vertical support bar and shower head holder
900.35M4... from page 87



Applications Shower head holder

HEWI COLOURS | INSERTS

- 98 (signal white)
- 92 (anthracite grey)
- 90 (jet black)

MAGNETIC SHOWER HOLDER

- ...powder-coated in desired colour | insert in matt light grey
- ...powder-coated in desired colour | insert in matt black

Product range | **Special colours**



Hinged seat
900.51.20060 page 94
900.51.40060 | mobile page 98

- Wall bracket
- Seat



Hinged seat | with hygiene cutout
900.51.20...60 page 95
900.51.40...60 | mobile page 99

- Wall bracket
- Seat



Hinged seat with floor support
900.51.20160 page 96

- Wall bracket, floor support
- Seat
- Caps



Hinged seat with floor support | with hygiene cutout
900.51.2...60 page 97

- Wall bracket, floor support
- Seat
- Caps



Hanging seat
900.51.1...60 from page 104

- Hanging device
- Seat, backrest
- Applications, caps



Hanging seat with hygiene cutout
900.51.1...60 from page 106

- Hanging device
- Seat, backrest
- Applications, caps



Hanging seat with armrests
900.51.1...60 from page 105

- Hanging device
- Seat, backrest, armrest
- Applications, caps



Hanging seat with armrests and hygiene cutout
900.51.1...60 from page 107

- Hanging device
- Seat, backrest, armrest
- Applications, caps

MODULAR WASHBASIN SYSTEM



Washbasin set
950.19.07... from page 118
950.19.08... from page 118

- Modular accessories
- Mineral composite



Washbasin set
950.19.085 page 123
950.19.086 page 123

- Modular accessories
- Mineral composite



Washbasin set
950.19.087 page 124
950.19.088 page 124

- Modular accessories
- Mineral composite



Washbasin set
950.19.089 page 125
950.19.090 page 125

- Modular accessories
- Mineral composite



Washbasin | Configuration
950.13.20... from page 126

Mineral composite



Washbasin | Configuration
950.13.30... from page 128

Mineral composite



Washbasin | Configuration
950.13.20...S from page 130

Mineral composite



Wall profiles | Set
950.13.00... from page 140

- Wall profiles, modular accessories

Special colours
System 900 Q | Accessoires



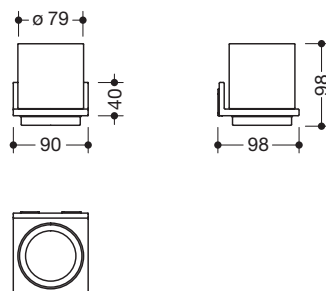


Item Number

Dimensions in mm / Specification



New 900Q04.00060 ZB



HEWI Glass tumbler with holder

- holder made of metal, powder-coated in desired colour
- with protective film on the inside for a secure, defined position and to protect the insert from damage
- 90 mm wide, 98 mm high, 98 mm deep
- cylindrical tumbler made of high-quality, satin crystal glass
- for wall mounting, concealed fixing
- including non-corrosive HEWI fixing material

Ordering information: item number, desired colour shade glossy or matt

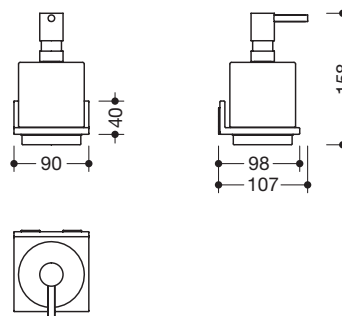
- Holder
- Tumbler

100.04.E01

HEWI Glass tumbler



New 900Q06.00060 ZF



HEWI Soap or disinfectant dispenser with holder

- to be filled with standard liquid soap, disinfectants and gels
- holder made of metal, powder-coated in desired colour
- pump head optionally in matt black, matt white or chrome-plated
- with protective film on the inside for a secure, defined position and to protect the insert from damage
- 90 mm wide, 158 mm high, 98 mm deep
- soap dispenser made of high-quality, satin crystal glass
- capacity approx. 250 ml
- for wall mounting, concealed fixing
- including non-corrosive HEWI fixing material

Ordering information: item number, desired colour shade glossy or matt, pump head surface

- Holder
- Pump head
- Soap dispenser

100.06.E01
100.03.E02
950.06.E02
950.06.E05

HEWI Glass container
HEWI Pump head, chrome
HEWI Pump head, matt black
HEWI Pump head, matt white

HEWI Powder coating | Surfaces

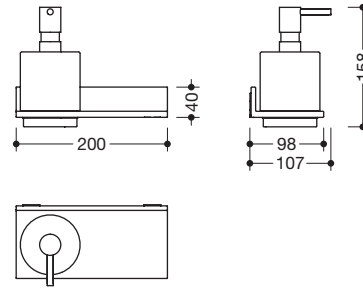
- Desired colour shade** (RAL Classic, RAL Design plus or Pantone palette (Fashion, Home + Interiors Color Guide Book))
- Glossy or matt**

Item Number

Dimensions in mm / Specification



New 900Q03.00260 ZF



HEWI Shelf with soap or disinfectant dispenser

- to be filled with standard liquid soap, disinfectants and gels
- shelf powder-coated in desired colour with pump head optionally in matt black, matt white or chrome-plated
- with protective insert made of synthetic material for a secure, defined position and to protect the insert from damage
- 200 mm wide, 158 mm high, 98 mm deep
- soap dispenser made of high-quality, satin crystal glass
- capacity approx. 250 ml
- for wall mounting, concealed fixing
- including non-corrosive HEWI fixing material

Ordering information: item number, desired colour shade glossy or matt, pump head surface

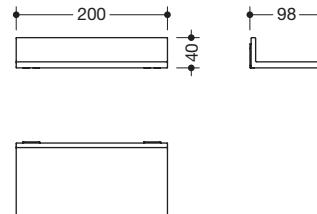
- ☒ Shelf
- ☐ ☐ ☐ Pump head
- ☐ Soap dispenser

100.06.E01
100.03.E02
950.06.E02
950.06.E05

HEWI Glass container
HEWI Pump head, chrome
HEWI Pump head, matt black
HEWI Pump head, matt white



New 900Q03.00060 ZB



HEWI Shelf

- made of metal, powder-coated in desired colour
- 200 mm wide, 40 mm high, 98 mm deep
- for wall mounting, concealed fixing
- including non-corrosive HEWI fixing material

Ordering information: item number, desired colour shade glossy or matt



HEWI Surfaces

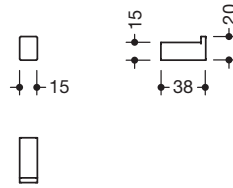
- ☐ ☐ ☐ matt white
- Chr Glass ☐ matt black

Item Number

Dimensions in mm / Specification



New 900Q90.00060 ZB



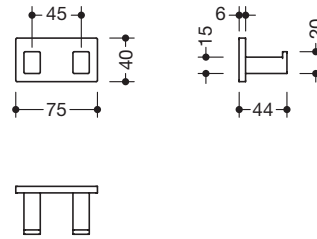
HEWI Single hook

- made of high-quality stainless steel, powder-coated in desired colour
- 15 mm wide, 20 mm high and 38 mm deep
- for wall mounting, concealed fixing
- including non-corrosive HEWI fixing material

Ordering information: item number, desired colour shade glossy or matt



New 900Q90.00260 ZB



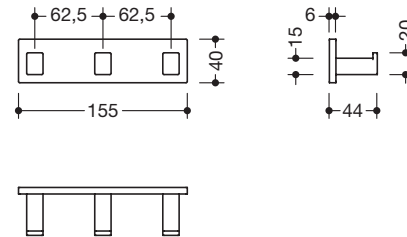
HEWI Double hook

- made of high-quality stainless steel, powder-coated in desired colour
- 75 mm wide, 40 mm high, 44 mm deep
- for wall mounting, concealed fixing
- including non-corrosive HEWI fixing material

Ordering information: item number, desired colour shade glossy or matt



New 900Q90.00360 ZB



HEWI Hook strip

- with 3 hooks
- made of high-quality stainless steel, powder-coated in desired colour
- 155 mm wide, 40 mm high, 44 mm deep
- for wall mounting, concealed fixing
- including non-corrosive HEWI fixing material

Ordering information: item number, desired colour shade glossy or matt



HEWI Powder coating | Surfaces

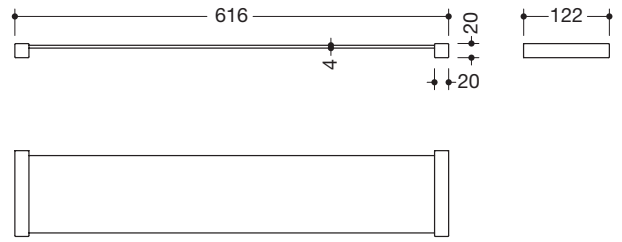
- Desired colour shade** (RAL Classic, RAL Design plus or Pantone palette (Fashion, Home + Interiors Color Guide Book))
- Glossy or matt**

Item Number

Dimensions in mm / Specification



New 900Q03.00760 ZB



HEWI Shelf with glass panel

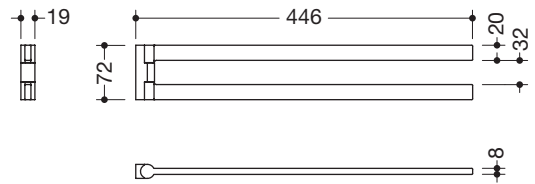
- shelf comprising side holder elements and a glass panel
- holder made of high-quality stainless steel, powder-coated in desired colour
- shelf panel made of ESG glass (4 mm), satin-finish on underside
- 616 mm wide, 20 mm high, 122 mm deep
- for wall mounting, concealed fixing
- including non-corrosive HEWI fixing material

Ordering information: item number, desired colour shade glossy or matt

-  Holder
-  Shelf



New 900Q09.00060 ZB



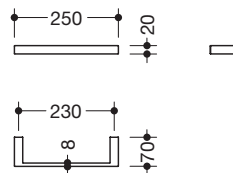
HEWI Towel rail

- the arms can be swivelled 180° independently of each other
- made of high-quality stainless steel, powder-coated in desired colour
- 446 mm long, 72 mm high and 19 mm wide
- for wall mounting, concealed fixing
- including non-corrosive HEWI fixing material

Ordering information: item number, desired colour shade glossy or matt



New 900Q30.00060 ZB



HEWI Towel rail

- made of high-quality stainless steel, powder-coated in desired colour
- 250 mm wide, 20 mm high and 70 mm deep, c to c 230 mm
- for wall mounting, concealed fixing
- including non-corrosive HEWI fixing material

Ordering information: item number, desired colour shade glossy or matt

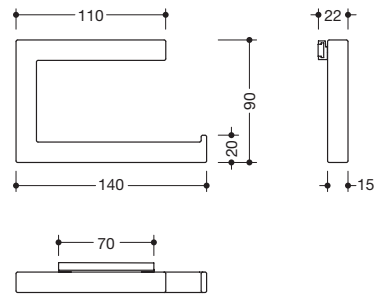


HEWI Surfaces

-  Glass

Item Number

Dimensions in mm / Specification

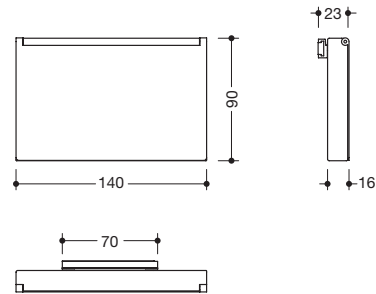


New 900Q21.00060 ZB

HEWI Toilet roll holder

- hinged, for toilet rolls of up to 120 mm in width
- made of stainless steel, powder-coated in desired colour
- 140 mm wide, 90 mm high and 22 mm deep
- for wall mounting, concealed fixing
- including non-corrosive HEWI fixing material

Ordering information: item number, desired colour shade glossy or matt

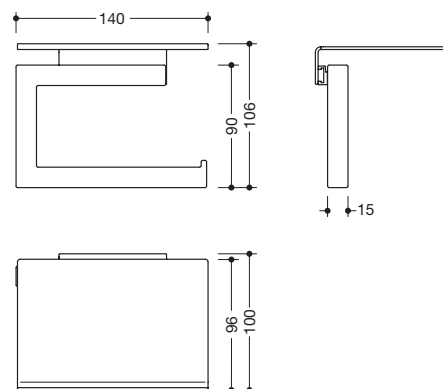


New 900Q21.00160 ZB

HEWI Toilet roll holder with lid

- do.
- 140 mm wide, 90 mm high and 23 mm deep

Ordering information: item number, desired colour shade glossy or matt



New 900Q21.00260 ZB

HEWI Toilet roll holder with shelf

- do.
- 140 mm wide, 106 mm high and 100 mm deep

Ordering information: item number, desired colour shade glossy or matt



HEWI Powder coating | Surfaces

- Desired colour shade** (RAL Classic, RAL Design plus or Pantone palette (Fashion, Home + Interiors Color Guide Book))
- Glossy or matt**

Item Number

Dimensions in mm / Specification



New 900Q21.00360 ZB



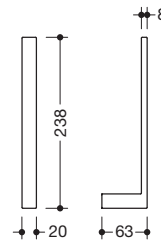
HEWI Spare roll holder

- made of stainless steel, powder-coated in desired colour
- 15 mm wide, 20 mm high and 122 mm deep
- for wall mounting, concealed fixing
- including non-corrosive HEWI fixing material

Ordering information: item number, desired colour shade glossy or matt



New 900Q21.00460 ZB



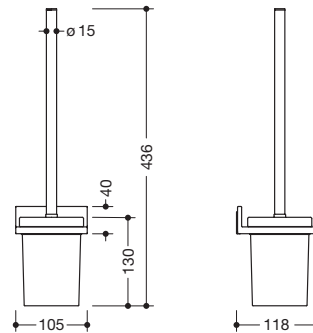
HEWI Spare roll holder, double

- made of stainless steel, powder-coated in desired colour
- 20 mm wide, 238 mm high and 63 mm deep
- for wall mounting, concealed fixing
- including non-corrosive HEWI fixing material

Ordering information: item number, desired colour shade glossy or matt



New 900Q20.00060 ZB



HEWI Toilet brush unit

- holder made of metal, with protective insert made of synthetic material for a secure, defined position and to protect the insert from damage
- holder and brush handle powder-coated in desired colour
- brush container made of high-quality, satin crystal glass, can be removed for cleaning
- brush head can be replaced due to bayonet fixing
- 105 mm wide, 436 mm high and 118 mm deep
- for wall mounting, concealed fixing
- including non-corrosive HEWI fixing material

Ordering information: item number, desired colour shade glossy or matt

- Holder, brush handle
- Brush container

HEWI Surfaces

- Glass

921050
921051
921052

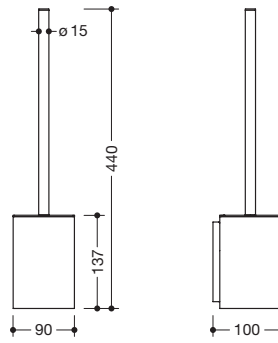
HEWI Brush head, packing unit 1
HEWI Brush head, packing unit 5
HEWI Brush head, packing unit 25

Item Number

Dimensions in mm / Specification



New 900Q20.00160 ZB



HEWI Toilet brush unit

- holder and brush handle made of high-quality stainless steel, powder-coated in desired colour
- insert made of matt black synthetic material, can be removed for cleaning
- brush head can be replaced due to bayonet fixing
- 90 mm wide, 440 mm high and 100 mm deep
- for wall mounting, concealed fixing
- including non-corrosive HEWI fixing material

Ordering information: item number, desired colour shade glossy or matt

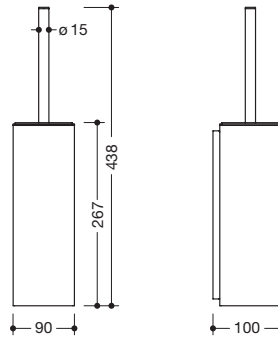


900Q20.E001

HEWI Insert for toilet brush unit



New 900Q20.00260 ZB



HEWI Toilet brush unit with lid

- holder and brush handle made of high-quality stainless steel, powder-coated in desired colour
- insert made of matt black synthetic material, can be removed for cleaning
- brush head can be replaced due to bayonet fixing
- 90 mm wide, 438 mm high and 100 mm deep
- for wall mounting, concealed fixing
- including non-corrosive HEWI fixing material

Ordering information: item number, desired colour shade glossy or matt



900Q20.E002

HEWI Insert for toilet brush unit with lid

HEWI Powder coating | Surfaces

- Desired colour shade** (RAL Classic, RAL Design plus or Pantone palette (Fashion, Home + Interiors Color Guide Book))
- Glossy or matt**

921050

921051

921052

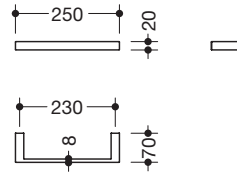
HEWI Brush head, packing unit 1

HEWI Brush head, packing unit 5

HEWI Brush head, packing unit 25

Item Number

Dimensions in mm / Specification

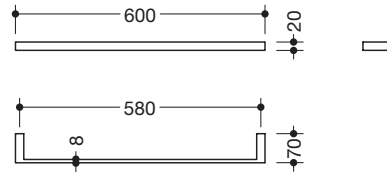


New 900Q30.00060 ZB

HEWI Towel rail

- made of high-quality stainless steel, powder-coated in desired colour
- 250 mm wide, 20 mm high and 70 mm deep, c to c 230 mm
- for wall mounting, concealed fixing
- including non-corrosive HEWI fixing material

Ordering information: item number, desired colour shade glossy or matt

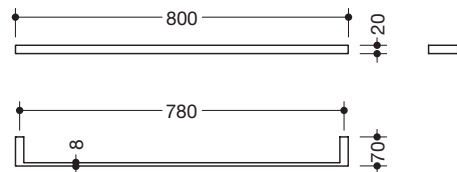


New 900Q30.00160 ZB

HEWI Bath towel rail

- made of high-quality stainless steel, powder-coated in desired colour
- 600 mm wide, 20 mm high and 70 mm deep, c to c 580 mm
- for wall mounting, concealed fixing
- including non-corrosive HEWI fixing material

Ordering information: item number, desired colour shade glossy or matt



New 900Q30.00260 ZB

HEWI Bath towel rail

- made of high-quality stainless steel, powder-coated in desired colour
- 800 mm wide, 20 mm high and 70 mm deep, c to c 780 mm
- for wall mounting, concealed fixing
- including non-corrosive HEWI fixing material

Ordering information: item number, desired colour shade glossy or matt



Special colours

System 900 | System 162 | Accessoires



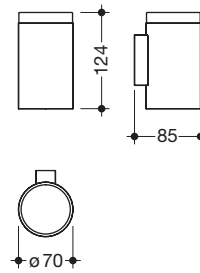


Item Number

Dimensions in mm / Specification



162.04.11060 ZF



HEWI Tumbler with holder

- cylindrical wall holder made of high-quality stainless steel, powder-coated in desired colour
- cylindrical tumbler made of high-quality glossy or matt polyamide in HEWI colours 98 (signal white), 92 (anthracite grey) or 90 (jet black)
- with protective film on the inside for a secure, defined position and to protect the insert from damage
- \varnothing 70 mm, 124 mm high and 85 mm deep
- for wall mounting, concealed fixing
- including non-corrosive HEWI fixing material

Ordering information: item number, desired colour shade glossy or matt, colour of the synthetic elements glossy or matt

- Holder
- Tumbler

800.04.010
800.04B010

HEWI Tumbler
HEWI Tumbler, matt



900.04.00060 ZB

HEWI Tumbler with holder

- do., cylindrical tumbler made of high-quality, satin crystal glass

Ordering information: item number, desired colour shade glossy or matt

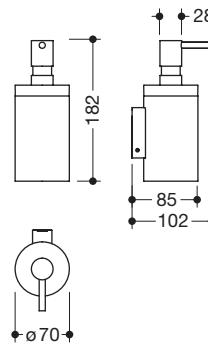
- Holder
- Tumbler

800.04.E01

HEWI Glass tumbler



162.06.11165 ZF



HEWI Disinfectant or soap dispenser with holder

- cylindrical wall holder made of high-quality stainless steel, powder-coated in desired colour
- soap dispenser made of high-quality, satin crystal glass
- pump head in matt black or matt white
- with protective film on the inside for a secure, defined position and to protect the glass insert from damage
- \varnothing 70 mm, 124 mm high and 85 mm deep
- for wall mounting, concealed fixing
- including non-corrosive HEWI fixing material

Ordering information: item number, desired colour shade glossy or matt, pump head surface

- Holder
- Soap dispenser
- Pump head

HEWI Powder coating | Surfaces

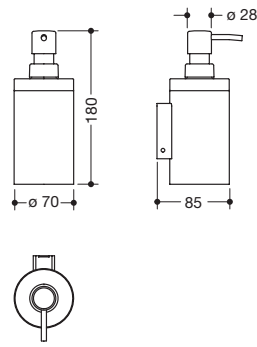
- Desired colour shade** (RAL Classic, RAL Design plus or Pantone palette (Fashion, Home + Interiors Color Guide Book))
- Glossy or matt**

800.06.E01
950.06.E02
950.06.E05

HEWI Glass container
HEWI Pump head, matt black
HEWI Pump head, matt white

Item Number

Dimensions in mm / Specification



900.06.00160 ZF

HEWI Soap dispenser with holder

- cylindrical wall holder made of high-quality stainless steel, powder-coated in desired colour
- cylindrical soap dispenser made of high-quality glossy or matt polyamide in HEWI colours 98 (signal white), 92 (anthracite grey) or 90 (jet black)
- pump head high-quality chrome-plated
- with protective film on the inside for a secure, defined position and to protect the insert from damage
- ø 70 mm, 180 mm high and 85 mm deep, incl. pump
- capacity approx. 200 ml
- for wall mounting, concealed fixing
- including non-corrosive HEWI fixing material




Ordering information: item number, desired colour shade glossy or matt, colour of the synthetic elements glossy or matt

-  Holder
-  Soap dispenser
-  Pump head

800.06.E02
67738
63907

HEWI Container for soap dispenser, polyamid
HEWI Container for soap dispenser, polyamid matt
HEWI Pump head, chrome-plated



-  Holder
-  Soap dispenser
-  Pump head

900.06.00060 ZB

HEWI Soap dispenser with holder

- do., cylindrical soap dispenser made of high-quality, satin finish crystal glass

Ordering information: item number, desired colour shade glossy or matt

815.06.E01
63910

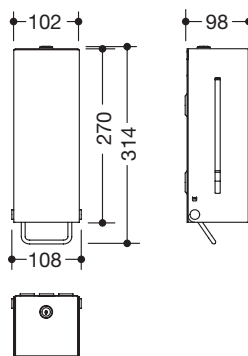
HEWI Glass container
HEWI Pump head, chrome-plated

HEWI Colours | Surfaces

-  98
-  92
-  90
-  Chr
-  Glass
-  matt white
-  matt black

Item Number

Dimensions in mm / Specification



900.06.00460 ZB

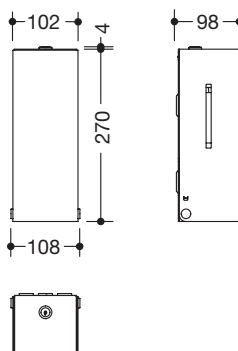
HEWI Soap dispenser

- to be filled with standard liquid soap
- with inner container for free filling, capacity 600 ml
- inner container can be removed for cleaning, side level indicator
- for wall mounting, locking system as protection against misuse
- 102 mm wide, 270 mm high and 98 mm deep
- made of high-quality stainless steel, powder-coated in desired colour
- including non-corrosive HEWI fixing material

Ordering information: item number, desired colour shade glossy or matt



Functional elements



900.06.00560 ZB

HEWI SENSORIC Soap dispenser

- to be filled with standard liquid soap
- with inner container for free filling, capacity 500 ml
- inner container can be removed for cleaning, side level indicator
- non-contact soap dispensing, with battery change indicator
- illumination of the output area when the sensor is activated (blue light)
- for wall mounting, locking system as protection against misuse
- 102 mm wide, 270 mm high and 98 mm deep, maintenance-free
- batteries (AA 1,5 V/4 pcs.) not included in delivery
- made of high-quality stainless steel, powder-coated in desired colour
- including non-corrosive HEWI fixing material

Ordering information: item number, desired colour shade glossy or matt

900.06.00760 ZB

HEWI SENSORIC Foam soap dispenser

- do., to be filled with standard foam soap
- made of high-quality stainless steel, powder-coated in desired colour

Ordering information: item number, desired colour shade glossy or matt

900.06.00860 ZB

HEWI SENSORIC Disinfectant dispenser

- do., to be filled with standard disinfectant
- disinfectant is dispensed as a spray
- made of high-quality stainless steel, powder-coated in desired colour

Ordering information: item number, desired colour shade glossy or matt



HEWI Powder coating | Surfaces

- **Desired colour shade** (RAL Classic, RAL Design plus or Pantone palette (Fashion, Home + Interiors Color Guide Book))
- **Glossy or matt**

900.06.E02

900.06.E04

900.06.E03

900.06.E0160

HEWI Empty container for 900.06.005...

HEWI Empty container for 900.06.007...

HEWI Empty container for 900.06.008...

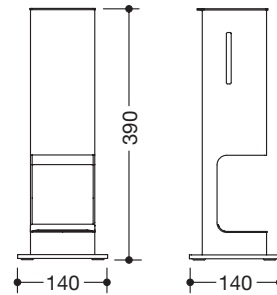
HEWI Drip tray see page 27

Item Number

Dimensions in mm / Specification



900.06.01560 ZB



HEWI SENSORIC Disinfectant dispenser, upright model

- suitable for counters, countertops and tables, amongst others
- made of high-quality stainless steel, powder-coated in desired colour
- incl. base plate in dispenser colour
- screw connection to the counter/table possible (anti-theft protection)
- non-contact disinfectant dispensing
- disinfectant is dispensed as a spray
- illumination of the output area when the sensor is activated (blue light)
- to be filled with standard disinfectant
- with inner container for free filling, capacity 500 ml
- side level indicator
- removable drip tray made of synthetic material and inlay in HEWI colour 90 (jet black)
- locking position for removing the pump or changing the battery
- 390 mm high, 140 mm deep, 140 mm wide, weight approx. 4 kg
- batteries (AA 1,5 V/4 pcs.) not included in delivery
- CE and UKCA marking in accordance with EMC Directive 2014/30/EU

HEWI SENSORIC

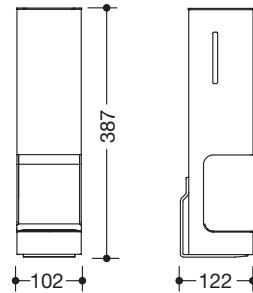


■ Drip tray

Ordering information: item number, desired colour shade glossy or matt



900.06.01660 ZB



HEWI SENSORIC Disinfectant dispenser, wall model

- made of high-quality stainless steel, powder-coated in desired colour
- non-contact disinfectant dispensing
- disinfectant is dispensed as a spray
- illumination of the output area when the sensor is activated (blue light)
- to be filled with standard disinfectant
- with inner container for free filling, capacity 500 ml
- side level indicator
- removable drip tray made of synthetic material and inlay in HEWI colour 90 (jet black)
- locking position for removing the pump or changing the battery
- 387 mm high, 122 mm deep, 102 mm wide, weight approx. 4 kg
- for wall mounting
- including non-corrosive HEWI fixing material
- batteries (AA 1,5 V/4 pcs.) not included in delivery
- CE and UKCA marking in accordance with EMC Directive 2014/30/EU

HEWI SENSORIC



■ Drip tray

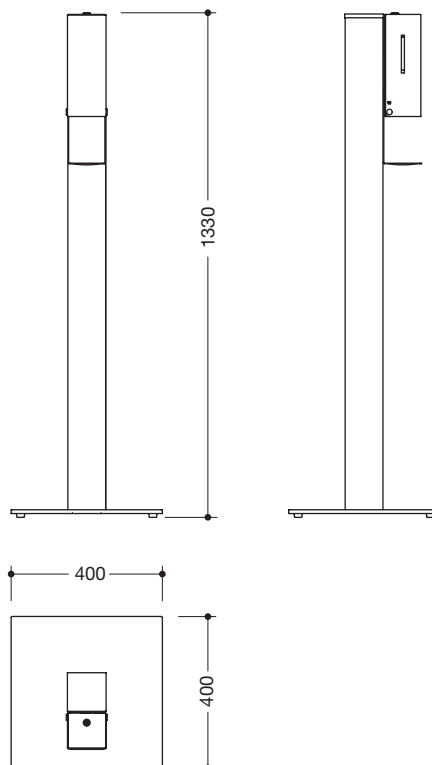
Ordering information: item number, desired colour shade glossy or matt

HEWI Colours | Surfaces

■ ■
90 Chr



900.06.01360 ZB



HEWI SENSORIC Disinfectant dispenser column

- comprising disinfectant dispenser, drip tray and column
- column with angular base body
- column made of aluminum, with steel base, powder-coated in desired colour
- dispenser and drip tray made of high-quality stainless steel, powder-coated in desired colour
- weight approx. 15 kg
- contains the disinfectant dispenser 900.06.008...
- with inner container for free filling, capacity 500 ml
- inner container can be removed for cleaning
- side level indicator
- non-contact disinfectant dispensing
- with battery change indicator
- disinfectant is dispensed as a spray
- illumination of the output area when the sensor is activated (blue light)
- locking system as protection against misuse, maintenance-free
- drip tray serves to collect dripping disinfectant
- set: 1330 mm high, 400 mm deep, 400 mm wide
- including non-corrosive HEWI fixing material
- batteries (AA 1,5 V/4 pcs.) not included in delivery

Ordering information: item number, desired colour shade glossy or matt

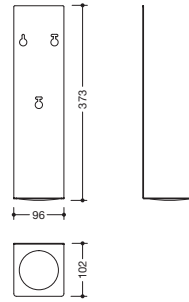


HEWI Powder coating | Surfaces

- ☒ **Desired colour shade** (RAL Classic, RAL Design plus or Pantone palette (Fashion, Home + Interiors Color Guide Book))
- Glossy or matt**

Item Number

Dimensions in mm / Specification



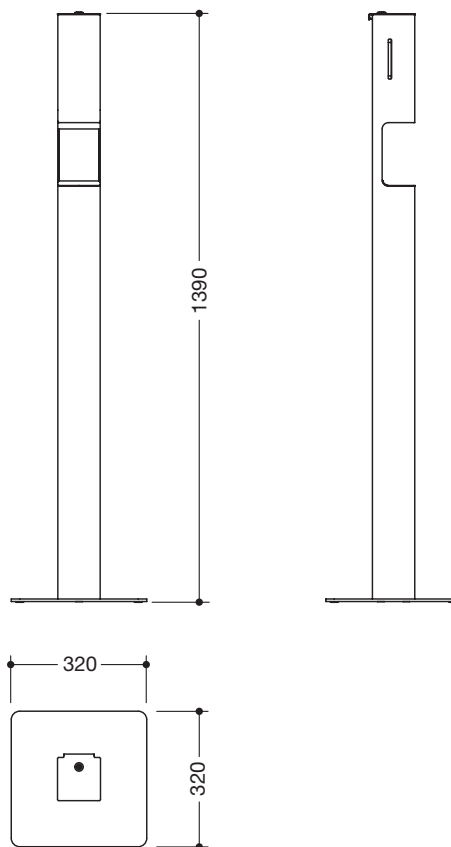
900.06.E0160 ZB

HEWI Drip tray

- serves to collect dripping disinfectant
- suitable for
 - HEWI SENSORIC Disinfectant dispenser column 900.06.013...
 - HEWI SENSORIC Disinfectant dispenser 900.06.008...
 - HEWI SENSORIC Soap dispenser 900.06.005...
 - and HEWI SENSORIC Foam soap dispenser 900.06.007...
- 96 mm wide, 373 mm high and 102 mm deep
- fixed in place using the dispenser fixing points
- made of high-quality stainless steel, powder-coated in desired colour

Ordering information: item number, desired colour shade glossy or matt





900.06.01460 ZB

HEWI SENSORIC Disinfectant dispenser column

- comprising column with integrated sensor dispenser
- column with angular base body
- made of high-quality stainless steel, powder-coated in desired colour
- with inner container for free filling, capacity 500 ml
- inner container can be removed for cleaning
- side level indicator
- non-contact disinfectant dispensing
- disinfectant is dispensed as a spray
- illumination of the output area when the sensor is activated (blue light)
- with battery change indicator
- maintenance-free
- removable drip tray made of synthetic material in HEWI colour 90 (jet black) serves to collect dripping disinfectant
- lockable lid which can be opened for refilling
- locking position for removing the pump or changing the battery
- 320 mm wide, 1390 mm high and 320 mm deep, weight approx. 18 kg
- batteries (AA 1,5 V/4 pcs.) not included in delivery

Ordering information: item number, desired colour shade glossy or matt

HEWI SENSORIC 



HEWI Powder coating | Surfaces

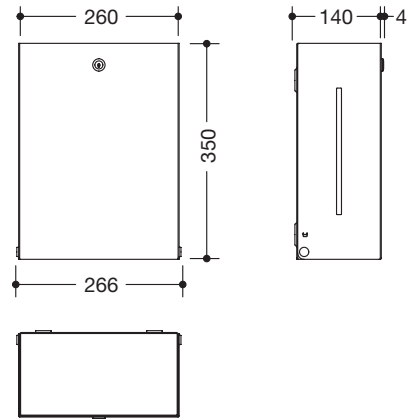
-  **Desired colour shade** (RAL Classic, RAL Design plus or Pantone palette (Fashion, Home + Interiors Color Guide Book))
- Glossy or matt**

Item Number

Dimensions in mm / Specification



900.06.00960 ZB



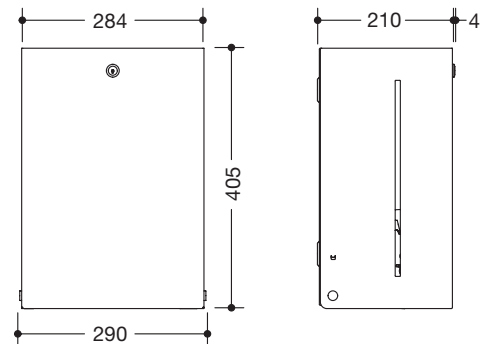
HEWI Paper towel dispenser

- to hold standard paper towels with different folds in the width 235 - 250 mm and folded length / depth of 80 - 110 mm (HEWI recommends paper towels with Z-fold)
- capacity approx. 300 - 450 paper towels
- side level indicator
- locking system as protection against misuse
- 260 mm wide, 350 mm high and 140 mm deep
- for wall mounting
- made of high-quality stainless steel, powder-coated in desired colour
- including non-corrosive HEWI fixing material

Ordering information: item number, desired colour shade glossy or matt



900.06.01060 ZB



HEWI Electronic paper roll dispenser

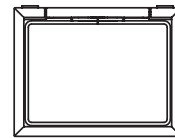
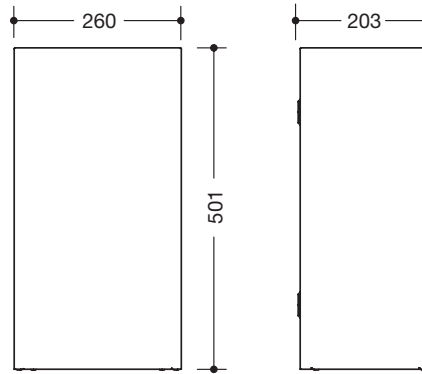
- to hold standard paper rolls with external unwinding, max. roll width 210 mm, max. roll diameter 200 mm, sleeve diameter 38 mm
- side level indicator, easy paper roll replacement
- with battery change indicator
- automatic paper output at the washbasin after the paper has been torn off, integrated tear-off edge
- locking system as protection against misuse, maintenance-free
- 284 mm wide, 405 mm high and 210 mm deep
- for wall mounting
- made of high-quality stainless steel, powder-coated in desired colour
- including non-corrosive HEWI fixing material
- batteries (D-Mono-LR20-1,5 V/4 pcs.) not included in delivery
- can be converted to mains connection with 950.06.E01

Ordering information: item number, desired colour shade glossy or matt



Item Number

Dimensions in mm / Specification

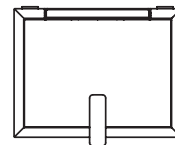
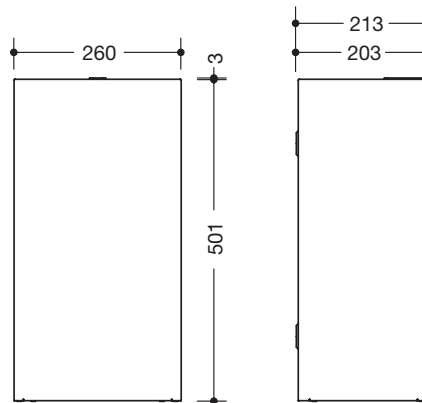


900.05.00160 ZB

HEWI Waste paper bin

- capacity approx. 25 l
- invisible, integrated bag holder with pull-out function for easy insertion and removal of the bag
- 260 mm wide, 501 mm high and 203 mm deep
- for wall mounting
- made of high-quality stainless steel, powder-coated in desired colour
- including non-corrosive HEWI fixing material

Ordering information: item number, desired colour shade glossy or matt



900.05.00260 ZB

HEWI Waste paper bin

- do., with lid
- made of high-quality stainless steel, powder-coated in desired colour

Ordering information: item number, desired colour shade glossy or matt



HEWI Powder coating | Surfaces

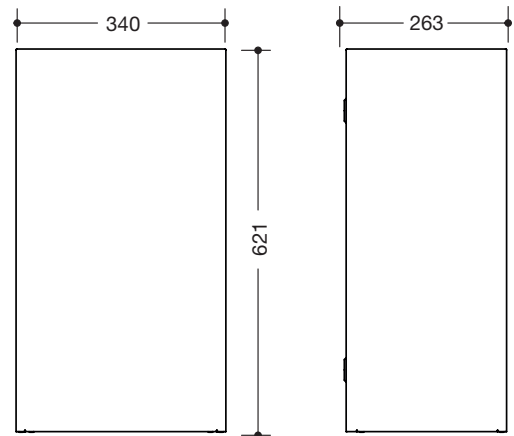
- Desired colour shade** (RAL Classic, RAL Design plus or Pantone palette (Fashion, Home + Interiors Color Guide Book))
- Glossy or matt**

Item Number

Dimensions in mm / Specification



900.05.00360 ZB



HEWI Waste paper bin

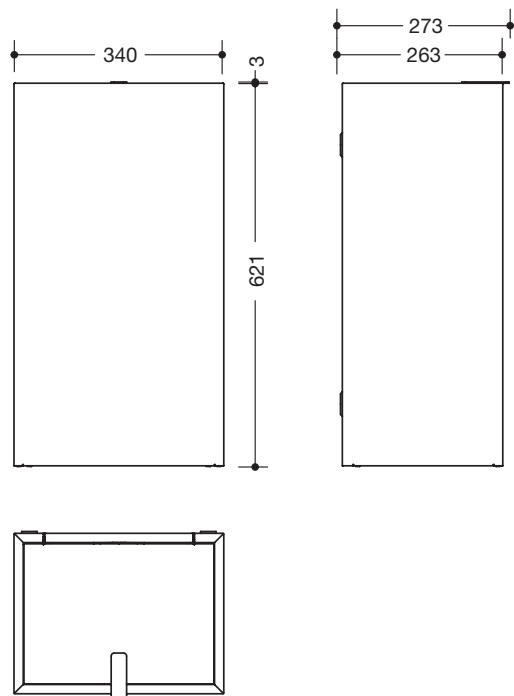
- capacity approx. 60l
- invisible, integrated bag holder with pull-out function for easy insertion and removal of the bag
- 340 mm wide, 621 mm high and 263 mm deep
- for wall mounting
- made of high-quality stainless steel, powder-coated in desired colour
- including non-corrosive HEWI fixing material



Ordering information: item number, desired colour shade glossy or matt



900.05.00460 ZB



HEWI Waste paper bin

- do., with lid
- made of high-quality stainless steel, powder-coated in desired colour



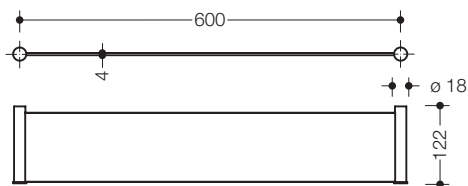
Ordering information: item number, desired colour shade glossy or matt

Item Number

Dimensions in mm / Specification



162.03.11560 ZB



HEWI Shelf

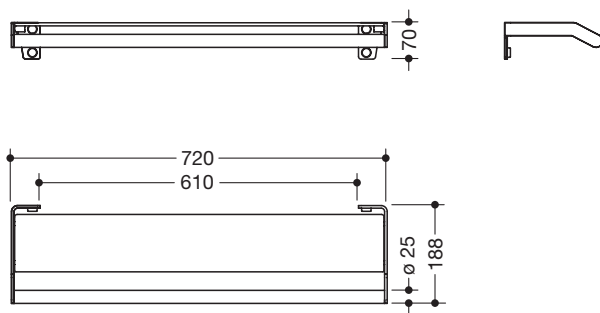
- consisting of two holding elements and glass shelf
- holder made of high-quality stainless steel ø 18 mm, powder-coated in desired colour
- shelf made of glass (4 mm), matt sandblasted underside
- 600 mm wide, 122 mm deep
- for wall mounting, concealed fixing
- not suitable for use in the shower
- including non-corrosive HEWI fixing material

Ordering information: item number, desired colour shade glossy or matt

- Holder
- Shelf



900.03.00060 ZB



HEWI Shelf with support rail

- shelf with integrated support rail at the front
- continuous mirror solution possible
- holder made of high-quality stainless steel, powder-coated in desired colour
- glass plate with anti-splinter film, white back-painted
- 720 mm wide, 70 mm high, 188 mm deep
- support rail ø 25 mm
- including non-corrosive HEWI fixing material

Ordering information: item number, desired colour shade glossy or matt

- Holder
- Shelf

HEWI Powder coating | Surfaces

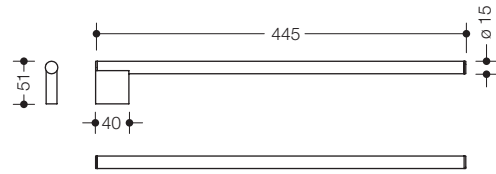
- Desired colour shade** (RAL Classic, RAL Design plus or Pantone palette (Fashion, Home + Interiors Color Guide Book))
- Glossy or matt**

Item Number

Dimensions in mm / Specification



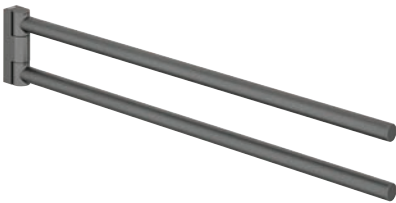
900.09.00160 ZB



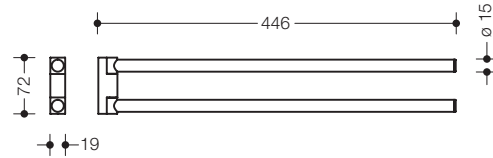
HEWI Towel rail

- towel rail with a cylindrical holding arm, fixed
- made of high-quality stainless steel, powder-coated in desired colour
- 445 mm long, 51 mm high, holding arm \varnothing 15 mm
- for wall mounting, concealed fixing
- including non-corrosive HEWI fixing material

Ordering information: item number, desired colour shade glossy or matt



162.09.10060 ZB



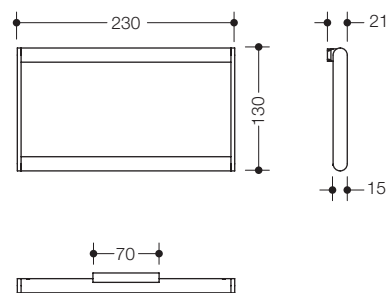
HEWI Towel rail

- towel rail with two cylindrical arms arranged above each other
- the arms can be swung to the side separately
- made of high-quality stainless steel, powder-coated in desired colour
- 446 mm long, 70 mm high, holding arms \varnothing 15 mm
- for wall mounting, concealed fixing
- including non-corrosive HEWI fixing material

Ordering information: item number, desired colour shade glossy or matt



900.09.00260 ZB



HEWI Towel ring

- closed towel ring, rectangular
- the ring can be swivelled
- made of high-quality stainless steel, powder-coated in desired colour
- 230 mm wide, 130 mm high, \varnothing 15 mm
- for wall mounting, concealed fixing
- including non-corrosive HEWI fixing material

Ordering information: item number, desired colour shade glossy or matt



HEWI Surfaces

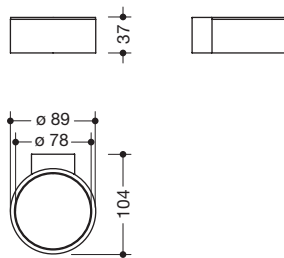
Glass

Item Number

Dimensions in mm / Specification



900.00.00060 ZF



HEWI Hair dryer holder

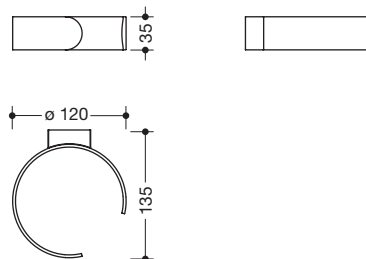
- holder made of high-quality stainless steel, powder-coated in desired colour
- with insert to protect against damage to the hairdryer
- insert made of high-quality synthetic material in HEWI colours 98 (signal white), 92 (anthracite grey) or 90 (jet black)
- inside 78 mm wide, 37 mm high, 104 mm deep
- for wall mounting, concealed fixing
- including non-corrosive HEWI fixing material

Ordering information: item number, desired colour shade glossy or matt, colour of the synthetic elements

 Holder
   Insert



900.90.00160 ZB




HEWI Walking aid holder

- made of high-quality stainless steel, powder-coated in desired colour
- 120 mm wide, 35 mm high, 135 mm deep
- for wall mounting, concealed fixing
- including non-corrosive HEWI fixing material

Ordering information: item number, desired colour shade glossy or matt



HEWI Powder coating | Surfaces

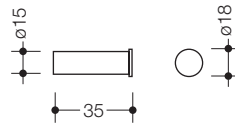
 **Desired colour shade** (RAL Classic, RAL Design plus or Pantone palette (Fashion, Home + Interiors Color Guide Book))
Glossy or matt

Item Number

Dimensions in mm / Specification



162.90.01060 ZB



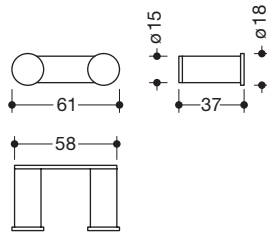
HEWI Single hook

- cylindrical hook
- made of high-quality stainless steel, powder-coated in desired colour
- 35 mm long, \varnothing 15 mm
- for wall mounting, concealed fixing
- including non-corrosive HEWI fixing material

Ordering information: item number, desired colour shade glossy or matt



162.90.03060 ZB



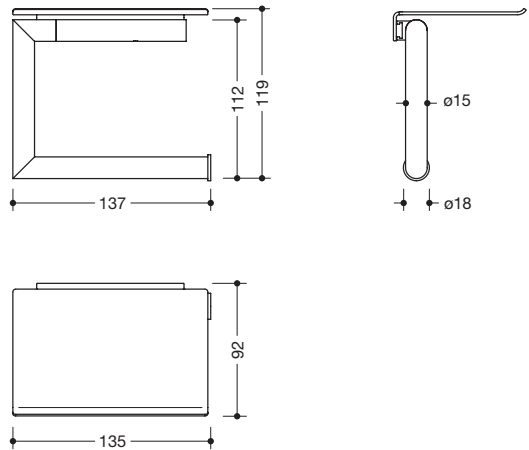
HEWI Double hook

- double hook with two cylindrical hook elements
- made of high-quality stainless steel, powder-coated in desired colour
- 61 mm wide, 18 mm high, 37 mm deep, hook parts \varnothing 15 mm
- for wall mounting, concealed fixing
- including non-corrosive HEWI fixing material

Ordering information: item number, desired colour shade glossy or matt



New 162.21.11060 ZB



HEWI Toilet roll holder with shelf

- U-shaped holder, mitred with shelf, opened to the right
- hinged
- made of high-quality stainless steel, powder-coated in desired colour
- 137 mm wide, 119 mm high, \varnothing 15 mm
- shelf: 135 mm wide, 92 mm deep
- for wall mounting, concealed fixing
- including non-corrosive HEWI fixing material (BM1220)

Ordering information: item number, desired colour shade glossy or matt



HEWI Colours

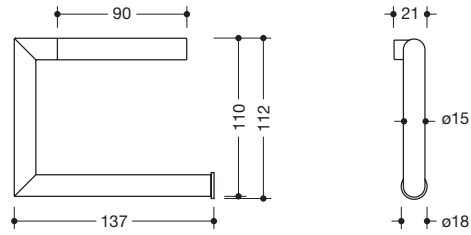


Item Number

Dimensions in mm / Specification



162.21.10060 ZB



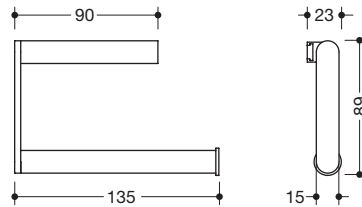
HEWI Toilet roll holder

- U-shaped holder, mitred, opened to the right
- hinged
- made of high-quality stainless steel, powder-coated in desired colour
- 137 mm wide, 110 mm high, ø 15 mm
- for wall mounting, concealed fixing
- including non-corrosive HEWI fixing material

Ordering information: item number, desired colour shade glossy or matt



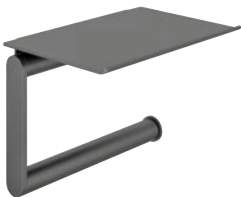
900.21.00060 ZB



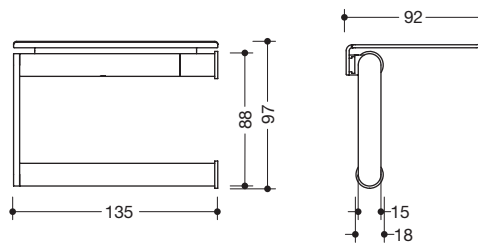
HEWI Toilet roll holder

- U-shaped holder, opened to the right
- made of high-quality stainless steel, powder-coated in desired colour
- hinged
- 135 mm wide, 89 mm high, ø 15 mm
- for wall mounting, concealed fixing
- including non-corrosive HEWI fixing material

Ordering information: item number, desired colour shade glossy or matt



900.21.00460 ZB



HEWI Toilet roll holder with shelf

- U-shaped holder with shelf, opened to the right
- hinged
- made of high-quality stainless steel, powder-coated in desired colour
- 135 mm wide, 97 mm high, ø 15 mm
- shelf: 135 mm wide, 92 mm deep
- for wall mounting, concealed fixing
- including non-corrosive HEWI fixing material

Ordering information: item number, desired colour shade glossy or matt



HEWI Powder coating | Surfaces

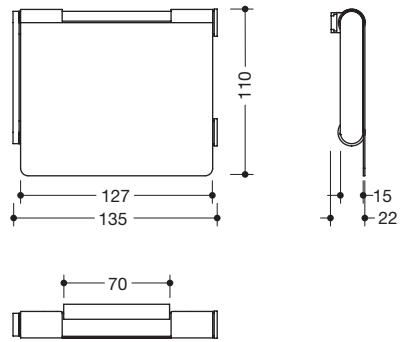
- **Desired colour shade** (RAL Classic, RAL Design plus or Pantone palette (Fashion, Home + Interiors Color Guide Book))
- **Glossy or matt**

Item Number

Dimensions in mm / Specification



900.21.00560 ZB



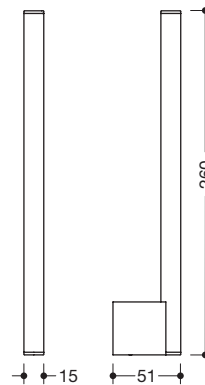
HEWI Toilet roll holder with lid

- U-shaped holder with lid, opened to the right
- hinged
- made of high-quality stainless steel, powder-coated in desired colour
- 135 mm wide, 110 mm high, ø 15 mm
- for wall mounting, concealed fixing
- including non-corrosive HEWI fixing material

Ordering information: item number, desired colour shade glossy or matt



900.21.00660 ZB



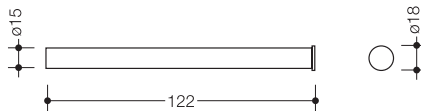
HEWI Spare roll holder

- cylindrical spare roll holder for holding two toilet rolls made of high-quality stainless steel, powder-coated in desired colour
- 260 mm long, 51 mm deep, ø 15 mm
- for wall mounting, concealed fixing
- including non-corrosive HEWI fixing material

Ordering information: item number, desired colour shade glossy or matt



162.21.30060 ZB



HEWI Spare roll holder

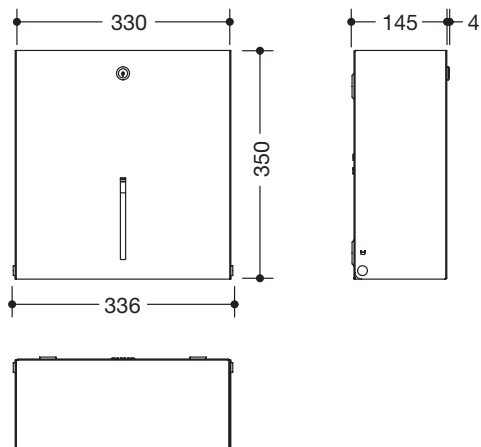
- cylindrical holder
- made of high-quality stainless steel, powder-coated in desired colour
- 122 mm long, ø 15 mm
- for wall mounting, concealed fixing
- including non-corrosive HEWI fixing material

Ordering information: item number, desired colour shade glossy or matt



Item Number

Dimensions in mm / Specification

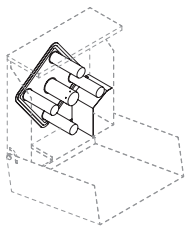


900.21.00160 ZB

HEWI Large toilet roll holder

- for holding a standard large toilet roll in diameters from 250 - 320 mm
- level indicator at the front
- for wall mounting, locking system as protection against misuse
- 330 mm wide, 350 mm high and 145 mm deep
- made of high-quality stainless steel, powder-coated in desired colour
- tear-off edge made of stainless steel
- extension possible with carousel 900.21.E01
- including non-corrosive HEWI fixing material

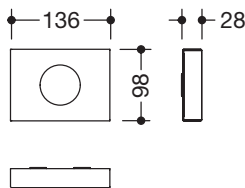
Ordering information: item number, desired colour shade glossy or matt



900.21.E01

HEWI Carousel

- for conversion from large toilet roll holder to quadruple toilet roll holder
- optionally available



900.06.01160 ZB

HEWI Hygiene bag dispenser

- holds and dispenses proprietary hygiene bags made of synthetic material (max. package size L 130 x B 90 x H 20 mm)
- for wall mounting
- 136 mm wide, 98 mm high and 28 mm deep
- made of high-quality stainless steel, powder-coated in desired colour
- including non-corrosive HEWI fixing material

Ordering information: item number, desired colour shade glossy or matt

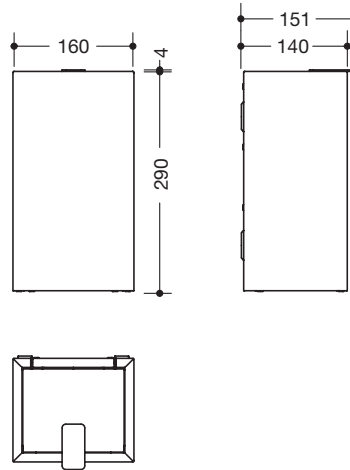


HEWI Powder coating | Surfaces

- Desired colour shade** (RAL Classic, RAL Design plus or Pantone palette (Fashion, Home + Interiors Color Guide Book))
- Glossy or matt**

Item Number

Dimensions in mm / Specification

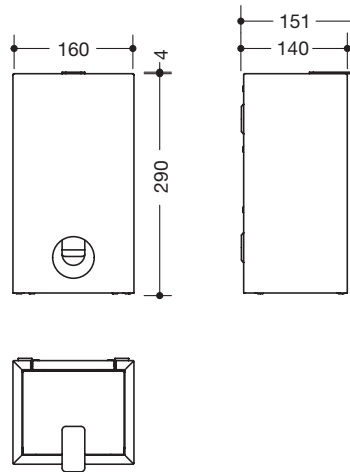


900.05.00560 ZB

HEWI Hygiene waste bin

- capacity approx. 6 l
- for wall mounting
- invisible, integrated bag holder with pull-out function for easy insertion and removal of the bag
- lid with lifting flap
- 160 mm wide, 290 mm high and 140 mm deep
- made of high-quality stainless steel, powder-coated in desired colour
- including non-corrosive HEWI fixing material

Ordering information: item number, desired colour shade glossy or matt



900.05.00660 ZB

HEWI Hygiene combination

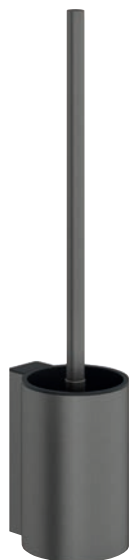
- do., with integrated holder for standard hygiene bags made of synthetic material (max. package size L 130 x B 90 x H 20 mm)
- made of high-quality stainless steel, powder-coated in desired colour

Ordering information: item number, desired colour shade glossy or matt

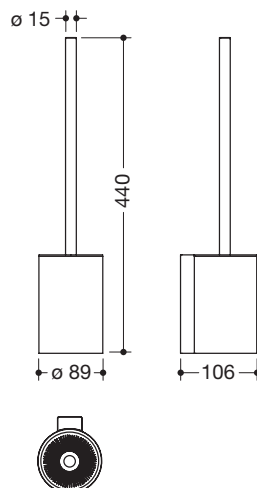


Item Number

Dimensions in mm / Specification



900.20.00060 ZB



HEWI Toilet brush unit

- consisting of holder, toilet brush container and toilet brush
- made of metal, powder-coated in desired colour
- \varnothing 89 mm, 440 mm high, 106 mm deep
- brush head can be replaced due to bayonet fixing
- black inner container can be removed for cleaning
- for wall mounting, concealed fixing
- including non-corrosive HEWI fixing material

Ordering information: item number, desired colour shade glossy or matt

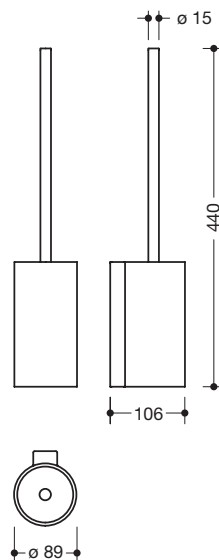


66823

HEWI Insert for toilet brush unit



162.20.10060 ZB



HEWI Toilet brush unit

- brush head can be replaced due to bayonet fixing
- made of metal, powder-coated in desired colour
- inner container can be removed for cleaning
- \varnothing 89 mm, 440 mm high, 106 mm deep
- for wall mounting, concealed fixing
- including non-corrosive HEWI fixing material

Ordering information: item number, desired colour shade glossy or matt



162.20.E01

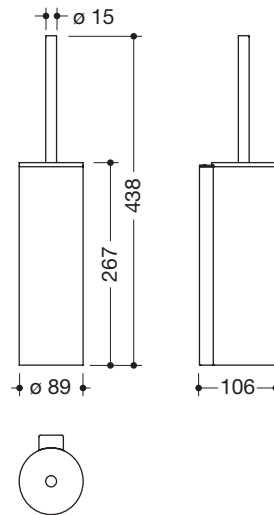
HEWI Insert for toilet brush unit

HEWI Powder coating | Surfaces

- **Desired colour shade** (RAL Classic, RAL Design plus or Pantone palette (Fashion, Home + Interiors Color Guide Book))
- **Glossy or matt**

Item Number

Dimensions in mm / Specification



900.20.00160 ZB

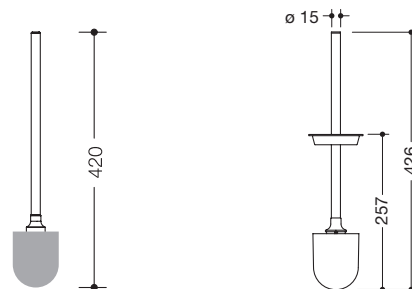
HEWI Toilet brush unit with lid

- consisting of holder, toilet brush container and toilet brush
- made of metal, powder-coated in desired colour
- \varnothing 89 mm, 440 mm high, 106 mm deep
- brush head can be replaced due to bayonet fixing
- inner container can be removed for cleaning
- for wall mounting, concealed fixing
- including non-corrosive HEWI fixing material

Ordering information: item number, desired colour shade glossy or matt



■ Insert



900.20.01060 ZB

HEWI Toilet brush

- brush handle with replaceable brush head
- brush handle made of stainless steel, powder-coated in desired colour
- 420 mm long, \varnothing 76 mm
- brush head easily replaceable by bayonet fixing
- brush head made of black polyamide with bristles in anthracite grey

Ordering information: item number, desired colour shade glossy or matt

900.20.02060 ZB

HEWI Toilet brush

- do., with lid
- brush handle and lid made of stainless steel, powder-coated in desired colour
- 426 mm long, \varnothing 76 mm

Ordering information: item number, desired colour shade glossy or matt

921050

HEWI Brush head, packing unit 1

921051

HEWI Brush head, packing unit 5

921052

HEWI Brush head, packing unit 25



HEWI Colours

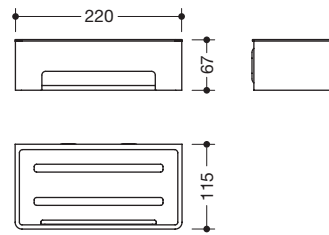
■ 90

Item Number

Dimensions in mm / Specification



900.03.00160 ZF



HEWI Shower basket

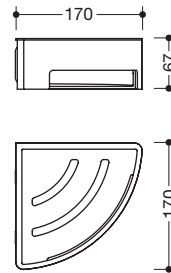
- made of high-quality stainless steel, powder-coated in desired colour
- insert made of high-quality synthetic material in HEWI colours 98 (signal white), 92 (anthracite grey) and 90 (jet black)
- 220 mm wide, 67 mm high and 115 mm deep
- for wall mounting
- including non-corrosive HEWI fixing material

Ordering information: item number, desired colour shade glossy or matt, colour of the synthetic elements

- Holder
- Shower basket insert



900.03.00260 ZF



HEWI Shower basket

- made of high-quality stainless steel, powder-coated in desired colour
- insert made of high-quality synthetic material in HEWI colours 98 (signal white), 92 (anthracite grey) and 90 (jet black)
- 67 mm high, side lengths 170 mm
- for wall mounting
- including non-corrosive HEWI fixing material

Ordering information: item number, desired colour shade glossy or matt, colour of the synthetic elements

- Holder
- Shower basket insert

HEWI Powder coating | Surfaces

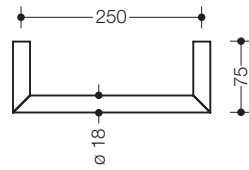
- Desired colour shade** (RAL Classic, RAL Design plus or Pantone palette (Fashion, Home + Interiors Color Guide Book))
- Glossy or matt**

Item Number

Dimensions in mm / Specification



New 162.30.10060 ZB



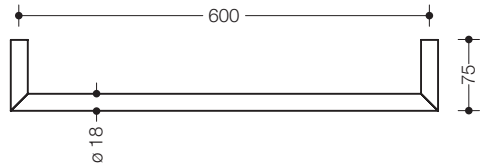
HEWI Towel rail

- towel rail made of a mitred tube
- made of high-quality stainless steel, powder-coated in desired colour
- c to c 250 mm, 75 mm deep, \varnothing 18 mm
- for wall mounting, concealed fixing
- including non-corrosive HEWI fixing material

Ordering information: item number, desired colour shade glossy or matt



162.30.20060 ZB



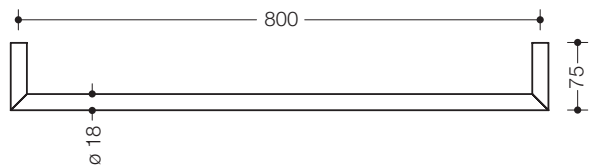
HEWI Bath towel rail

- towel rail made of a mitred tube
- made of high-quality stainless steel, powder-coated in desired colour
- c to c 600 mm, 75 mm deep, \varnothing 18 mm
- for wall mounting, concealed fixing
- including non-corrosive HEWI fixing material

Ordering information: item number, desired colour shade glossy or matt



162.30.20160 ZB



HEWI Bath towel rail

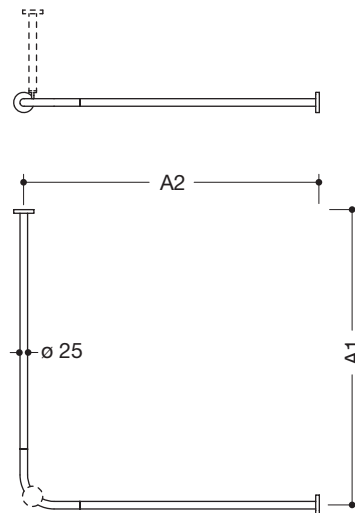
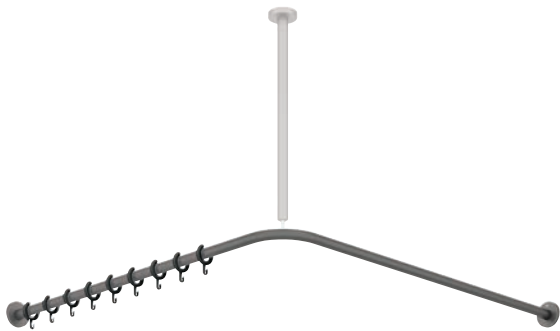
- do., c to c 800 mm
- made of high-quality stainless steel, powder-coated in desired colour

Ordering information: item number, desired colour shade glossy or matt



HEWI Colours





HEWI Shower curtain rail

- rails \varnothing 25 mm, roses \varnothing 70 mm
- made of high-quality stainless steel, powder-coated in desired colour
- with curtain rings made of white or black POM
- can be shortened at the ends to 320 mm on site
- fixing with roses to wall and ceiling, ceiling support required
- including non-corrosive and tested HEWI fixing material
- additional sealing of the drilling points possible with sealing tape (included in delivery)

900.34.10060 ZF

for shower tray 800 x 800 mm

- c to c 787 x 787 mm, with 16 curtain rings
- recommended HEWI standard width (F) 2300 mm

900.34.10160 ZF

for shower tray 900 x 900 mm

- c to c 887 x 887 mm, with 18 curtain rings
- recommended HEWI standard width (F) 2500 mm

900.34.10260 ZF

for shower tray 1000 x 1000 mm

- c to c 987 x 987 mm, with 20 curtain rings
- recommended HEWI standard width (F) 2900 mm

900.34.10360 ZF

for shower tray 1200 x 1200 mm

- c to c 1187 x 1187 mm, with 24 curtain rings
- recommended HEWI standard width (F) 3500 mm

900.34.10460 ZF

for shower tray 1500 x 1500 mm

- c to c 1487 x 1487 mm, with 28 curtain rings
- recommended HEWI standard width (F) 4000 mm

900.34.10560 ZF

for shower tray 2000 x 2000 mm

- c to c 1987 x 1987 mm, with 36 curtain rings
- recommended HEWI standard width (F) 2 x 2500 mm



☐ ■ Curtain rings

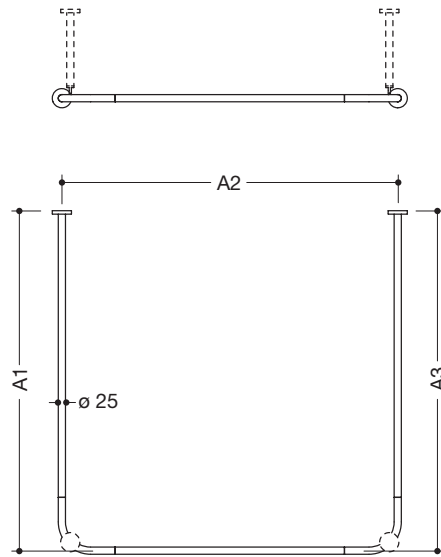
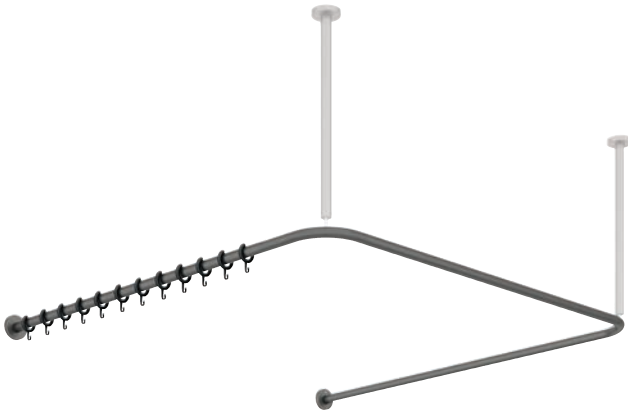
Ordering information: item number, desired colour shade glossy or matt, colour of the synthetic elements

HEWI Powder coating | Surfaces

☒ **Desired colour shade** (RAL Classic, RAL Design plus or Pantone palette (Fashion, Home + Interiors Color Guide Book))
Glossy or matt

Item Number

Dimensions in mm / Specification



HEWI Shower curtain rail

- rails \varnothing 25 mm, roses \varnothing 70 mm
- made of high-quality stainless steel, powder-coated in desired colour
- with curtain rings made of white or black POM
- can be shortened at the ends to 320 mm on site, middle rail not shortenable
- fixing with roses to wall and ceiling
- two ceiling supports required (max. 600 mm long)
- including non-corrosive and tested HEWI fixing material
- additional sealing of the drilling points possible with sealing tape (included in delivery)

900.34.30060 ZF

for shower tray 1000 x 1000 mm

- c to c 987 x 975 x 987 mm, with 28 curtain rings
- recommended HEWI standard width (F) 4000 mm

900.34.30160 ZF

for shower tray 1200 x 1200 mm

- c to c 1187 x 1175 x 1187 mm, with 34 curtain rings
- recommended HEWI standard width (F) 5000 mm

900.34.30260 ZF

for shower tray 1500 x 1500 mm

- c to c 1487 x 1475 x 1487 mm, with 46 curtain rings
- recommended HEWI standard width (F) 2 x 3000 mm



☐ ■ Curtain rings

Ordering information: item number, desired colour shade glossy or matt, colour of the synthetic elements

921056
921060
6676..., 6797...
900.34.0...

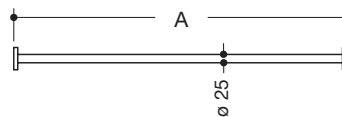
HEWI Curtain rings, packing unit 5 pcs., white
HEWI Curtain rings, packing unit 5 pcs., black
HEWI Rose cap
HEWI Ceiling support to be ordered separately, see page 47

HEWI Colours

☐ ■
98 90

Item Number

Dimensions in mm / Specification



HEWI Shower curtain rail

- rail ø 25 mm, roses ø 70 mm
- made of high-quality stainless steel, powder-coated in desired colour
- can be shortened at the ends to 200 mm on site
- including non-corrosive and tested HEWI fixing material for wall mounting, additional sealing of the drilling points possible with sealing tape (included in delivery)

900.34.40060 ZF

- length 1000 mm, with 10 curtain rings made of white or black POM
- recommended curtain width 1200 mm

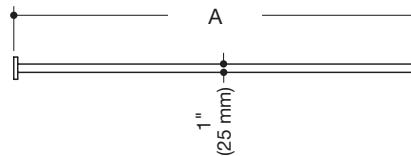
900.34.40360 ZF

- length 2000 mm, with 20 curtain rings made of white or black POM
- recommended curtain width 3000 mm



☐ ■ Curtain rings

Ordering information: item number, desired colour shade glossy or matt, colour of the synthetic elements



HEWI Shower curtain rail, especially for USA

- do.
- length 48" (1219 mm), with 10 curtain rings made of white or black POM
- length 60" (1524 mm), with 12 curtain rings made of white or black POM

900.34.40160 ZF

900.34.40260 ZF



☐ ■ Curtain rings

Ordering information: item number, desired colour shade glossy or matt, colour of the synthetic elements

921056
921060
6676..., 6797...
900.34.0...

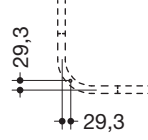
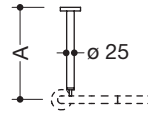
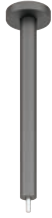
HEWI Curtain rings, packing unit 5 pcs., white
HEWI Curtain rings, packing unit 5 pcs., black
HEWI Rose cap
HEWI Ceiling support to be ordered separately, see right

HEWI Powder coating | Surfaces

☒ **Desired colour shade** (RAL Classic, RAL Design plus or Pantone palette (Fashion, Home + Interiors Color Guide Book))
Glossy or matt

Item Number

Dimensions in mm / Specification



HEWI Ceiling support

- rail \varnothing 25 mm, rose \varnothing 70 mm
- made of high-quality stainless steel, powder-coated in desired colour
- can be shortened at the rose to 200 mm on site
- fixed onto the ceiling with rose
- including non-corrosive and tested HEWI fixing material
- additional sealing of the drilling points possible with sealing tape (included in delivery)

900.34.00060 ZB

A = 300 mm (curtain rail – ceiling axle)

900.34.00160 ZB

A = 400 mm (curtain rail – ceiling axle)

900.34.00260 ZB

A = 500 mm (curtain rail – ceiling axle)

900.34.00360 ZB

A = 600 mm (curtain rail – ceiling axle)

900.34.00460 ZB

A = 1500 mm (curtain rail – ceiling axle)

Ordering information: item number, desired colour shade glossy or matt

HEWI Colours



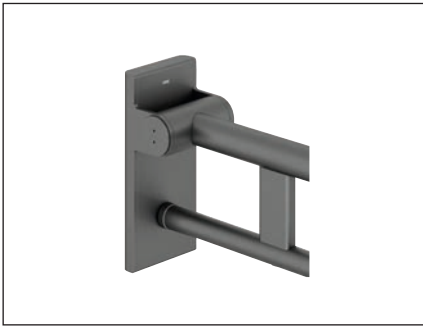
98 90

Special colours
System 900 | System 162 | Support





WALL PLATES



Design A

- ideal implementation of the language of form of the System 900
- available as a mono and duo variant
- metallic stopper element ensures maximum product rigidity and offers the user a secure handling feeling
- maintenance-free, permanently smooth-running joint, pre-set ex works
- at a setting of 45°, the hinged support rail lowers automatically
- in the upper position (tilt < 45°) a defined friction force of the hinged support rail prevents unintentional lowering/triggering
- a defined stopper prevents the hinged support rail banging against the wall
- available as a tool-free mobile variant



Design B

- streamlined design alternatives
- available as a mono and duo variant
- maintenance-free, permanently smooth-running joint, pre-set ex works
- at a setting of 45°, the hinged support rail lowers automatically
- in the upper position (tilt < 45°) a defined friction force of the hinged support rail prevents unintentional lowering/triggering



Height adjustable plate

- is used to hold hinged support rails 802.50..., 900.50... and 801.50...
- height adjustment, in order to be able to adapt the required support height to the user
- adjustment downwards, pull out locking bolt, adjustment upwards possible without pulling out the locking bolt
- adjustment range 200 mm
- 153 mm wide, 537 mm high, 30 mm deep
- made of aluminium powder-coated in HEWI colours DX (matt signal white) and FV (matt pure white)
- fixing material BM10.2 to BM18.2, please order 2x each separately

FIXING MATERIAL

HEWI Fixing material for hinged support rails Design A and Design B to be ordered separately

for fixing on walls made of:

BM17.2

- concrete > C20/C25, national technical approval number: ETA-11/0493

Supplied with: 2 stainless steel screws M 10 x 30,
2 internal thread sleeves M 10 x 110

BM10.2

- concrete > C20/C25

Supplied with: 2 stainless steel countersunk bolts ø 10 x 95,
2 plugs HILTI HUD 14 x 70

BM11.2

- autoclaved aerated concrete (> P2)

Supplied with: 2 stainless steel screws M10 x 30,
2 mesh sleeves HIT-SC 22 x 85,
2 internal thread sleeves HIT-IC

BM12.2

- lightweight walls with rear lining made of laminated timber boards ...

Supplied with: 2 stainless steel countersunk bolts ø 10 x 95

BM13.2

- lightweight walls with integrated steel plates ...

Supplied with: 2 stainless steel screws M10 x 60

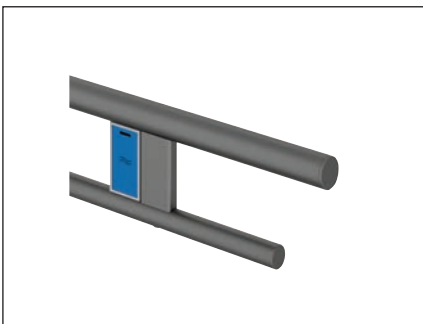
BM18.2

- hollow concrete block, vertically perforated bricks, solid bricks, ..., national technical approval number: ETA-13/1036

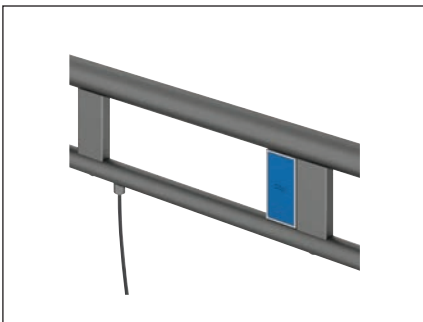
Supplied with: 2 stainless steel screws M10 x 30,
2 mesh sleeves HIT-SC 18 x 85,
2 internal thread sleeves HIT-IC

INTEGRATED ADDITIONAL FUNCTIONS**Toilet roll holder**

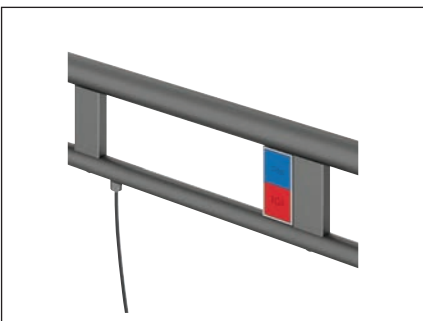
- with integrated rotation control

**WC flushing mechanism (radio-controlled)**

- blue button (wave symbol) serves to trigger the WC flush (convex, tangible pressure point)
- transmission frequency 868.4 MHz
- suitable for radio WC flushing systems by Geberit, Mepa, Viega, Sanit, Friatec, TECE and Grohe

**WC flushing mechanism (model E)**

- blue button (wave symbol) serves to trigger the WC flush (convex, tangible pressure point)
- cable with free cable ends for wall connection
- incl. white cover for the flush-mounted socket
- control voltage max. 30 V = SELV, PELV, switching current up to max. 2 A
- suitable for all standard UP flushing cisterns with an electrical control unit

**Toilet flushing solution/function button (model E)**

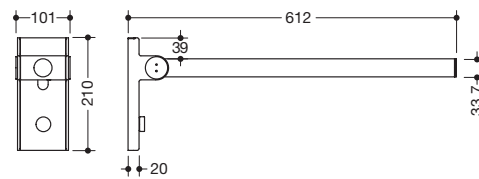
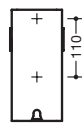
- blue button (wave symbol) serves to trigger the WC flush, red button (bell symbol) serves to trigger a freely definable function (the function button does not meet the emergency call requirements according to DIN VDE 0834-1) (convex, tangible pressure points)
- cable with free cable ends for wall connection
- including white cover for flush-mounted box
- control voltage max. 30 V = SELV, PELV, switching current up to max. 2 A
- suitable for all standard concealed cisterns with electrical control

Item Number

Dimensions in mm / Specification



Drill hole



900.50.10060 ZB

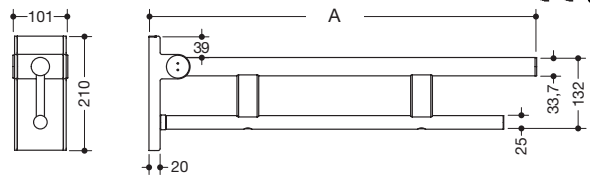
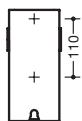


HEWI Hinged support rail Mono, Design A

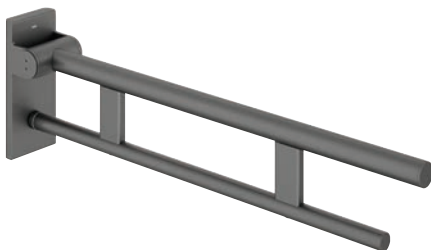
- with one horizontal, round gripping level
- can be folded upwards and, with friction device, downwards
- maintenance free, permanently smooth and easy moving joint, preset in the factory
- from 45° tilt the hinged support rail lowers automatically
- in the upper position (tilt < 45°) a defined friction force secures the hinged support rail against accidental lowering/release
- a defined stop prevents the hinged support rail from hitting the wall
- **projection 612 mm**, 210 mm high and 101 mm wide, rail \varnothing 33,7 mm
- made of stainless steel, powder-coated in desired colour
- loading capacity 100 kg
- for wall mounting with non-corrosive and tested HEWI fixing material for different wall constructions (to be ordered separately)
- incl. sealing tape for sealing the fixing points
- fulfils highest cleaning product resistance and hygiene requirements
- produced in accordance with CE- and UKCA-Regulation (EU) 2017/745 on medical devices; fulfils the requirements according to DIN 18040

Ordering information: item number, desired colour shade glossy or matt

Drill hole



900.50....60 ZF



HEWI Hinged support rail Duo, Design A

- two parallel, round gripping levels arranged on top of each other
- can be folded upwards and, with friction device, downwards
- maintenance free, permanently smooth and easy moving joint, preset in the factory
- from 45° tilt the hinged support rail lowers automatically
- in the upper position (tilt < 45°) a defined friction force secures the hinged support rail against accidental lowering/release
- a defined stop prevents the hinged support rail from hitting the wall
- maximum product stiffness increases stability and gives the user a secure grip feeling
- 210 mm high, 101 mm wide, top rail \varnothing 33,7 mm, bottom rail \varnothing 25 mm
- made of stainless steel, powder-coated in desired colour
- cover cap of the bottom rail made of matt polyamide in HEWI colours 98 (signal white), 92 (anthracite grey) or 90 (jet black)
- loading capacity 100 kg
- for wall mounting with non-corrosive and tested HEWI fixing material for different wall constructions (to be ordered separately)
- incl. sealing tape for sealing the fixing points
- fulfils highest cleaning product resistance and hygiene requirements
- floor supports 900.50.020... and 900.50.021... can be retrofitted
- produced in accordance with CE- and UKCA-Regulation (EU) 2017/745 on medical devices; fulfils the requirements according to DIN 18040, ÖNORM B1600/1601 and SIA 500

All variants see page 54

Ordering information: item number, desired colour shade glossy or matt, colour of the synthetic elements



Applications

HEWI Powder coating | Surfaces

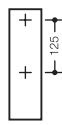
- **Desired colour shade** (RAL Classic, RAL Design plus or Pantone palette (Fashion, Home + Interiors Color Guide Book))
- **Glossy or matt**

HEWI Fixing material BM10.2 to BM18.2 to be ordered separately
HEWI Height adjustable plate 950.50.10260 to be ordered separately

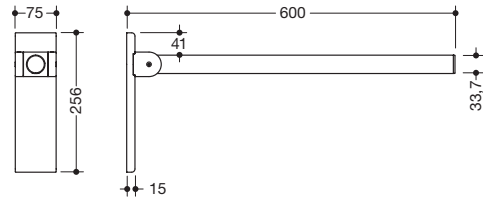
Item Number

Dimensions in mm / Specification

Drill hole



900.50.21560 ZB



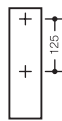
HEWI Hinged support rail Mono, Design B

- with one horizontal, round gripping level
- can be folded upwards and, with friction device, downwards
- maintenance free, permanently smooth and easy moving joint, preset in the factory
- from 45° tilt the hinged support rail lowers automatically
- in the upper position (tilt < 45°) a defined friction force secures the hinged support rail against accidental lowering/release
- **projection 600 mm**, 256 mm high and 75 mm wide, rail \varnothing 33,7 mm
- made of stainless steel, powder-coated in desired colour
- loading capacity 75 kg
- wall plate made of polyamide with integrated steel core and satin finished stainless steel cover, powder-coated in desired colour
- for wall mounting with non-corrosive and tested HEWI fixing material for different wall constructions (to be ordered separately)
- incl. sealing tape for sealing the fixing points
- fulfils highest cleaning product resistance and hygiene requirements
- produced in accordance with CE- and UKCA-Regulation (EU) 2017/745 on medical devices; fulfils the requirements according to DIN 18040

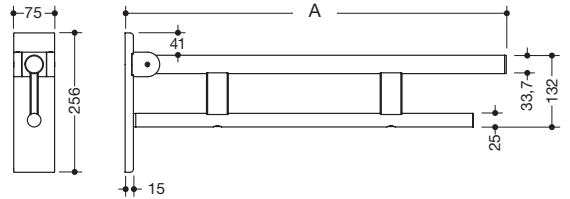
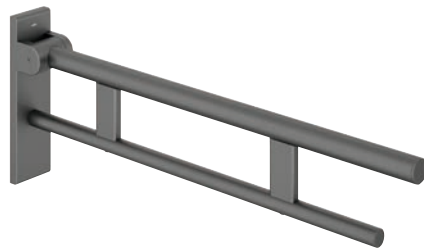
Ordering information: item number, desired colour shade glossy or matt



Drill hole



900.50....60 ZF



HEWI Hinged support rail Duo, Design B

- two parallel, round gripping levels arranged on top of each other
- can be folded upwards and, with friction device, downwards
- maintenance free, permanently smooth and easy moving joint, preset in the factory
- from 45° tilt the hinged support rail lowers automatically
- in the upper position (tilt < 45°) a defined friction force secures the hinged support rail against accidental lowering/release
- 256 mm high, 75 mm wide, top rail \varnothing 33,7 mm, bottom rail \varnothing 25 mm
- made of stainless steel, powder-coated in desired colour
- cover cap of the bottom rail made of matt polyamide in HEWI colours 98 (signal white), 92 (anthracite grey) or 90 (jet black)
- loading capacity 100 kg
- wall plate made of polyamide with integrated steel core and satin finished stainless steel cover, powder-coated in desired colour
- for wall mounting with non-corrosive and tested HEWI fixing material for different wall constructions (to be ordered separately)
- incl. sealing tape for sealing the fixing points
- fulfils highest cleaning product resistance and hygiene requirements
- floor supports 900.50.020... and 900.50.021... can be retrofitted
- produced in accordance with CE- and UKCA-Regulation (EU) 2017/745 on medical devices; fulfils the requirements according to DIN 18040, ÖNORM B1600/1601 and SIA 500

All variants see page 55

Ordering information: item number, desired colour shade glossy or matt, colour of the synthetic elements



☐ ■ ■ Applications

HEWI Colours

☐ ■ ■
98 92 90

HEWI Fixing material BM10.2 to BM18.2 to be ordered separately

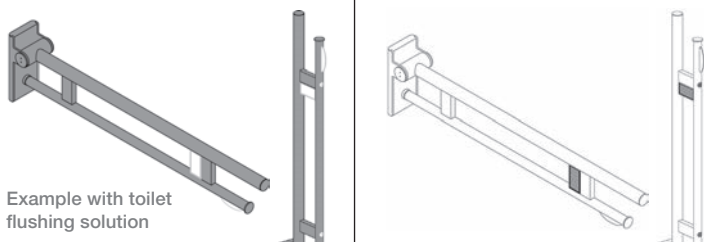
HEWI Height adjustable plate 950.50.10260 to be ordered separately

HINGED SUPPORT RAIL DUO, DESIGN A

Function	Version (seen from user's view)	Variant/projection A	St. steel powder-coated
		600 (A = 612 mm)	900.50.10160 ZF
		700 (A = 712 mm)	900.50.10260 ZF
		750 (A = 762 mm)	900.50.10360 ZF
		850 (A = 862 mm)	900.50.10460 ZF
		900 (A = 912 mm)	900.50.10560 ZF
Toilet flushing solution (radio)	left	700 (A = 712 mm)	900.50.11860 ZF
		750 (A = 762 mm)	900.50.11960 ZF
		850 (A = 862 mm)	900.50.12060 ZF
		900 (A = 912 mm)	900.50.12160 ZF
	right	700 (A = 712 mm)	900.50.12260 ZF
		750 (A = 762 mm)	900.50.12360 ZF
		850 (A = 862 mm)	900.50.12460 ZF
		900 (A = 912 mm)	900.50.12560 ZF
Toilet flushing solution (E-model)	left	700 (A = 712 mm)	900.50.14260 ZF
		750 (A = 762 mm)	900.50.14360 ZF
		850 (A = 862 mm)	900.50.14460 ZF
		900 (A = 912 mm)	900.50.14560 ZF
	right	700 (A = 712 mm)	900.50.14660 ZF
		750 (A = 762 mm)	900.50.14760 ZF
		850 (A = 862 mm)	900.50.14860 ZF
		900 (A = 912 mm)	900.50.14960 ZF
Toilet flushing solution/function button (E-model)	left	700 (A = 712 mm)	900.50.15060 ZF
		750 (A = 762 mm)	900.50.15160 ZF
		850 (A = 862 mm)	900.50.15260 ZF
		900 (A = 912 mm)	900.50.15360 ZF
	right	700 (A = 712 mm)	900.50.15460 ZF
		750 (A = 762 mm)	900.50.15560 ZF
		850 (A = 862 mm)	900.50.15660 ZF
		900 (A = 912 mm)	900.50.15760 ZF

... WITH TOILET ROLL HOLDER, DESIGN A

Function	Version (seen from user's view)	Variant/projection A	St. steel powder-coated
Toilet roll holder		700 (A = 712 mm)	900.50.10660 ZF
		750 (A = 762 mm)	900.50.10760 ZF
		850 (A = 862 mm)	900.50.10860 ZF
		900 (A = 912 mm)	900.50.10960 ZF
Toilet roll holder and toilet flushing solution (radio)	left	700 (A = 712 mm)	900.50.11060 ZF
		750 (A = 762 mm)	900.50.11160 ZF
		850 (A = 862 mm)	900.50.11260 ZF
		900 (A = 912 mm)	900.50.11360 ZF
	right	700 (A = 712 mm)	900.50.11460 ZF
		750 (A = 762 mm)	900.50.11560 ZF
		850 (A = 862 mm)	900.50.11660 ZF
		900 (A = 912 mm)	900.50.11760 ZF
Toilet roll holder and toilet flushing solution (E-model)	left	700 (A = 712 mm)	900.50.12660 ZF
		750 (A = 762 mm)	900.50.12760 ZF
		850 (A = 862 mm)	900.50.12860 ZF
		900 (A = 912 mm)	900.50.12960 ZF
	right	700 (A = 712 mm)	900.50.13060 ZF
		750 (A = 762 mm)	900.50.13160 ZF
		850 (A = 862 mm)	900.50.13260 ZF
		900 (A = 912 mm)	900.50.13360 ZF
Toilet roll holder and toilet flushing solution/function button (E-model)	left	700 (A = 712 mm)	900.50.13460 ZF
		750 (A = 762 mm)	900.50.13560 ZF
		850 (A = 862 mm)	900.50.13660 ZF
		900 (A = 912 mm)	900.50.13760 ZF
	right	700 (A = 712 mm)	900.50.13860 ZF
		750 (A = 762 mm)	900.50.13960 ZF
		850 (A = 862 mm)	900.50.14060 ZF
		900 (A = 912 mm)	900.50.14160 ZF



Example with toilet flushing solution

Ordering information:

Powder coating

- Specification of the colour value: RAL Classic, RAL Design plus or Pantone palette (Fashion, Home + Interiors Color Guide Book)
- Surface: glossy or matt

Colour of the synthetic elements

- Predefined selection options (caps on bottom rail and, if applicable, housing of flush actuator in 98, 92, 90 matt)

HEWI Powder coating | Surfaces

- ▣ **Desired colour shade** (RAL Classic, RAL Design plus or Pantone palette (Fashion, Home + Interiors Color Guide Book))
- Glossy or matt**

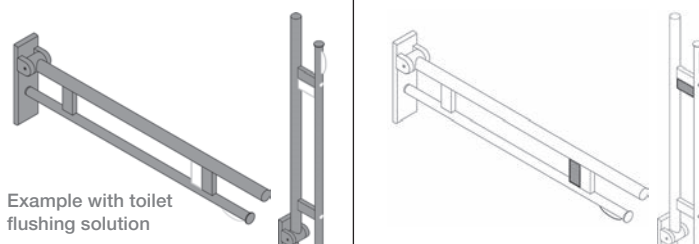
HEWI Fixing material **BM10.2 to BM18.2** to be ordered separately
 HEWI Height adjustable plate **950.50.10260** to be ordered separately

HINGED SUPPORT RAIL DUO, DESIGN B

Function	Version (seen from user's view)	Variant / projection A	St. steel powder-coated
		600 mm	900.50.15860 ZF
		700 mm	900.50.15960 ZF
		750 mm	900.50.16060 ZF
		850 mm	900.50.16160 ZF
		900 mm	900.50.16260 ZF
Toilet flushing solution (radio)	left	700 mm	900.50.17560 ZF
		750 mm	900.50.17660 ZF
		850 mm	900.50.17760 ZF
		900 mm	900.50.17860 ZF
	right	700 mm	900.50.17960 ZF
		750 mm	900.50.18060 ZF
		850 mm	900.50.18160 ZF
		900 mm	900.50.18260 ZF
Toilet flushing solution (E-model)	left	700 mm	900.50.19960 ZF
		750 mm	900.50.20060 ZF
		850 mm	900.50.20160 ZF
		900 mm	900.50.20260 ZF
	right	700 mm	900.50.20360 ZF
		750 mm	900.50.20460 ZF
		850 mm	900.50.20560 ZF
		900 mm	900.50.20660 ZF
Toilet flushing solution/function button (E-model)	left	700 mm	900.50.20760 ZF
		750 mm	900.50.20860 ZF
		850 mm	900.50.20960 ZF
		900 mm	900.50.21060 ZF
	right	700 mm	900.50.21160 ZF
		750 mm	900.50.21260 ZF
		850 mm	900.50.21360 ZF
		900 mm	900.50.21460 ZF

... WITH TOILET ROLL HOLDER, DESIGN B

Function	Version (seen from user's view)	Variant / projection A	St. steel powder-coated
Toilet roll holder		700 mm	900.50.16360 ZF
		750 mm	900.50.16460 ZF
		850 mm	900.50.16560 ZF
		900 mm	900.50.16660 ZF
Toilet roll holder and toilet flushing solution (radio)	left	700 mm	900.50.16760 ZF
		750 mm	900.50.16860 ZF
		850 mm	900.50.16960 ZF
		900 mm	900.50.17060 ZF
	right	700 mm	900.50.17160 ZF
		750 mm	900.50.17260 ZF
		850 mm	900.50.17360 ZF
		900 mm	900.50.17460 ZF
Toilet roll holder and toilet flushing solution (E-model)	left	700 mm	900.50.18360 ZF
		750 mm	900.50.18460 ZF
		850 mm	900.50.18560 ZF
		900 mm	900.50.18660 ZF
	right	700 mm	900.50.18760 ZF
		750 mm	900.50.18860 ZF
		850 mm	900.50.18960 ZF
		900 mm	900.50.19060 ZF
Toilet roll holder and toilet flushing solution/function button (E-model)	left	700 mm	900.50.19160 ZF
		750 mm	900.50.19260 ZF
		850 mm	900.50.19360 ZF
		900 mm	900.50.19460 ZF
	right	700 mm	900.50.19560 ZF
		750 mm	900.50.19660 ZF
		850 mm	900.50.19760 ZF
		900 mm	900.50.19860 ZF



Example with toilet flushing solution

Ordering information:

Powder coating

- Specification of the colour value: RAL Classic, RAL Design plus or Pantone palette (Fashion, Home + Interiors Color Guide Book)
- Surface: glossy or matt

Colour of the synthetic elements

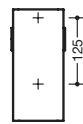
- Predefined selection options (caps on bottom rail and, if applicable, housing of flush actuator in 98, 92, 90 matt)

HEWI Fixing material BM10.2 to BM18.2 to be ordered separately
HEWI Height adjustable plate 950.50.10260 to be ordered separately

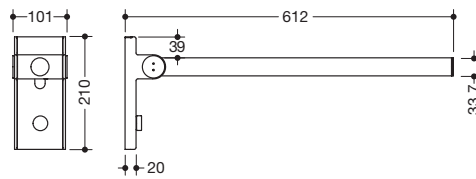
Item Number

Dimensions in mm / Specification

Drill hole



900.50.40060 ZB

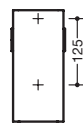


HEWI Mobile hinged support rail Mono, Design A

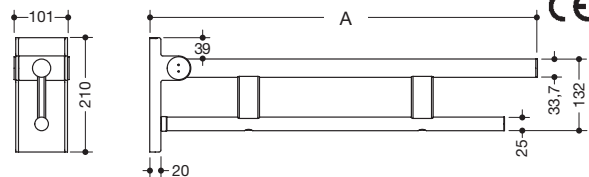
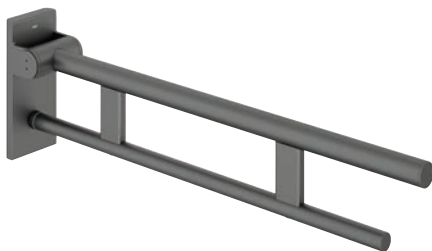
- with one horizontal, round gripping level
- can be folded upwards and, with friction device, downwards
- maintenance free, permanently smooth and easy moving joint, preset in the factory
- from 45° tilt the hinged support rail lowers automatically
- in the upper position (tilt < 45°) a defined friction force secures the hinged support rail against accidental lowering/release
- made of stainless steel, powder-coated in desired colour
- loading capacity 100 kg, for mobile use
- for easy and flexible retrofitting on pre-assembled HEWI mounting plate (900.50.001..., to be ordered separately)
- toolless and quick installation by simple attachment of the mobile hinged support rail, additionally secured with fastening screw
- **projection 612 mm**, 210 mm high and 101 mm wide, rail \varnothing 33,7 mm
- sealing tape for sealing the fixing points is included in the scope of supply of the mounting plate
- produced in accordance with CE- and UKCA-Regulation (EU) 2017/745 on medical devices; fulfils the requirements according to DIN 18040

Ordering information: item number, desired colour shade glossy or matt

Drill hole



900.50.4...60 ZF



HEWI Mobile hinged support rail Duo, Design A

- two parallel, round gripping levels arranged on top of each other
- can be folded upwards and, with friction device, downwards
- maintenance free, permanently smooth and easy moving joint, preset in the factory
- from 45° tilt the hinged support rail lowers automatically
- in the upper position (tilt < 45°) a defined friction force secures the hinged support rail against accidental lowering/release
- a defined stop prevents the hinged support rail from hitting the wall
- maximum product stiffness increases stability and gives the user a secure grip feeling
- made of stainless steel, powder-coated in desired colour
- cover cap of the bottom rail made of matt polyamide in HEWI colours 98 (signal white), 92 (anthracite grey) or 90 (jet black)
- loading capacity 100 kg
- for easy and flexible retrofitting on pre-assembled HEWI mounting plate (900.50.00160, to be ordered separately)
- toolless and quick installation by simple attachment of the mobile hinged support rail, additionally secured with fastening screw
- 210 mm high, 101 mm wide, top rail \varnothing 33,7 mm, bottom rail \varnothing 25 mm
- sealing tape for sealing the fixing points is included in the scope of supply of the mounting plate
- floor supports 900.50.020... and 900.50.021... can be retrofitted
- produced in accordance with CE- and UKCA-Regulation (EU) 2017/745 on medical devices; fulfils the requirements according to B1600/1601 and SIA 500

All variants see right

Ordering information: item number, desired colour shade glossy or matt, colour of the synthetic elements



Applications

HEWI Powder coating | Surfaces





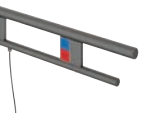
- **Desired colour shade** (RAL Classic, RAL Design plus or Pantone palette (Fashion, Home + Interiors Color Guide Book))
- **Glossy or matt**

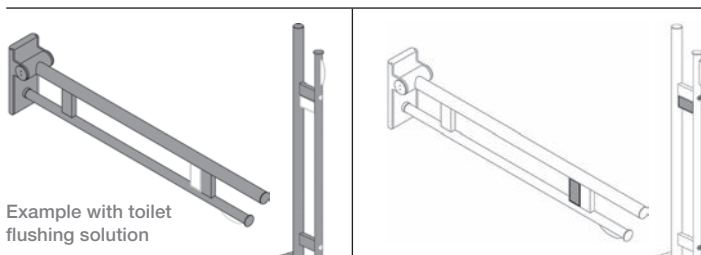
HEWI Fixing material BM10.2 to BM18.2 to be ordered separately

HEWI Mounting plate, cover see page 58, 59

HEWI Height adjustable plate 950.50.10260 to be ordered separately

MOBILE HINGED SUPPORT RAIL DUO, DESIGN A

Function	Version (seen from user's view)	Variant/ projection A	 St. steel powder-coated
without additional function 		600 (A = 612 mm)	900.50.40160 ZF
		700 (A = 712 mm)	900.50.40260 ZF
		750 (A = 762 mm)	900.50.40360 ZF
		850 (A = 862 mm)	900.50.40460 ZF
		900 (A = 912 mm)	900.50.40560 ZF
Toilet roll holder 		700 (A = 712 mm)	900.50.40660 ZF
		750 (A = 762 mm)	900.50.40760 ZF
		850 (A = 862 mm)	900.50.40860 ZF
		900 (A = 912 mm)	900.50.40960 ZF
Toilet flushing solution (radio) 	left	700 (A = 712 mm)	900.50.41860 ZF
		750 (A = 762 mm)	900.50.41960 ZF
		850 (A = 862 mm)	900.50.42060 ZF
		900 (A = 912 mm)	900.50.42160 ZF
	right	700 (A = 712 mm)	900.50.42260 ZF
		750 (A = 762 mm)	900.50.42360 ZF
		850 (A = 862 mm)	900.50.42460 ZF
		900 (A = 912 mm)	900.50.42560 ZF
Toilet roll holder and toilet flushing solution (radio) 	left	700 (A = 712 mm)	900.50.41060 ZF
		750 (A = 762 mm)	900.50.41160 ZF
		850 (A = 862 mm)	900.50.41260 ZF
		900 (A = 912 mm)	900.50.41360 ZF
	right	700 (A = 712 mm)	900.50.41460 ZF
		750 (A = 762 mm)	900.50.41560 ZF
		850 (A = 862 mm)	900.50.41660 ZF
		900 (A = 912 mm)	900.50.41760 ZF


 Example with toilet
flushing solution

Ordering information:
Powder coating

- Specification of the colour value: RAL Classic, RAL Design plus or Pantone palette (Fashion, Home + Interiors Color Guide Book)
- Surface: glossy or matt

Colour of the synthetic elements

- Predefined selection options (caps on bottom rail and, if applicable, housing of flush actuator in 98, 92, 90 matt)

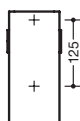
HEWI Colours

98
 92
 90

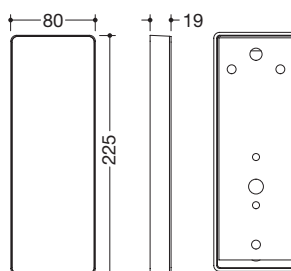
Item Number

Dimensions in mm / Specification

Drill hole



900.50.00360 ZF



HEWI Mounting plate with cover

- 80 mm wide, 225 mm high, 19 mm deep
- mounting plate and face plate of the cover made of high-quality stainless steel, powder-coated in desired colour
- cover frame made of high-quality glossy or matt polyamide in HEWI colours 98 (signal white), 92 (anthracite grey) or 90 (jet black)
- for wall-mounting with non-corrosive and tested HEWI fixing material for different wall constructions (to be ordered separately)
- incl. sealing tape for sealing the fixing points

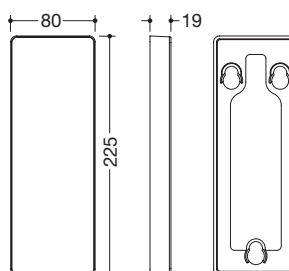
Ordering information: item number, desired colour shade glossy or matt, colour of the synthetic elements glossy or matt

HEWI Fixing material BM10.2 to BM18.2 to be ordered separately

- Mounting plate, face plate
- Frame



900.50.00260 ZF

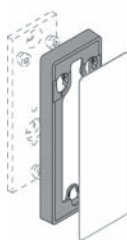
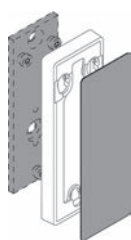


HEWI Cover for mounting plate

- for cover of the mounting plate by simple replacement
- 80 mm wide, 225 mm high, 19 mm deep
- face plate made of high-quality stainless steel, powder-coated in desired colour
- cover frame made of high-quality glossy or matt polyamide in HEWI colours 98 (signal white), 92 (anthracite grey) or 90 (jet black)

Ordering information: item number, desired colour shade glossy or matt, colour of the synthetic elements glossy or matt

- Face plate
- Frame



Ordering information:

Powder coating

- Specification of the colour value: RAL Classic, RAL Design plus or Pantone palette (Fashion, Home + Interiors Color Guide Book)
- Surface: glossy or matt

Colour of the synthetic elements

- Predefined selection options (face plate of the cover in 98, 92, 90 glossy or matt)

HEWI Powder coating | Surfaces

- Desired colour shade** (RAL Classic, RAL Design plus or Pantone palette (Fashion, Home + Interiors Color Guide Book))
- Glossy or matt**

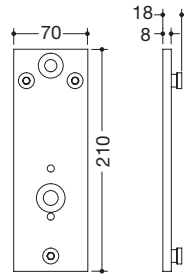
HEWI Height adjustable plate 950.50.10260 to be ordered separately

Item Number

Dimensions in mm / Specification



Drill hole



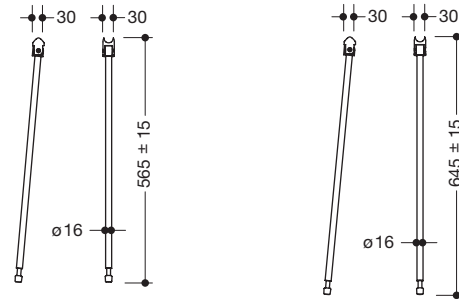
900.50.00160 ZB

HEWI Mounting plate

- to hold and fix the mobile hinged support rails 900.50.4...
- 70 mm wide, 210 mm high, 18 mm deep
- made of high-quality stainless steel, powder-coated in desired colour
- for wall-mounting with non-corrosive and tested HEWI fixing material for different wall constructions (to be ordered separately)
- incl. sealing tape for sealing the fixing points

Ordering information: item number, desired colour shade glossy or matt

HEWI Fixing material BM10.2 to BM18.2 to be ordered separately



900.50.02060 ZB

HEWI Floor support

- for retrofitting on hinged support rails Duo 900.50...
- height adjustment within +/- 15 mm range possible
- made of high-quality stainless steel, powder-coated in desired colour
- fulfils height adjustment requirements according to DIN 18040
- vertical length 645 mm, for mounting height 760 mm
- vertical length 565 mm, for mounting height 680 mm

900.50.02160 ZB

Ordering information: item number, desired colour shade glossy or matt



Fixing material for hinged support rails and mounting plate to be ordered separately

for fixing on walls made of:

- BM17.2**
- BM10.2**
- BM11.2**
- BM12.2**
- BM13.2**
- BM18.2**

- concrete > C20/C25, national technical approval number: ETA-11/0493
- concrete > C20/C25
- autoclaved aerated concrete (> P2)
- lightweight walls with rear lining made of laminated timber boards ...
- lightweight walls with integrated steel plates ...
- hollow concrete block, vertically perforated bricks, solid bricks,....
- national technical approval number: ETA-13/1036

HEWI Colours

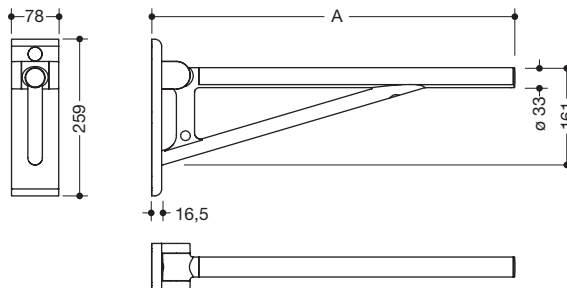
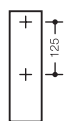
- ☐ 98
- 92
- 90

Item Number

Dimensions in mm / Specification



Drill hole



HEWI Hinged support rail

- with one horizontal, round gripping level
- can be folded upwards and, with friction device, downwards
- permanently smooth-running, low-maintenance joint, preset in the factory
- 259 mm high and 78 mm wide, rail \varnothing 33 mm
- loading capacity 100 kg
- wall plate and extension arm made of high-quality matt synthetic material in HEWI colours 98 (signal white), 92 (anthracite grey) or 90 (jet black)
- for mounting with corrosion-free and tested HEWI fixing material for different wall constructions (to be ordered separately)
- sealing tape for sealing the fixing points included in delivery

900.50.21660 ZF

projection 600 mm, fulfils the requirements according to DIN 18040

- rail made of metal, powder-coated in desired colour

900.50.21760 ZF

projection 700 mm

- rail made of metal, powder-coated in desired colour

900.50.21860 ZF

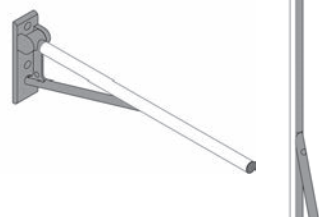
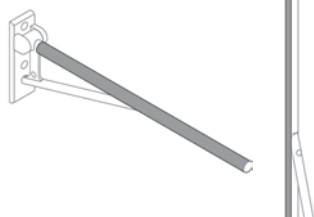
projection 850 mm, fulfils the requirements according to DIN 18040, ÖNORM B1600/1601 and SIA 500

- rail made of metal, powder-coated in desired colour

Ordering information: item number, desired colour shade glossy or matt, colour of the synthetic elements

☒ Top rail

☒ ■ Wall connection, extension arm, underside of top rail



Ordering information:

Powder coating

- Specification of the colour value: RAL Classic, RAL Design plus or Pantone palette (Fashion, Home + Interiors Color Guide Book)
- Surface: glossy or matt

Colour of the synthetic elements

- Predefined selection options (wall connection, extension arm, underside of top rail in 98, 92, 90 matt)

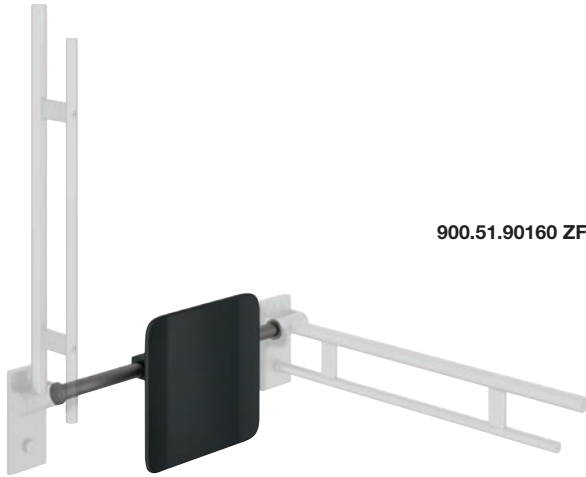
HEWI Powder coating | Surfaces

- ☒ **Desired colour shade** (RAL Classic, RAL Design plus or Pantone palette (Fashion, Home + Interiors Color Guide Book))
- Glossy or matt**

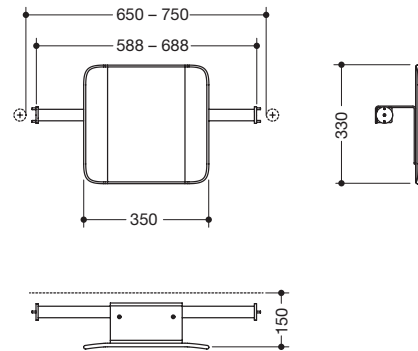
HEWI Fixing material BM10.2 to BM18.2 to be ordered separately

Item Number

Dimensions in mm / Specification



900.51.90160 ZF



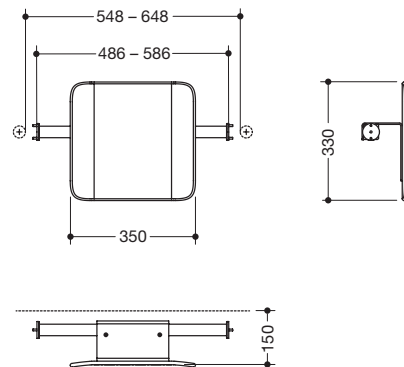
HEWI Backrest rail (for Design A)

- backrest with fixing rails on both sides
- mounting onto hinged support rails system 900, Design A
- 330 mm high and 150 mm deep, backrest: 350 mm wide
- rails \varnothing 32 mm, tube thickness 2 mm
- c to c from 588 to 688 mm (clear dimension between the rails of the hinged support rails 650-750 mm) adjustable on site
- backrest made synthetic material in HEWI colours 98 (signal white), 92 (anthracite grey) or 90 (jet black)
- connection made of high-quality stainless steel, powder-coated in desired colour
- fulfils the requirements acc. to DIN 18040 and ÖNORM B 1600/1601
- including non-corrosive and tested HEWI fixing material

The HEWI backrest rail 900.51.901.. can only be installed in combination with hinged support rails System 900 Design A.

If the backrest rail is to be mounted individually, use version 900.51.900.. with roses.

Ordering information: item number, desired colour shade glossy or matt, colour of the synthetic elements



900.51.90660 ZF

HEWI Backrest rail (for Design A)

- do., c to c from 486 to 586 mm (clear dimension between the rails of the hinged support rails 548-648 mm) adjustable on site
- fulfils the requirements to British-Standard BS 8300:2009+A1:2010/ Doc M

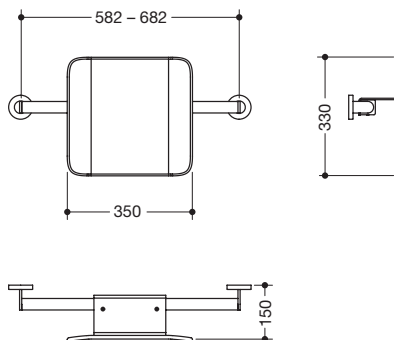
Ordering information: item number, desired colour shade glossy or matt, colour of the synthetic elements



HEWI Colours



98 92 90




900.51.90060 ZF

HEWI Backrest rail (for Design A and B)

- backrest with fixing rails on both sides and roses for wall mounting
- 330 mm high and 150 mm deep, backrest: 350 mm wide
- rails ø 32 mm, tube thickness 2 mm
- c to c from 582 to 682 mm adjustable on site
- backrest made synthetic material in HEWI colours 98 (signal white), 92 (anthracite grey) or 90 (jet black)
- wall connection made of high-quality stainless steel, powder-coated in desired colour
- fulfils the requirements according to DIN 18040 and ÖNORM B 1600/1601
- including non-corrosive and tested HEWI fixing material

Ordering information: item number, desired colour shade glossy or matt, colour of the synthetic elements



 Rails
 Backrest

New 900.51.91160 ZF

HEWI Mobile backrest rail (for Design A and B)

- do., for mobile use
- easy installation due to individually mountable stainless steel fixing plates for hanging the rail
- is secured with fastening screw (theft protection)

Ordering information: item number, desired colour shade glossy or matt, colour of the synthetic elements

 Rails
 Backrest


900.36.018XA
900.36.01660 ZB
900.36.01760 ZB

HEWI Mounting plate see page 67

HEWI Cover for mounting plate see page 67

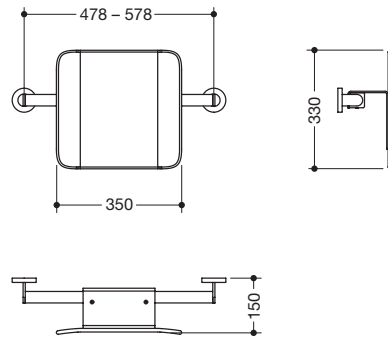
HEWI Mounting plate with cover see page 67

HEWI Powder coating | Surfaces

-  **Desired colour shade** (RAL Classic, RAL Design plus or Pantone palette (Fashion, Home + Interiors Color Guide Book))
- Glossy or matt**

Item Number

Dimensions in mm / Specification

**900.51.90560 ZF****HEWI Backrest rail (for Design A and B)**

- backrest with fixing rails on both sides and roses for wall mounting
- 330 mm high and 150 mm deep, backrest: 350 mm wide
- rails \varnothing 32 mm, tube thickness 2 mm
- c to c from 478 to 578 mm adjustable on site
- backrest made synthetic material in HEWI colours 98 (signal white), 92 (anthracite grey) or 90 (jet black)
- wall connection made of high-quality stainless steel, powder-coated in desired colour
- fulfils the requirements according to DIN 18040 and ÖNORM B 1600/1601
- fulfils the requirements to British-Standard BS 8300:2009+A1:2010/ Doc M
- including non-corrosive and tested HEWI fixing material

Ordering information: item number, desired colour shade glossy or matt, colour of the synthetic elements

RAILS
 BACKREST

New 900.51.91460 ZF**HEWI Mobile backrest rail (for Design A and B)**

- do., for mobile use
- easy installation due to individually mountable stainless steel fixing plates (included in delivery), for hanging the rail
- is secured with fastening screw (theft protection)

Ordering information: item number, desired colour shade glossy or matt, colour of the synthetic elements

900.36.018XA
900.36.01660 ZB
900.36.01760 ZB

HEWI Mounting plate see page 67

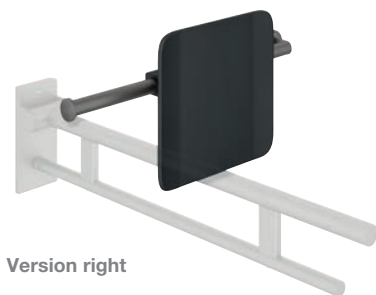
HEWI Cover for mounting plate see page 67

HEWI Mounting plate with cover see page 67

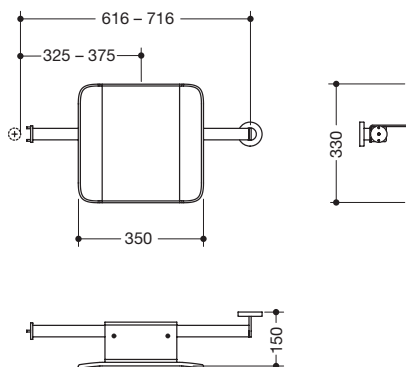
RAILS
 BACKREST

HEWI Colours

98 92 90



Version right



HEWI Backrest rail (for Design A)

- backrest with fixing rails on both sides
- one-sided wall mounting with roses
- one-sided mounting with hinged support rails System 900, Design A
- 330 mm high and 150 mm deep, backrest: 350 mm wide
- rails \varnothing 32 mm, tube thickness 2 mm
- c to c adjustable on site (clear dimension between top rail of hinged support rail and c to c of wall fixing 616-716 mm)
- backrest made synthetic material in HEWI colours 98 (signal white), 92 (anthracite grey) or 90 (jet black)
- connection made of high-quality stainless steel, powder-coated in desired colour
- fulfils the requirements according to DIN 18040 and ÖNORM B1600/1601
- including non-corrosive and tested HEWI fixing material

900.51.90360 ZF

Version right (from users point of view)

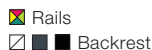
- rail right, rose left

900.51.90260 ZF

Version left (from users point of view)

- rail left, rose right

Ordering information: item number, desired colour shade glossy or matt, colour of the synthetic elements



HEWI Mobile backrest rail (for Design A and B)

- do., for mobile use
- easy installation due to individually mountable stainless steel fixing plates for hanging the rail
- is secured with fastening screw (theft protection)

New 900.51.91360 ZF

Version right (from users point of view)

- rail right, rose left

New 900.51.91260 ZF

Version left (from users point of view)

- rail left, rose right

Ordering information: item number, desired colour shade glossy or matt, colour of the synthetic elements

900.36.018XA
900.36.01660 ZB
900.36.01760 ZB

HEWI Mounting plate see page 67

HEWI Cover for mounting plate see page 67

HEWI Mounting plate with cover see page 67

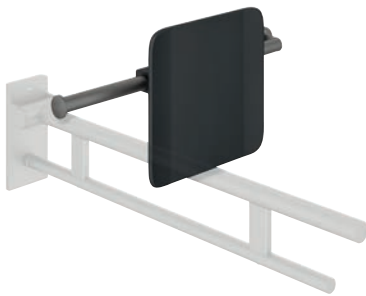


HEWI Powder coating | Surfaces

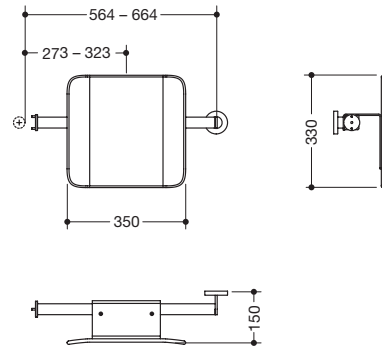
- **Desired colour shade** (RAL Classic, RAL Design plus or Pantone palette (Fashion, Home + Interiors Color Guide Book))
- **Glossy or matt**

Item Number

Dimensions in mm / Specification



Version right



HEWI Backrest rail (for Design A)

- backrest with fixing rails on both sides
- one-sided wall mounting with roses
- one-sided mounting with hinged support rails System 900, Design A
- 330 mm high and 150 mm deep, backrest: 350 mm wide
- rails \varnothing 32 mm, tube thickness 2 mm
- c to c adjustable on site (clear dimension between top rail of hinged support rail and c to c of wall fixing 564-664 mm)
- backrest made synthetic material in HEWI colours 98 (signal white), 92 (anthracite grey) or 90 (jet black)
- connection made of high-quality stainless steel, powder-coated in desired colour
- fulfils the requirements to British-Standard BS 8300:2009+A1:2010/Doc M
- including non-corrosive and tested HEWI fixing material

900.51.90860 ZF

Version right (from users point of view)

- rail right, rose left

900.51.90760 ZF

Version left (from users point of view)

- rail left, rose right

Ordering information: item number, desired colour shade glossy or matt, colour of the synthetic elements

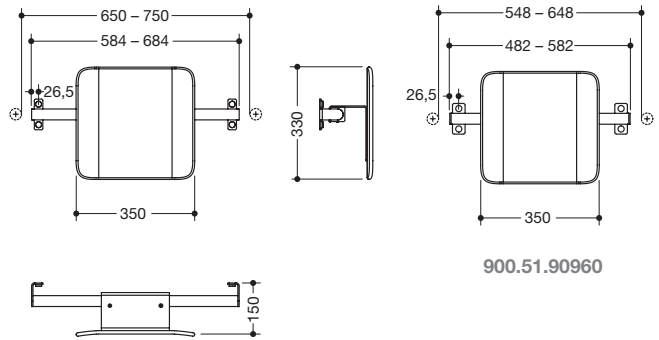
RAILS
 BACKREST

HEWI Colours

98 92 90

Item Number

Dimensions in mm / Specification



900.51.90960



900.51.90460 ZF



HEWI Backrest rail (for Design B)

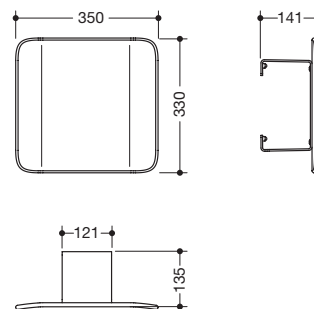
- backrest with fixing rails on both sides
- for wall mounting next to hinged support rails System 900, Design B
- 330 mm high and 150 mm deep, backrest: 350 mm wide
- rails \varnothing 32 mm, tube thickness 2 mm
- c to c from 584 to 684 mm (clear dimension between the rails of the hinged support rails 650 - 750 mm) adjustable on site
- backrest made synthetic material in HEWI colours 98 (signal white), 92 (anthracite grey) or 90 (jet black)
- wall connection made of high-quality stainless steel, powder-coated in desired colour
- fulfils the requirements according to DIN 18040 and ÖNORM B1600/1601
- including non-corrosive and tested HEWI fixing material

900.51.90960 ZF

- do., c to c from 482 to 582 mm (clear dimension between the rails of the hinged support rails 548 - 648 mm) adjustable on site
- fulfils the requirements to British-Standard BS 8300:2009+A1:2010/Doc M

Ordering information: item number, desired colour shade glossy or matt, colour of the synthetic elements

 Rails
 Backrest





900.51.91060 ZF


HEWI Backrest

- backrest with rear mounting brackets
- for wall mounting
- 350 mm wide, 330 mm high and 141 mm deep
- wall connection made of aluminum, powder-coated in desired colour
- backrest made of structured synthetic material in HEWI colours 98 (signal white), 92 (anthracite grey) or 90 (jet black)
- including non-corrosive and tested HEWI fixing material

Ordering information: item number, desired colour shade glossy or matt, colour of the synthetic elements

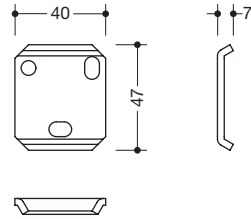
 Wall connection
 Backrest

HEWI Powder coating | Surfaces

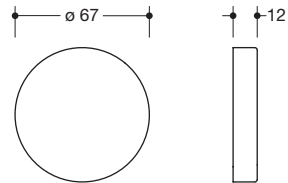
-  **Desired colour shade** (RAL Classic, RAL Design plus or Pantone palette (Fashion, Home + Interiors Color Guide Book))
- Glossy or matt**

Item Number

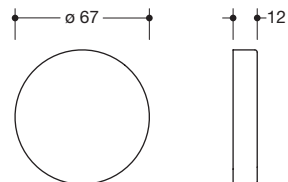
Dimensions in mm / Specification

**New** 900.36.018XA**HEWI Mounting plate
for mobile support rails and backrest rails**

- to hold and fix mobile support rails 900.36... and mobile backrest rails 900.51.91..
- 40 mm wide, 47 mm high, 7 mm deep
- made of stainless steel
- for mounting with corrosion-free and tested HEWI fixing material for different wall constructions (to be ordered separately)

**New** 900.36.01660 ZB**HEWI Cover
for mounting plate of mobile support rails and backrests**

- for cover of the mounting plate by simple replacement
- is secured with fastening screw (theft protection)
- made of high-quality stainless steel, powder-coated in desired colour
- \varnothing 70 mm, 12 mm deep

**Ordering information:** item number, desired colour shade glossy or matt**New** 900.36.01760 ZB**HEWI Mounting plate with cover
for mobile support rails and backrest rails**

- rectangular mounting plate with matching, round cover
- to hold mobile support rails 900.36... and mobile backrest rails 900.51.91..
- cover \varnothing 70 mm, 12 mm deep
- cover made of high-quality stainless steel
- mounting plate made of stainless steel, powder-coated in desired colour
- for mounting with corrosion-free and tested HEWI fixing material for different wall constructions (to be ordered separately)
- supplied per pair

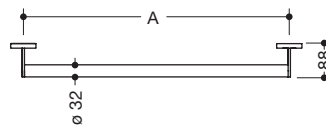
**Ordering information:** item number, desired colour shade glossy or matt**HEWI Surfaces | Colours**

XA 98 92 90

Special colours
System 900 | System 162 | Grip







900.36.00060 ZB
 900.36.00160 ZB
 900.36.00260 ZB
 900.36.00360 ZB
 900.36.00460 ZB
 900.36.00560 ZB
 900.36.00660 ZB
 900.36.00760 ZB

HEWI Support rail ø 32 mm

- rail ø 32 mm, 88 mm deep, tube thickness 2 mm, roses ø 70 mm
- made of high-quality stainless steel, powder-coated in desired colour
- upgrade kit toilet roll holder can be retrofitted
- incl. non-corrosive and tested HEWI fixing material for wall mounting
- additional sealing of the drilling points possible with sealing tape (included in delivery)
- for HEWI removable hanging seats acc. to table (see online catalogue)

- c to c 300 mm
- c to c 400 mm
- c to c 500 mm
- c to c 600 mm
- c to c 700 mm
- c to c 800 mm
- c to c 900 mm
- c to c 1000 mm

Ordering information: item number, desired colour shade glossy or matt



HEWI Mobile support rail ø 32 mm

- do., for mobile use
- easy installation due to individually mountable stainless steel fixing plates (included in delivery), for hanging the support rail
- is secured with fastening screw (theft protection)
- for HEWI removable hanging seats acc. to table (see online catalogue)

New 900.36.00860 ZB
New 900.36.00960 ZB
New 900.36.01060 ZB
New 900.36.01160 ZB
New 900.36.01260 ZB
New 900.36.01360 ZB
New 900.36.01460 ZB
New 900.36.01560 ZB

- c to c 300 mm
- c to c 400 mm
- c to c 500 mm
- c to c 600 mm
- c to c 700 mm
- c to c 800 mm
- c to c 900 mm
- c to c 1000 mm

Ordering information: item number, desired colour shade glossy or matt

900.36.018XA
 900.36.01660 ZB
 900.36.01760 ZB

HEWI Mounting plate see page 67

HEWI Cover for mounting plate see page 67

HEWI Mounting plate with cover see page 67



HEWI Powder coating | Surfaces

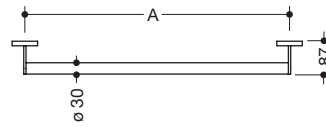
- Desired colour shade** (RAL Classic, RAL Design plus or Pantone palette (Fashion, Home + Interiors Color Guide Book))
Glossy or matt

Please note when using with removable hanging seats

Compatibility check required. A detailed list of the possible combinations of support rails, L-shaped support rails and shower head rails with matching removable hanging seats can be found in our online catalogue in the download area of the respective product.

Item Number

Dimensions in mm / Specification

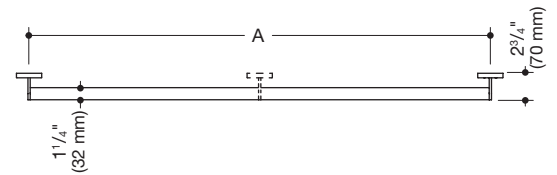


- 900.36.03060 ZB
- 900.36.03160 ZB
- 900.36.03260 ZB
- 900.36.03360 ZB
- 900.36.03460 ZB
- 900.36.03560 ZB
- 900.36.03660 ZB
- 900.36.03760 ZB

HEWI Support rail ø 30 mm

- rail ø 30 mm, 87 mm deep, tube thickness 2 mm, roses ø 70 mm
- made of high-quality stainless steel, powder-coated in desired colour
- upgrade kit toilet roll holder can be retrofitted
- incl. non-corrosive and tested HEWI fixing material for wall mounting
- additional sealing of the drilling points possible with sealing tape (included in delivery)
- for HEWI removable hanging seats acc. to table (see online catalogue)
- c to c 300 mm
- c to c 400 mm
- c to c 500 mm
- c to c 600 mm
- c to c 700 mm
- c to c 800 mm
- c to c 900 mm
- c to c 1000 mm

Ordering information: item number, desired colour shade glossy or matt



- 900.36.06060 ZB
- 900.36.06160 ZB
- 900.36.06260 ZB
- 900.36.06360 ZB
- 900.36.06460 ZB
- 900.36.06560 ZB
- 900.36.06660 ZB
- 900.36.06760 ZB*
- 900.36.06860 ZB*
- 900.36.06960 ZB*

HEWI Support rail ø 32 mm, especially for USA

- rail ø 1 1/4" (32 mm), 2 3/4" (70 mm) deep, tube thickness 1/16" (2 mm), roses ø 2 3/4" (70 mm)
- made of high-quality stainless steel, powder-coated in desired colour
- incl. non-corrosive and tested HEWI fixing material for wall mounting
- additional sealing of the drilling points possible with sealing tape (included in delivery)
- loading capacity up to 330 lbs (150 kg)
- fulfils the requirements of the 2010 ADA Standards and ICC/ANSI A117.1-2017
- c to c 12" (305 mm)
- c to c 16" (406 mm)
- c to c 18" (457 mm)
- c to c 24" (610 mm)
- c to c 30" (765 mm)
- c to c 36" (914 mm)
- c to c 42" (1067 mm)
- c to c 48" (1219 mm)
- c to c 52" (1321 mm)
- c to c 54" (1372 mm)

Ordering information: item number, desired colour shade glossy or matt

* Support rail with additional support positioned in the middle.

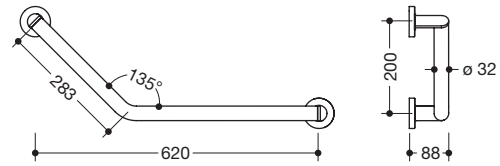


66779

HEWI Tight round plate, packing unit 10 pcs.



Version right



HEWI L-shaped support rail ø 32 mm

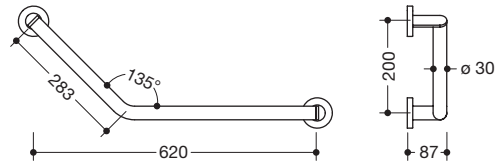
- c to c 620 mm and 283 mm, angle 135°
- rails ø 32 mm, 88 mm deep, tube thickness 2 mm, roses ø 70 mm
- made of high-quality stainless steel, powder-coated in desired colour
- upgrade kit toilet roll holder can be retrofitted
- incl. non-corrosive and tested HEWI fixing material for wall mounting
- additional sealing of the drilling points possible with sealing tape (included in delivery)

Ordering information: item number, desired colour shade glossy or matt

Version right	Version left
900.22.30060 ZB	900.22.30160 ZB



Version right



HEWI L-shaped support rail ø 30 mm

- do., rails ø 30 mm, 87 mm deep

Ordering information: item number, desired colour shade glossy or matt

Version right	Version left
900.22.33060 ZB	900.22.33160 ZB



HEWI Powder coating | Surfaces

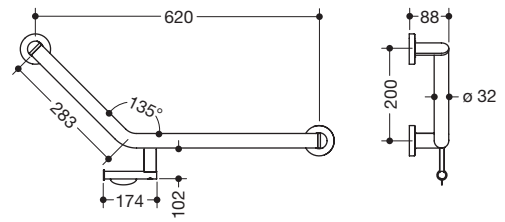
- Desired colour shade** (RAL Classic, RAL Design plus or Pantone palette (Fashion, Home + Interiors Color Guide Book))
- Glossy or matt**

Item Number

Dimensions in mm / Specification



Version right



HEWI L-shaped support rail ø 32 mm with toilet roll holder

- with integrated toilet roll holder
- c to c 620 mm and 283 mm, angle 135°
- rails ø 32 mm, 88 mm deep, tube thickness 2 mm, roses ø 70 mm
- made of high-quality stainless steel, powder-coated in desired colour
- incl. non-corrosive and tested HEWI fixing material for wall mounting
- additional sealing of the drilling points possible with sealing tape (included in delivery)

Ordering information: item number, desired colour shade glossy or matt

Version right

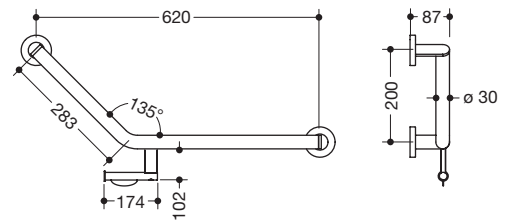
900.22.30260 ZB

Version left

900.22.30360 ZB



Version right



HEWI L-shaped support rail ø 30 mm with toilet roll holder

- do., rails ø 30 mm, 87 mm deep

Ordering information: item number, desired colour shade glossy or matt

Version right

900.22.33260 ZB

Version left

900.22.33360 ZB

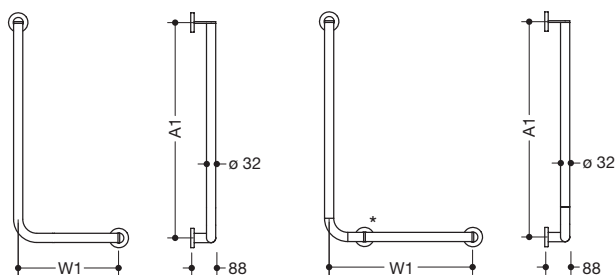


66779

HEWI Tight round plate, packing unit 10 pcs.



Version right



HEWI L-shaped support rail \varnothing 32 mm

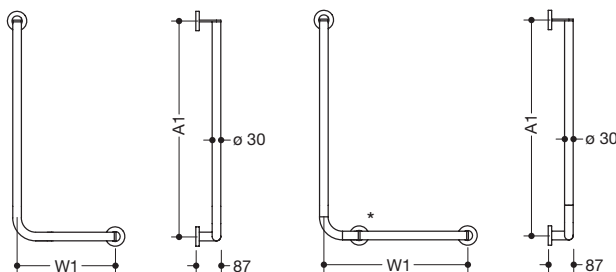
- rails \varnothing 32 mm, 88 mm deep, tube thickness 2 mm, roses \varnothing 70 mm
- made of high-quality stainless steel, powder-coated in desired colour
- incl. non-corrosive and tested HEWI fixing material for wall mounting
- additional sealing of the drilling points possible with sealing tape (included in delivery)

Ordering information: item number, desired colour shade glossy or matt

A1 x W1 (in mm)	Version right	Version left
255 x 255	900.22.10060 ZB	
600 x 300	900.22.10160 ZB	900.22.10560 ZB
750 x 500*	900.22.10260 ZB¹⁾	900.22.10660 ZB¹⁾
900 x 400*	900.22.10360 ZB	900.22.10760 ZB
1000 x 500*	900.22.10460 ZB²⁾	900.22.10860 ZB²⁾



Version right



HEWI L-shaped support rail \varnothing 30 mm

- do., rails \varnothing 30 mm, 87 mm deep

Ordering information: item number, desired colour shade glossy or matt

A1 x W1 (in mm)	Version right	Version left
255 x 255	900.22.13060 ZB	
600 x 300	900.22.13160 ZB	900.22.13560 ZB
750 x 500*	900.22.13260 ZB¹⁾	900.22.13660 ZB¹⁾
900 x 400*	900.22.13360 ZB	900.22.13760 ZB
1000 x 500*	900.22.13460 ZB²⁾	900.22.13860 ZB²⁾



*From A1 x W1 = 750 x 500 mm with 3. support.

¹⁾ fulfils ÖNORM B 1600/1601

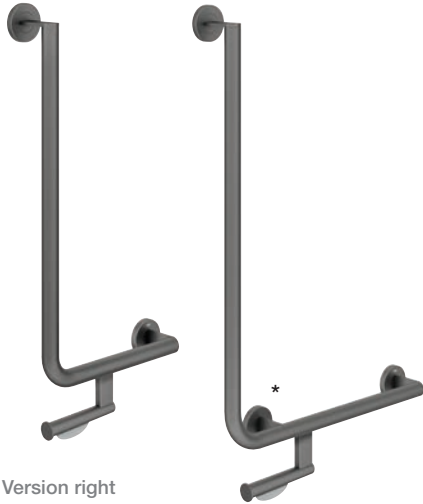
²⁾ fulfils SIA 500

HEWI Powder coating | Surfaces

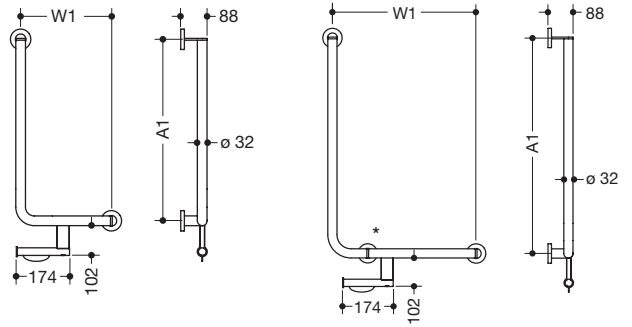
- ☒ **Desired colour shade** (RAL Classic, RAL Design plus or Pantone palette (Fashion, Home + Interiors Color Guide Book))
- Glossy or matt**

Item Number

Dimensions in mm / Specification



Version right

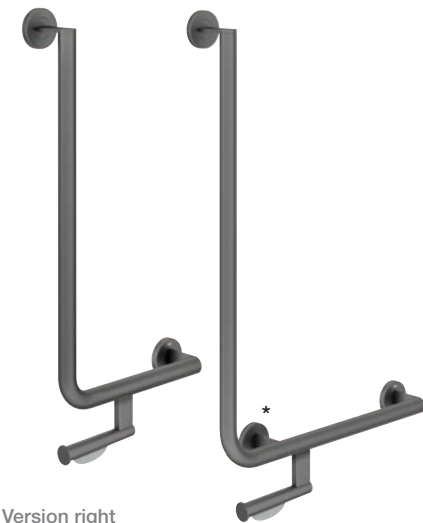


HEWI L-shaped support rail ø 32 mm with toilet roll holder

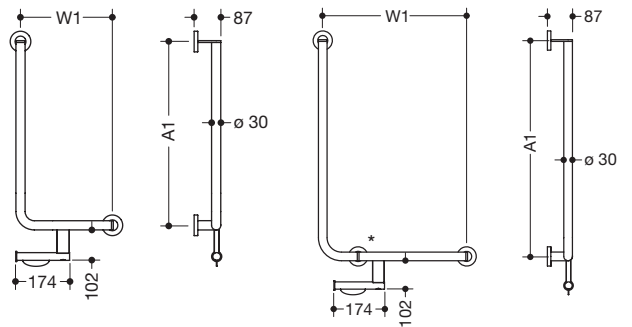
- with integrated toilet roll holder
- rails ø 32 mm, 88 mm deep, tube thickness 2 mm, roses ø 70 mm
- made of high-quality stainless steel, powder-coated in desired colour
- incl. non-corrosive and tested HEWI fixing material for wall mounting
- additional sealing of the drilling points possible with sealing tape (included in delivery)

Ordering information: item number, desired colour shade glossy or matt

A1 x W1 (in mm)	Version right	Version left
600 x 300	900.22.10960 ZB	900.22.11360 ZB
750 x 500*	900.22.11060 ZB¹⁾	900.22.11460 ZB¹⁾
900 x 400*	900.22.11160 ZB	900.22.11560 ZB
1000 x 500*	900.22.11260 ZB²⁾	900.22.11660 ZB²⁾



Version right



HEWI L-shaped support rail ø 30 mm with toilet roll holder

- do., rails ø 30 mm, 87 mm deep

Ordering information: item number, desired colour shade glossy or matt

A1 x W1 (in mm)	Version right	Version left
600 x 300	900.22.13960 ZB	900.22.14360 ZB
750 x 500*	900.22.14060 ZB¹⁾	900.22.14460 ZB¹⁾
900 x 400*	900.22.14160 ZB	900.22.14560 ZB
1000 x 500*	900.22.14260 ZB²⁾	900.22.14660 ZB²⁾



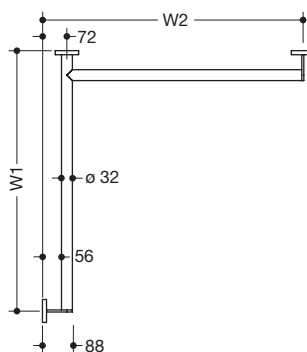
*From A1 x W1 = 750 x 500 mm with 3. support.

¹⁾ fulfils ÖNORM B 1600/1601

²⁾ fulfils SIA 500



Version right



HEWI Shower grab rail \varnothing 32 mm

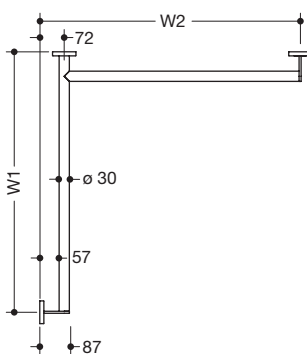
- rails \varnothing 32 mm, 88 mm deep, tube thickness 2 mm, roses \varnothing 70 mm
- made of high-quality stainless steel, powder-coated in desired colour
- reduced number of mounting roses due to innovative corner connection
- compensation of angle tolerance in room corner up to +/- 2° possible
- incl. non-corrosive and tested HEWI fixing material for wall mounting
- additional sealing of the drilling points possible with sealing tape (included in delivery)
- for HEWI removable hanging seats acc. to table (see online catalogue)

Ordering information: item number, desired colour shade glossy or matt

W1 x W2 (in mm)	Version right	Version left
765 x 475	900.35.10060 ZB	900.35.10360 ZB
765 x 765	900.35.10160 ZB	900.35.10460 ZB
965 x 965	900.35.10260 ZB	900.35.10560 ZB



Version right



HEWI Shower grab rail \varnothing 30 mm

- do., rails \varnothing 30 mm, 87 mm deep

Ordering information: item number, desired colour shade glossy or matt

W1 x W2 (in mm)	Version right	Version left
765 x 475	900.35.13060 ZB	900.35.13360 ZB
765 x 765	900.35.13160 ZB	900.35.13460 ZB
965 x 965	900.35.13260 ZB	900.35.13560 ZB



HEWI Powder coating | Surfaces

- Desired colour shade** (RAL Classic, RAL Design plus or Pantone palette (Fashion, Home + Interiors Color Guide Book))
- Glossy or matt**

Please note when using with removable hanging seats

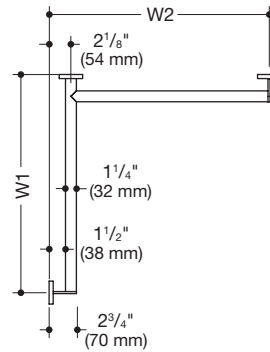
Compatibility check required. A detailed list of the possible combinations of support rails, L-shaped support rails and shower head rails with matching removable hanging seats can be found in our online catalogue in the download area of the respective product.

Item Number

Dimensions in mm / Specification



Version right



HEWI Shower grab rail ø 32 mm, especially for USA

- rails ø 1 1/4" (32 mm), 2 3/4" (70 mm) deep, tube thickness 1/16" (2 mm), roses 2 3/4" (70 mm)
- made of high-quality stainless steel, powder-coated in desired colour
- reduced number of mounting roses due to innovative corner connection
- compensation of angle tolerance in room corner up to +/- 2° possible
- incl. non-corrosive and tested HEWI fixing material for wall mounting
- additional sealing of the drilling points possible with sealing tape (included in delivery)
- fulfils the requirements of the 2010 ADA Standards and ICC/ANSI A117.1-2017

Ordering information: item number, desired colour shade glossy or matt

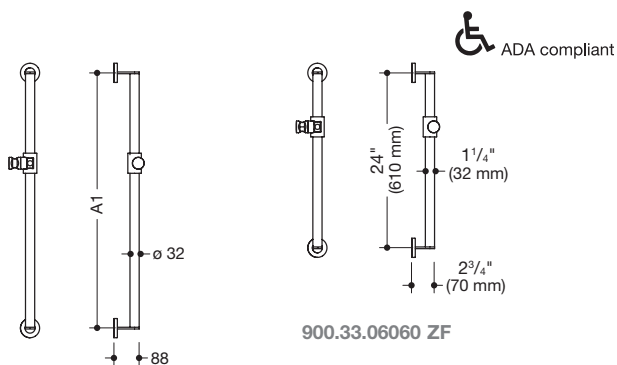
W1 x W2 in inch (in mm)	Version right	Version left
	25 1/2 x 25 1/2 (647 x 647)	900.35.16060 ZB
37 5/16 x 19 1/2 (947 x 495)	900.35.16160 ZB	900.35.16460 ZB
37 5/16 x 37 5/16 (947 x 947)	900.35.16260 ZB	900.35.16560 ZB





900.33.00060 ZF
900.33.00160 ZF
900.33.00260 ZF

900.33.06060 ZF



HEWI Rail with shower head holder ø 32 mm

- rail ø 32 mm, 88 mm deep, tube thickness 2 mm, roses ø 70 mm
- made of high-quality stainless steel, powder-coated in desired colour
- shower head holder made of high-quality matt polyamide in HEWI colours 98 (signal white), 92 (anthracite grey) and 90 (jet black)
- suitable for various manufacturers' shower heads
- shower head holder can be tilted continuously and, after pressing a large pushbutton, its height can be adjusted
- conical adapter on shower head holder facilitates accommodation of handspray
- incl. non-corrosive and tested HEWI fixing material for wall mounting
- additional sealing of the drilling points possible with sealing tape (included in delivery)
- upper mounting point (non-visible area) is accessible for easy replacement of shower head holder

- c to c 600 mm
- c to c 900 mm
- c to c 1100 mm

HEWI Rail with shower head holder ø 32 mm, especially for USA

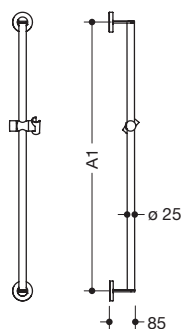
- do., c to c 24" (610 mm), 2 3/4" (70 mm) deep
- fulfils the requirements of the 2010 ADA Standards and ICC/ANSI A117.1-2017

Ordering information: item number, desired colour shade glossy or matt, colour of the synthetic elements

☒ ■ ■ Shower head holder



900.33.03060 ZB
900.33.03160 ZB
900.33.03260 ZB



HEWI Rail with shower head holder ø 25 mm

- do., rails ø 25 mm, 85 mm deep
- shower head holder made of synthetic material, chrome-plated

- c to c 600 mm
- c to c 900 mm
- c to c 1100 mm

Ordering information: item number, desired colour shade glossy or matt

☒ ■ Shower head holder

HEWI Powder coating | Surfaces
 ☒ **Desired colour shade** (RAL Classic, RAL Design plus or Pantone palette (Fashion, Home + Interiors Color Guide Book))
Glossy or matt

66771
70899

HEWI Shower head holder for ø 32 mm
HEWI Shower head holder for ø 25 mm

Item Number

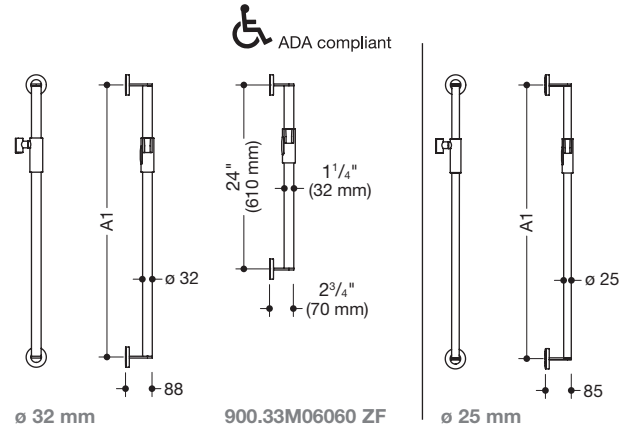
Dimensions in mm / Specification



ø 32 mm

ø 25 mm

- New** 900.33M00060 ZF
- New** 900.33M00160 ZF
- New** 900.33M00260 ZF
- New** 900.33M06060 ZF



ø 32 mm

900.33M06060 ZF

ø 25 mm

HEWI Rail with magnetic shower head holder ø 32 mm

- rail ø 32 mm, 88 mm deep, tube thickness 2 mm, roses ø 70 mm
- made of high-quality stainless steel, powder-coated in desired colour
- with magnetic shower head holder made of high-quality stainless steel, powder-coated in desired colour, optionally with insert made of matt synthetic material in 97 (light grey) or 90 (jet black)
- suitable for various manufacturers' shower heads
- simple and intuitive one-hand operation
- shower head holder infinitely adjustable, automatically fixed in place by magnets
- wear-free clamping mechanism
- conical holder on shower holder can be adjusted to any angle
- incl. non-corrosive and tested HEWI fixing material for wall mounting
- additional sealing of the drilling points possible with sealing tape (included in delivery)
- c to c 600 mm
- c to c 900 mm
- c to c 1100 mm

HEWI Rail with magnetic shower head holder ø 32 mm, especially for USA

- do., c to c 24" (610 mm), 2 3/4" (70 mm) deep
- fulfils the requirements of the 2010 ADA Standards and ICC/ANSI A117.1-2017

Ordering information: item number, desired colour shade glossy or matt, colour of the synthetic elements

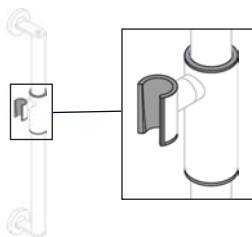
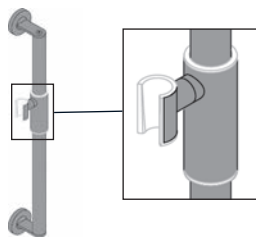
HEWI Rail with magnetic shower head holder ø 25 mm

- do., rail ø 25 mm, 85 mm deep, tube thickness 1,5 mm
- c to c 600 mm
- c to c 900 mm
- c to c 1100 mm

Ordering information: item number, desired colour shade glossy or matt, colour of the synthetic elements



Insert magnetic shower holder



Ordering information:

Powder coating

- Specification of the colour value: RAL Classic, RAL Design plus or Pantone-Palette (Fashion, Home + Interiors Color Guide Book)
- Surface: glossy or matt

Colour of the synthetic elements

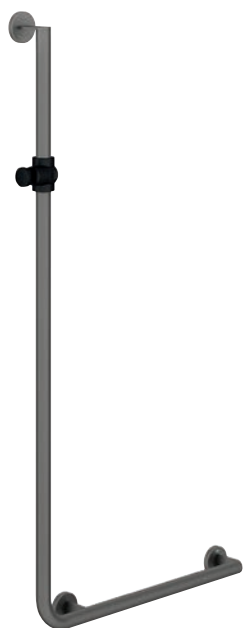
- Predefined selection options (insert of the magnetic shower holder in 97, 90 matt)

HEWI Colours | Surfaces

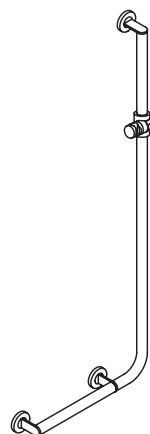
- 98 97 92 90 Chr

66779

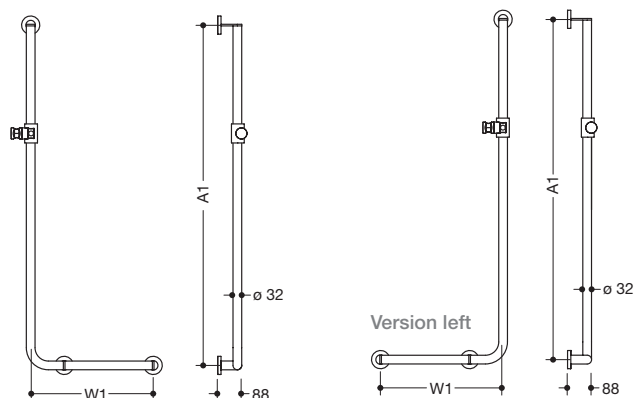
HEWI Tight round plate, packing unit 10 pcs.



Version right



Version left



HEWI L-shaped support rail with shower head holder ø 32 mm

- rails ø 32 mm, 88 mm deep, tube thickness 2 mm, roses ø 70 mm
- made of high-quality stainless steel, powder-coated in desired colour
- shower head holder made of high-quality matt polyamide in HEWI colours 98 (signal white), 92 (anthracite grey) and 90 (jet black)
- shower head holder can be tilted continuously and, after pressing a large pushbutton, its height can be adjusted
- conical adapter on shower head holder facilitates accommodation of handspray
- for mounting on the wall with specific HEWI fixing material and roses
- including non-corrosive HEWI fixing material
- additional sealing of the drilling points possible with sealing tape (included in delivery)
- upper mounting point (non-visible area) is accessible for easy replacement of shower head holder
- for HEWI removable hanging seats acc. to table (see online catalogue)

Ordering information: item number, desired colour shade glossy or matt, colour of the synthetic elements

A1 x W1 (in mm)	Version right	Version left
1250 x 450	900.33.20060 ZF	900.33.20260 ZF
1250 x 600	900.33.20160 ZF	900.33.20360 ZF

66771

HEWI Shower head holder for ø 32 mm

HEWI Powder coating | Surfaces

- Desired colour shade (RAL Classic, RAL Design plus or Pantone palette (Fashion, Home + Interiors Color Guide Book))
- Glossy or matt

Please note when using with removable hanging seats

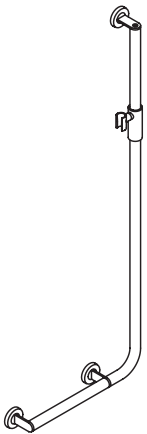
Compatibility check required. A detailed list of the possible combinations of support rails, L-shaped support rails and shower head rails with matching removable hanging seats can be found in our online catalogue in the download area of the respective product.

Item Number

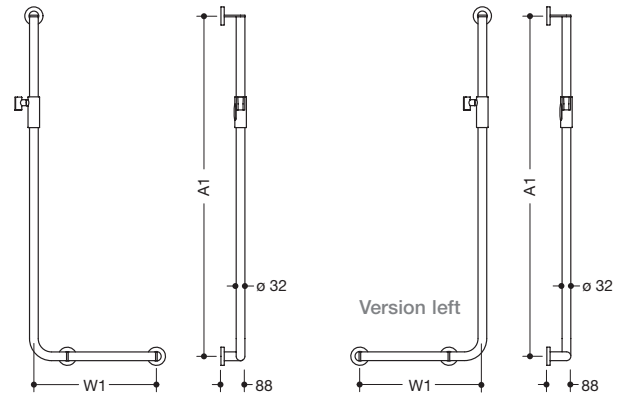
Dimensions in mm / Specification



Version right



Version left



**HEWI L-shaped support rail with magnetic shower head holder
ø 32 mm**

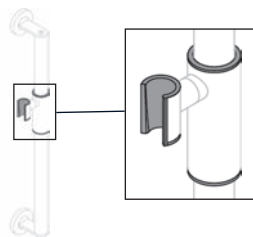
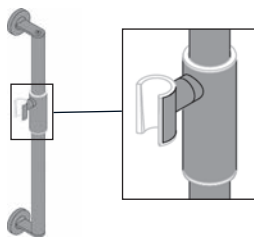
- rails ø 32 mm, 88 mm deep, tube thickness 2 mm, roses ø 70 mm
- made of high-quality stainless steel
- with magnetic shower head holder made of high-quality stainless steel, powder-coated in desired colour, optionally with insert made of matt synthetic material in 97 (light grey) or 90 (jet black)
- suitable for various manufacturers' shower heads
- simple and intuitive one-hand operation
- shower head holder infinitely adjustable, automatically fixed in place by magnets
- wear-free clamping mechanism
- conical holder on shower holder can be adjusted to any angle
- for mounting on the wall with specific HEWI fixing material and roses
- including non-corrosive HEWI fixing material
- additional sealing of the drilling points possible with sealing tape (included in delivery)
- for HEWI removable hanging seats acc. to table (see online catalogue)

Ordering information: item number, desired colour shade glossy or matt, colour of the synthetic elements

New

A1 x W1 (in mm)	Version right	Version left
1250 x 450	900.33M20060 ZF	900.33M20260 ZF
1250 x 600	900.33M20160 ZF	900.33M20360 ZF

Insert magnetic shower holder



Ordering information:

Powder coating

- Specification of the colour value: RAL Classic, RAL Design plus or Pantone-Palette (Fashion, Home + Interiors Color Guide Book)
- Surface: glossy or matt

Colour of the synthetic elements

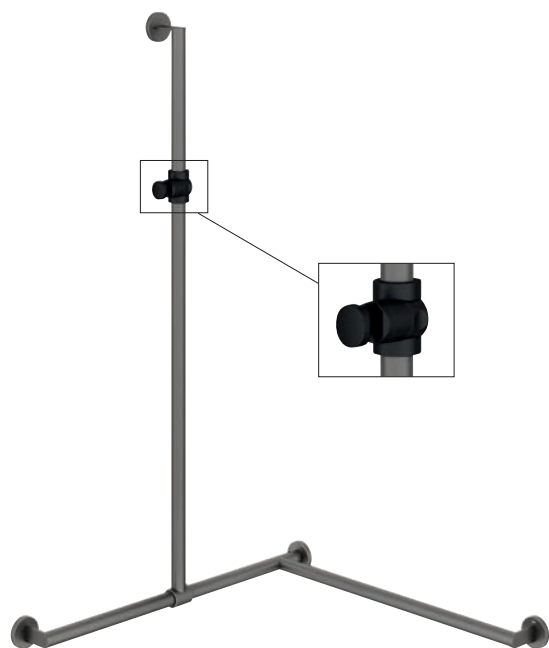
- Predefined selection options (insert of the magnetic shower holder in 97, 90 matt)

HEWI Colours

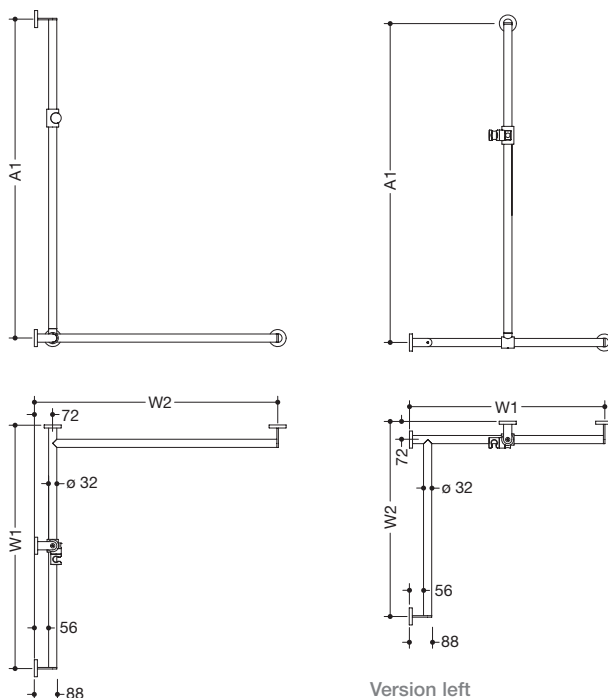
98 97 92 90

66779

HEWI Tight round plate, packing unit 10 pcs.



Version right

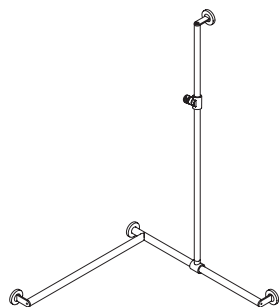


Version left

HEWI Rail with sideways adjustable vertical support bar and shower head holder ø 32 mm

- with shower head rail that can be moved to the side (for installation)
- rails ø 32 mm, tube thickness 2 mm, roses ø 70 mm, 88 mm deep
- made of high-quality stainless steel, powder-coated in desired colour
- shower head holder made of high-quality matt polyamide in HEWI colours 98 (signal white), 92 (anthracite grey) and 90 (jet black)
- suitable for various manufacturers' shower heads
- shower head holder can be tilted continuously and, after pressing a large pushbutton, its height can be adjusted
- conical adapter on shower head holder facilitates accommodation of handspray
- reduced number of mounting roses due to innovative corner connection
- compensation of angle tolerance in room corner up to +/- 2° possible
- incl. non-corrosive and tested HEWI fixing material for wall mounting
- additional sealing of the drilling points possible with sealing tape (included in delivery)
- upper mounting point (non-visible area) is accessible for easy replacement of shower head holder
- for HEWI removable hanging seats acc. to table (see online catalogue)

Ordering information: item number, desired colour shade glossy or matt, colour of the synthetic elements



Version left



Attention:

From an external dimension of W2 > 965 mm the rail has a centrally positioned, additional wall mounting.
 From an external dimension of W1 > 1185 mm, A1 has an additional wall mounting.
 Please advise A1, W1 and W2 when ordering.

*fulfils ÖNORM B 1600/1601

A1xW1xW2 (in mm)

	Version right	Version left
1250 x 765 x 765	900.35.30060 ZF	900.35.30360 ZF
1250 x 965 x 965	900.35.30160 ZF*	900.35.30460 ZF*
1250 x 1185 x 765	900.35.30260 ZF	900.35.30560 ZF
1250 x 765 x 965	900.35.30660 ZF*	900.35.30760 ZF*
1250 x 965 x 1185	900.35.30860 ZF*	900.35.30960 ZF*

HEWI Powder coating | Surfaces

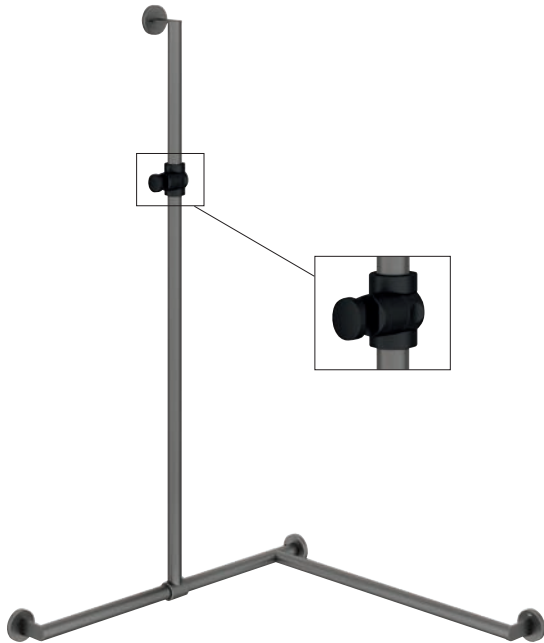
- ☒ **Desired colour shade** (RAL Classic, RAL Design plus or Pantone palette (Fashion, Home + Interiors Color Guide Book))
- Glossy or matt**

Please note when using with removable hanging seats

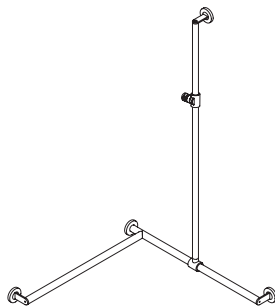
Compatibility check required. A detailed list of the possible combinations of support rails, L-shaped support rails and shower head rails with matching removable hanging seats can be found in our online catalogue in the download area of the respective product.

Item Number

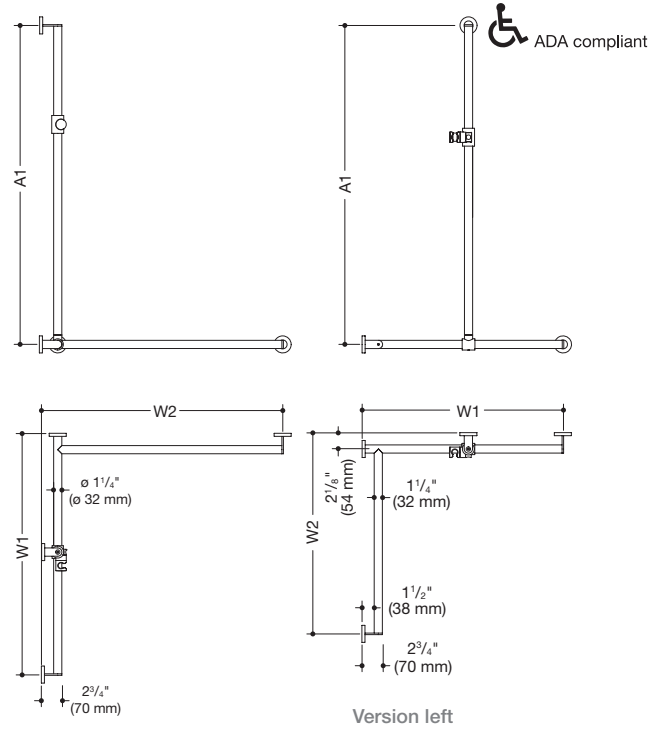
Dimensions in mm / Specification



Version right



Version left



Version left

HEWI Rail with sideways adjustable vertical support bar and shower head holder ø 32 mm, especially for USA

- with shower head rail that can be moved to the side (for installation)
- rails 1 1/4" (32 mm), tube thickness 1/16" (2 mm), roses ø 2 3/4" (70 mm), 2 3/4" (70 mm) deep
- made of high-quality stainless steel, powder-coated in desired colour
- shower head holder made of high-quality matt polyamide in HEWI colours 98 (signal white), 92 (anthracite grey) and 90 (jet black)
- suitable for various manufacturers' shower heads
- shower head holder can be tilted continuously and, after pressing a large pushbutton, its height can be adjusted
- conical adapter on shower head holder facilitates accommodation of handspray
- reduced number of mounting roses due to innovative corner connection
- compensation of angle tolerance in room corner up to +/- 2° possible
- incl. non-corrosive and tested HEWI fixing material for wall mounting
- additional sealing of the drilling points possible with sealing tape (included in delivery)
- upper mounting point (non-visible area) is accessible for easy replacement of shower head holder
- suitable for HEWI hanging seats 900.51..., 950.51..., 801.51..., 802.51..., at a maximum support distance of 850 mm
- loading capacity up to 330 lbs (150 kg)
- fulfils the requirements of the 2010 ADA Standards and ICC/ANSI A117.1-2017

Ordering information: item number, desired colour shade glossy or matt, colour of shower head holder

W1 x W2 in inch (in mm)	Version right	Version left
49 3/16 x 31 1/2 x 31 1/2 (1250 x 800 x 800)	900.35.36060 ZF	900.35.36260 ZF
49 3/16 x 37 5/16 x 25 1/2 (1250 x 947 x 647)	900.35.36160 ZF	900.35.36360 ZF

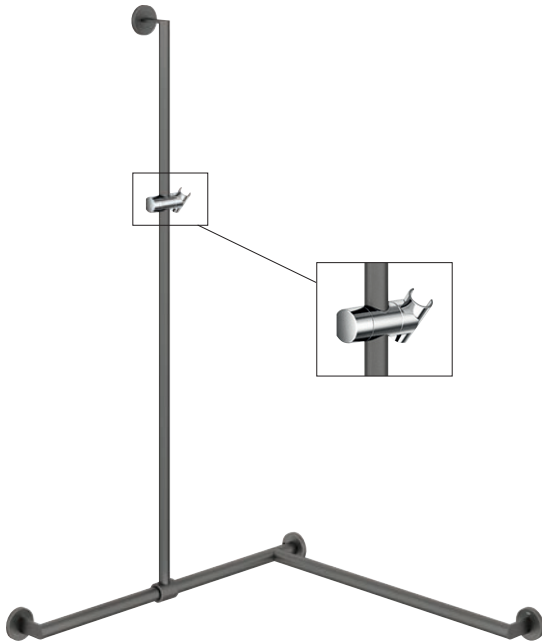
Shower head holder

HEWI Colours

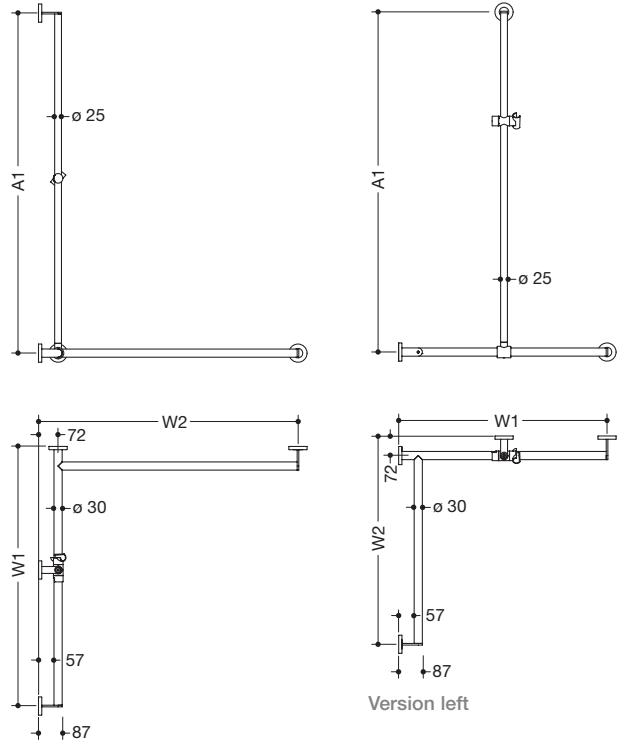
 98 92 90

66771
66779

HEWI Shower head holder for ø 32 mm
HEWI Tight round plate, packing unit 10 pcs.



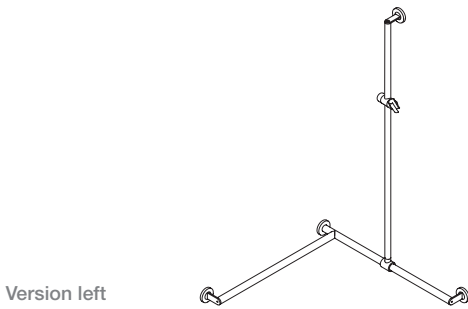
Version right



HEWI Rail with sideways adjustable vertical support bar and shower head holder ø 25 mm

- with shower head rail that can be moved to the side (for installation)
- vertical rail ø 25 mm, horizontal rails ø 30 mm, tube thickness 2 mm, roses ø 70 mm, 87 mm deep
- made of high-quality stainless steel, powder-coated in desired colour
- shower head holder made of synthetic material, chrome-plated
- suitable for various manufacturers' shower heads
- shower head holder can be tilted continuously and, after pressing a large pushbutton, its height can be adjusted
- conical adapter on shower head holder facilitates accommodation of handspray
- reduced number of mounting roses due to innovative corner connection
- compensation of angle tolerance in room corner up to +/- 2° possible
- incl. non-corrosive and tested HEWI fixing material for wall mounting
- additional sealing of the drilling points possible with sealing tape (included in delivery)
- upper mounting point (non-visible area) is accessible for easy replacement of shower head holder
- for HEWI removable hanging seats acc. to table (see online catalogue)

Ordering information: item number, desired colour shade glossy or matt



Version left



Shower head holder

Attention:

From an external dimension of W2 > 965 mm the rail has a centrally positioned, additional wall mounting.
From an external dimension of W1 > 1185 mm, A1 has an additional wall mounting.
Please advise A1, W1 and W2 when ordering.

*fulfils ÖNORM B 1600/1601

A1xW1xW2 (in mm)

	Version right	Version left
1250 x 765 x 765	900.35.33060 ZB	900.35.33360 ZB
1250 x 965 x 965	900.35.33160 ZB*	900.35.33460 ZB*
1250 x 1185 x 765	900.35.33260 ZB	900.35.33560 ZB
1250 x 765 x 965	900.35.33660 ZB*	900.35.33760 ZB*
1250 x 965 x 1185	900.35.33860 ZB	900.35.33960 ZB

HEWI Powder coating | Surfaces

- **Desired colour shade** (RAL Classic, RAL Design plus or Pantone palette (Fashion, Home + Interiors Color Guide Book))
- **Glossy or matt**

Please note when using with removable hanging seats

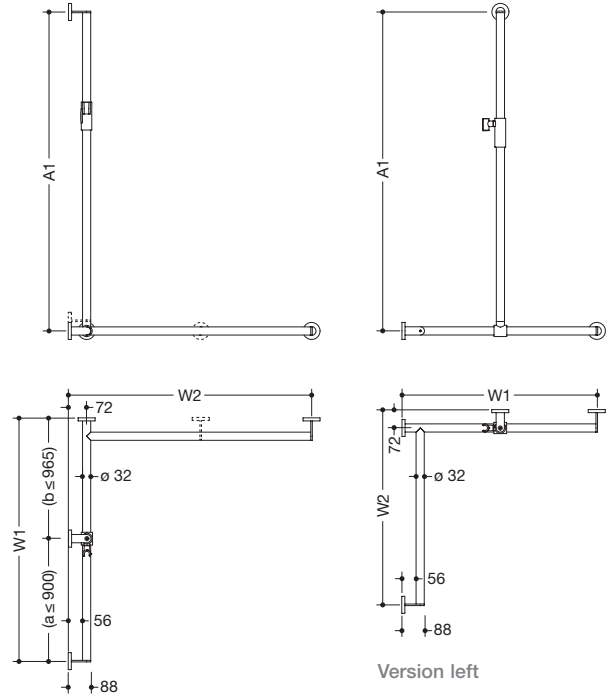
Compatibility check required. A detailed list of the possible combinations of support rails, L-shaped support rails and shower head rails with matching removable hanging seats can be found in our online catalogue in the download area of the respective product.

Item Number

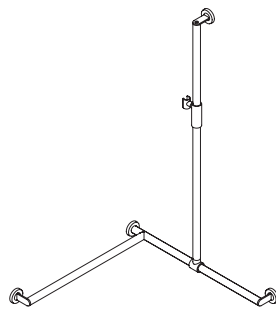
Dimensions in mm / Specification



Version right



Version left



HEWI Rail with sideways adjustable vertical support bar and magnetic shower head holder ø 32 mm

- with shower head rail that can be moved to the side (for installation)
- rails ø 32 mm, tube thickness 2 mm, roses ø 70 mm, 88 mm deep
- made of high-quality stainless steel, powder-coated in desired colour
- with magnetic shower head holder made of high-quality stainless steel, powder-coated in desired colour, optionally with insert made of matt synthetic material in 97 (light grey) or 90 (jet black)
- suitable for various manufacturers' shower heads
- simple and intuitive one-hand operation
- shower head holder infinitely adjustable, automatically fixed in place by magnets
- wear-free clamping mechanism
- conical holder on shower holder can be adjusted to any angle
- reduced number of mounting roses due to innovative corner connection
- compensation of angle tolerance in room corner up to +/- 2° possible
- incl. non-corrosive and tested HEWI fixing material for wall mounting
- additional sealing of the drilling points possible with sealing tape (included in delivery)
- upper mounting point (non-visible area) is accessible for easy replacement of shower head holder
- for HEWI removable hanging seats acc. to table (see online catalogue)

Ordering information: item number, desired colour shade glossy or matt, colour of the synthetic elements

New

A1xW1xW2 (in mm)	Version right	Version left
1250 x 765 x 765	900.35M30060 ZF	900.35M30360 ZF
1250 x 965 x 965	900.35M30160 ZF*	900.35M30460 ZF*
1250 x 1185 x 765	900.35M30260 ZF	900.35M30560 ZF
1250 x 765 x 965	900.35M30660 ZF*	900.35M30760 ZF*
1250 x 965 x 1185	900.35M30860 ZF*	900.35M30960 ZF*

***Attention:**

From an external dimension of W2 > 965 mm the rail has a centrally positioned, additional wall mounting.
From an external dimension of W1 > 1185 mm, A1 has an additional wall mounting.



■ ■ Insert magnetic shower holder

Ordering information (see page 81):

Colour of the synthetic elements

- Predefined selection options (insert of the magnetic shower holder in 97, 90 matt)

HEWI Colours | Surfaces

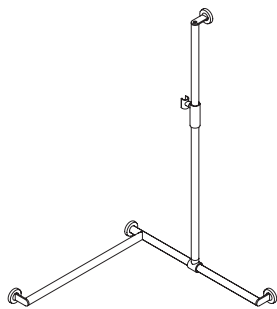
■ ■ ■
97 90 Chr

66779
70899

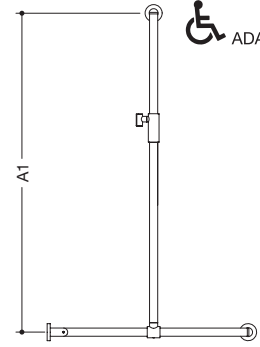
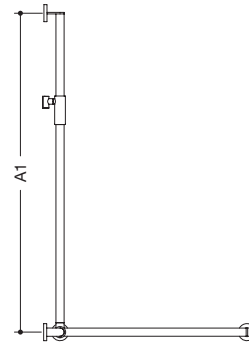
HEWI Tight round plate, packing unit 10 pcs.
HEWI Shower head holder for ø 25 mm



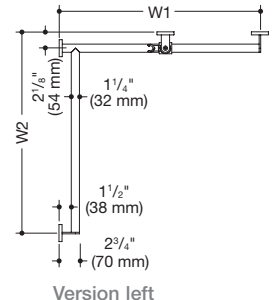
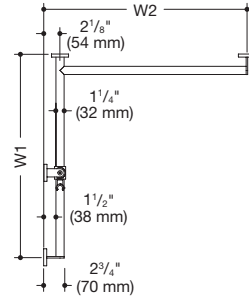
Version right



Version left



ADA compliant



Version left

HEWI Rail with sideways adjustable vertical support bar and magnetic shower head holder ø 32 mm, especially for USA

- with shower head rail that can be moved to the side (for installation)
- rails 1 1/4" (32 mm), tube thickness 1/16" (2 mm), roses ø 2 3/4" (70 mm), 2 3/4" (70 mm) deep
- made of high-quality stainless steel, powder-coated in desired colour
- with magnetic shower head holder made of high-quality stainless steel, powder-coated in desired colour, optionally with insert made of matt synthetic material in 97 (light grey) or 90 (jet black)
- suitable for various manufacturers' shower heads
- simple and intuitive one-hand operation
- shower head holder infinitely adjustable, automatically fixed in place by magnets
- wear-free clamping mechanism
- conical holder on shower holder can be adjusted to any angle
- reduced number of mounting roses due to innovative corner connection
- compensation of angle tolerance in room corner up to +/- 2° possible
- incl. non-corrosive and tested HEWI fixing material for wall mounting
- additional sealing of the drilling points possible with sealing tape (included in delivery)
- upper mounting point (non-visible area) is accessible for easy replacement of shower head holder
- loading capacity up to 330 lbs (150 kg)
- fulfils the requirements of the 2010 ADA Standards and ICC/ANSI A117.1-2017

Ordering information: item number, desired colour shade glossy or matt, colour of the synthetic elements

New

W1 x W2 in inch (in mm)	Version right	Version left
	49 3/16 x 31 1/2 x 31 1/2 (1250 x 800 x 800)	900.35M36060 ZF
49 3/16 x 37 5/16 x 25 1/2 (1250 x 947 x 647)	900.35M36160 ZF	900.35M36360 ZF

Insert magnetic shower holder

Ordering information (see page 81):

Colour of the synthetic elements

- Predefined selection options (insert of the magnetic shower holder in 97, 90 matt)

HEWI Powder coating | Surfaces

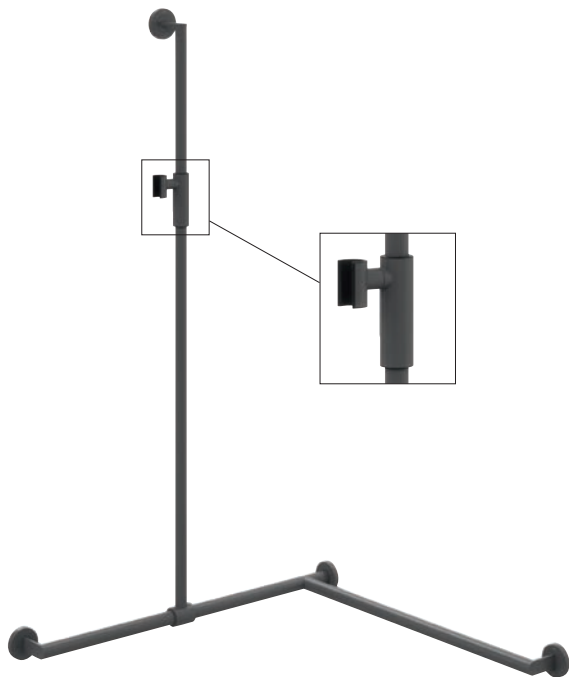
- Desired colour shade** (RAL Classic, RAL Design plus or Pantone palette (Fashion, Home + Interiors Color Guide Book))
- Glossy or matt**

Please note when using with removable hanging seats

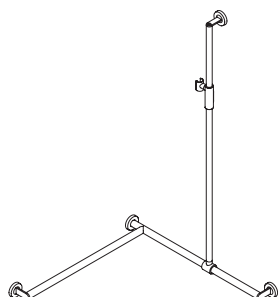
Compatibility check required. A detailed list of the possible combinations of support rails, L-shaped support rails and shower head rails with matching removable hanging seats can be found in our online catalogue in the download area of the respective product.

Item Number

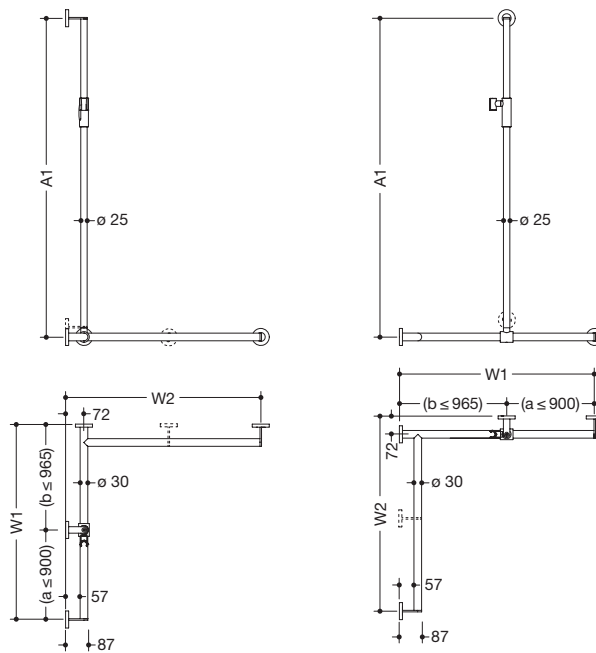
Dimensions in mm / Specification



Version right



Version left



Version left

HEWI Rail with sideways adjustable vertical support bar and magnetic shower head holder \varnothing 25 mm

- with shower head rail that can be moved to the side (for installation)
- vertical rail \varnothing 25 mm, horizontal rails \varnothing 30 mm, tube thickness 1,5 mm, roses \varnothing 70 mm, 87 mm deep
- made of high-quality stainless steel, powder-coated in desired colour
- with magnetic shower head holder made of high-quality stainless steel, powder-coated in desired colour, optionally with insert made of matt synthetic material in 97 (light grey) or 90 (jet black)
- suitable for various manufacturers' shower heads
- simple and intuitive one-hand operation
- shower head holder infinitely adjustable, automatically fixed in place by magnets
- wear-free clamping mechanism
- conical holder on shower holder can be adjusted to any angle
- reduced number of mounting roses due to innovative corner connection
- compensation of angle tolerance in room corner up to $\pm 2^\circ$ possible
- incl. non-corrosive and tested HEWI fixing material for wall mounting
- additional sealing of the drilling points possible with sealing tape (included in delivery)
- upper mounting point (non-visible area) is accessible for easy replacement of shower head holder
- for HEWI removable hanging seats acc. to table (see online catalogue)

Ordering information: item number, desired colour shade glossy or matt, colour of the synthetic elements

New

A1xW1xW2 (in mm)	Version right	Version left
1250 x 765 x 765	900.35M33060 ZF	900.35M33360 ZF
1250 x 965 x 965	900.35M33160 ZF*	900.35M33460 ZF*
1250 x 1185 x 765	900.35M33260 ZF	900.35M33560 ZF
1250 x 765 x 965	900.35M33660 ZF*	900.35M33760 ZF*
1250 x 965 x 1185	900.35M33860 ZF*	900.35M33960 ZF*

***Attention:**

From an external dimension of $W2 > 965$ mm the rail has a centrally positioned, additional wall mounting.
From an external dimension of $W1 > 1185$ mm, $A1$ has an additional wall mounting.



■ Insert magnetic shower holder

Ordering information (see page 81):

Colour of the synthetic elements

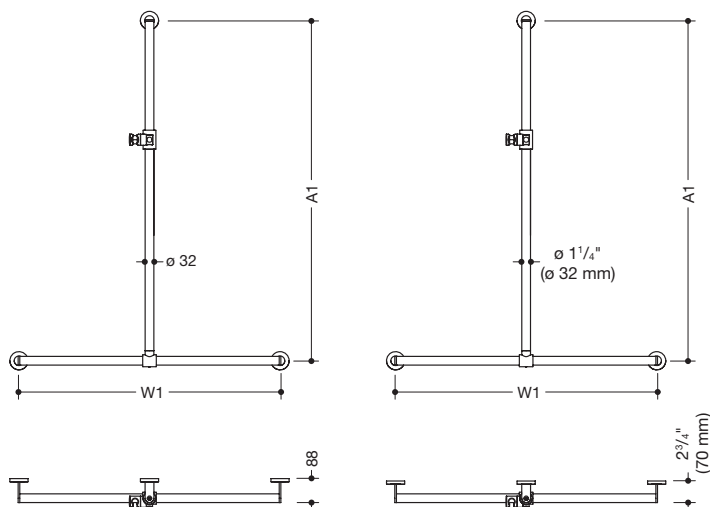
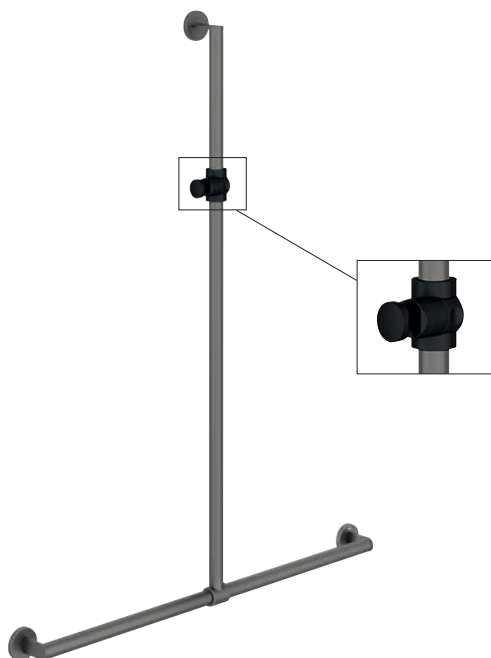
- Predefined selection options (insert of the magnetic shower holder in 97, 90 matt)

HEWI Colours

97 90

66779

HEWI Tight round plate, packing unit 10 pcs.



HEWI Rail with sideways adjustable vertical support bar and shower head holder ø 32 mm

- with shower head rail that can be moved to the side (for installation)
- rails ø 32 mm, tube thickness 2 mm, roses ø 70 mm, 88 mm deep
- made of high-quality stainless steel, powder-coated in desired colour
- shower head holder made of high-quality matt polyamide in HEWI colours 98 (signal white), 92 (anthracite grey) and 90 (jet black)
- suitable for various manufacturers' shower heads
- shower head holder can be tilted continuously and, after pressing a large pushbutton, its height can be adjusted
- conical adapter on shower head holder facilitates accommodation of handspray
- reduced number of mounting roses due to innovative corner connection
- incl. non-corrosive and tested HEWI fixing material for wall mounting
- additional sealing of the drilling points possible with sealing tape (included in delivery)
- upper mounting point (non-visible area) is accessible for easy replacement of shower head holder
- for HEWI removable hanging seats acc. to table (see online catalogue)

- 900.35.40060 ZF
- 900.35.40160 ZF
- 900.35.40260 ZF

- vertical length 1250 mm, horizontal length 765 mm
- vertical length 1250 mm, horizontal length 965 mm
- vertical length 1250 mm, horizontal length 1185 mm

HEWI Rail with sideways adjustable vertical support bar and shower head holder ø 32 mm, especially for USA

- do., rails ø 1 1/4" (32 mm), tube thickness 1/16" (2 mm), roses ø 2 3/4" (70 mm), 2 3/4" (70 mm) deep
- fulfils the requirements of the 2010 ADA Standards and ICC/ANSI A117.1-2017

- 900.35.46060 ZF
- 900.35.46160 ZF
- 900.35.46260 ZF

- vertical length 49 3/16" (1250 mm), horizontal length 18" (457 mm)
- vertical length 49 3/16" (1250 mm), horizontal length 24" (610 mm)
- vertical length 49 3/16" (1250 mm), horizontal length 36" (914 mm)

Ordering information: item number, desired colour shade glossy or matt, colour of the synthetic elements



HEWI Powder coating | Surfaces

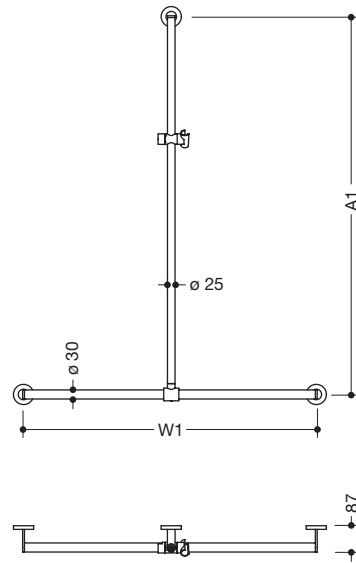
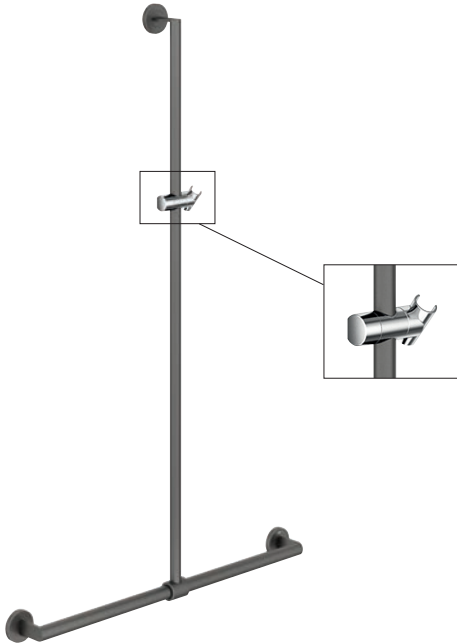
- Desired colour shade (RAL Classic, RAL Design plus or Pantone palette (Fashion, Home + Interiors Color Guide Book))
- Glossy or matt

Please note when using with removable hanging seats

Compatibility check required. A detailed list of the possible combinations of support rails, L-shaped support rails and shower head rails with matching removable hanging seats can be found in our online catalogue in the download area of the respective product.

Item Number

Dimensions in mm / Specification



HEWI Rail with sideways adjustable vertical support bar and shower head holder ø 25 mm

- with shower head rail that can be moved to the side (for installation)
- vertical rail ø 25 mm, horizontal rail ø 30 mm, tube thickness 2 mm, roses ø 70 mm, 87 mm deep
- made of high-quality stainless steel, powder-coated in desired colour
- shower head holder made of synthetic material, chrome-plated
- suitable for various manufacturers' shower heads
- shower head holder can be tilted continuously and, after pressing a large pushbutton, its height can be adjusted
- conical adapter on shower head holder facilitates accommodation of handspray
- reduced number of mounting roses due to innovative corner connection
- incl. non-corrosive and tested HEWI fixing material for wall mounting
- additional sealing of the drilling points possible with sealing tape (included in delivery)
- upper mounting point (non-visible area) is accessible for easy replacement of shower head holder
- for HEWI removable hanging seats acc. to table (see online catalogue).

900.35.43060 ZB
900.35.43160 ZB
900.35.43260 ZB

- vertical length 1250 mm, horizontal length 765 mm
- vertical length 1250 mm, horizontal length 965 mm
- vertical length 1250 mm, horizontal length 1185 mm

Ordering information: item number, desired colour shade glossy or matt



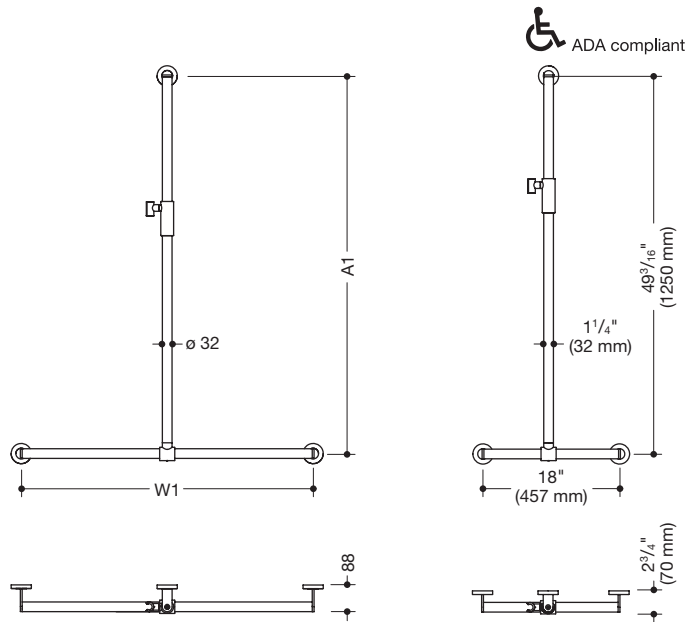
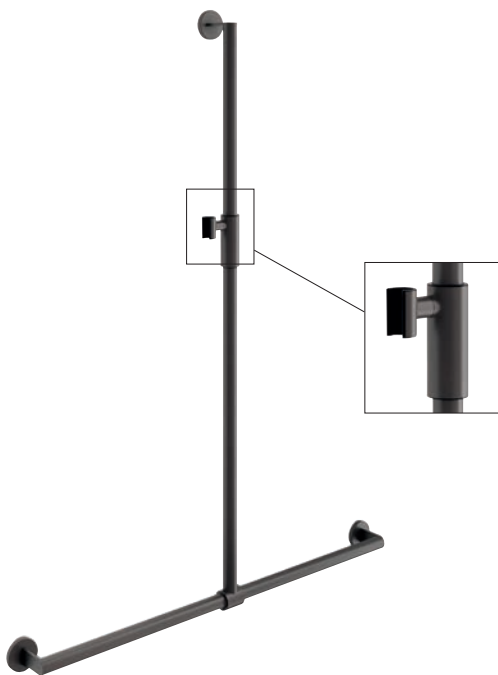
Shower head holder

HEWI Colours | Surfaces

98 92 90 Chr

66771
70899
66779

HEWI Shower head holder for ø 32 mm
HEWI Shower head holder for ø 25 mm
HEWI Tight round plate, packing unit 10 pcs.



HEWI Rail with sideways adjustable vertical support bar and magnetic shower head holder ø 32 mm

- with shower head rail that can be moved to the side (for installation)
- rails ø 32 mm, tube thickness 2 mm, roses ø 70 mm, 88 mm deep
- made of high-quality stainless steel, powder-coated in desired colour
- with magnetic shower head holder made of high-quality stainless steel, powder-coated in desired colour, optionally with insert made of matt synthetic material in 97 (light grey) or 90 (jet black)
- suitable for various manufacturers' shower heads
- simple and intuitive one-hand operation
- shower head holder infinitely adjustable, automatically fixed in place by magnets, wear-free clamping mechanism
- conical holder on shower holder can be adjusted to any angle
- reduced number of mounting roses due to innovative corner connection
- incl. non-corrosive and tested HEWI fixing material for wall mounting
- additional sealing of the drilling points possible with sealing tape (included in delivery)
- upper mounting point (non-visible area) is accessible for easy replacement of shower head holder
- for HEWI removable hanging seats acc. to table (see online catalogue)

- New** 900.35.40060 ZF
- New** 900.35.40160 ZF
- New** 900.35.40260 ZF

- vertical length 1250 mm, horizontal length 765 mm
- vertical length 1250 mm, horizontal length 965 mm
- vertical length 1250 mm, horizontal length 1185 mm

HEWI Rail with sideways adjustable vertical support bar and magnetic shower head holder ø 32 mm, especially for USA

- do., rails ø 1 1/4" (32 mm), tube thickness 1/16" (2 mm), roses ø 2 3/4" (70 mm), 2 3/4" (70 mm) deep
- fulfils the requirements of the 2010 ADA Standards and ICC/ANSI A117.1-2017

- New** 900.35M46060 ZF
- New** 900.35M46160 ZF
- New** 900.35M46260 ZF

- vertical length 49 3/16" (1250 mm), horizontal length 18" (457 mm)
- vertical length 49 3/16" (1250 mm), horizontal length 24" (610 mm)
- vertical length 49 3/16" (1250 mm), horizontal length 36" (914 mm)

  Insert magnetic shower holder

HEWI Powder coating | Surfaces

 **Desired colour shade** (RAL Classic, RAL Design plus or Pantone palette (Fashion, Home + Interiors Color Guide Book))
Glossy or matt

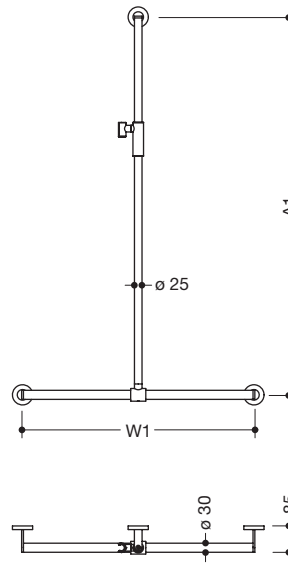
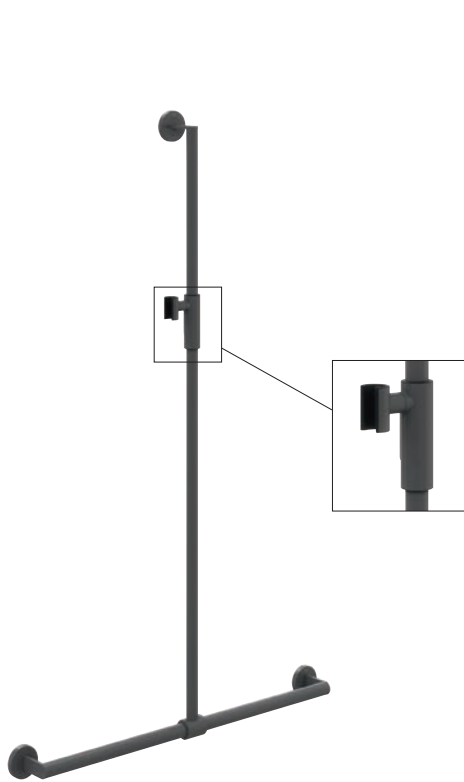
Ordering information: item number, desired colour shade glossy or matt, colour of the synthetic elements

Please note when using with removable hanging seats

Compatibility check required. A detailed list of the possible combinations of support rails, L-shaped support rails and shower head rails with matching removable hanging seats can be found in our online catalogue in the download area of the respective product.

Item Number

Dimensions in mm / Specification



HEWI Rail with sideways adjustable vertical support bar and magnetic shower head holder \varnothing 25 mm

- with shower head rail that can be moved to the side (for installation)
- vertical rail \varnothing 25 mm, horizontal rail \varnothing 30 mm, tube thickness 1,5 mm, roses \varnothing 70 mm, 85 mm deep
- made of high-quality stainless steel, powder-coated in desired colour
- with magnetic shower head holder made of high-quality stainless steel, powder-coated in desired colour, optionally with insert made of matt synthetic material in 97 (light grey) or 90 (jet black)
- suitable for various manufacturers' shower heads
- simple and intuitive one-hand operation
- shower head holder infinitely adjustable, automatically fixed in place by magnets
- wear-free clamping mechanism
- conical holder on shower holder can be adjusted to any angle
- reduced number of mounting roses due to innovative corner connection
- incl. non-corrosive and tested HEWI fixing material for wall mounting
- additional sealing of the drilling points possible with sealing tape (included in delivery)
- upper mounting point (non-visible area) is accessible for easy replacement of shower head holder
- for HEWI removable hanging seats acc. to table (see online catalogue)

Ordering information: item number, desired colour shade glossy or matt, colour of the synthetic elements

- vertical length 1250 mm, horizontal length 765 mm
- vertical length 1250 mm, horizontal length 965 mm
- vertical length 1250 mm, horizontal length 1185 mm

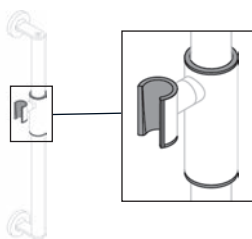
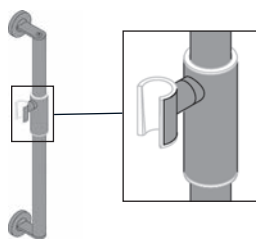


■ Insert magnetic shower holder

New 900.35M43060 ZF

New 900.35M43160 ZF

New 900.35M43260 ZF



Ordering information:

Powder coating

- Specification of the colour value: RAL Classic, RAL Design plus or Pantone-Palette (Fashion, Home + Interiors Color Guide Book)
- Surface: glossy or matt

Colour of the synthetic elements

- Predefined selection options (insert of the magnetic shower holder in 97, 90 matt)

HEWI Colours

■ ■
97 90

66779

HEWI Tight round plate, packing unit 10 pcs.

Special colours

System 900 | System 162 | Sit

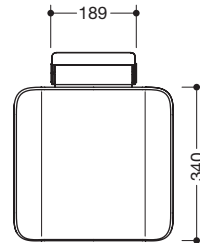
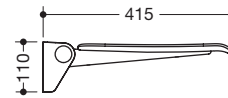
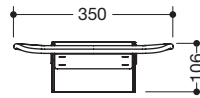
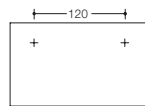




Item Number

Dimensions in mm / Specification

Drill hole



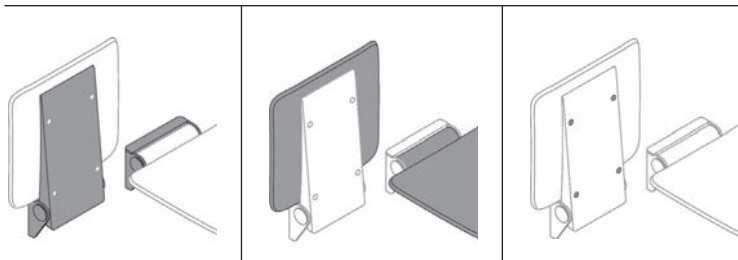
900.51.20060 ZF

HEWI Hinged seat

- slip-resistant, textured seat made of synthetic material in HEWI colours 98 (signal white), 92 (anthracite grey) and 90 (jet black)
- seat can be folded up to save space
- wall bracket made of stainless steel, powder-coated in desired colour
- reinforcement of the seat made of aluminum, powder-coated in desired colour, loading capacity 150 kg
- cover cap under the seat made of matt synthetic material in HEWI colours 98 (signal white), 92 (anthracite grey) and 90 (jet black)
- seat depth when folded up 77 mm
- aluminum seat bracket ensures stability and safety
- moulded seat defines the sitting position (lightly curved shape provides pleasant support)
- seat made of thermoplastic synthetic material (polypropylene) enables an extremely resistant, hygienic surface and particularly soft seat comfort
- maintenance free, permanently smooth and easy moving joint
- 350 mm wide, 415 mm deep and 110 mm high
- seat: 350 mm wide and 340 mm deep
- for mounting with corrosion-free and tested HEWI fixing material for different wall constructions (to be ordered separately)
- additional sealing of the drilling points possible with sealing tape (included in the scope of delivery)

Ordering information: item number, desired colour shade glossy or matt, seat colour, colour of the synthetic components

- Wall bracket
- ■ Seat, caps



Ordering information:

Powder coating

- Specification of the colour value: RAL Classic, RAL Design plus or Pantone palette (Fashion, Home + Interiors Color Guide Book)
- Surface: glossy or matt

Colour of the synthetic elements

- Predefined selection options (seat in 98, 92, 90 matt)

Colour of the synthetic components

- Predefined selection options (caps in 98, 92, 90 matt)

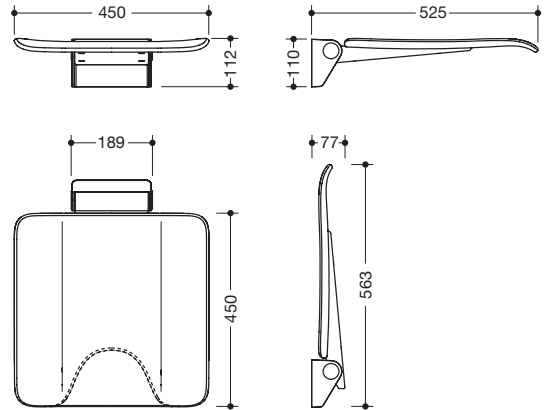
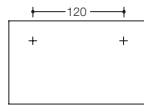
HEWI Powder coating | Surfaces

- **Desired colour shade** (RAL Classic, RAL Design plus or Pantone palette (Fashion, Home + Interiors Color Guide Book))
- Glossy or matt**

Item Number

Dimensions in mm / Specification

Drill hole



900.51.20260 ZF

HEWI Hinged seat

- slip-resistant, textured seat made of synthetic material in HEWI colours 98 (signal white), 92 (anthracite grey) and 90 (jet black)
- seat can be folded up to save space
- wall bracket made of stainless steel, powder-coated in desired colour
- reinforcement of the seat made of aluminum, powder-coated in desired colour, loading capacity 150 kg
- cover cap under the seat made of matt synthetic material in HEWI colours 98 (signal white), 92 (anthracite grey) and 90 (jet black)
- seat depth when folded up 77 mm
- aluminum seat bracket ensures stability and safety
- moulded seat defines the sitting position (lightly curved shape provides pleasant support)
- seat made of thermoplastic synthetic material (polypropylene) enables an extremely resistant, hygienic surface and particularly soft seat comfort
- maintenance free, permanently smooth and easy moving joint
- 450 mm wide, 525 mm deep and 112 mm high
- seat: 450 mm wide and 450 mm deep
- for mounting with corrosion-free and tested HEWI fixing material for different wall constructions (to be ordered separately)
- additional sealing of the drilling points possible with sealing tape (included in the scope of delivery)
- fulfils the requirements according to DIN 18040, ÖNORM B1600/1601 and SIA 500



900.51.20460 ZF

HEWI Hinged seat

- do., seat with hygiene cutout

Ordering information: item number, desired colour shade glossy or matt, seat colour, colour of the synthetic components

- Wall bracket
- Seat, caps

Fixing material for hinged seats to be ordered separately

for fixing on walls made of:

- BM17.2**
- BM10.2**
- BM11.2**
- BM12.2**
- BM13.2**
- BM18.2**

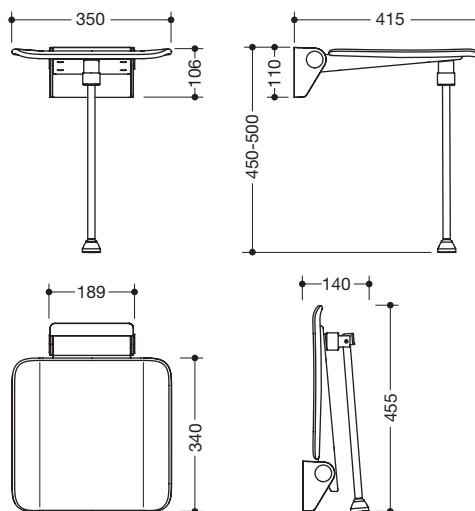
- concrete > C20/C25, national technical approval number: ETA-11/0493
- concrete > C20/C25
- autoclaved aerated concrete (> P2)
- lightweight walls with rear lining made of laminated timber boards ...
- lightweight walls with integrated steel plates ...
- hollow concrete block, vertically perforated bricks, solid bricks, ..., national technical approval number: ETA-13/1036

HEWI Colours

- 98
- 92
- 90



900.51.20160 ZF

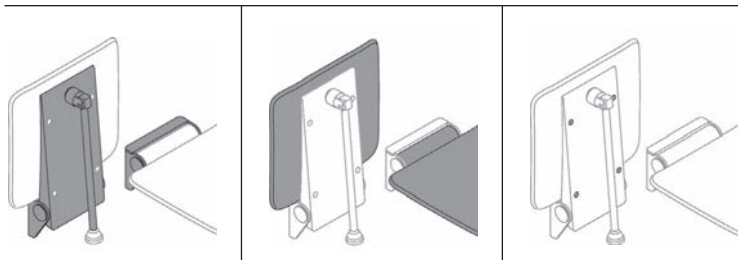


- Wall bracket, floor support
- Seat, caps
- Floor buffer

HEWI Hinged seat with floor support

- slip-resistant, textured seat made of synthetic material in HEWI colours 98 (signal white), 92 (anthracite grey) and 90 (jet black)
- reinforcement of the seat made of aluminum, powder-coated in desired colour
- wall bracket and floor support made of stainless steel, powder-coated in desired colour
- cover cap under the seat made of matt synthetic material in HEWI colours 98 (signal white), 92 (anthracite grey) and 90 (jet black)
- seat can be folded up to save space
- seat depth when folded up 77 mm
- loading capacity 150 kg
- with floor support for seat height 450 - 500 mm, powder-coated in desired colour
- 350 mm wide, 415 mm deep and 110 mm high
- seat: 350 mm wide and 340 mm deep
- for mounting with corrosion-free and tested HEWI fixing material for different wall constructions (to be ordered separately)
- sealing tape for sealing the fixing points included in delivery

Ordering information: item number, desired colour shade glossy or matt, seat colour, colour of the synthetic components



Ordering information:

Powder coating

- Specification of the colour value: RAL Classic, RAL Design plus or Pantone palette (Fashion, Home + Interiors Color Guide Book)
- Surface: glossy or matt

Colour of the synthetic elements

- Predefined selection options (seat in 98, 92, 90 matt)

Colour of the synthetic components

- Predefined selection options (caps in 98, 92, 90 matt)

HEWI Powder coating | Surfaces

- Desired colour shade** (RAL Classic, RAL Design plus or Pantone palette (Fashion, Home + Interiors Color Guide Book))
- Glossy or matt**

Item Number




Dimensions in mm / Specification

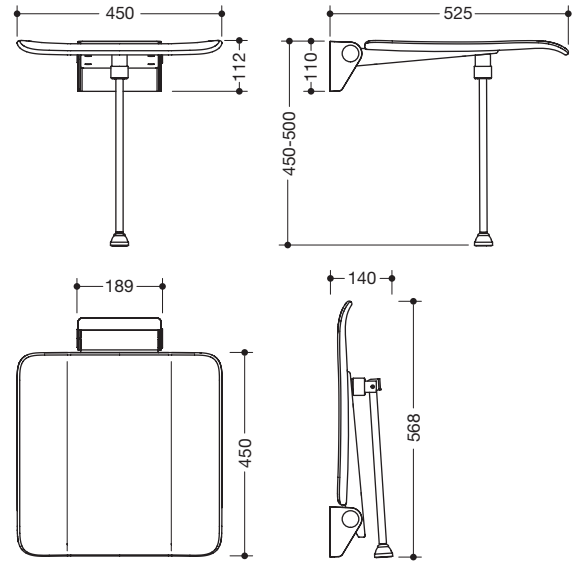


900.51.20560 ZF



900.51.21460 ZF

-  Wall bracket, floor support
-  Seat, caps
-  Floor buffer



HEWI Hinged seat with floor support

- slip-resistant, textured seat made of synthetic material in HEWI colours 98 (signal white), 92 (anthracite grey) and 90 (jet black)
- reinforcement of the seat made of aluminum, powder-coated in desired colour
- wall bracket and floor support made of stainless steel, powder-coated in desired colour
- cover cap under the seat made of matt synthetic material in HEWI colours 98 (signal white), 92 (anthracite grey) and 90 (jet black)
- seat can be folded up to save space
- seat depth when folded up 77 mm
- loading capacity 150 kg
- with floor support for seat height 450 - 500 mm, powder-coated in desired colour
- 450 mm wide, 525 mm deep and 112 mm high
- seat: 450 mm wide and 450 mm deep
- for mounting with corrosion-free and tested HEWI fixing material for different wall constructions (to be ordered separately)
- sealing tape for sealing the fixing points included in delivery
- fulfils the requirements according to DIN 18040, ÖNORM B1600/1601 and SIA 500

HEWI Hinged seat

- do., seat with hygiene cutout

Ordering information: item number, desired colour shade glossy or matt, seat colour, colour of the synthetic components

- BM17.2**
- BM10.2**
- BM11.2**
- BM12.2**
- BM13.2**
- BM18.2**

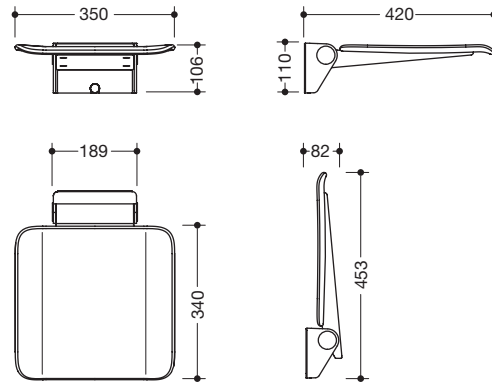
Fixing material for hinged seats to be ordered separately

for fixing on walls made of:

- concrete > C20/C25, national technical approval number: ETA-11/0493
- concrete > C20/C25
- autoclaved aerated concrete (> P2)
- lightweight walls with rear lining made of laminated timber boards ...
- lightweight walls with integrated steel plates ...
- hollow concrete block, vertically perforated bricks, solid bricks,...., national technical approval number: ETA-13/1036

HEWI Colours

-  98
-  92
-  90



900.51.40060 ZF

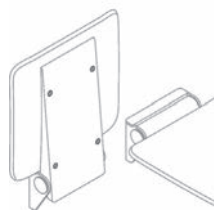
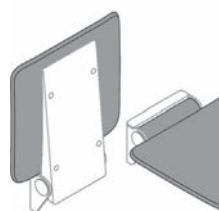
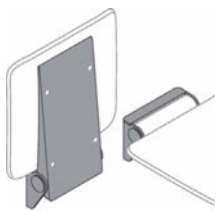


HEWI Mobile hinged seat

- slip-resistant, textured seat made of synthetic material in HEWI colours 98 (signal white), 92 (anthracite grey) and 90 (jet black)
- reinforcement of the seat made of aluminum, powder-coated in desired colour
- wall bracket made of stainless steel, powder-coated in desired colour
- cover cap under the seat made of matt synthetic material in HEWI colours 98 (signal white), 92 (anthracite grey) and 90 (jet black)
- seat can be folded up to save space
- seat depth when folded up 82 mm
- loading capacity 150 kg
- aluminum seat bracket ensures stability and safety
- moulded seat defines the sitting position (lightly curved shape provides pleasant support)
- seat made of thermoplastic synthetic material (polypropylene) enables an extremely resistant, hygienic surface and particularly soft seat comfort
- for mobile use
- maintenance free, permanently smooth and easy moving joint
- for easy and flexible retrofitting on pre-assembled HEWI mounting plate: 900.51.00160 (separat zu bestellen)
- tool-free and quick installation by means of simple hanging of the seat
- secured by fixing screw
- 350 mm wide, 110 mm high and 420 mm deep (incl. mounting plate)
- seat: 350 mm wide and 340 mm deep
- for mounting with corrosion-free and tested HEWI fixing material for different wall constructions (to be ordered separately)
- sealing tape for sealing the fixing points possible (supplied with mounting plate)

- ▣ Wall bracket
- ▣ ■ ■ Seat, caps

Ordering information: item number, desired colour shade glossy or matt, seat colour, colour of the synthetic components



Ordering information:

Powder coating

- Specification of the colour value: RAL Classic, RAL Design plus or Pantone palette (Fashion, Home + Interiors Color Guide Book)
- Surface: glossy or matt

Colour of the synthetic elements

- Predefined selection options (seat in 98, 92, 90 matt)

Colour of the synthetic components

- Predefined selection options (caps in 98, 92, 90 matt)

HEWI Powder coating | Surfaces

900.51.00160

HEWI Mounting plate see right

- ▣ **Desired colour shade** (RAL Classic, RAL Design plus or Pantone palette (Fashion, Home + Interiors Color Guide Book))
- Glossy or matt**

Item Number


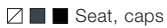
Dimensions in mm / Specification

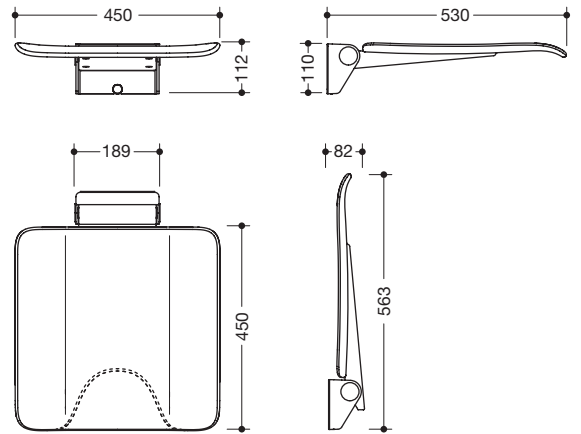


900.51.40160 ZF



900.51.40460 ZF

 Wall bracket
 Seat, caps



HEWI Mobile hinged seat

- do.,
- 450 mm wide, 112 mm high and 530 mm deep (incl. mounting plate)
- seat: 450 mm wide and 450 mm deep
- fulfils the requirements acc. to DIN 18040, ÖNORM B1600/1601 and SIA 500

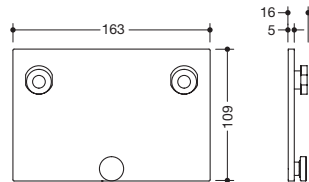
HEWI Hinged seat

- do., seat with hygiene cutout

Ordering information: item number, desired colour shade glossy or matt, seat colour, colour of the synthetic components



900.51.00160 ZB



HEWI Mounting plate

- rectangular mounting plate with fastening screw
- to hold and fix the mobile hinged seats 950.51.4...
- 163 mm wide, 109 mm high, 16 mm deep
- made of stainless steel, powder-coated in desired colour
- for mounting with non-corrosive and tested HEWI fixing materials for different wall systems (to be ordered separately)
- sealing tape for sealing the fixing points is included in the scope of supply

Ordering information: item number, desired colour shade glossy or matt

Fixing material for hinged seats to be ordered separately

for fixing on walls made of:

BM17.2

concrete > C20/C25, national technical approval number: ETA-11/0493

BM10.2

concrete > C20/C25

BM11.2

autoclaved aerated concrete (> P2)

BM12.2

lightweight walls with rear lining made of laminated timber boards ...

BM13.2

lightweight walls with integrated steel plates ...

BM18.2

hollow concrete block, vertically perforated bricks, solid bricks, ..., national technical approval number: ETA-13/1036

HEWI Colours


 98 92 90

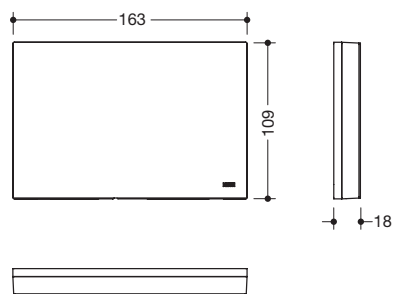
Item Number

Dimensions in mm / Specification



900.51.00360 ZF

 Mounting plate, face plate
 Frame



HEWI Mounting plate with cover



- 163 mm wide, 109 mm high, 18 mm deep
- mounting plate and face plate of the cover made of high-quality stainless steel, powder-coated in desired colour
- cover frame made of high-quality glossy or matt polyamide in HEWI colours 98 (signal white), 92 (anthracite grey) or 90 (jet black)
- for wall-mounting with non-corrosive and tested HEWI fixing material for different wall constructions (to be ordered separately)
- incl. sealing tape for sealing the fixing points

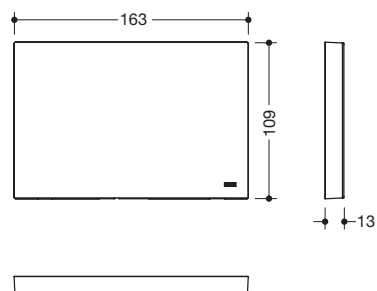
Ordering information: item number, desired colour shade glossy or matt, colour of the synthetic elements glossy or matt

HEWI Fixing material BM10.2 to BM18.2 to be ordered separately



900.51.00260 ZF

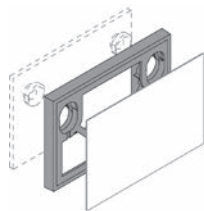
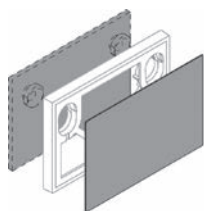
 Face plate
 Frame



HEWI Cover for mounting plate

- for cover of the mounting plate by simple replacement
- 163 mm wide, 109 mm high, 13 mm deep
- face plate made of high-quality stainless steel, powder-coated in desired colour
- cover frame made of high-quality glossy or matt polyamide in HEWI colours 98 (signal white), 92 (anthracite grey) or 90 (jet black)

Ordering information: item number, desired colour shade glossy or matt, colour of the synthetic elements glossy or matt



Ordering information:

Powder coating

- Specification of the colour value: RAL Classic, RAL Design plus or Pantone palette (Fashion, Home + Interiors Color Guide Book)
- Surface: glossy or matt

Colour of the synthetic elements

- Predefined selection options (face plate of the cover in 98, 92, 90 glossy or matt)

HEWI Powder coating | Surfaces

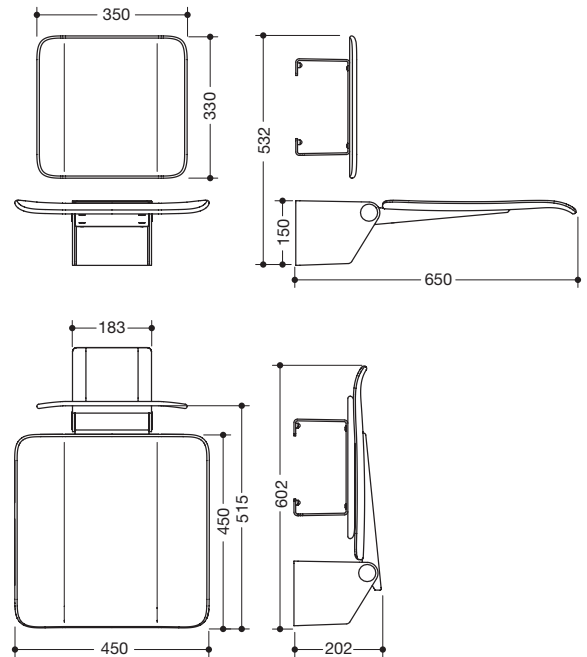
-  **Desired colour shade** (RAL Classic, RAL Design plus or Pantone palette (Fashion, Home + Interiors Color Guide Book))
- Glossy or matt**

Item Number

Dimensions in mm / Specification



900.51.20360 ZF

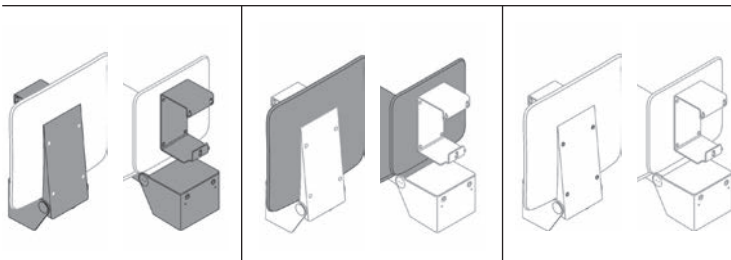


HEWI Hinged seat especially for UK

- slip-resistant, textured seat made of synthetic material in HEWI colours 98 (signal white), 92 (anthracite grey) and 90 (jet black)
- reinforcement of the seat made of aluminum, powder-coated in desired colour
- wall bracket made of stainless steel, powder-coated in desired colour
- seat can be folded up to save space
- backrest with structured back made synthetic material in HEWI colours 98 (signal white), 92 (anthracite grey) and 90 (jet black)
- wall connection made of aluminum, powder-coated in desired colour
- loading capacity 150 kg
- 450 mm wide, 650 mm deep and 532 mm high
- seat: 450 mm wide and 450 mm deep
- for mounting with non-corrosive and tested HEWI fixing material
- including backrest fixing material
- fixing material for different wall systems (to be ordered separately)
- fulfils the requirements to British-Standard BS 8300:2009+A1:2010/ Doc M

Ordering information: item number, desired colour shade glossy or matt, colour of the seat/backrest, colour of the synthetic components

- Wall bracket
- Seat, backrest, caps



Ordering information:

Powder coating

- Specification of the colour value: RAL Classic, RAL Design plus or Pantone palette (Fashion, Home + Interiors Color Guide Book)
- Surface: glossy or matt

Colour of the synthetic elements

- Predefined selection options (seat, backrest in 98, 92, 90 matt)

Colour of the synthetic components

- Predefined selection options (caps in 98, 92, 90 matt)

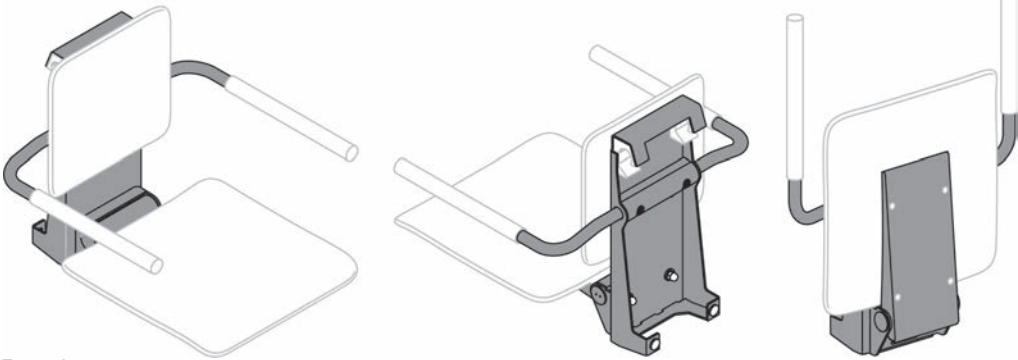
HEWI Colours

- 98
- 92
- 90

Special colours
Removable hanging seats



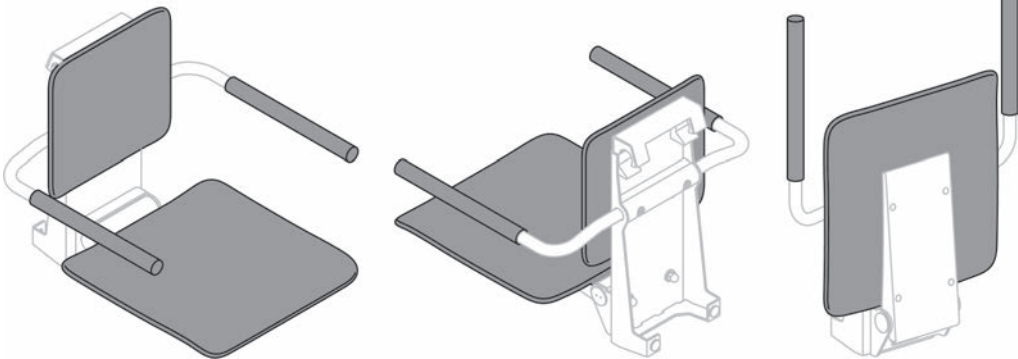
ORDERING INFORMATION FOR REMOVABLE HANGING SEATS



Example

Powder coating

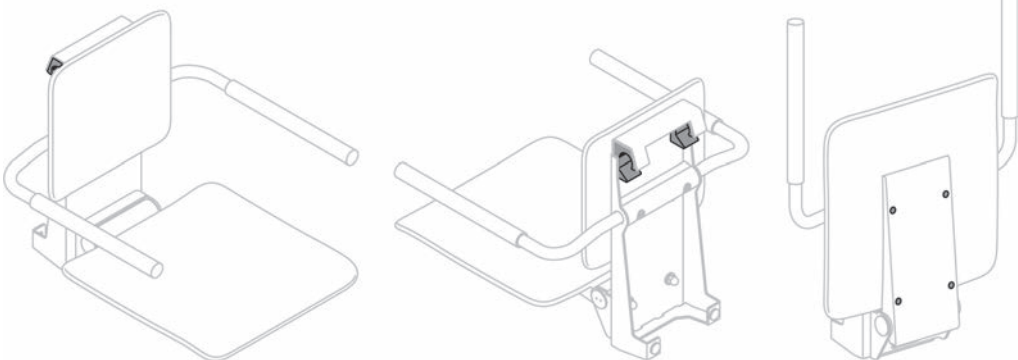
- **Specification of the colour value:** RAL Classic, RAL Design plus, Pantone palette (Fashion, Home + Interiors Color Guide Book) or the four HEWI favourite colours
- **Surface:** glossy or matt

Example

Colour of the synthetic elements

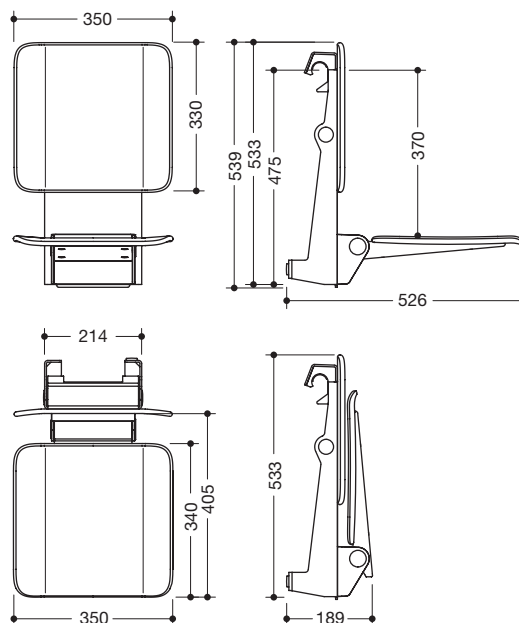
- Predefined selection options:
- **Seat surface, backrest and armrests (if applicable)** in the matt HEWI colours 98 (signal white), 92 (anthracite grey) and 90 (jet black)

Example

Colour of the synthetic components

- Predefined selection options:
- **Applications and caps** in the matt HEWI colours 98 (signal white), 92 (anthracite grey) and 90 (jet black)



900.51.10060 ZF

HEWI Hanging seat

- for hanging in HEWI shower grab rails and support rails \varnothing 30, 32 and 33 mm
- reinforcement of seat and suspension device made of aluminium, powder-coated in desired colour
- slip-resistant, textured seat and backrest made of synthetic material in HEWI colours 98 (signal white), 92 (anthracite grey) and 90 (jet black)
- seat can be folded up to save space
- aluminum seat bracket ensures stability and safety
- moulded seat defines the sitting position (lightly curved shape provides pleasant support)
- seat made of thermoplastic synthetic material (polypropylene) enables an extremely resistant, hygienic surface and particularly soft seat comfort
- maintenance free, permanently smooth and easy moving joint
- loading capacity 150 kg
- 350 mm wide, 526 mm deep and 539 mm high
- seat: 350 mm wide and 340 mm deep
- product weight: 8,0 kg

Ordering information (details see page 103):

item number, desired colour shade glossy or matt, colour of the seat/backrest, colour of the synthetic components

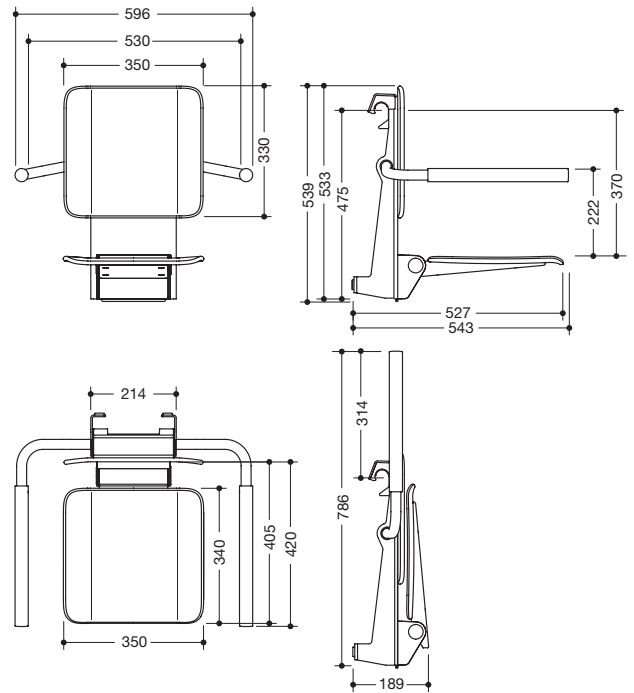
- Hanging device
- Seat, backrest, applications, caps

HEWI Powder coating | Surfaces

- Desired colour shade** (RAL Classic, RAL Design plus or Pantone palette (Fashion, Home + Interiors Color Guide Book))
- Glossy or matt**

Item Number

Dimensions in mm / Specification



900.51.10160 ZF

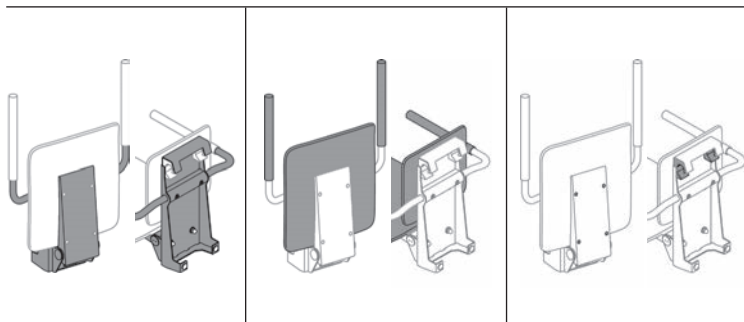
HEWI Hanging seat

- for hanging in HEWI shower grab rails and support rails \varnothing 30, 32 and 33 mm
- reinforcement of seat and suspension device made of aluminium, powder-coated in desired colour
- slip-resistant, textured seat and backrest made of synthetic material in HEWI colours 98 (signal white), 92 (anthracite grey) and 90 (jet black)
- seat can be folded up to save space
- aluminum seat bracket ensures stability and safety
- moulded seat defines the sitting position (lightly curved shape provides pleasant support)
- seat made of thermoplastic synthetic material (polypropylene) enables an extremely resistant, hygienic surface and particularly soft seat comfort
- arm rests made of high-quality matt polyamide in seat colour
- arm rests can be folded up and down separately
- maintenance free, permanently smooth and easy moving joint
- seat weight capacity up to 150 kg
- 596 mm wide, 539 mm high and 543 mm deep
- seat: 350 mm wide and 340 mm deep
- product weight: 11,9 kg

Ordering information (details see page 103):

item number, desired colour shade glossy or matt, colour of the seat/backrest/arm rests, colour of the synthetic components

- Hanging device
- Seat, backrest, arm rests, applications, caps



Ordering information (see page 103):

Powder coating

- Specification of the colour value: RAL Classic, RAL Design plus or Pantone palette (Fashion, Home + Interiors Color Guide Book)
- Surface: glossy or matt

Colour of the synthetic elements

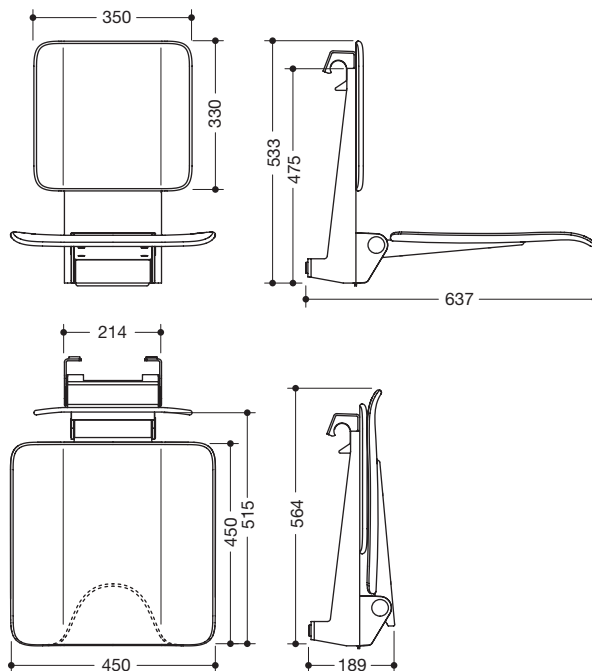
- Predefined selection options (seat, backrest and arm rests in 98, 92, 90 matt)

Colour of the synthetic components

- Predefined selection options (applications and caps in 98, 92, 90 matt)

HEWI Colours

- 98
- 92
- 90



900.51.10260 ZF

HEWI Hanging seat

- for hanging in HEWI shower grab rails and support rails \varnothing 30, 32 and 33 mm
- slip-resistant, textured seat and backrest made of synthetic material in HEWI colours 98 (signal white), 92 (anthracite grey) and 90 (jet black)
- reinforcement of seat and suspension device made of aluminium, powder-coated in desired colour
- seat can be folded up to save space
- aluminum seat bracket ensures stability and safety
- moulded seat defines the sitting position (lightly curved shape provides pleasant support)
- seat made of thermoplastic synthetic material (polypropylene) enables an extremely resistant, hygienic surface and particularly soft seat comfort
- maintenance free, permanently smooth and easy moving joint
- loading capacity 150 kg
- 450 mm wide, 637 mm deep and 533 mm high
- seat: 450 mm wide and 450 mm deep
- product weight: 8,8 kg
- fulfils the requirements according to DIN 18040 and ÖNORM B1600/1601



900.51.10460 ZF

with hygiene cutout

Ordering information (details see page 103):

item number, desired colour shade glossy or matt, colour of the seat/backrest, colour of the synthetic components

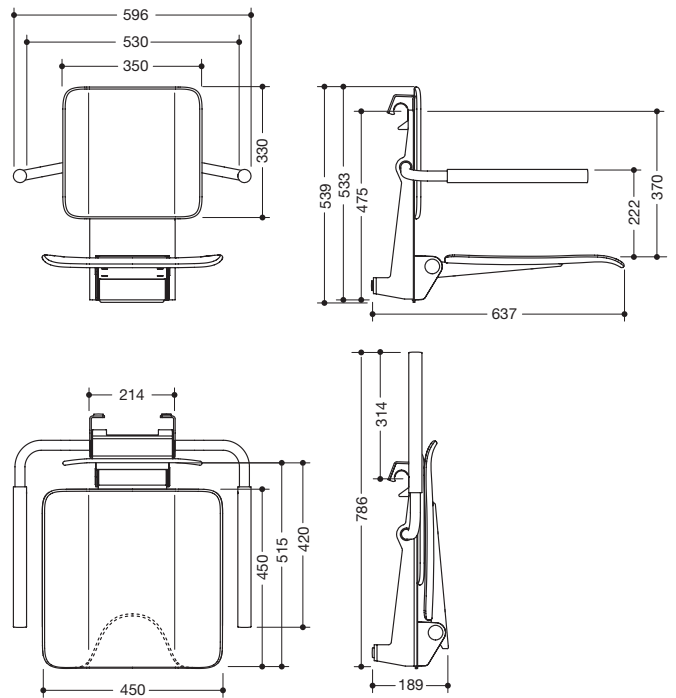
- Hanging device
- Seat, backrest, applications, caps

HEWI Powder coating | Surfaces

- Desired colour shade** (RAL Classic, RAL Design plus or Pantone palette (Fashion, Home + Interiors Color Guide Book))
- Glossy or matt**

Item Number

Dimensions in mm / Specification



900.51.10360 ZF

HEWI Hanging seat



- for hanging in HEWI shower grab rails and support rails \varnothing 30, 32 and 33 mm
- slip-resistant, textured seat and backrest made of synthetic material in HEWI colours 98 (signal white), 92 (anthracite grey) and 90 (jet black)
- reinforcement of seat and suspension device made of aluminium, powder-coated in desired colour
- seat can be folded up to save space
- aluminum seat bracket ensures stability and safety
- moulded seat defines the sitting position (lightly curved shape provides pleasant support)
- seat made of thermoplastic synthetic material (polypropylene) enables an extremely resistant, hygienic surface and particularly soft seat comfort
- arm rests made of high-quality matt polyamide in seat colour
- arm rests can be folded up and down separately
- maintenance free, permanently smooth and easy moving joint
- seat weight capacity up to 150 kg, product weight: 12,7 kg
- 596 mm wide, 539 mm high and 637 mm deep
- seat: 450 mm wide and 450 mm deep
- fulfils the requirements according to DIN 18040 and ÖNORM B 1600/1601

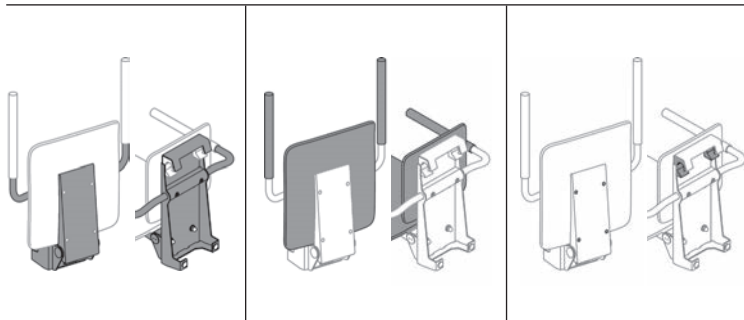


900.51.10560 ZF

with hygiene cutout

Ordering information (details see page 103):
item number, desired colour shade glossy or matt, colour of the seat/backrest/arm rests, colour of the synthetic components

-  Hanging device
-  Seat, backrest, arm rests, applications, caps



Ordering information (see page 103):

Powder coating

- Specification of the colour value: RAL Classic, RAL Design plus or Pantone palette (Fashion, Home + Interiors Color Guide Book)
- Surface: glossy or matt

Colour of the synthetic elements

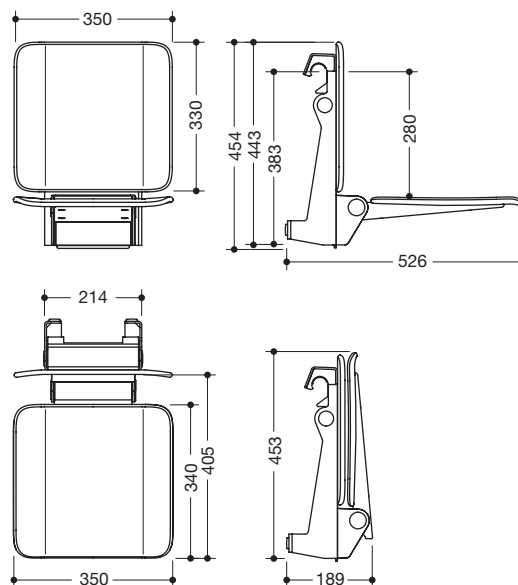
- Predefined selection options (seat, backrest and arm rests in 98, 92, 90 matt)

Colour of the synthetic components

- Predefined selection options (applications and caps in 98, 92, 90 matt)

HEWI Colours

-  98
-  92
-  90



900.51.10660 ZF

HEWI Hanging seat

especially for France and Switzerland

- for hanging in HEWI shower grab rails and support rails \varnothing 30, 32 and 33 mm
- slip-resistant, textured seat and backrest made of synthetic material in HEWI colours 98 (signal white), 92 (anthracite grey) and 90 (jet black)
- reinforcement of seat and suspension device made of aluminium, powder-coated in desired colour
- seat can be folded up to save space
- aluminum seat bracket ensures stability and safety
- moulded seat defines the sitting position (lightly curved shape provides pleasant support)
- seat made of thermoplastic synthetic material (polypropylene) enables an extremely resistant, hygienic surface and particularly soft seat comfort
- maintenance free, permanently smooth and easy moving joint
- loading capacity 150 kg
- 350 mm wide, 526 mm deep and 454 mm high
- seat: 350 mm wide and 340 mm deep
- product weight: 7,7 kg

Ordering information (details see page 103):

item number, desired colour shade glossy or matt, colour of the seat/backrest, colour of the synthetic components

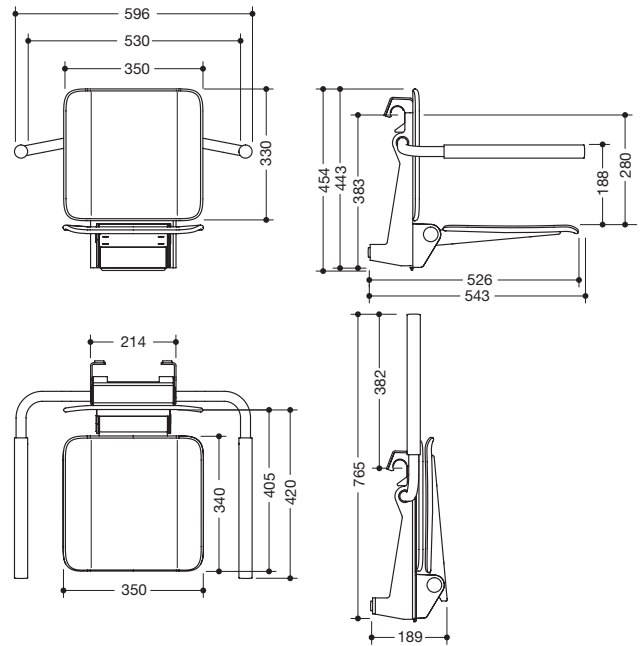
- Hanging device
- Seat, backrest, applications, caps

HEWI Powder coating | Surfaces

- Desired colour shade** (RAL Classic, RAL Design plus or Pantone palette (Fashion, Home + Interiors Color Guide Book))
- Glossy or matt**

Item Number



Dimensions in mm / Specification



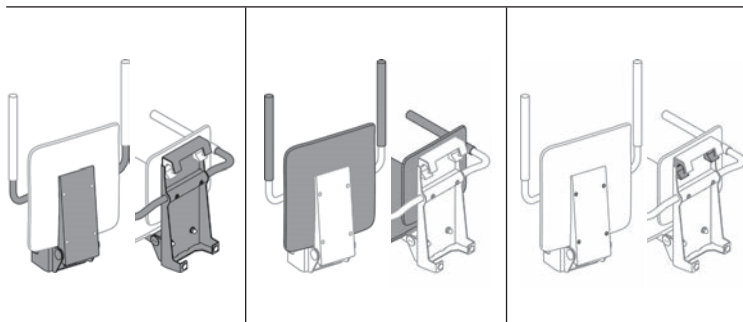
900.51.10760 ZF

**HEWI Hanging seat
especially for France and Switzerland**

- for hanging in HEWI shower grab rails and support rails \varnothing 30, 32 and 33 mm
- slip-resistant, textured seat and backrest made of synthetic material in HEWI colours 98 (signal white), 92 (anthracite grey) and 90 (jet black)
- reinforcement of seat and suspension device made of aluminium, powder-coated in desired colour
- seat can be folded up to save space
- aluminum seat bracket ensures stability and safety
- moulded seat defines the sitting position (lightly curved shape provides pleasant support)
- seat made of thermoplastic synthetic material (polypropylene) enables an extremely resistant, hygienic surface and particularly soft seat comfort
- arm rests made of high-quality matt polyamide in seat colour
- arm rests can be folded up and down separately
- maintenance free, permanently smooth and easy moving joint
- seat weight capacity up to 150 kg
- 596 mm wide, 454 mm high and 543 mm deep
- seat: 350 mm wide and 340 mm deep
- product weight: 11,6 kg

-  Hanging device
-  Seat, backrest, arm rests, applications, caps

Ordering information (details see page 103):
item number, desired colour shade glossy or matt, colour of the seat/backrest/arm rests, colour of the synthetic components



Ordering information (see page 103):

Powder coating

- Specification of the colour value: RAL Classic, RAL Design plus or Pantone palette (Fashion, Home + Interiors Color Guide Book)
- Surface: glossy or matt

Colour of the synthetic elements

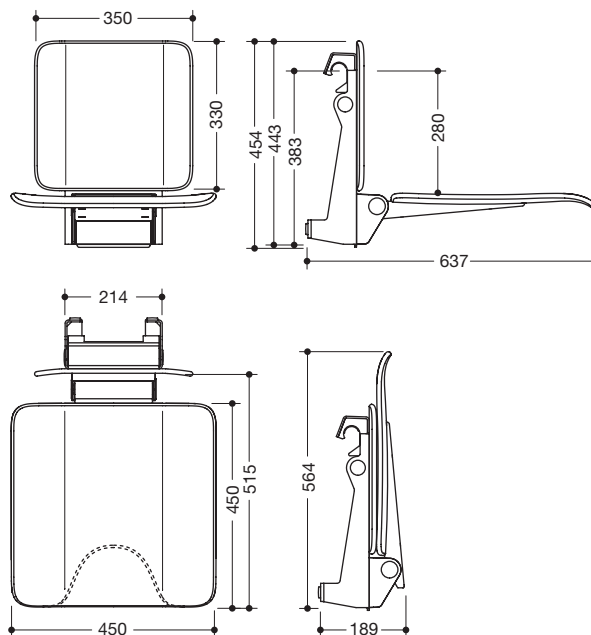
- Predefined selection options (seat, backrest and arm rests in 98, 92, 90 matt)

Colour of the synthetic components

- Predefined selection options (applications and caps in 98, 92, 90 matt)

HEWI Colours

- 98
- 92
- 90



900.51.10860 ZF

HEWI Hanging seat especially for France and Switzerland

- for hanging in HEWI shower grab rails and support rails \varnothing 30, 32 and 33 mm
- slip-resistant, textured seat and backrest made of synthetic material in HEWI colours 98 (signal white), 92 (anthracite grey) and 90 (jet black)
- reinforcement of seat and suspension device made of aluminium, powder-coated in desired colour
- seat can be folded up to save space
- aluminum seat bracket ensures stability and safety
- moulded seat defines the sitting position (lightly curved shape provides pleasant support)
- seat made of thermoplastic synthetic material (polypropylene) enables an extremely resistant, hygienic surface and particularly soft seat comfort
- maintenance free, permanently smooth and easy moving joint
- loading capacity 150 kg
- 450 mm wide, 637 mm deep and 454 mm high
- seat: 450 mm wide and 450 mm deep
- product weight: 8,5 kg
- fulfils the SIA 500 requirements

900.51.11060 ZF

with hygiene cutout

Ordering information (details see page 103):
item number, desired colour shade glossy or matt, colour of the seat/backrest, colour of the synthetic components

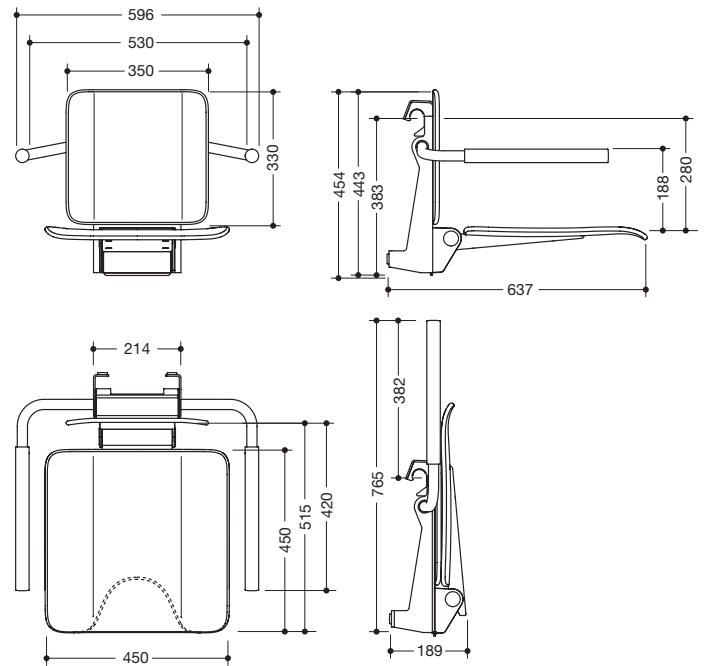
- Hanging device
- Seat, backrest, applications, caps

HEWI Powder coating | Surfaces

- Desired colour shade** (RAL Classic, RAL Design plus or Pantone palette (Fashion, Home + Interiors Color Guide Book))
- Glossy or matt**

Item Number

Dimensions in mm / Specification



900.51.10960 ZF



900.51.11160 ZF

HEWI Hanging seat especially for France and Switzerland

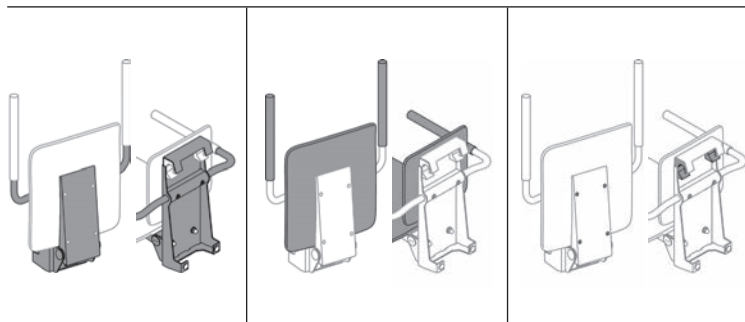
- for hanging in HEWI shower grab rails and support rails \varnothing 30, 32 and 33 mm
- slip-resistant, textured seat and backrest made of synthetic material in HEWI colours 98 (signal white), 92 (anthracite grey) and 90 (jet black)
- reinforcement of seat and suspension device made of aluminium, powder-coated in desired colour
- seat can be folded up to save space
- aluminum seat bracket ensures stability and safety
- moulded seat defines the sitting position (lightly curved shape provides pleasant support)
- seat made of thermoplastic synthetic material (polypropylene) enables an extremely resistant, hygienic surface and particularly soft seat comfort
- arm rests made of high-quality matt polyamide in seat colour
- arm rests can be folded up and down separately
- maintenance free, permanently smooth and easy moving joint
- seat weight capacity up to 150 kg, product weight: 12,4 kg
- 596 mm wide, 454 mm high and 637 mm deep
- seat: 450 mm wide and 450 mm deep
- fulfils the SIA 500 requirements

with hygiene cutout

Ordering information (details see page 103):

item number, desired colour shade glossy or matt, colour of the seat/backrest/arm rests, colour of the synthetic components

- Hanging device
- Seat, backrest, arm rests, applications, caps



Ordering information (see page 103):

Powder coating

- Specification of the colour value: RAL Classic, RAL Design plus or Pantone palette (Fashion, Home + Interiors Color Guide Book)
- Surface: glossy or matt

Colour of the synthetic elements

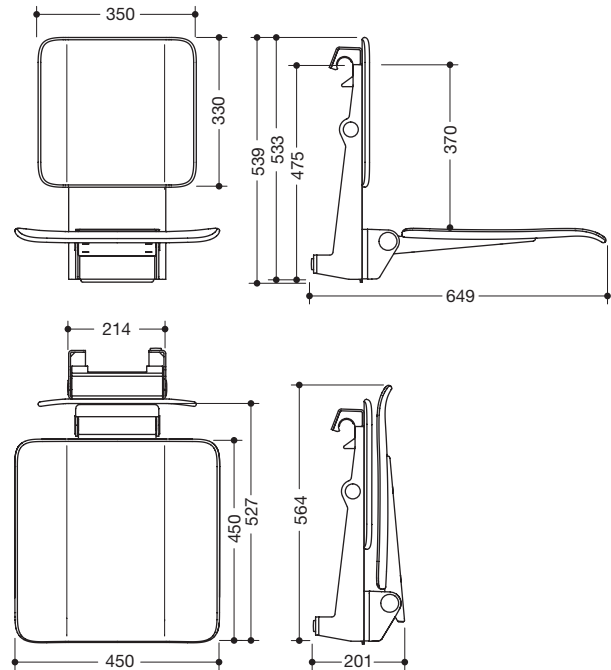
- Predefined selection options (seat, backrest and arm rests in 98, 92, 90 matt)

Colour of the synthetic components

- Predefined selection options (applications and caps in 98, 92, 90 matt)

HEWI Colours

- 98
- 92
- 90



900.51.11260 ZF

HEWI Hanging seat especially for UK

- for hanging in HEWI shower grab rails and support rails \varnothing 30, 32 and 33 mm
- slip-resistant, textured seat and backrest made of synthetic material in HEWI colours 98 (signal white), 92 (anthracite grey) and 90 (jet black)
- reinforcement of seat and suspension device made of aluminium, powder-coated in desired colour
- seat can be folded up to save space
- aluminum seat bracket ensures stability and safety
- moulded seat defines the sitting position (lightly curved shape provides pleasant support)
- seat made of thermoplastic synthetic material (polypropylene) enables an extremely resistant, hygienic surface and particularly soft seat comfort
- maintenance free, permanently smooth and easy moving joint
- loading capacity 150 kg
- 450 mm wide, 649 mm deep and 539 mm high
- seat: 450 mm wide and 450 mm deep
- product weight: 9,7 kg
- fulfils the requirements to British-Standard BS 8300:2009+A1:2010/ Doc M

Ordering information (details see page 103):

item number, desired colour shade glossy or matt, colour of the seat/backrest, colour of the synthetic components

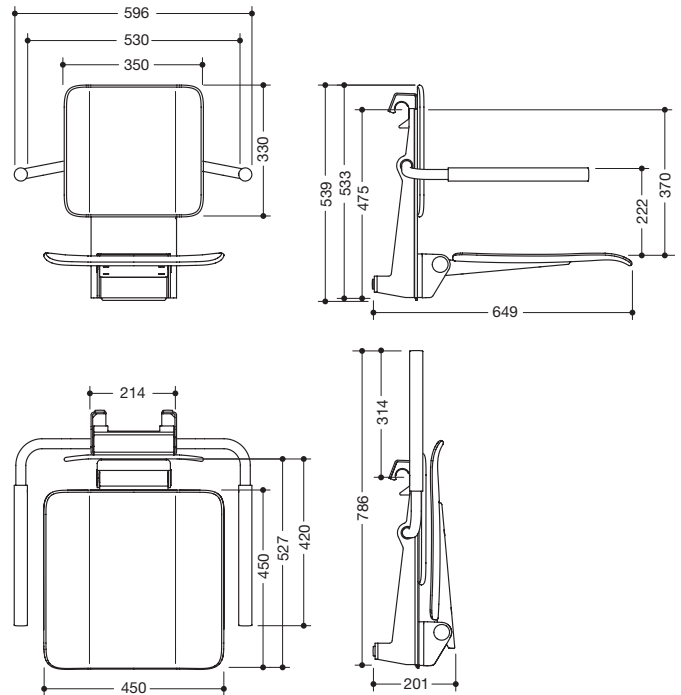
- Hanging device
- Seat, backrest, applications, caps

HEWI Powder coating | Surfaces

- Desired colour shade** (RAL Classic, RAL Design plus or Pantone palette (Fashion, Home + Interiors Color Guide Book))
- Glossy or matt**

Item Number

Dimensions in mm / Specification



900.51.11360 ZF

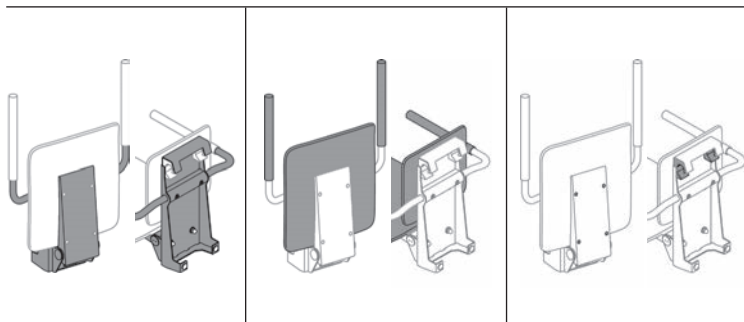
HEWI Hanging seat especially for UK

- for hanging in HEWI shower grab rails and support rails \varnothing 30, 32 and 33 mm
- slip-resistant, textured seat and backrest made of synthetic material in HEWI colours 98 (signal white), 92 (anthracite grey) and 90 (jet black)
- reinforcement of seat and suspension device made of aluminium, powder-coated in desired colour
- seat can be folded up to save space
- aluminum seat bracket ensures stability and safety
- moulded seat defines the sitting position (lightly curved shape provides pleasant support)
- seat made of thermoplastic synthetic material (polypropylene) enables an extremely resistant, hygienic surface and particularly soft seat comfort
- arm rests made of high-quality matt polyamide in seat colour
- arm rests can be folded up and down separately
- maintenance free, permanently smooth and easy moving joint
- seat weight capacity up to 150 kg, product weight: 13,6 kg
- 596 mm wide, 539 mm high and 649 mm deep
- seat: 450 mm wide and 450 mm deep
- fulfils the requirements acc. to BS-Standard BS 8300:2009+A1:2010/ Doc M

- Hanging device
- Seat, backrest, arm rests, applications, caps

Ordering information (details see page 103):

item number, desired colour shade glossy or matt, colour of the seat/backrest/arm rests, colour of the synthetic components



Ordering information (see page 103):

Powder coating

- Specification of the colour value: RAL Classic, RAL Design plus or Pantone palette (Fashion, Home + Interiors Color Guide Book)
- Surface: glossy or matt

Colour of the synthetic elements

- Predefined selection options (seat, backrest and arm rests in 98, 92, 90 matt)

Colour of the synthetic components

- Predefined selection options (applications and caps in 98, 92, 90 matt)

HEWI Colours

- 98
- 92
- 90



Modular washbasin system

Independence and comfort

Modular washbasin system

The innovative concept allows the integration of an adaptive support rail and a modular storage system directly on the washbasin. Powder-coated stainless steel creates a refined look at the washbasin. The surface is extremely resistant and offers a high level of gripping comfort for the support rail. You can individually select your desired colour from the **RAL Classic**, **RAL Design plus** or **Pantone palette (Fashion, Home + Interiors Color Guide Book)** or one of the four HEWI favourite colours (**Faded Cinder Rose**, **Soothing Cedar Brown**, **Somber Sage Green** and **Dark Breeze Blue**). In addition, the **surfaces matt** or **gloss** are available for selection.

Washbasin sets

Sensibly composed sets allow straightforward expansion of the washbasin by useful elements.

Washbasin elements

The washbasins can be extended by the modular system – as required by the individual needs of the user.

Wall profiles

Due to the timeless and modern design, the organisation system is also ideal for the wall.

www.hewi.com/en/washbasinsystem



Modular washbasin system

Washbasin product range



Washbasin set
950.19.07... from p. 118
950.19.08... | overflow from p. 118



Washbasin | with overflow
950.13.20... | 650 x 550 mm p. 126



Configuration
+ support rail p. 127
+ profile + accessoires p. 127
+ support rail + accessoires p. 127



Washbasin set
950.19.085 page 123
950.19.086 page 123



Washbasin | with overflow
950.13.30... | 850 x 550 mm p. 128



Configuration
+ support rail p. 129
+ profile + accessoires p. 129
+ support rail + accessoires p. 129



Washbasin | with overflow
950.13.20... | variable length p. 130



Configuration
+ support rail page 131



Washbasin set
950.19.087 page 124
950.19.088 page 124



Configuration
+ support rail + accessoires p. 133



Washbasin set
950.19.089 page 125
950.19.090 page 125



Configuration
+ support rail + accessoires p. 133



Modular washbasin system

Washbasin sets





Washbasin set 950.19.070

see page 118



Washbasin set 950.19.080

see page 118



Washbasin set 950.19.071

see page 119



Washbasin set 950.19.081

see page 119



Washbasin set 950.19.072

see page 120



Washbasin set 950.19.082

see page 120



Washbasin set 950.19.073

see page 121



Washbasin set 950.19.083

see page 121



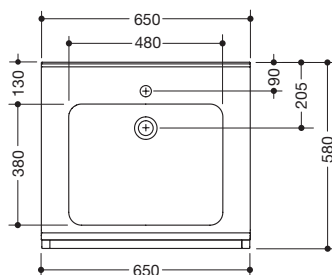
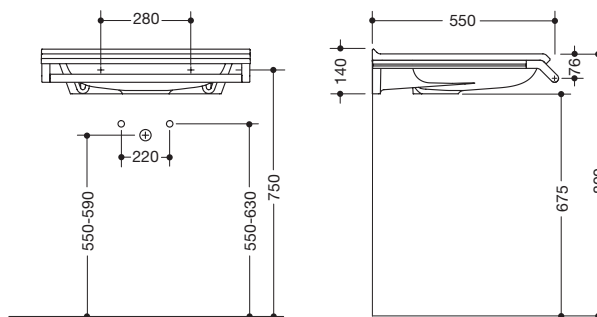
Washbasin set 950.19.074

see page 122



Washbasin set 950.19.084

see page 122



950.19.070 ZB

HEWI Set washbasin with support rail

set includes:

- washbasin 950.13.201
 - modular washbasin system: adaptive additional functions can be extended or removed
 - with shelf and deep rectangular basin with generous radii
 - with gushing edge to wall, without overflow
 - alpine white, made of mineral composite with non-porous surface
 - 650 mm wide, 550 mm deep, wash trough depth 100 mm
 - prepared for single hole mixer tap
 - wheelchair accessible to DIN 18040 and ÖNORM B 1600/1601
 - loading capacity to EN 14688
 - for hanger bolt fixing
 - CE marking according to Construction Products Regulation No. 305/2011
- washbasin profiles with support rail 950.13.0001
 - support rail can also be used as a towel holder, loading capacity up to 80 kg
 - 650 mm wide, rail ø 25 mm
 - mounted under the washbasin using two profiles
 - rail made of high-quality stainless steel, powder-coated in desired colour
 - including non-corrosive HEWI fixing material



950.19.080 ZB

HEWI Set washbasin with support rail

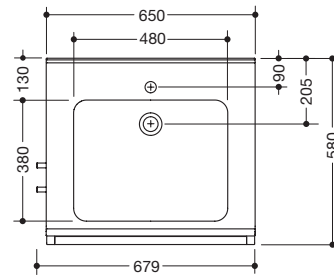
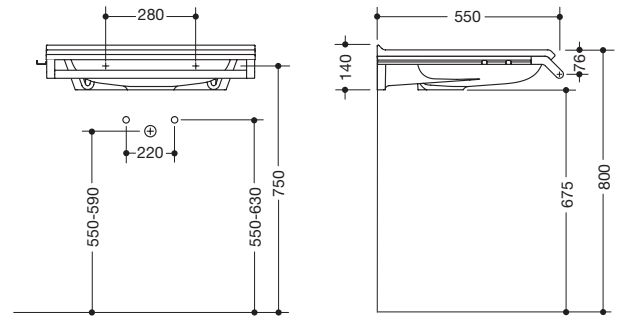
- do., washbasin 950.13.203
 - includes overflow with rose and cover
 - overflow can be replaced and renewed if necessary
 - overflow is mounted between drain and siphon under the washbasin, h=25 mm, ø=70 mm

Ordering information: item number, desired colour shade glossy or matt (washbasin profiles with support rail)



HEWI Powder coating | Surfaces

- **Desired colour shade** (RAL Classic, RAL Design plus or Pantone palette (Fashion, Home + Interiors Color Guide Book))
- **Glossy or matt**



950.19.071 ZB

HEWI Set washbasin with support rail and 2 hooks

set includes:

- washbasin 950.13.201
 - modular washbasin system: adaptive additional functions can be extended or removed
 - with shelf and deep rectangular basin with generous radii
 - with gushing edge to wall, without overflow
 - alpine white, made of mineral composite with non-porous surface
 - 650 mm wide, 550 mm deep, wash trough depth 100 mm
 - prepared for single hole mixer tap
 - wheelchair accessible to DIN 18040 and ÖNORM B 1600/1601
 - loading capacity to EN 14688
 - for hanger bolt fixing
 - CE marking according to Construction Products Regulation No. 305/2011
- washbasin profiles with support rail 950.13.0001
 - support rail can also be used as a towel holder, loading capacity up to 80 kg
 - 650 mm wide, rail \varnothing 25 mm
 - mounted under the washbasin using two profiles
- 2 x hook 950.13.0013
 - hooks can easily be inserted and removed in the profile, loading capacity up to 2 kg
 - 15 mm wide
- hooks and rail made of high-quality stainless steel, powder-coated in desired colour
- including non-corrosive HEWI fixing material



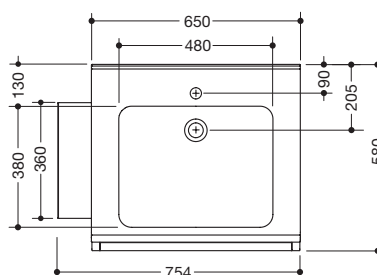
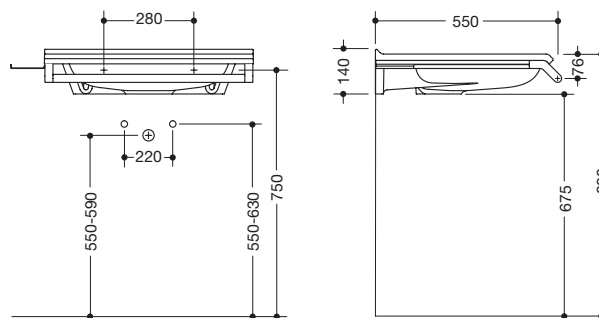
950.19.081 ZB

HEWI Set washbasin with support rail and 2 hooks

- do., washbasin 950.13.203
 - includes overflow with rose and cover
 - overflow can be replaced and renewed if necessary
 - overflow is mounted between drain and siphon under the washbasin, h=25 mm, \varnothing =70 mm

Ordering information: item number, desired colour shade glossy or matt (washbasin profiles with support rail, hooks)





950.19.072 ZB

HEWI Set washbasin with support rail and shelf

set includes:

- washbasin 950.13.201
 - modular washbasin system: adaptive additional functions can be extended or removed
 - with shelf and deep rectangular basin with generous radii
 - with gushing edge to wall, without overflow
 - alpine white, made of mineral composite with non-porous surface
 - 650 mm wide, 550 mm deep, wash trough depth 100 mm
 - prepared for single hole mixer tap
 - wheelchair accessible to DIN 18040 and ÖNORM B 1600/1601
 - loading capacity to EN 14688
 - for hanger bolt fixing
 - CE marking according to Construction Products Regulation No. 305/2011
- washbasin profiles with support rail 950.13.0001
 - support rail can also be used as a towel holder, loading capacity up to 80 kg
 - 650 mm wide, rail \varnothing 25 mm
 - mounted under the washbasin using two profiles
- shelf 950.13.0014
 - shelf can easily be inserted and removed in the profile, loading capacity up to 2 kg
 - shelf: 360 mm wide, 102 mm deep
- shelf and rail made of high-quality stainless steel, powder-coated in desired colour
- including non-corrosive HEWI fixing material



950.19.082 ZB

HEWI Set washbasin with support rail and shelf

- do., washbasin 950.13.203
 - includes overflow with rose and cover
 - overflow can be replaced and renewed if necessary
 - overflow is mounted between drain and siphon under the washbasin, h=25 mm, \varnothing =70 mm

Ordering information: item number, desired colour shade glossy or matt (washbasin profiles with support rail, shelf)

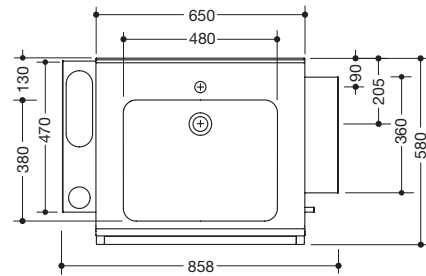
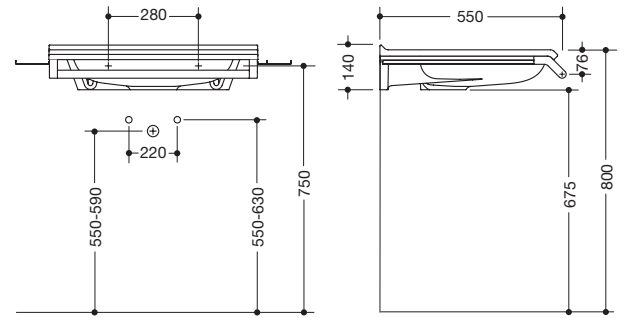


HEWI Powder coating | Surfaces

- **Desired colour shade** (RAL Classic, RAL Design plus or Pantone palette (Fashion, Home + Interiors Color Guide Book))
- **Glossy or matt**

Item Number

Dimensions in mm / Specification



950.19.073 ZB

HEWI Set washbasin with support rail, 2 shelves and hook

set includes:

- washbasin 950.13.201
 - modular washbasin system: adaptive additional functions can be extended or removed
 - with shelf and deep rectangular basin with generous radii
 - with gushing edge to wall, without overflow
 - alpine white, made of mineral composite with non-porous surface
 - 650 mm wide, 550 mm deep, wash trough depth 100 mm
 - prepared for single hole mixer tap
 - wheelchair accessible to DIN 18040 and ÖNORM B 1600/1601
 - loading capacity to EN 14688
 - for hanger bolt fixing
 - CE marking according to Construction Products Regulation No. 305/2011
- washbasin profiles with support rail 950.13.0001
 - support rail can also be used as a towel holder, loading capacity up to 80 kg
 - 650 mm wide, rail ø 25 mm
 - mounted under the washbasin using two profiles
- shelf 950.13.0014: 360 mm wide, 102 mm deep
- shelf 950.13.0018: 470 mm wide, 102 mm deep
 - hole for tumbler or soap dispenser system 800 K, oblong hole for shower basket system 800 K (page 144)
- hook 950.13.0013: 15 mm wide
- shelves and hook can easily be inserted and removed in the profile, loading capacity up to 2 kg
- shelves, hook and rail made of high-quality stainless steel, powder-coated in desired colour
- including non-corrosive HEWI fixing material



950.19.083 ZB

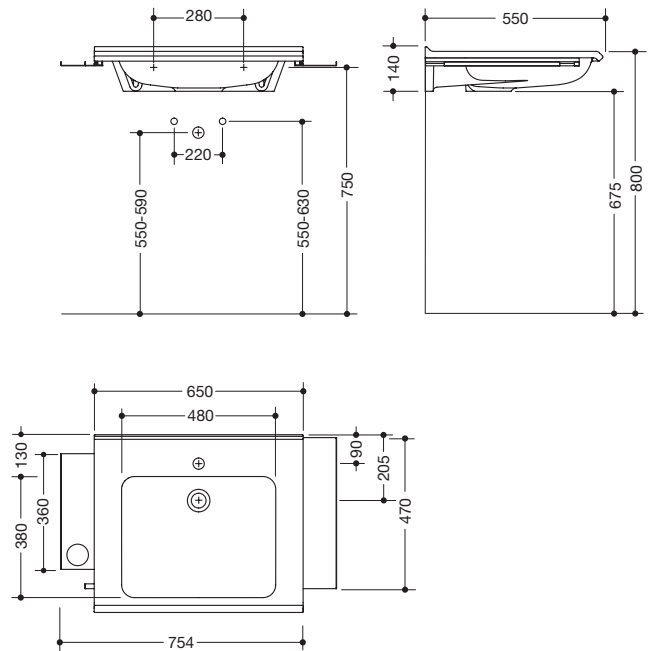
HEWI Set washbasin with support rail, 2 shelves and hook

· do., washbasin 950.13.203

- includes overflow with rose and cover
- overflow can be replaced and renewed if necessary
- overflow is mounted between drain and siphon under the washbasin, h=25 mm, ø=70 mm

Ordering information: item number, desired colour shade glossy or matt (washbasin profiles with support rail, shelves, hook)





950.19.074 ZB

HEWI Set washbasin with 2 shelves and hook

set includes:

- washbasin 950.13.201
 - modular washbasin system: adaptive additional functions can be extended or removed
 - with shelf and deep rectangular basin with generous radii
 - with gushing edge to wall, without overflow
 - alpine white, made of mineral composite with non-porous surface
 - 650 mm wide, 550 mm deep, wash trough depth 100 mm
 - prepared for single hole mixer tap
 - wheelchair accessible to DIN 18040 and ÖNORM B 1600/1601
 - loading capacity to EN 14688
 - for hanger bolt fixing
 - CE marking according to Construction Products Regulation No. 305/2011
- washbasin profile with shelf 950.13.0003
 - 360 mm wide, 102 mm deep
 - hole for tumbler or soap dispenser system 800 K (page 144)
- washbasin profile with shelf 950.13.0005
 - 470 mm wide, 102 mm deep
- hook 950.13.0013
 - 15 mm wide
- shelves and hook can easily be inserted and removed in the profile, loading capacity up to 2 kg
- shelves and hook made of high-quality stainless steel, powder-coated in desired colour
- including non-corrosive HEWI fixing material



950.19.084 ZB

HEWI Set washbasin with 2 shelves and hook

- do., washbasin 950.13.203
 - includes overflow with rose and cover
 - overflow can be replaced and renewed if necessary
 - overflow is mounted between drain and siphon under the washbasin, h=25 mm, ø=70 mm

Ordering information: item number, desired colour shade glossy or matt (washbasin profiles with shelves, hook)

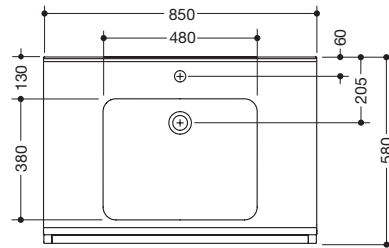
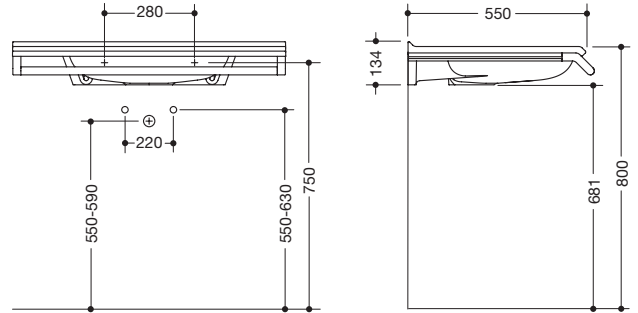


HEWI Powder coating | Surfaces

- **Desired colour shade** (RAL Classic, RAL Design plus or Pantone palette (Fashion, Home + Interiors Color Guide Book))
- **Glossy or matt**

Item Number

Dimensions in mm / Specification



950.19.085 ZB

HEWI Set washbasin with support rail

set includes:

- washbasin 950.13.301
 - modular washbasin system: adaptive additional functions can be extended or removed
 - with shelf and deep rectangular basin with generous radii
 - with gushing edge to wall, without overflow
 - alpine white, made of mineral composite with non-porous surface
 - 850 mm wide and 550 mm deep, wash trough depth 100 mm
 - prepared for single hole mixer tap
 - wheelchair accessible to DIN 18040 and ÖNORM B 1600/1601
 - loading capacity to EN 14688
 - for hanger bolt fixing
 - CE marking according to Construction Products Regulation No. 305/2011
- washbasin profiles with support rail 950.13.0022
 - support rail can also be used as a towel holder, loading capacity up to 80 kg
 - 850 mm wide, rail \varnothing 25 mm
 - mounted under the washbasin using two profiles
 - rail made of high-quality stainless steel, powder-coated in desired colour
 - including non-corrosive HEWI fixing material



950.19.086 ZB

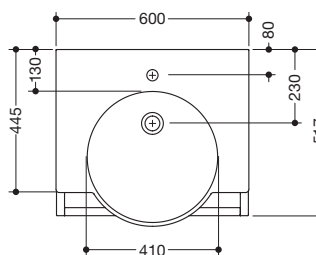
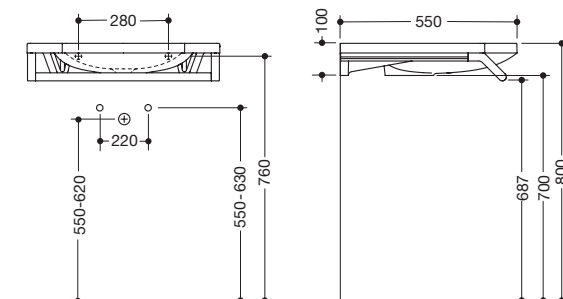
HEWI Set washbasin with support rail

- do., washbasin 950.13.303
 - includes overflow with rose and cover
 - overflow can be replaced and renewed if necessary
 - overflow is mounted between drain and siphon under the washbasin, h=25 mm, \varnothing =70 mm

Ordering information: item number, desired colour shade glossy or matt (washbasin profiles with support rail)



Configuration of accessories see page 129



950.19.087 ZB

HEWI Set washbasin with support rail

set includes:

- washbasin 950.11.121
 - with shelf and round basin
 - without overflow
 - alpine white, made of mineral composite with non-porous surface
 - 600 mm wide and 550 mm deep, wash trough depth 80 mm
 - prepared for single hole mixer tap
 - wheelchair accessible to DIN 18040 and ÖNORM B 1600/1601
 - loading capacity to EN 14688
 - for hanger bolt fixing
 - CE marking according to Construction Products Regulation No. 305/2011
- washbasin profiles with support rail 950.13.0024
 - support rail can also be used as a towel holder, loading capacity up to 80 kg
 - 600 mm wide, rail ø 25 mm
 - mounted under the washbasin using two profiles
 - rail made of high-quality stainless steel, powder-coated in desired colour
 - including non-corrosive HEWI fixing material



950.19.088 ZB

HEWI Set washbasin with support rail

- do., washbasin 950.11.120
 - without tape hole (for wall-mounted fittings)

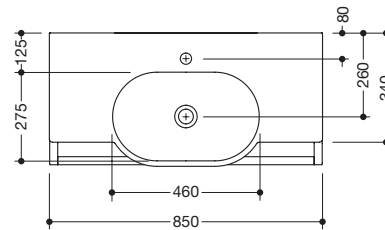
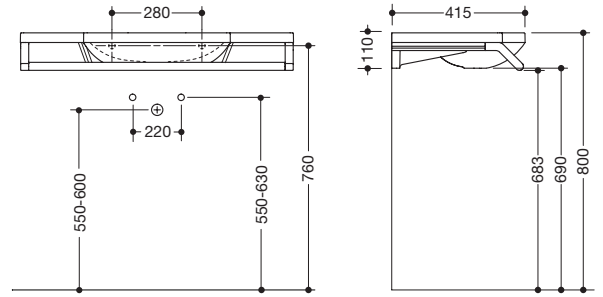
Ordering information: item number, desired colour shade glossy or matt (washbasin profiles with support rail)



HEWI Powder coating | Surfaces

- **Desired colour shade** (RAL Classic, RAL Design plus or Pantone palette (Fashion, Home + Interiors Color Guide Book))
- **Glossy or matt**

Configuration of accessories see page 133



950.19.089 ZB

HEWI Set washbasin with support rail

set includes:

- washbasin 950.11.221
 - with shelf and oval basin
 - without overflow
 - alpine white, made of mineral composite with non-porous surface
 - 850 mm wide and 415 mm deep, wash trough depth 90 mm
 - prepared for single hole mixer tap
 - wheelchair accessible
 - loading capacity to EN 14688
 - for hanger bolt fixing
 - CE marking according to Construction Products Regulation No. 305/2011
 - fulfils the ÖNORM B1600/1601 requirements for small basins
- washbasin profiles with support rail 950.13.0025
 - support rail can also be used as a towel holder, loading capacity up to 80 kg
 - 850 mm wide, rail ø 25 mm
 - mounted under the washbasin using two profiles
 - rail made of high-quality stainless steel, powder-coated in desired colour
 - including non-corrosive HEWI fixing material



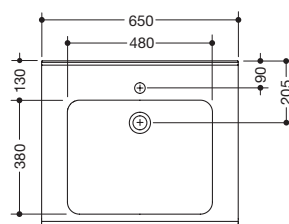
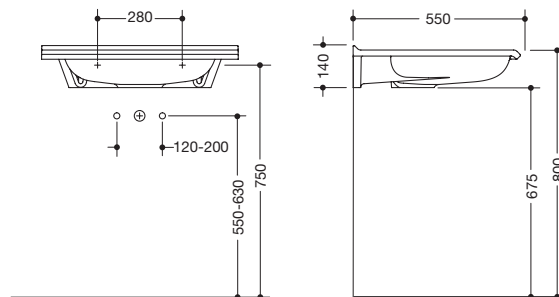
950.19.090 ZB

HEWI Set washbasin with support rail

- do., washbasin 950.11.220
 - without tape hole (for wall-mounted fittings)

Ordering information: item number, desired colour shade glossy or matt (washbasin profiles with support rail)





Mineral composite

950.13.201
950.13.200

HEWI Washbasin

- modular washbasin system: adaptive additional functions can be extended or removed
- with shelf and deep rectangular basin with generous radii
- with gushing edge to wall
- without overflow
- alpine white, made of mineral composite with non-porous surface
- 650 mm wide, 550 mm deep, wash trough depth 100 mm
- wheelchair accessible to DIN 18040 and ÖNORM B 1600/1601
- loading capacity to EN 14688
- for hanger bolt fixing
- CE marking according to Construction Products Regulation No. 305/2011
- prepared for single hole mixer tap
- without tape hole (for wall-mounted fittings)



Mineral composite

950.13.203
950.13.202

HEWI Washbasin

- do., includes overflow with rose and cover
- overflow can be replaced and renewed if necessary
- overflow is mounted between drain and siphon under the washbasin, h=25 mm, ø=70 mm
- prepared for single hole mixer tap
- without tape hole (for wall-mounted fittings)

Configuration of washbasins see right



=

950.13.20...
see left

+

1 profile optionally with 1 shelf or 3 hooks
Free choice:
950.13.0002 Washbasin profile with shelf
950.13.0003 Washbasin profile with shelf, hole right
950.13.0004 Washbasin profile with shelf, hole left
950.13.0005 Washbasin profile with shelf
950.13.0006 Washbasin profile with shelf, hole right and oblong hole
950.13.0007 Washbasin profile with shelf, hole left and oblong hole
950.13.0008 Washbasin profile with 3 hooks

Washbasin profile sets from page 134

+

2 profiles optionally with 1 shelf each or 3 hooks each
Free choice:
950.13.0002 Washbasin profile with shelf
950.13.0003 Washbasin profile with shelf, hole right
950.13.0004 Washbasin profile with shelf, hole left
950.13.0005 Washbasin profile with shelf
950.13.0006 Washbasin profile with shelf, hole right and oblong hole
950.13.0007 Washbasin profile with shelf, hole left and oblong hole
950.13.0008 Washbasin profile with 3 hooks

Washbasin profile sets from page 134



=

950.13.20... + 950.13.0001
Washbasin profiles with support rail see page 136

+

Accessoires
Free choice:
950.13.0013 15 mm Hook
950.13.0014 360 mm Shelf
950.13.0015 360 mm Shelf, hole right
950.13.0016 360 mm Shelf, hole left
950.13.0017 470 mm Shelf
950.13.0018 470 mm Shelf, hole right and oblong hole
950.13.0019 470 mm Shelf, hole left and oblong hole
950.13.0026 470 mm Towel rail
950.13.0027 120 mm Walking aid holder
950.13.0028 190 mm Shelf

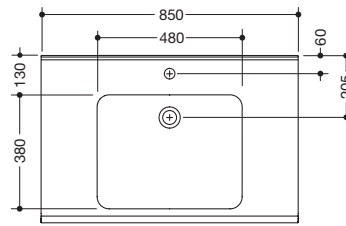
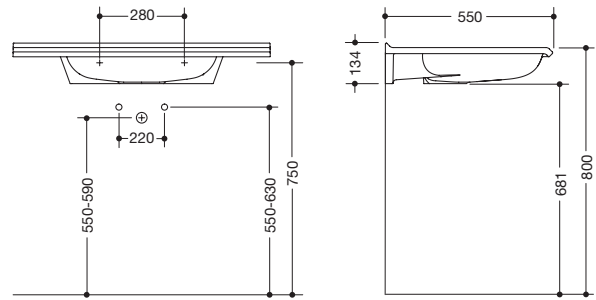
**Free choice of accessories.
Can be combined up to max. 470 mm per profile side.**

Accessoires from page 142



Mineral composite

950.13.301
950.13.300



HEWI Washbasin

- modular washbasin system: adaptive additional functions can be extended or removed
- with shelf and deep rectangular basin with generous radii
- with gushing edge to wall
- without overflow
- alpine white, made of mineral composite with non-porous surface
- 850 mm wide and 550 mm deep, wash trough depth 100 mm
- wheelchair accessible to DIN 18040 and ÖNORM B 1600/1601
- loading capacity to EN 14688
- for hanger bolt fixing
- CE marking according to Construction Products Regulation No. 305/2011
- prepared for single hole mixer tap
- without tape hole (for wall-mounted fittings)



Mineral composite

950.13.303
950.13.302

HEWI Washbasin

- do., includes overflow with rose and cover
- overflow can be replaced and renewed if necessary
- overflow is mounted between drain and siphon under the washbasin, h=25 mm, ø=70 mm
- prepared for single hole mixer tap
- without tape hole (for wall-mounted fittings)

Configuration of washbasins see right



=

950.13.3...
see left

+

1 profile optionally with 1 shelf or 3 hooks
Free choice:
950.13.0002 Washbasin profile with shelf
950.13.0003 Washbasin profile with shelf, hole right
950.13.0004 Washbasin profile with shelf, hole left
950.13.0005 Washbasin profile with shelf
950.13.0006 Washbasin profile with shelf, hole right and oblong hole
950.13.0007 Washbasin profile with shelf, hole left and oblong hole
950.13.0008 Washbasin profile with 3 hooks

Washbasin profile sets from page 134

+

2 profiles optionally with 1 shelf each or 3 hooks each
Free choice:
950.13.0002 Washbasin profile with shelf
950.13.0003 Washbasin profile with shelf, hole right
950.13.0004 Washbasin profile with shelf, hole left
950.13.0005 Washbasin profile with shelf
950.13.0006 Washbasin profile with shelf, hole right and oblong hole
950.13.0007 Washbasin profile with shelf, hole left and oblong hole
950.13.0008 Washbasin profile with 3 hooks

Washbasin profile sets from page 134



=

950.13.30... + 950.13.0022
Washbasin profiles with support rail see page 136

+

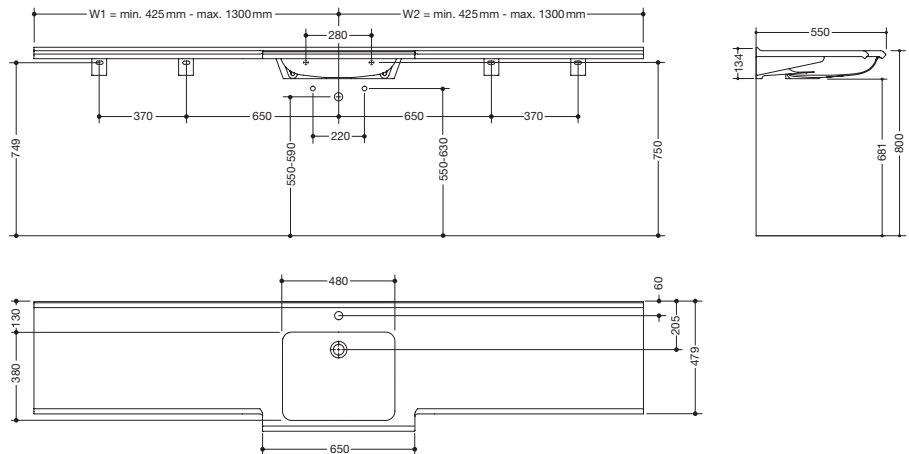
Accessoires
Free choice:
950.13.0013 15 mm Hook
950.13.0014 360 mm Shelf
950.13.0015 360 mm Shelf, hole right
950.13.0016 360 mm Shelf, hole left
950.13.0017 470 mm Shelf
950.13.0018 470 mm Shelf, hole right and oblong hole
950.13.0019 470 mm Shelf, hole left and oblong hole
950.13.0026 470 mm Towel rail
950.13.0027 120 mm Walking aid holder
950.13.0028 190 mm Shelf

**Free choice of accessories.
Can be combined up to max. 470 mm per profile side.**

Accessoires from page 142

Item Number

Dimensions in mm / Specification



950.13.201S
950.13.200S

HEWI Washbasin, variable length

- modular washbasin system: adaptive additional functions can be extended or removed
- with shelf and deep rectangular basin with generous radii
- with gushing edge to wall, without overflow
- alpine white, made of mineral composite with non-porous surface
- base length: 850 mm, extendable to a total length of up to 2600 mm, 550 mm deep, wash trough depth 100 mm
- millimetre-precision production, asymmetrical extensions possible*
- wheelchair accessible to DIN 18040 and ÖNORM B 1600/1601
- loading capacity to EN 14688
- for hanger bolt fixing
- incl. appropriate number of necessary supports
- CE marking according to Construction Products Regulation No. 305/2011

- prepared for single hole mixer tap
- without tape hole (for wall-mounted fittings)



950.13.203S
950.13.202S

HEWI Washbasin, variable length

- do., includes overflow with rose and cover
- overflow can be replaced and renewed if necessary
- overflow is mounted between drain and siphon under the washbasin, h=25 mm, ø=70 mm
- prepared for single hole mixer tap
- without tape hole (for wall-mounted fittings)

All HEWI variable length washbasins are individually made to the dimensions specified by the customer and therefore cannot be exchanged or returned!

W1 in mm	W2 in mm					
	425 - 549	550 - 709	710 - 899	900 - 1079	1080 - 1149	1150 - 1300
425 - 549						
550 - 709						
710 - 899						
900 - 1079						
1080 - 1149						
1150 - 1300						

Mineral composite

*Manufacturing tolerances of up to -0,4% of the total basin length possible.

Configuration of washbasins see right



950.13.20...S
see left

Cannot be combined with washbasin profile sets.

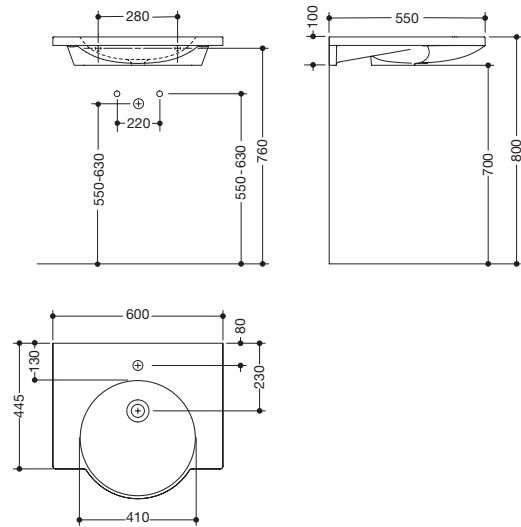


950.13.2...S + 950.13.0023
Support rail see page 137

Cannot be combined with accessories.

Item Number

Dimensions in mm / Specification



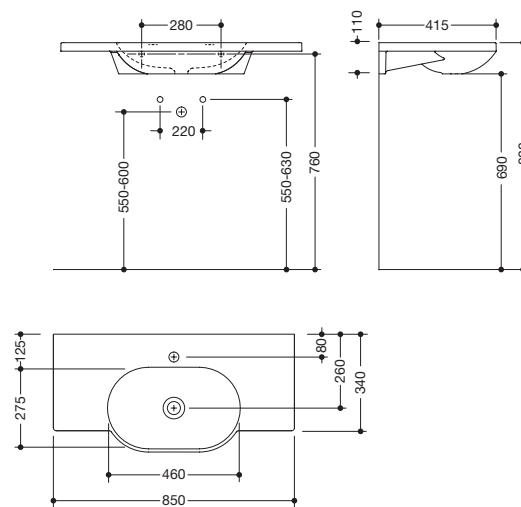
HEWI Washbasin

- with shelf and round basin, without overflow
- alpine white, made of mineral composite with non-porous surface
- wheelchair accessible to DIN 18040 and ÖNORM B 1600/1601
- loading capacity to EN 14688
- 600 mm wide, 550 mm deep, wash trough depth 80 mm
- for hanger bolt fixing
- CE marking according to Construction Products Regulation No. 305/2011

Mineral composite

950.11.121
950.11.120

- prepared for single hole mixer tap
- without tape hole (for wall-mounted fittings)



HEWI Washbasin

- with shelf and oval basin, without overflow
- alpine white, made of mineral composite with non-porous surface
- wheelchair accessible to DIN 18040 and ÖNORM B 1600/1601
- loading capacity to EN 14688
- 850 mm wide, 415 mm deep, wash trough depth 90 mm
- for hanger bolt fixing
- fulfils the ÖNORM B1600/1601 requirements for small basins
- CE marking according to Construction Products Regulation No. 305/2011

Mineral composite

950.11.221
950.11.220

- prepared for single hole mixer tap
- without tape hole (for wall-mounted fittings)

Configuration of washbasins see right



=

950.11.12... + 950.13.0024

Washbasin profiles with support rail see page 137

+

Accessoires

Free choice:

950.13.0013	15 mm	Hook
950.13.0014	360 mm	Shelf
950.13.0015	360 mm	Shelf, hole right
950.13.0016	360 mm	Shelf, hole left
950.13.0027	120 mm	Walking aid holder
950.13.0028	190 mm	Shelf

Free choice of accessories.

Can be combined up to max. 430 mm per profile side.

Accessoires from page 142



=

950.11.22... + 950.13.0025

Washbasin profiles with support rail see page 137

+

Accessoires

Free choice:

950.13.0013	15 mm	Hook
950.13.0027	120 mm	Walking aid holder
950.13.0028	190 mm	Shelf

Free choice of accessories.

Can be combined up to max. 325 mm per profile side.

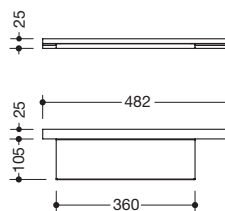
Accessoires from page 142

Item Number

Dimensions in mm / Specification



950.13.0002 ZB



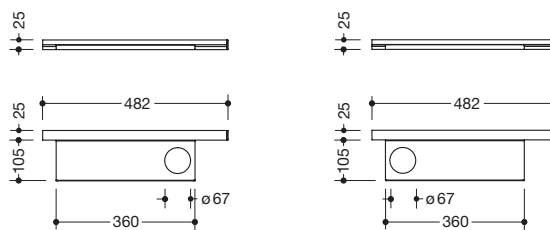
HEWI Washbasin profile with shelf

- adaptive additional functions for washbasin models 950.13.20... and 950.13.30...
- shelf can easily be inserted and removed in the profile on the washbasin
- shelf: 360 mm wide, 105 mm deep, loading capacity up to 2 kg
- shelf made of high-quality stainless steel and profile made of aluminium, powder-coated in desired colour
- including non-corrosive HEWI fixing material

Ordering information: item number, desired colour shade glossy or matt



950.13.0003 ZB
950.13.0004 ZB



HEWI Washbasin profile with shelf

- adaptive additional functions for washbasin models 950.13.20... and 950.13.30...
- shelf can easily be inserted and removed in the profile on the washbasin
- shelf: 360 mm wide, 105 mm deep, loading capacity up to 2 kg
- hole for tumbler or soap dispenser system 800 K (see page 144)
- shelf made of high-quality stainless steel and profile made of aluminium, powder-coated in desired colour
- including non-corrosive HEWI fixing material

- hole right
- hole left

Ordering information: item number, desired colour shade glossy or matt



HEWI Powder coating | Surfaces

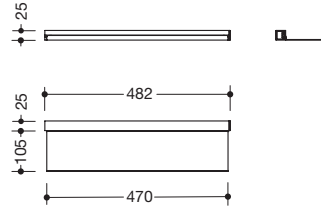
- **Desired colour shade** (RAL Classic, RAL Design plus or Pantone palette (Fashion, Home + Interiors Color Guide Book))
- **Glossy or matt**

Item Number

Dimensions in mm / Specification



950.13.0005 ZB



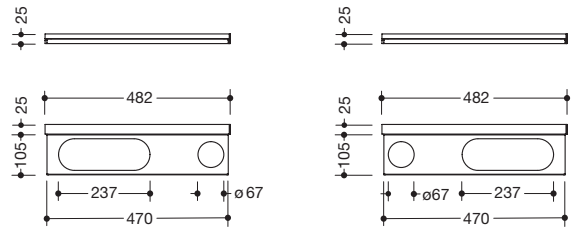
HEWI Washbasin profile with shelf

- adaptive additional functions for washbasin models 950.13.20... and 950.13.30...
- shelf can easily be inserted and removed in the profile on the washbasin
- shelf: 470 mm wide, 105 mm deep, loading capacity up to 2 kg
- shelf made of high-quality stainless steel and profile made of aluminium, powder-coated in desired colour
- including non-corrosive HEWI fixing material

Ordering information: item number, desired colour shade glossy or matt



950.13.0006 ZB
950.13.0007 ZB



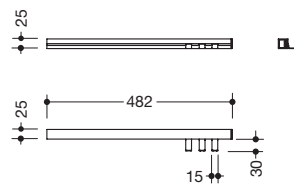
HEWI Washbasin profile with shelf

- adaptive additional functions for washbasin models 950.13.20... and 950.13.30...
- shelf can easily be inserted and removed in the profile on the washbasin
- shelf: 470 mm wide, 105 mm deep, loading capacity up to 2 kg
- hole for tumbler or soap dispenser system 800 K, oblong hole for shower basket system 800 K (see page 144)
- shelf made of high-quality stainless steel and profile made of aluminium, powder-coated in desired colour
- including non-corrosive HEWI fixing material
- hole right, oblong hole left
- hole left, oblong hole right

Ordering information: item number, desired colour shade glossy or matt



950.13.0008 ZB



HEWI Washbasin profile with 3 hooks

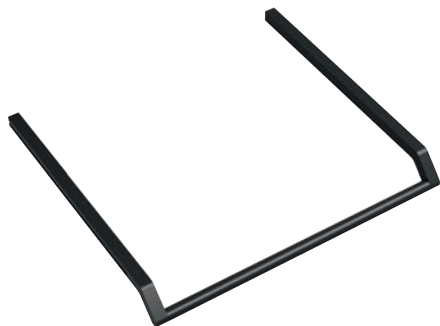
- adaptive additional functions for washbasin models 950.13.20... and 950.13.30...
- hooks can easily be inserted and removed in the profile on the washbasin
- profile: 482 mm long, hook: each 15 mm wide and 30 mm deep, loading capacity up to 2 kg
- hooks made of high-quality stainless steel and profile made of aluminium, powder-coated in desired colour
- including non-corrosive HEWI fixing material

Ordering information: item number, desired colour shade glossy or matt

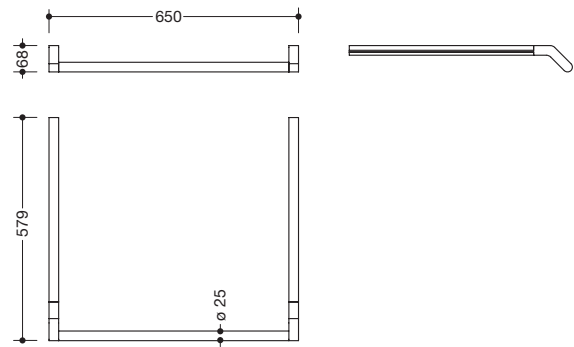


Item Number

Dimensions in mm / Specification



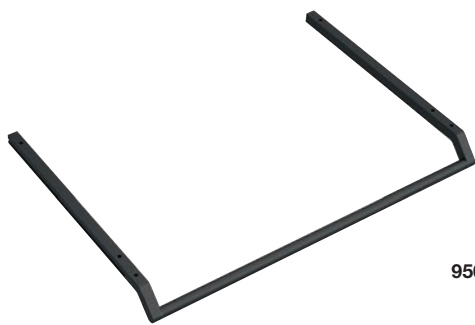
950.13.0001 ZB



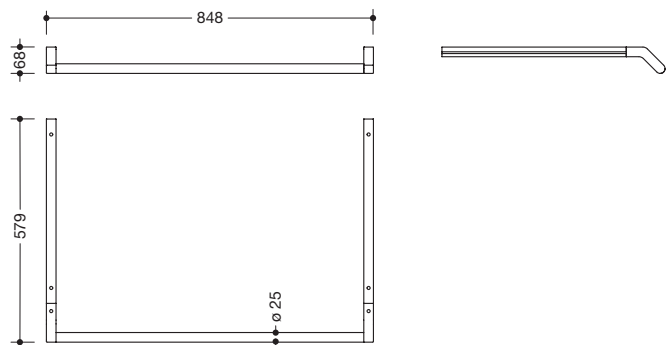
HEWI Washbasin profiles with support rail

- adaptive additional function for washbasin model 950.13.20..
- support rail can also be used as a towel holder
- 650 mm wide, rail \varnothing 25 mm, loading capacity up to 80 kg
- rail made of high-quality stainless steel, powder-coated in desired colour
- mounted under the washbasin using two profiles
- including non-corrosive HEWI fixing material

Ordering information: item number, desired colour shade glossy or matt



950.13.0022 ZB



HEWI Washbasin profiles with support rail

- adaptive additional function for washbasin model 950.13.30..
- support rail can also be used as a towel holder
- 848 mm wide, rail \varnothing 25 mm, loading capacity up to 80 kg
- rail made of high-quality stainless steel, powder-coated in desired colour
- mounted under the washbasin using two profiles
- including non-corrosive HEWI fixing material

Ordering information: item number, desired colour shade glossy or matt



HEWI Powder coating | Surfaces

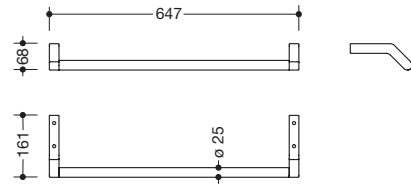
- **Desired colour shade** (RAL Classic, RAL Design plus or Pantone palette (Fashion, Home + Interiors Color Guide Book))
- **Glossy or matt**

Item Number

Dimensions in mm / Specification



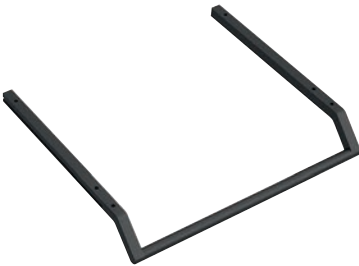
950.13.0023 ZB



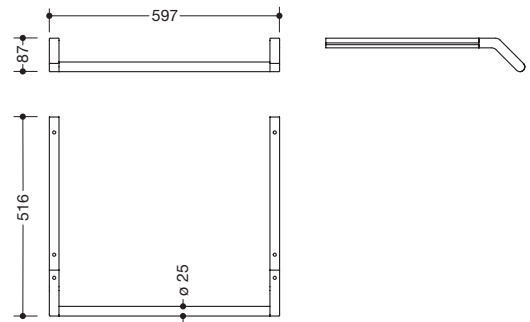
HEWI Washbasin support rail

- adaptive additional function for variable-length washbasin model 950.13.20...S
- support rail can also be used as a towel holder
- 647 mm wide, rail \varnothing 25 mm, loading capacity up to 80 kg
- rail made of high-quality stainless steel, powder-coated in desired colour

Ordering information: item number, desired colour shade glossy or matt



950.13.0024 ZB



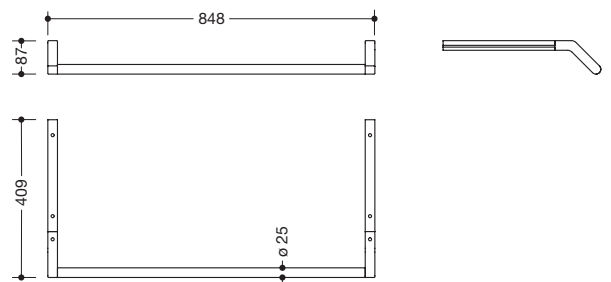
HEWI Washbasin profiles with support rail

- adaptive additional function for washbasin model 950.11.12...
- support rail can also be used as a towel holder
- 597 mm wide, rail \varnothing 25 mm, loading capacity up to 80 kg
- rail made of high-quality stainless steel, powder-coated in desired colour
- mounted under the washbasin using two profiles
- including non-corrosive HEWI fixing material

Ordering information: item number, desired colour shade glossy or matt



950.13.0025 ZB



HEWI Washbasin profiles with support rail

- adaptive additional function for washbasin model 950.11.22...
- support rail can also be used as a towel holder
- 848 mm wide, rail \varnothing 25 mm, loading capacity up to 80 kg
- rail made of high-quality stainless steel, powder-coated in desired colour
- mounted under the washbasin using two profiles
- including non-corrosive HEWI fixing material

Ordering information: item number, desired colour shade glossy or matt

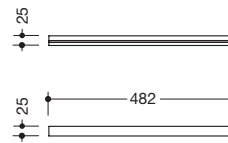


Item Number

Dimensions in mm / Specification



950.13.0009 ZB



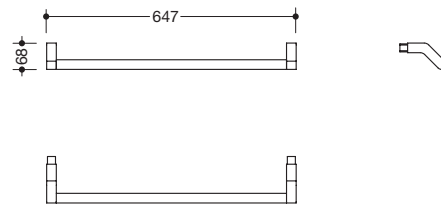
HEWI Washbasin profile with cap

- can be mounted under washbasin models 950.13.20... and 950.13.30...
- hooks and shelves can easily be inserted and removed using the profile on the washbasin
- 482 mm long, □ 25 x 25 mm
- made of aluminium, powder-coated in desired colour
- including non-corrosive HEWI fixing material

Ordering information: item number, desired colour shade glossy or matt



950.13.0021 ZB



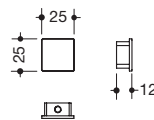
HEWI Washbasin support rail

- adaptive additional function for washbasin model 950.13.20..
- support rail can also be used as a towel holder
- 647 mm wide, rail ø 25 mm
- made of high-quality stainless steel, powder-coated in desired colour
- loading capacity up to 80 kg
- mounted under the washbasin using two profiles 950.13.0009

Ordering information: item number, desired colour shade glossy or matt



950.13.0020 ZB



HEWI Profile cap

- end cap for washbasin profile 950.13.0009 and wall profiles
- □ 25 x 25 mm
- made of aluminium, powder-coated in desired colour

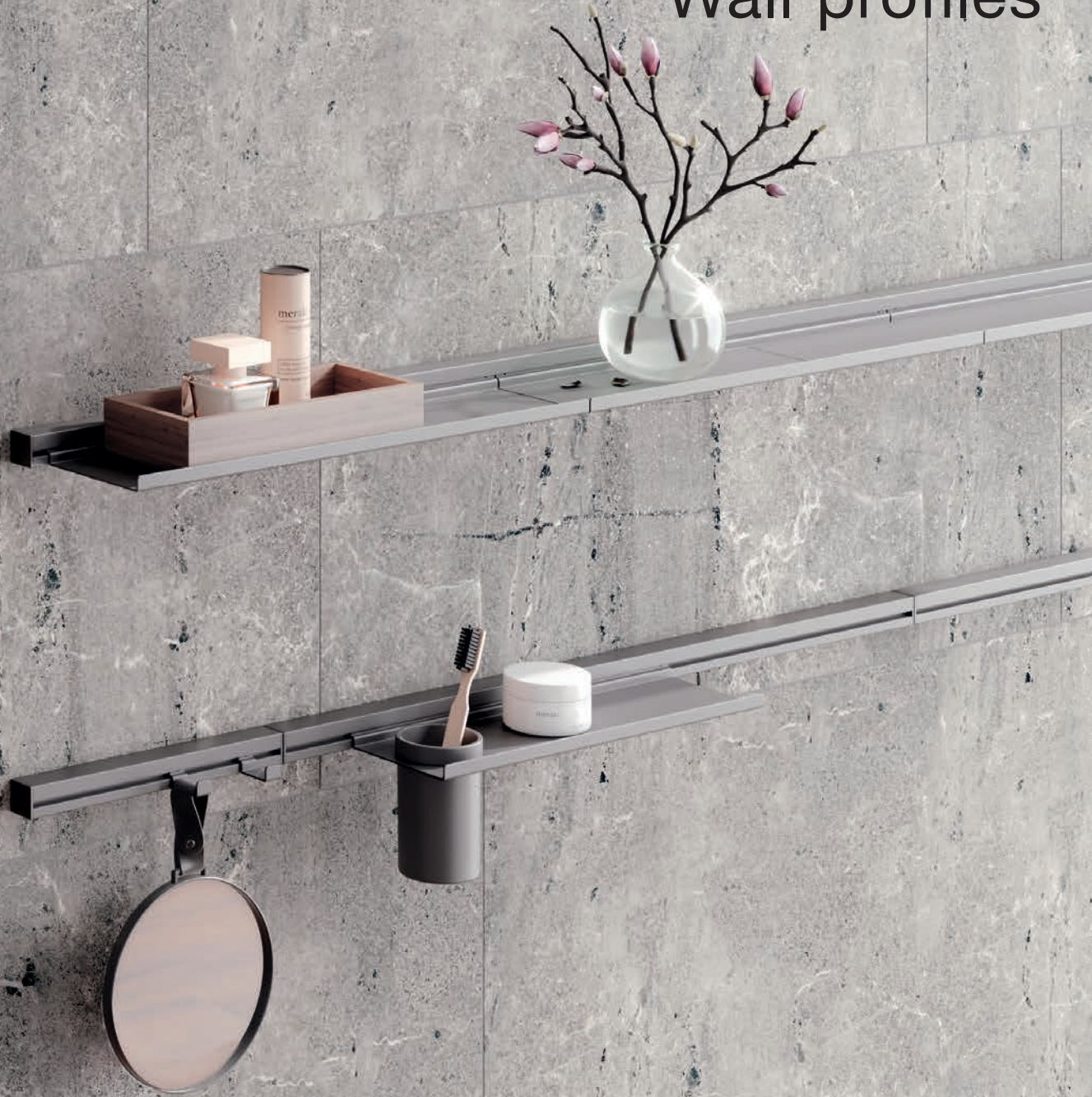
Ordering information: item number, desired colour shade glossy or matt



HEWI Powder coating | Surfaces

- Desired colour shade** (RAL Classic, RAL Design plus or Pantone palette (Fashion, Home + Interiors Color Guide Book))
- Glossy or matt**

Wall profiles

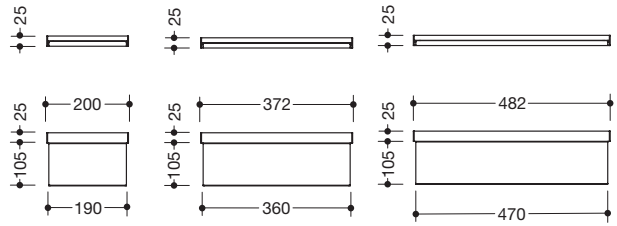


Item Number

Dimensions in mm / Specification



950.13.0029 ZB
950.13.0030 ZB
950.13.0031 ZB



HEWI Wall profile with shelf

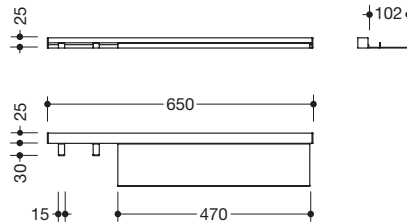
- additional gain of storage space on the wall
- shelf can easily be inserted and removed using the profile
- 102 mm deep, loading capacity up to 2 kg
- shelf made of high-quality stainless steel and wall profile made of aluminium, powder-coated in desired colour
- including non-corrosive HEWI fixing material

- shelf: 190 mm wide
- shelf: 360 mm wide
- shelf: 470 mm wide

Ordering information: item number, desired colour shade glossy or matt



950.13.0032 ZB



HEWI Wall profile with shelf and 2 hooks

- additional gain of storage space on the wall
- shelves and hooks can easily be inserted and removed using the profile
- shelf: 470 mm wide, 102 mm deep
- hook: 15 mm wide
- loading capacity up to 2 kg
- shelf/hooks made of high-quality stainless steel and wall profile made of aluminium, powder-coated in desired colour
- including non-corrosive HEWI fixing material

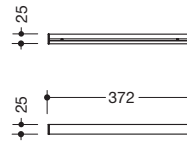
Ordering information: item number, desired colour shade glossy or matt

HEWI Powder coating | Surfaces

Desired colour shade (RAL Classic, RAL Design plus or Pantone palette (Fashion, Home + Interiors Color Guide Book))
Glossy or matt

Item Number

Dimensions in mm / Specification

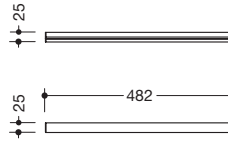


950.13.0010 ZB

HEWI Wall profile with caps

- for wall mounting
- hooks and shelves can easily be inserted and removed using the profile, suitable for shelf 360 mm or hooks
- 372 mm long, □ 25 x 25 mm
- made of aluminium, powder-coated in desired colour
- including non-corrosive HEWI fixing material

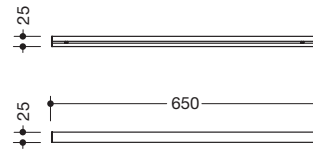
Ordering information: item number, desired colour shade glossy or matt



950.13.0011 ZB

HEWI Wall profile with caps

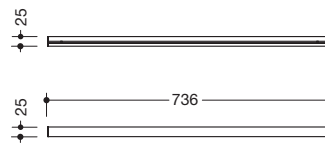
- do., suitable for shelves 360 mm and 470 mm, hooks or shelf 360 mm combined with hooks
- 482 mm long



950.13.0033 ZB

HEWI Wall profile with caps

- do., suitable for shelves 360 mm and 470 mm, hooks or shelves 360 mm or 470 mm each combined with hooks
- 650 mm long



950.13.0012 ZB

HEWI Wall profile with caps

- do., suitable for shelves 360 mm and 470 mm, hooks or two shelves 360 mm combined
- 736 mm long

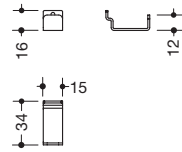


Item Number

Dimensions in mm / Specification



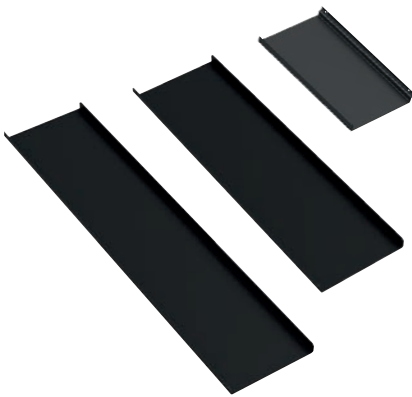
950.13.0013 ZB



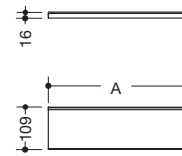
HEWI Hook

- adaptive additional functions for washbasin profiles 950.13.0001 and 950.13.0009 or wall profiles 950.13.001..
- hook can easily be inserted and removed in the profile
- 15 mm wide, 34 deep
- made of high-quality stainless steel, powder-coated in desired colour
- loading capacity up to 2 kg

Ordering information: item number, desired colour shade glossy or matt



950.13.0028 ZB
950.13.0014 ZB
950.13.0017 ZB

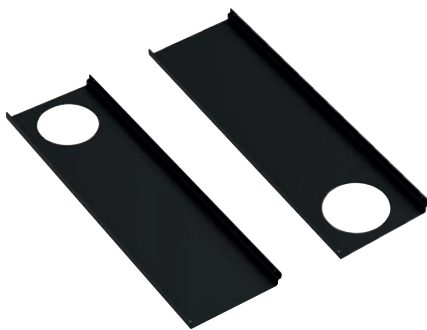


HEWI Shelf

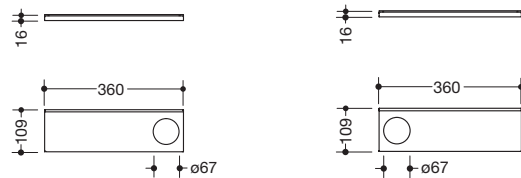
- adaptive additional function for washbasin profiles and wall profiles
- shelf can easily be inserted and removed in the profile
- made of high-quality stainless steel, powder-coated in desired colour
- loading capacity up to 2 kg

- shelf: 190 mm wide, 109 mm deep
- shelf: 360 mm wide, 109 mm deep
- shelf: 470 mm wide, 109 mm deep

Ordering information: item number, desired colour shade glossy or matt



950.13.0015 ZB
950.13.0016 ZB



HEWI Shelf with hole

- adaptive additional function for washbasin profiles 950.13.0001 and 950.13.0009 or wall profiles 950.13.001..
- shelf can easily be inserted and removed in the profile
- shelf: 360 mm wide, 109 mm deep
- hole for tumbler or soap dispenser system 800 K (see page 144)
- made of high-quality stainless steel, powder-coated in desired colour
- loading capacity up to 2 kg

- hole right
- hole left

Ordering information: item number, desired colour shade glossy or matt

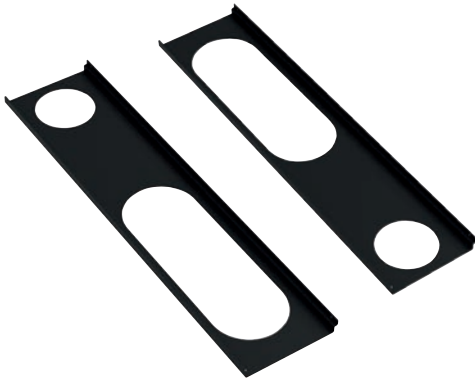


HEWI Powder coating | Surfaces

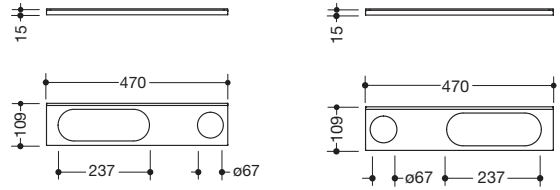
- **Desired colour shade** (RAL Classic, RAL Design plus or Pantone palette (Fashion, Home + Interiors Color Guide Book))
- **Glossy or matt**

Item Number

Dimensions in mm / Specification



950.13.0018 ZB
950.13.0019 ZB



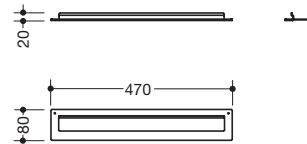
HEWI Shelf with hole and oblong hole

- adaptive additional function for washbasin profiles 950.13.0001 and 950.13.0009 or wall profiles 950.13.001..
- shelf can easily be inserted and removed in the profile
- shelf: 470 mm wide, 109 mm deep
- hole for tumbler or soap dispenser system 800 K, oblong hole for shower basket system 800 K (see page 144)
- made of high-quality stainless steel, powder-coated in desired colour
- loading capacity up to 2 kg
- hole right, oblong hole left
- hole left, oblong hole right

Ordering information: item number, desired colour shade glossy or matt



950.13.0026 ZB



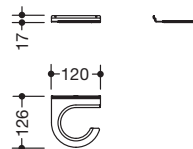
HEWI Towel rail

- adaptive additional function for washbasin profiles and wall profiles
- towel rail can easily be inserted and removed in the profile
- 470 mm wide, 80 mm deep
- made of aluminium, powder-coated in desired colour

Ordering information: item number, desired colour shade glossy or matt



950.13.0027 ZB



HEWI Walking aid holder

- adaptive additional function for washbasin profiles and wall profiles
- walking aid holder can easily be inserted and removed in the profile
- 120 mm wide, 126 mm deep, loading capacity up to 2 kg
- made of high-quality stainless steel, powder-coated in desired colour
- black rubber lip on the inside as edge protection

Ordering information: item number, desired colour shade glossy or matt



950.13.0020 ZB



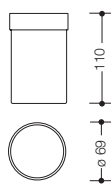
HEWI Profile cap

- end cap for washbasin profile 950.13.0009 and wall profiles
- 25 x 25 mm
- made of aluminium, powder-coated in desired colour

Ordering information: item number, desired colour shade glossy or matt

Item Number

Dimensions in mm / Specification



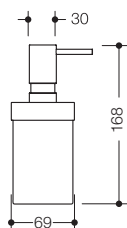
800.04.010
800.04B010

HEWI Tumbler

suitable for shelves with hole 950.13.00...

- cylindrical tumbler with flat bottom
- upper \varnothing 69 mm, 110 mm high
- made of high-quality polyamide in 16 HEWI colours
- made of high-quality matt polyamide in 6 HEWI colours

Ordering information: item number, HEWI colour



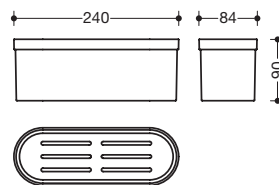
800.06.010
800.06B010

HEWI Soap dispenser

suitable for shelves with hole 950.13.00...

- upper \varnothing 69 mm, 170 mm high incl. pump
- pump made of metal, high-quality chrome-plated
- capacity approx. 200 ml
- made of high-quality polyamide in 16 HEWI colours
- made of high-quality matt polyamide in 6 HEWI colours

Ordering information: item number, HEWI colour



800.03.010
800.03B010

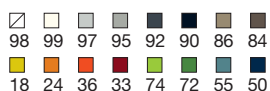
HEWI Insert

suitable for shelves with oblong hole 950.13.00...

- 240 mm long, 90 mm high, 84 deep
- made of high-quality polyamide in 16 HEWI colours
- made of high-quality matt polyamide in 6 HEWI colours

Ordering information: item number, HEWI colour

16 HEWI Colours



6 HEWI matt colours



HEWI

www.hewi.com

GERMANY

HEWI Heinrich Wilke GmbH
Postfach 1260
34442 Bad Arolsen
Phone: +49 5691 82-0
Fax: +49 5691 82-319
international@hewi.com

UNITED KINGDOM

HEWI (UK) Limited
Holm Oak Barn, Beluncle Halt
Stoke Road, Hoo
Rochester, Kent ME3 9NT
Phone: +44 1634 258200
Fax: +44 1634 250099
info@hewi.co.uk
www.hewi.co.uk