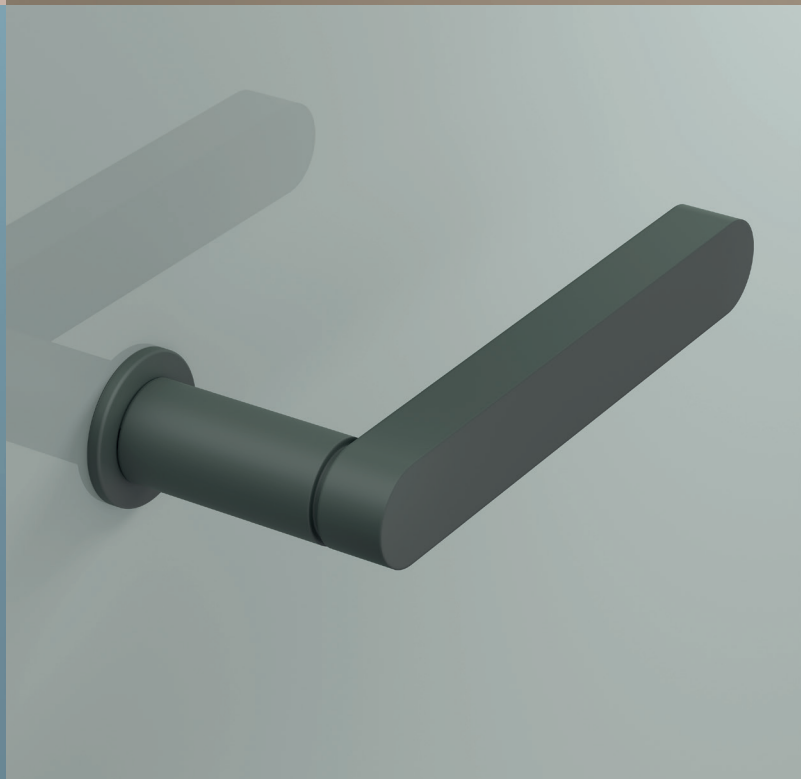
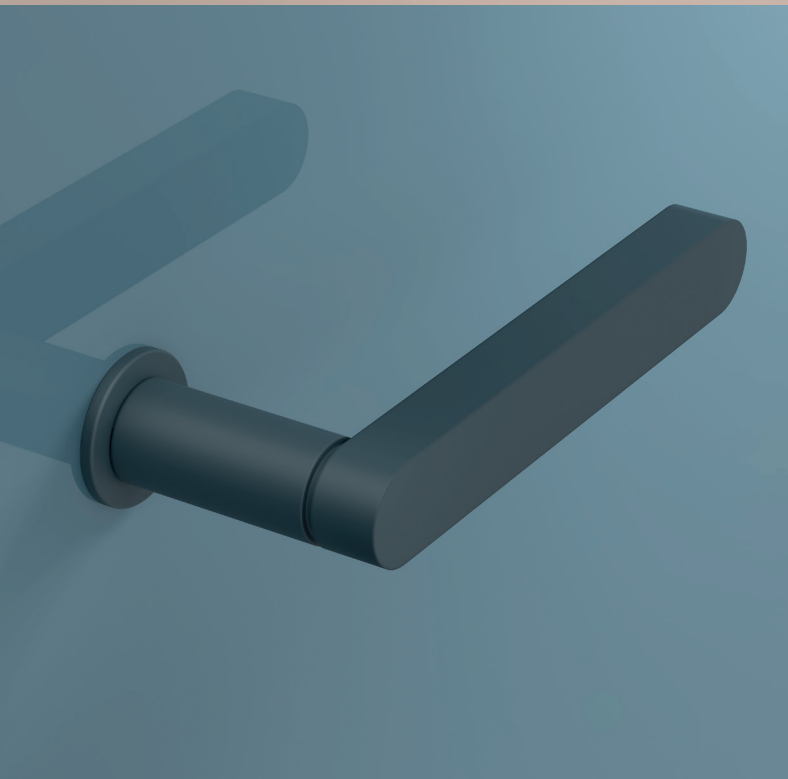
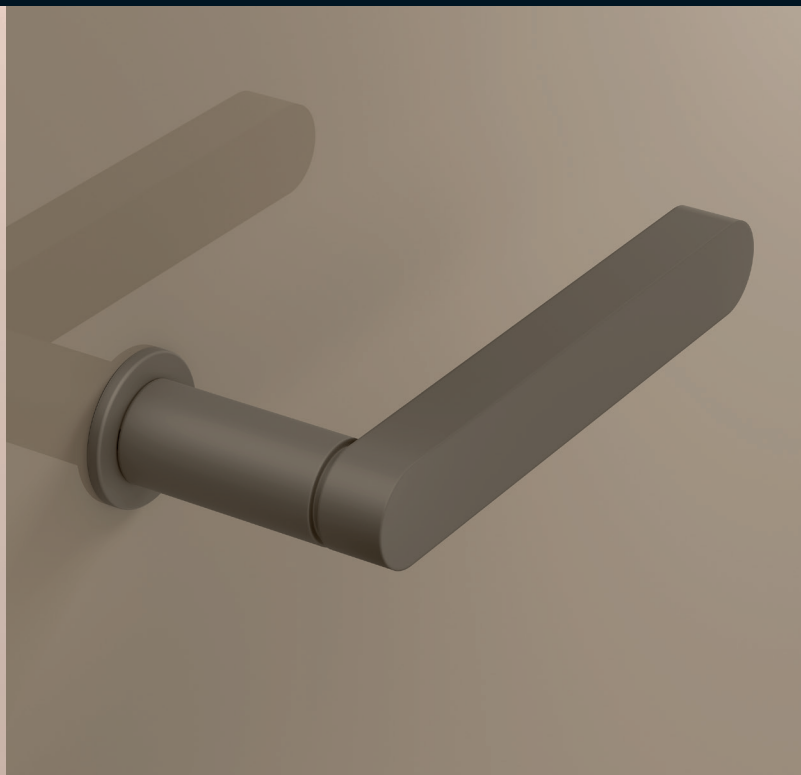
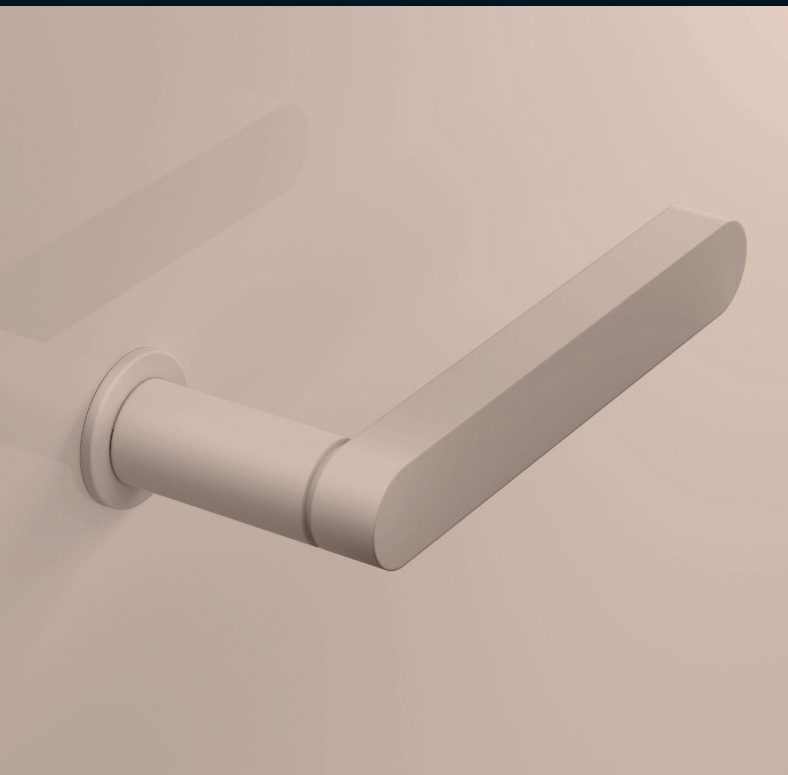
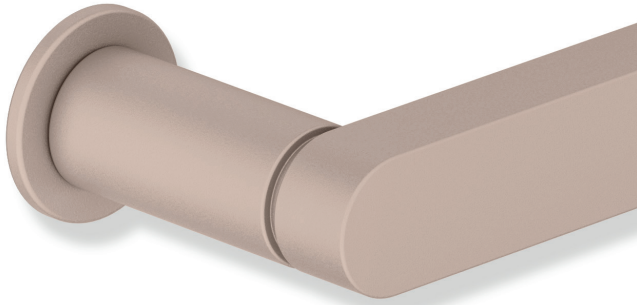


Special colours Hardware

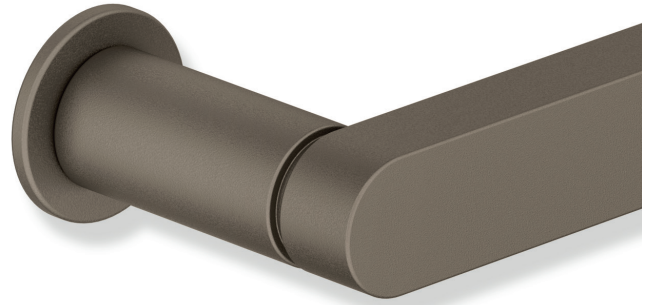
HEWI

Range 270
Range 270 mini

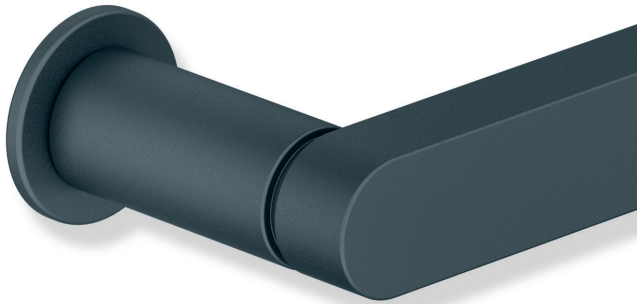




Faded
Cinder
Rose



Soothing
Cedar
Brown



Dark
Breeze
Blue



Somber
Sage
Green

CHOOSE YOUR OWN COLOUR

Special colour powder coating

HEWI is expanding its range of special surface colours for the project business. You can individually select your desired colour from the **RAL Classic**, **RAL Design plus** or **Pantone palette (Fashion, Home + Interiors Color Guide Book)** as well as from the four HEWI favourite colours (**Faded Cinder Rose**, **Soothing Cedar Brown**, **Somber Sage Green** and **Dark Breeze Blue**). Furthermore, the **surfaces matt** or **gloss** are available for selection.

Sample

HEWI samples your desired colour shade in advance. You will receive your desired colour on a sample plate (78 x 222 mm) for approval.

Service

If you have any questions, please get in touch with local contact or the HEWI Service Centre.

United Kingdom

Phone: +44 1634 258200

eMail: info@hewi.co.uk

International

Phone: +49 5691 82-0

eMail: international@hewi.com

www.hewi.com

BASIC COLOUR

Desired colour shade (RAL Classic, RAL Design plus, Pantone palette (Fashion, Home + Interiors Color Guide Book)) or the four HEWI favourite colours

SURFACES

Glossy
Matt

RANGE 270



Lever handle
Model 271X page 4



Lever handle
Model 272X page 5



Lever handle for framed
Model 273X page 6



Lever handle for framed
Model 274X page 7



RANGE 270 MINI



Lever handle
Model 270XPM page 10



Window handle | lockable
270XPG.1 page 11
270XPGA.1 page 11



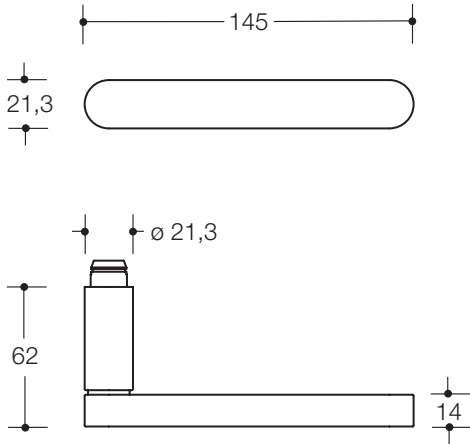
Order process

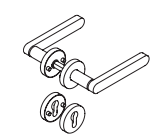
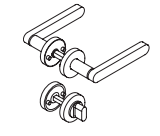
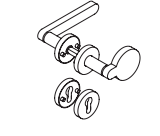


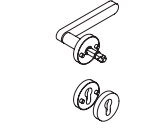

=

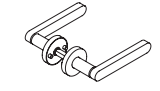
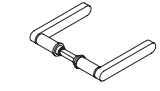
Powder coating
· **Specification of the colour value:** RAL Classic, RAL Design plus or Pantone palette (Fashion, Home + Interiors Color Guide Book) or the four HEWI favourite colours
· **Surface:** matt or glossy

Model 271XP H-technology



Model 271XP	Roses 305.21XP.. /306.23XP..
Standard door fitting / Fire door fitting class 4 class 4 F class 4 (with split spindle) F	 270XPH01.130 ZB 270XPH11.130 ZB 270XPH12.130 ZB
Vacant/engaged fitting class 4	 270XPH02.130 ZB
Vacant/engaged fitting with extended bar class 4 class 4 F	 270XPH03.136 ZB 270XPH13.136 ZB


Half fitting with security escutcheon according to DIN 18257 ES1 class 4	 270XPH22.130 ZB
Half fitting with security escutcheon according to DIN 18257 ES1 and cylinder cover class 4	 270XPH23.130 ZB

Glass lever handle class 4	 270XPG01.130 ZB	 270XPG01.100 ZB
--	--	--

ORDERING INFORMATION SPECIAL COLOUR

ORDERING INFORMATION

Material: Stainless steel, powder-coated

 **Desired colour shade** (RAL Classic, RAL Design plus, Pantone palette (Fashion, Home + Interiors Color Guide Book) or the four HEWI favourite colours)
Glossy or matt

Item number, Desired colour

Square

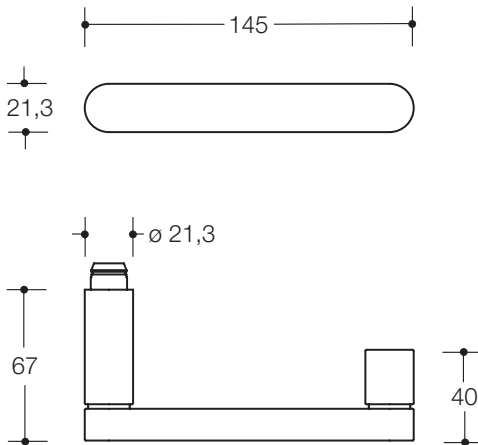
Door thickness







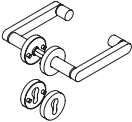
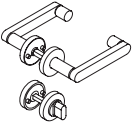




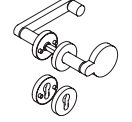
Keyway

If applicable emergency release (wc)

Further fitting-variations can be assembled from separate components
pages 8-9

Model 272XP H-technology




Model 272XP	Roses 305.21XP.. /306.23XP..
Standard door fitting / Fire door fitting class 4   class 4   class 4 (with split spindle)  	 270XP01.230 ZB 270XP11.230 ZB 270XP12.230 ZB
Vacant/engaged fitting class 4	 270XP02.230 ZB
Vacant/engaged fitting with extended bar class 4   class 4  	 270XP03.236 ZB 270XP13.236 ZB

ORDERING INFORMATION SPECIAL COLOUR

ORDERING INFORMATION

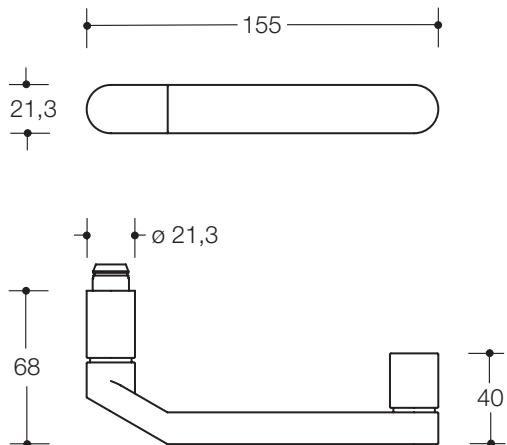
Material: Stainless steel, powder-coated







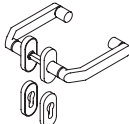




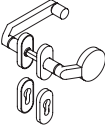




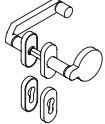





 **Desired colour shade** (RAL Classic, RAL Design plus, Pantone palette (Fashion, Home + Interiors Color Guide Book) or the four HEWI favourite colours)
Glossy or matt

Item number, Desired colour
Square
Door thickness
Keyway
If applicable emergency release (wc)

Further fitting-variations can be assembled from separate components
pages 8-9

Model 273XP H-technology




Model 273XP	Roses 315.21XP/316XP...
Framed door fitting / Framed fire door fitting class 4   class 4   class 4 (with split spindle)  	 270XP01.340 ZB 270XP11.340 ZB 270XP12.340 ZB
Apartment door fitting / Apartment fire door fitting class 4   class 4  	 270XP03.347 ZB 270XP13.347 ZB
Apartment door fitting / Apartment fire door fitting class 4   class 4  	 270XP03.346 ZB 270XP13.346 ZB
Fitting for framed doors / Fire door fitting for framed doors class 4   class 4  	 270XP51.340 ZB 270XP52.340 ZB

ORDERING INFORMATION SPECIAL COLOUR

ORDERING INFORMATION

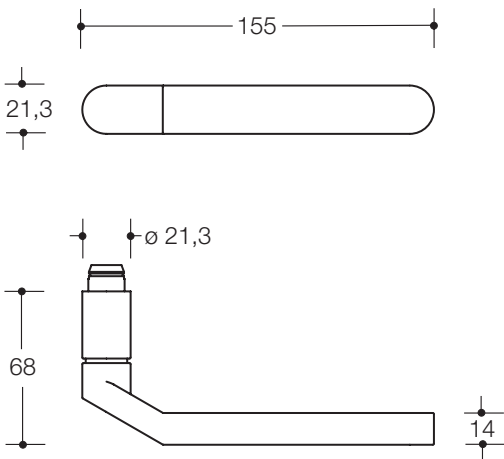
Material: Stainless steel, powder-coated

 **Desired colour shade** (RAL Classic, RAL Design plus, Pantone palette (Fashion, Home + Interiors Color Guide Book) or the four HEWI favourite colours)
Glossy or matt

Item number, Desired colour
Square
Door thickness
Keyway

Further fitting-variations can be assembled from separate components
pages 8-9

Model 274XP H-technology



Model 274XP	Roses 315.21XPH/316XP...
Framed door fitting / Framed fire door fitting	
class 4	270XPH01.440 ZB
class 4 F	270XPH11.440 ZB
class 4 (with split spindle) F	270XPH12.440 ZB
Apartment door fitting / Apartment fire door fitting	
class 4	270XPH03.447 ZB
class 4 F	270XPH13.447 ZB
Apartment door fitting / Apartment fire door fitting	
class 4	270XPH03.446 ZB
class 4 F	270XPH13.446 ZB
Fitting for framed doors / Fire door fitting for framed doors	
class 4	270XPH51.440 ZB
class 4 F	270XPH52.440 ZB

ORDERING INFORMATION SPECIAL COLOUR

ORDERING INFORMATION

Material: Stainless steel, powder-coated

Desired colour shade (RAL Classic, RAL Design plus, Pantone palette (Fashion, Home + Interiors Color Guide Book) or the four HEWI favourite colours)

Glossy or matt

Item number, Desired colour

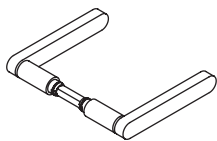
Square

Door thickness

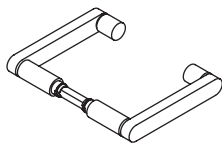
Keyway

Further fitting-variations can be assembled from separate components
pages 8-9

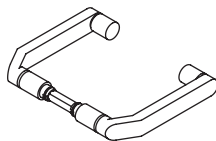
LEVER HANDLES



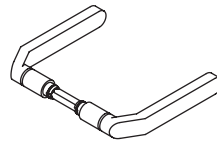
Lever handle
H-technology, class 4
271XPH ZB
271XPHLT ZB



Lever handle
H-technology, class 4
272XPH ZB
272XPHLT ZB



Lever handle for framed
H-technology, class 4
273XPH ZB
273XPHLT ZB



Lever handle for framed
H-technology, class 4
274XPH ZB
274XPHLT ZB

ROSES



Rose
H-technology, class 4
305.21XPH ZB F
305.21XPHKN ZB F
305.21XPHLN ZB F



Rose
for glass doors
305.21XPHGL ZB



Escutcheon
306.23XP ZB
306.23XPKN ZB
306.23XPLN ZB
306.23XPFS ZB F
306.23XPFSKN ZB F
306.23XPFSLN ZB F



Rose with turn knob
306XPNRHT ZB
306XPNRHTKN ZB
306XPNRHTLN ZB

SECURITY ESCUTCHEONS



Security escutcheon
306.23XPES ZB F
306.23XPESLN ZB F
306.23XPESRC ZB F
(ES1)



Security escutcheon
with cylinder cover
306.23XPESZ ZB F
306.23XPESZLN ZB F
306.23XPESZRC ZB F
(ES1)



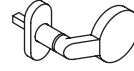
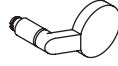
Security escutcheon
316XPES ZB F
316XPESLN ZB F



Security escutcheon
with cylinder cover
316XPESZ ZB F
316XPESZLN ZB F

KNOBS

ORDERING
INFORMATION
LEVER HANDLES |
KNOBS



Knob, female part
H-technology, class 4
276XPHLT ZB

Knob, male part, fixed
H-technology, class 4
270XPH53.036 ZB
with round rose 305.21XP...

Knob, female part
H-technology, class 4
277XPHLT ZB

Knob, male part, fixed
H-technology, class 4
270XPH53.047 ZB
with oval rose 315.21XP...

Item number
Desired colour
Square
Door thickness

ROSES FOR FRAMED DOORS

ORDERING
INFORMATION
ROSES



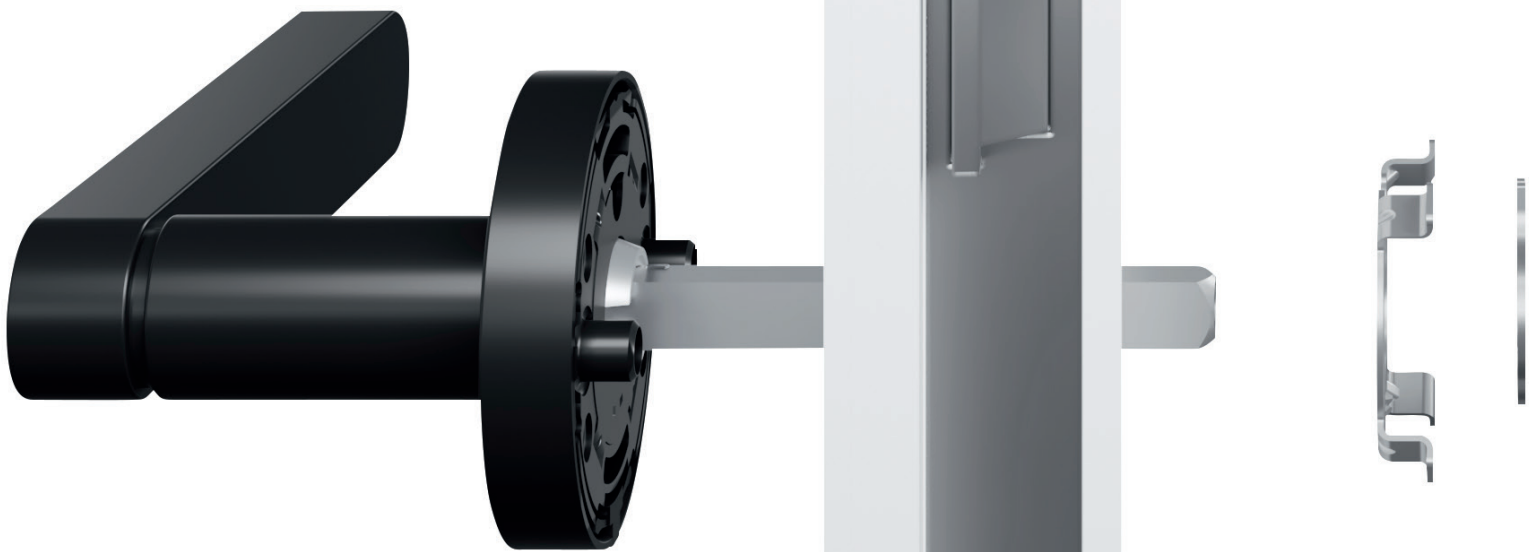
Rose
H-technology, class 4
315.21XPH ZB F
315.21XPHKN ZB F

Escutcheon
316XPH ZB
316XPHKN ZB
316XPHFS ZB F
316XPHFSKN ZB F

Item number
Desired colour
Door thickness
Keyway
If applicable emergency
release (wc)

ORDERING
INFORMATION
SECURITY
ESCUTCHEONS

Item number
Desired colour
Door thickness
Keyway



Functional aspects

Specification for tender

1 Category of use	class 2/4
2 Durability	class 7
3 Door weight	no classification specified
4 Fire resistance	class 0, optional class B1 or D1
5 Safety	class 1
6 Corrosion resistance	class 5
7 Anti-burglary protection	class 0
8 Design type	A

Examples:

Door fitting with 7 mm spindle:

2 7 - 0 1 5 0 A

Door fitting with 8 or 8,5 mm spindle:

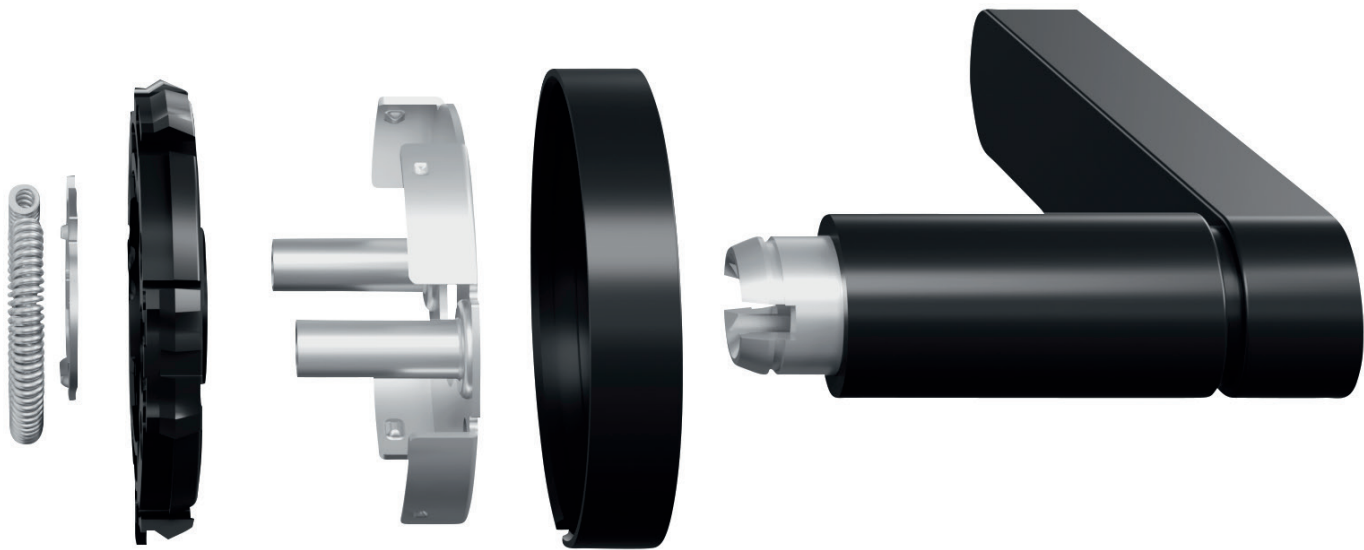
4 7 - 0 1 5 0 A

Fire protective fitting with 9 mm spindle:

4 7 - B1 1 5 0 A **F**

H-technology | Stainless steel

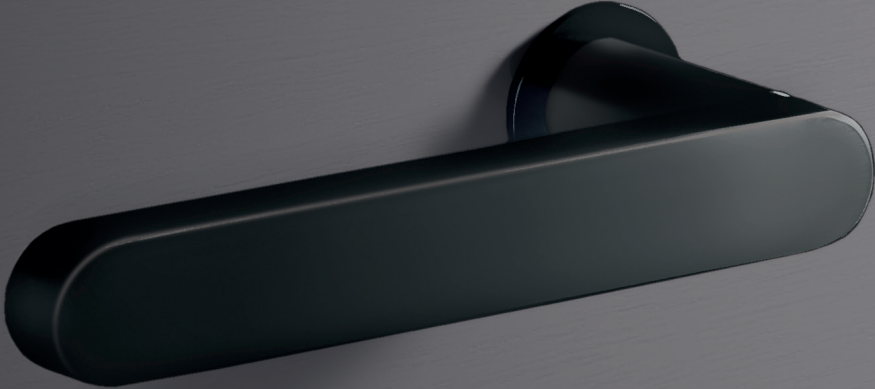
Category of use 4



Frequently used doors in public buildings | Vandalism

- Tested and certified for over 1.000.000 movement cycles
- Suitable for the projects segment (non-private housing) to DIN 18255 and EN 1906
- Fast installation (lever handles are latched into the bottom sections already mounted on the door)
- Non-loosening, concealed screw fastening with sleeved screws and support lugs
- M5 setscrews
- 5 mm bearing point as maintenance free plain bearing
- Support module can be used on left and right
- Fixed rotating bearing with self-latching locking system and additional grubscrew connection
- Corrosion resistance
- Fire door fittings to DIN 18273 available **F**

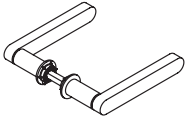
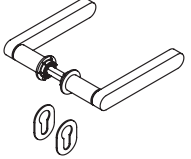
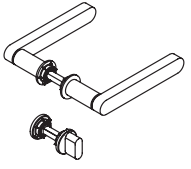
Special colours
mini | Window handles

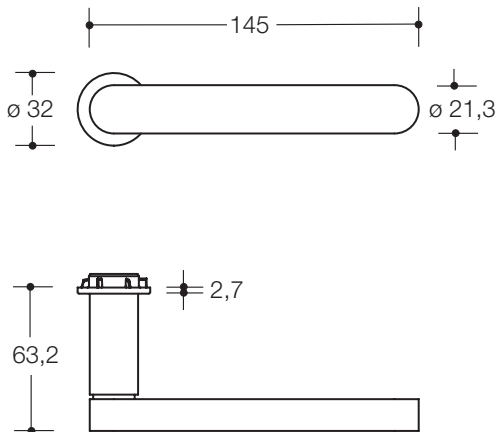




Model 270XPM



Model 270XPM	mini roses stainless steel, powder-coated in desired colour
Standard door fitting without escutcheons	
class 4	270XPM06.130 ZB
Standard door fitting	
class 4	270XPM01.130 ZB
Vacant/engaged fitting	
class 4	270XPM02.130 ZB



BB


PZ

Escutcheon (adhesive mounting)
for standard door fittings,
powder-coated in desired colour
306XPM ZB

Rose with turn knob | M, FBM
(emergency opening coins)
for vacant/engaged fittings,
powder-coated in desired colour
306XPMNRHT ZB

ORDERING INFORMATION SPECIAL COLOUR

Material: Stainless steel, powder-coated

 **Desired colour shade** (RAL Classic, RAL Design plus, Pantone palette (Fashion, Home + Interiors Color Guide Book) or the four HEWI favourite colours)
Glossy or matt

ORDERING INFORMATION

mini is available with 8 mm and 8,5 mm square spindle for doors from 38.1 to 78 mm thick.

Item number, Desired colour

Square

Door thickness

If applicable keyway (BB, PZ)

If applicable emergency release (M, FBM)

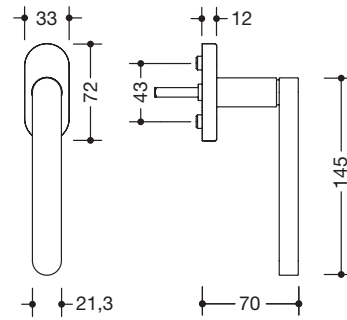
EMERGENCY RELEASES

M
without indicator

FBM
with indicator

Item number

Dimensions in mm / Specification

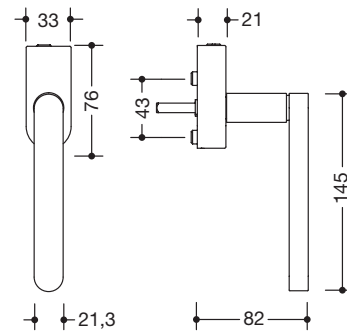


270XPG.1 ZB

HEWI Window handle

- made of stainless steel, powder-coated in desired colour
- handle-neck \varnothing 21,3 mm
- lever held by spring clip at 90°, mounted on oval rose
- with support cams concealed screw mounting
- screw hole spacing 43 mm, with 7 mm square spindle
- supplied without fixing screws

Available with 45° stop for night ventilation on request



270XPFGA.1 ZB*

HEWI Window handle

- lockable
- made of stainless steel, powder-coated in desired colour
- handle-neck \varnothing 21,3 mm, lever held by spring clip at 90°
- backplate with steel body and alignment lugs, fixing screws protected against unauthorized removal, snap on cover
- screw hole spacing 43 mm, with 7 mm square spindle
- with special screws M5 and wood screws
- cylinder with 5 pins, lockable in all positions

ORDERING INFORMATION

If only the article number is given in the order, we assume the following standard option:

Item number, Desired colour

Spindle length: advice protruding spindle length

Type of locking: various locking type

Keying number: e.g. expansion of existing buildings

1. Window handle (standard) „...FG...“ :

preceding spindle length = 30 mm, latching = 90°

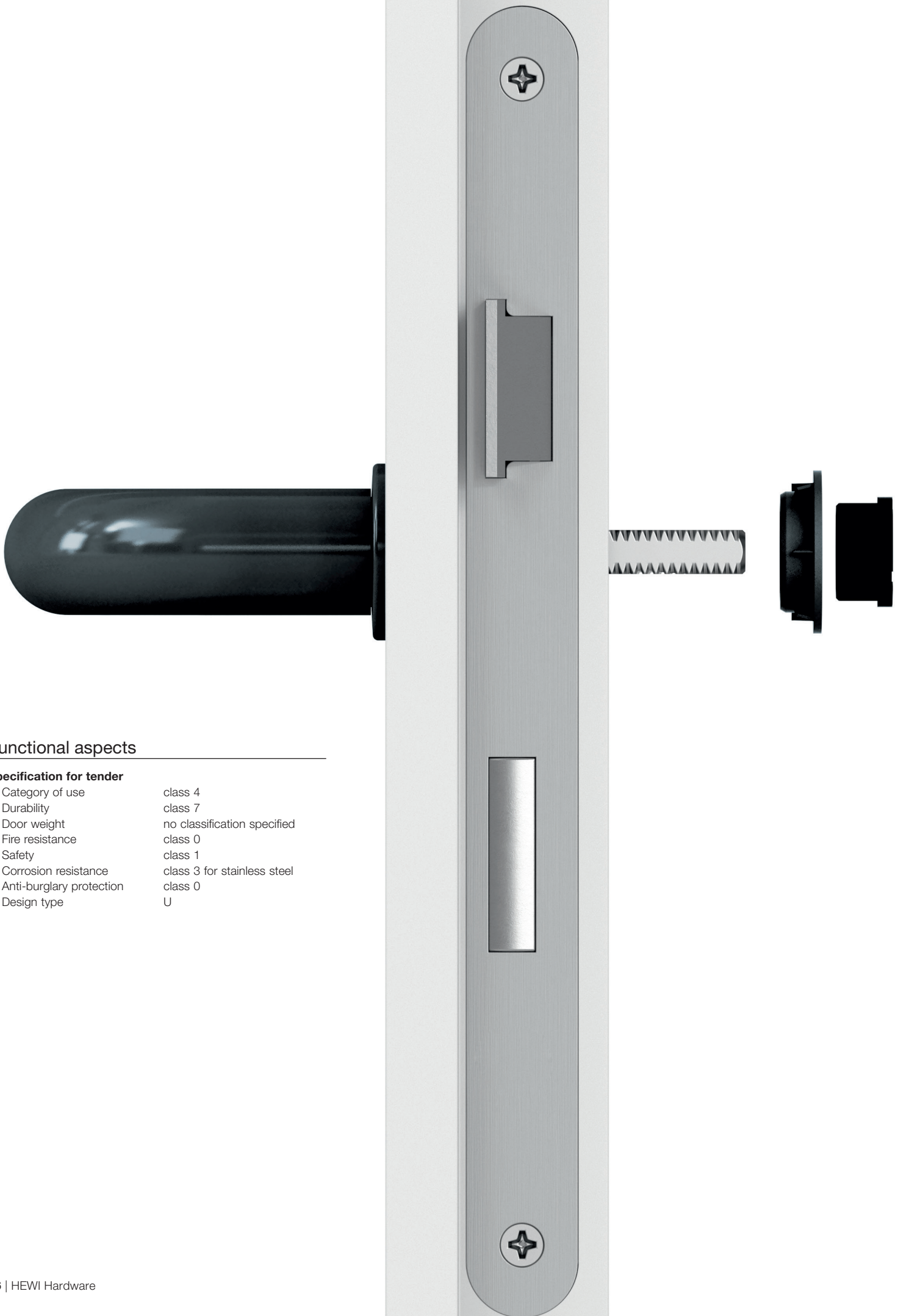
2. Window handle lockable „...FGA...“ :

preceding spindle length = 30 mm, latching = 90°,

Type of locking = keyed alike,

Keying number = freely selectable

* Tested to EN 13126 Part 3, fulfil the requirements of EN 1627-1630 for grade RC1-RC6 window elements.



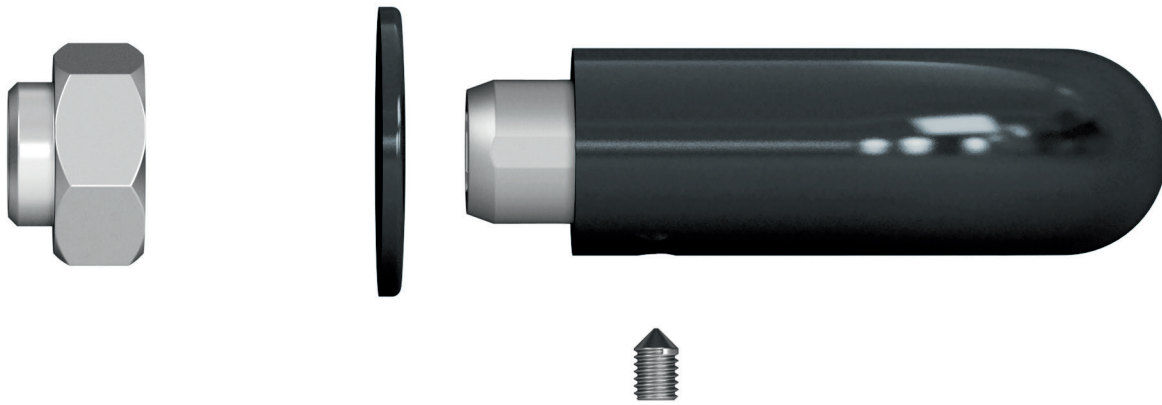
Functional aspects

Specification for tender

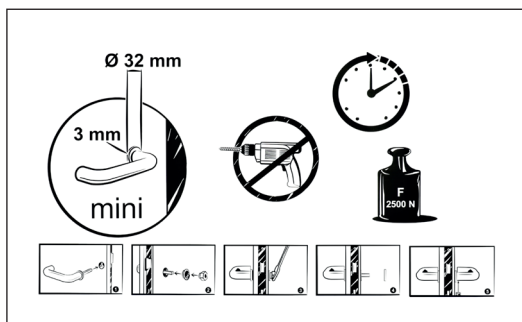
1 Category of use	class 4
2 Durability	class 7
3 Door weight	no classification specified
4 Fire resistance	class 0
5 Safety	class 1
6 Corrosion resistance	class 3 for stainless steel
7 Anti-burglary protection	class 0
8 Design type	U

Installation concept mini

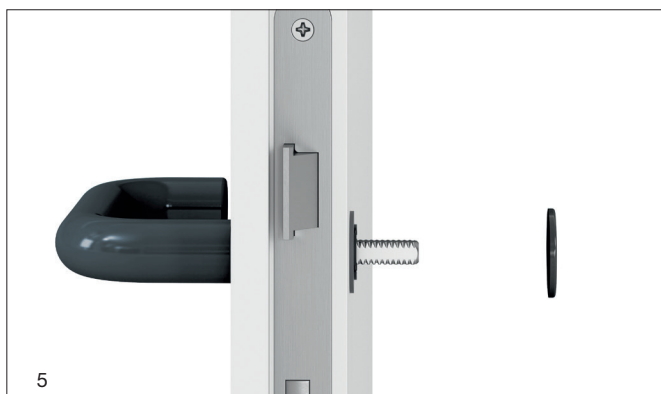
Innovative technology



- HEWI patent
- Suitable for contract use according to EN 1906, category of use 4
- With 1,000,000 tested cycles of use, mini is certified for durable and reliable quality
- For interior and residential doors in the private sector
- For doors in office and commercial buildings
- The innovative press-fit bearing is permanently connected to the door
- Alignment inaccuracies are compensated for during assembly
- Cover roses are pressed on and are interchangeable
- Can be combined with all commercially available locks



Unique fixing Clever mounting technology



1. On rebated doors, insert the mounting wedge between the lock and cutout hole.
2. The preassembled lever spindle part with press-in bearing is pushed through the lock follower.
3. The press-in bearing on the other side is screwed into the door leaf with a nut, which serves as a mounting aid, and a ring spanner AF 19.

4. As a result the press-in bearings press themselves into the door leaf. The mounting aid (nut) can now be removed.
5. The press-in bearing is concealed by a mini rose.
6. The second lever handle is then pushed onto the spindle and is fixed with a setscrew.

The installation film on our website shows you how easy it is to install mini.
www.hewi.com

Technical requirements

Conditions for mounting mini

Door structure

Mounting is possible on both non-rebated and rebated doors. mini is recommended on residential and office building internal doors made of hollow core particleboard, with a solid particleboard insert or of a higher quality.

Please note that we only recommend mounting to door elements tested by HEWI. Also, mini can be fitted to non-tested door elements. However, in this case, HEWI cannot guarantee flawless mounting and permanent fitness of use.

An up-to-date list of the tested door models can be found on our website at www.hewi.com/en/mini.

Cut size | Lever handle

The cut size (hole size) in the area of the lock follower must have a nominal size of 25 mm. Production tolerances of ± 1 mm can be levelled out by the press-in bearing.

Cut size | Euro cylinder or warded mortise

The cut size in the area of the escutcheons (euro cylinder/warded mortise) may be 25 x 40 mm maximum ± 1 mm.

Cut size | Rose with turn knob

The cut size for mounting roses with a knob must have a nominal size of 25 mm ± 1 mm

Square spindle dimensions

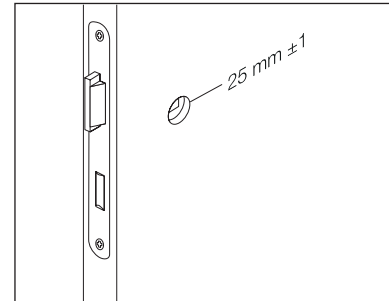
mini is available with a square 8 mm and square 8.5 mm, and with a lock square 7 mm for door thicknesses ranging from 38.1 mm to 78 mm.

Area of use

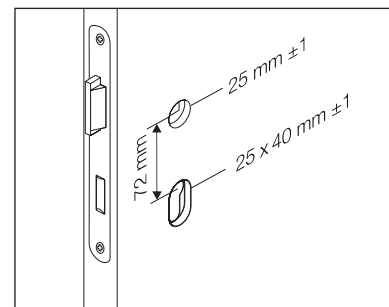
mini fulfils the EN 1906 requirements for category of use 4. mini can be used wherever internal doors are used with low to medium frequency. mini is not suitable for use on doors with functions such as fire protection, smoke control, burglar resistance, wet-room use or radiation protection. With more than 1 million tested use cycles, an independent test institute has certified the permanently reliable quality of mini.

Design planning and advice

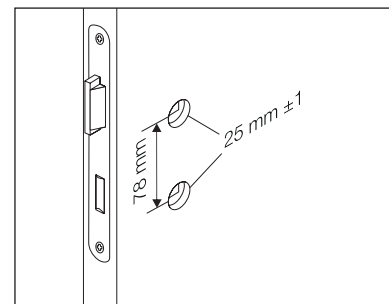
We would be pleased to advise you in person. Please contact our support team if you have any questions. You can reach them by phone, on +49 5691 82-300, or by email, at international@hewi.com



Cut size | Standard door



Cut size | Euro cylinder or warded mortise



Cut size | Rose with turn knob

HEWI

www.hewi.com

GERMANY

HEWI Heinrich Wilke GmbH
Postfach 1260
34442 Bad Arolsen
Phone: +49 5691 82-0
Fax: +49 5691 82-319
international@hewi.com

UNITED KINGDOM

HEWI (UK) Limited
Holm Oak Barn, Beluncle Halt
Stoke Road, Hoo
Rochester, Kent ME3 9NT
Phone: +44 1634 258200
Fax: +44 1634 250099
info@hewi.co.uk
www.hewi.co.uk