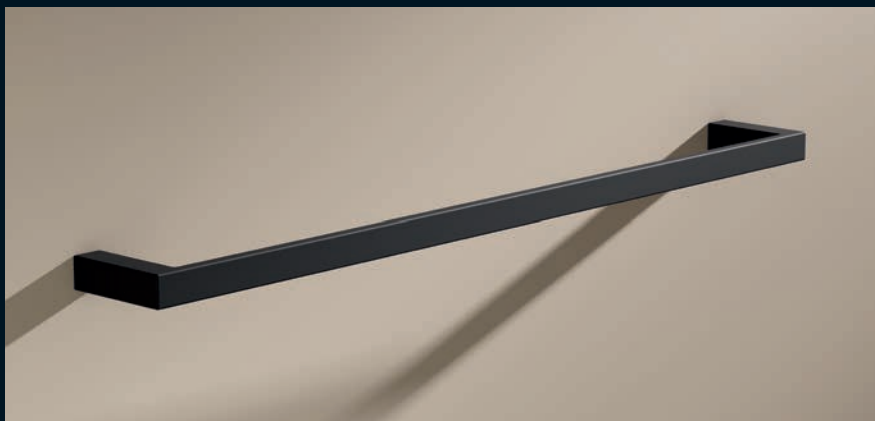
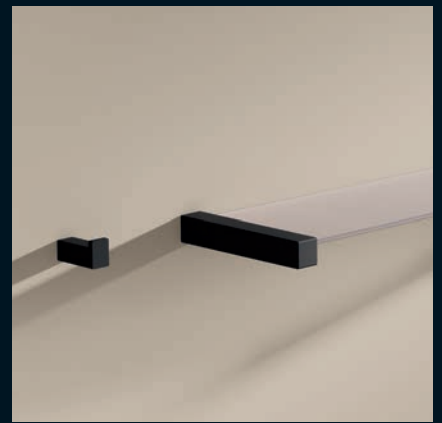


# Sanitary | USA 2023/24

# HEWI

Design  
Comfort  
Care





<b>System 900 Q</b> <b>New</b>	<b>3</b>	<b>Range 477/801 ICONIC</b> <b>New</b>	<b>125</b>	<b>System 100</b>	<b>255</b>
Product range Public	4 – 5	Color combinations	126 – 131	Product range	257
Product range Home, Hotel	6 – 7	Product range	132 – 135	Accessories	258 – 262
Accessories		Accessories			
Basin area	8 – 12	Basin area	138 – 157		
Toilet area	13 – 16	Toilet area	158 – 164	<b>System 800</b> <b>New</b>	<b>265</b>
Shower and bath area	17	Shower and bath area	153 – 157	Product range	267
Spare parts	18 – 19			Accessories	268 – 275
		Accessibility   Support			
<b>System 900</b>	<b>21</b>	Swing-up grab bars	166 – 168		
Surfaces and material combinations	22 – 23	Upgrade kit toilet roll holder	169	<b>Mirrors   Washbasins</b>	<b>277</b>
Product range accessories	24 – 25			Product range	278 – 279
Product range accessibility	26 – 27	Accessibility   Grip			
Accessories		Grab bars	170 – 171	Mirrors	
Features accessories	28 – 29	Grab bars with shower head holder	172 – 175	Mirrors	281 – 283
Basin area	30 – 45	Grab bars with sideways adjustable vertical support bar a. shower head holder	176 – 177	Adjustable mirrors	284 – 285
Toilet area	46 – 51			Cosmetic mirror	286
Shower and bath area	52 – 59	Accessibility   Sit			
Accessibility   Support		Folding shower seats	178 – 180	Washbasins	
Features swing-up grab bars	60 – 61			Washbasins with gushing edge	288
Swing-up grab bars	62 – 69	Additional products	181 – 183	Washbasins with overflow	288 – 290
Mobile swing-up grab bars	70 – 73	Spare parts	184 – 187	Dementia-washbasin	290
Swing-up grab bar	75			Washbasins, variable length	291 – 297
		<b>Range 477/801</b>	<b>189</b>	Modular washbasin system	298 – 303
Accessibility   Grip		Product range accessories	190 – 191	Washbasin sets	304 – 310
Features shower grab rails	76 – 77	Product range accessibility	192 – 193	Wall profiles, inserts	311 – 315
Grab bars	78				
Shower grab rails	79	Accessories		<b>Coat hangers</b>	<b>316</b>
Grab bars with shower head holder	80 – 81	Basin area	195 – 209	Coat and trouser hangers	317
Grab bars with sideways adjustable vertical support bar and shower head holder	82 – 87	Toilet area	210 – 217		
		Shower and bath area	218 – 222	<b>Cabinet hardware</b>	<b>319</b>
Accessibility   Sit				Product range	320 – 321
Features hinged seats	88 – 89	Accessibility   Sit		Furniture handles	322 – 329
Folding shower seats	90 – 91	Rectangular folding shower seats	224 – 225	Cupboard knobs	330 – 333
with floor support	92 – 93	L-shaped shower seats	226 – 227	Flush pulls	334 – 335
mobile	94 – 97	Removable hanging seats	228	Fixing types	336 – 337
with seat bracket	98 – 99	Shower benches, stool	229 – 230		
L-shaped shower compartm. seats	100 – 101	Accessibility   Support		<b>General information</b>	<b>339</b>
Rectangular shower seats	102 – 103	Swing-up grab bars	232 – 234	Numerical index	340 – 367
Re-seat family <b>New</b>	104 – 105	Mobile swing-up grab bars	233 – 236	Product characteristics, certifications	368
Shower stools	106	Upgrade kit toilet roll holder	232	Material characteristics, care tips	369
Bath chairs	107 – 108			Intern. terms and conditions of sale	370 – 371
Shower stools	109 – 110	Accessibility   Grip			
Bath chairs	111	Grab bars	238 – 243		
Spare parts	112 – 121	Shower grab bars	243 – 245		
		Grab bars with shower head holder	246 – 249		
		Spare parts	250 – 252		

## System 900 Q

### PRODUCT CHARACTERISTICS

- The design variant S 900 Q convinces with square forms and defined radii
- Puristic design combined with high functionality
- Variety of materials and surfaces allows freedom of design
- Hygienic surfaces
- Durable quality

### RECOMMENDED APPLICATION AREAS

Public, Home, Hotel



# System 900 Q

## DESIGN

HEWI, Bad Aroslen

## MATERIAL AND SURFACES

Stainless steel satin finished, high-quality chrome-plated or powder-coated in 3 colors with inserts made of satin crystal glass.

## ACCESSORIES

Product range Public	4
Product range Home, Hotel	6
Basin area	8 – 12
Toilet area	13 – 16
Shower and bath area	17
Spare parts	18 – 19

## ACCESSIBILITY

Matching products 5, 7



ACCESSORIES



**Soap dispenser**  
 900.06.004... page 33  
 900.06.00... HEWI SENSORIC page 33



**Paper towel dispenser**  
 900.06.009... page 38



**Waste paper bin | with lid**  
 900.05.001.. | 900.05.002.. page 39  
 900.05.003.. | 900.05.004.. page 40



**Disinfectant dispenser column**  
 900.06.014... page 37



**New**  
**Shelf with glass panel**  
 900Q03.007... | 600 mm page 12



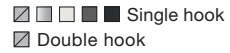
**New**  
**Towel rail**  
 900Q09.000... page 12



**New**  
**Towel rail | Bath towel rail**  
 900Q30.000... | 250 mm p. 12, 17  
 900Q30.001... | 600 mm page 17  
 900Q30.002... | 800 mm page 17



**New**  
**Single hook | Double hook**  
 900Q90.000... page 10  
 900Q90.001XA page 11



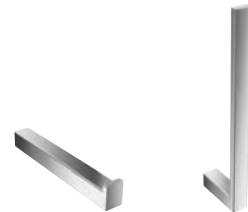
**New**  
**Toilet roll holder**  
 900Q21.000... page 14



**New**  
**Toilet roll holder with lid**  
 900Q21.001... page 14



**New**  
**Toilet roll holder with shelf**  
 900Q21.002... page 14



**New**  
**Spare roll holder**  
 900Q21.003... page 15  
 900Q21.004... page 15



**New**  
**Toilet brush unit**  
 900Q20.001... page 16



**New**  
**Toilet brush unit with lid**  
 900Q20.002... page 16



**Hygiene bag dispenser**  
 900.06.011... page 49



**Hygiene waste bin | combination**  
 900.05.005... page 49  
 900.05.006... page 49



- ...60 DX powder-coated matt white (RAL 9003)
- ...60 SC powder-coated matt dark gray pearl mica
- ...60 DC powder-coated matt black (RAL 9005)

**MATCHING PRODUCTS**

System 900 Q can be supplemented with the following products.



**Swing up grab bar Mono, Design A**  
 900.50.1... | 600 mm page 64  
 900.50.4... | mobile page 70



**Swing up grab bar Duo, Design A**  
 900.50.... from page 64  
 900.50.4... | mobile from page 70



**Grab bar**  
 900.36.0... from page 78



**Shower grab rail**  
 900.35.1... page 79



**Grab bar with shower head holder**  
 900.33.0... page 80



**Grab bar with adjustable vertical support bar a. shower head holder**  
 900.35.4... page 82



**Grab bar with adjustable vertical support bar a. shower head holder**  
 900.35.3... from page 84



**Shower curtain rail**  
 900.34.400... from page 222



**Folding shower seat**  
 900.51.2... page 90  
 900.51.4... | mobile page 94



**Shower stool | Bath chair**  
 950.51.3... from page 106



**Mirrors** from page 281



**Washbasins** from page 288

ACCESSORIES



**New**  
**Glass tumbler with holder**  
 900Q04.000.. page 9

- Holder
- Tumbler



**New**  
**Soap dispenser with holder**  
 900Q06.000.. page 9

- Holder
- Soap dispenser



**New**  
**Shelf with soap dispenser**  
 900Q03.002... | 200 mm page 10

- Shelf
- Soap dispenser



**New**  
**Shelf**  
 900Q03.000... | 200 mm page 10

- 



**New**  
**Shelf with glass panel**  
 900Q03.007... | 600 mm page 12

- Holder
- Shelf plate



**New**  
**Single hook**  
 900Q90.000... page 10

- 



**New**  
**Double hook**  
 900Q90.002... page 11

- 



**New**  
**Hook strip**  
 900Q90.003... page 11

- 



**New**  
**Towel rail**  
 900Q09.000... page 12

- 



**New**  
**Towel rail | Bath towel rail**  
 900Q30.000... | 250 mm p. 12, 17  
 900Q30.001... | 600 mm page 17  
 900Q30.002... | 800 mm page 17

- 



**New**  
**Spare roll holder, single**  
 900Q21.003... page 15

- 



**New**  
**Spare roll holder, double**  
 900Q21.004... page 15

- 



**New**  
**Toilet roll holder**  
 900Q21.000... page 14

- 



**New**  
**Toilet roll holder with lid**  
 900Q21.001... page 14

- 



**New**  
**Toilet roll holder with shelf**  
 900Q21.002... page 14

- 



**New**  
**Toilet brush unit**  
 900Q20.000... page 15

- Holder
- Brush container



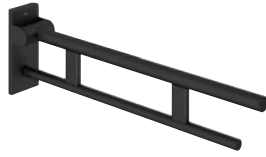
- ...60 DX powder-coated matt white (RAL 9003)
- ...60 SC powder-coated matt dark gray pearl mica
- ...60 DC powder-coated matt black (RAL 9005)

**MATCHING PRODUCTS**

System 900 Q can be supplemented with the following products.



**Swing up grab bar Mono, Design A**  
 900.50.1... | 600 mm page 64  
 900.50.4... | mobil page 70



**Swing up grab bar Duo, Design A**  
 900.50.... from page 64  
 900.50.4... | mobil from page 70



**Grab bar**  
 900.36.0... from page 78



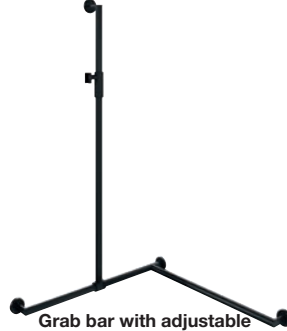
**Shower grab rail**  
 900.35.1... from page 79



**Grab bar with magnetic shower head holder**  
 900.33M06... page 81



**Grab bar with adjustable vertical support bar and magnetic shower head holder**  
 900.35M46... page 83



**Grab bar with adjustable vertical support bar and magnetic shower head holder**  
 900.35M36... page 87



**Shower basket**  
 900.03.001... page 52



**Folding shower seat**  
 900.51.2... page 90  
 900.51.4... | mobile page 94



**Shower stool | Bath chair**  
 950.51.3... from page 106



**Dispenser products** from page 33



**Mirrors** from page 281



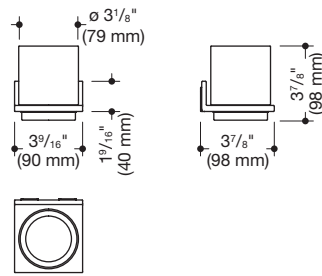
**Washbasins** from page 298

# System 900 Q Accessories



Item Number

Dimensions / Specification



**New** 900Q04.00040  
**New** 900Q04.00060

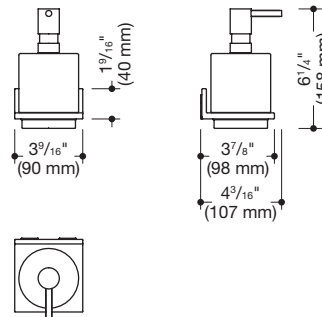
■ ■ ■ Holder  
□ Tumbler

100.04.E01

**HEWI Glass tumbler with holder**

- holder made of metal
- with protective film on the inside for a secure, defined position and to protect the insert from damage
- 3 9/16" (90 mm) wide, 3 7/8" (98 mm) high, 3 7/8" (98 mm) deep
- cylindrical tumbler made of high-quality, satin crystal glass
- for wall mounting, concealed fixing
- including non-corrosive HEWI fixing material
- holder high-quality chrome-plated
- holder powder-coated in HEWI colors DX (matt white), SC (matt dark gray pearl mica) and DC (matt black)

**HEWI Glass tumbler** see page 18



**New** 900Q06.00040  
**New** 900Q06.00060

■ ■ ■ Holder  
■ ■ ■ Pump head  
□ Soap dispenser

100.06.E01  
100.03.E02  
950.06.E02  
950.06.E05

**HEWI Soap or disinfectant dispenser with holder**

- to be filled with standard liquid soap, disinfectants and gels
- holder made of metal
- with protective film on the inside for a secure, defined position and to protect the insert from damage
- 3 9/16" (90 mm) wide, 6 1/4" (158 mm) high, 3 7/8" (98 mm) deep
- soap dispenser made of high-quality, satin crystal glass
- capacity approx. 250 ml
- for wall mounting, concealed fixing
- including non-corrosive HEWI fixing material
- holder and pump head high-quality chrome-plated
- holder powder-coated in HEWI colors DX (matt white) with pump head in matt white or DC (matt black) and SC (matt dark gray pearl mica) with pump head in matt black

**HEWI Glass container** see page 18

**HEWI Pump head, chrome** see page 18

**HEWI Pump head, matt black** see page 18

**HEWI Pump head, matt white** see page 18

**HEWI Surfaces**

■ □ ... **DX** matt white  
Chr Glass ■ ■ ... **SC** matt dark gray pearl mica  
■ ■ ... **DC** matt black

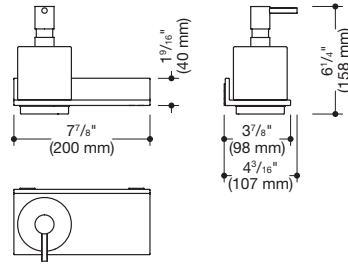
Item Number

Dimensions / Specification



- Shelf
- Pump head
- Soap dispenser

**New** 900Q03.00240  
**New** 900Q03.00260



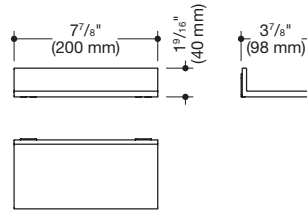
**HEWI Shelf with soap or disinfectant dispenser**

- to be filled with standard liquid soap, disinfectants and gels
- with protective insert made of synthetic material for a secure, defined position and to protect the insert from damage
- 7 7/8" (200 mm) wide, 6 1/4" (158 mm) high, 3 7/8" (98 mm) deep, capacity approx. 8.4 fl oz (250 ml)
- soap dispenser made of high-quality, satin crystal glass
- for wall mounting, concealed fixing
- including non-corrosive HEWI fixing material
- shelf and pump head high-quality chrome-plated
- shelf powder-coated in HEWI colors DX (matt white) with pump head in matt white or DC (matt black) and SC (matt dark gray pearl mica) with pump head in matt black



- 

**New** 900Q03.00040  
**New** 900Q03.00060



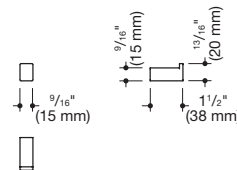
**HEWI Shelf**

- made of metal
- 7 7/8" (200 mm) wide, 1 9/16" (40 mm) high, 3 7/8" (98 mm) deep
- for wall mounting, concealed fixing
- including non-corrosive HEWI fixing material
- high-quality chrome-plated
- powder-coated in HEWI colors DX (matt white), SC (matt dark gray pearl mica) and DC (matt black)



- 

**New** 900Q90.000XA  
**New** 900Q90.00040  
**New** 900Q90.00060



**HEWI Single hook**

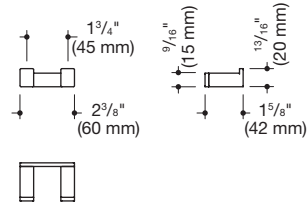
- made of high-quality stainless steel
- 9/16" (15 mm) wide, 13/16" (20 mm) high, 1 1/2" (38 mm) deep
- for wall mounting, concealed fixing
- including non-corrosive HEWI fixing material
- satin finished
- high-quality chrome-plated
- powder-coated in HEWI colors DX (matt white), SC (matt dark gray pearl mica) and DC (matt black)

100.06.E01  
 100.03.E02  
 950.06.E02  
 950.06.E05

**HEWI Glass container** see page 18  
**HEWI Pump head, chrome** see page 18  
**HEWI Pump head, matt black** see page 18  
**HEWI Pump head, matt white** see page 18

Item Number

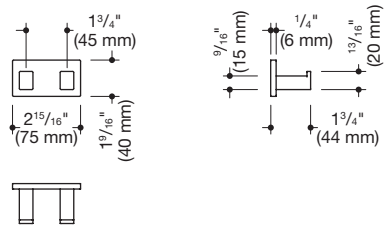
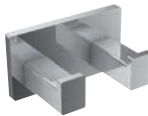
Dimensions / Specification



**New** 900Q90.001XA

**HEWI Double hook**

- made of high-quality stainless steel, satin finished
- 2 3/8" (60 mm) wide, 13/16" (20 mm) high, 1 5/8" (42 mm) deep
- for wall mounting, concealed fixing
- including non-corrosive HEWI fixing material



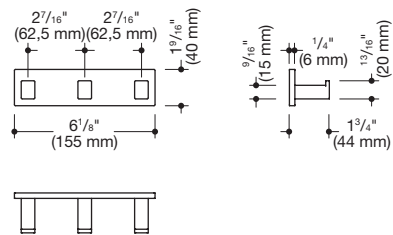
**New** 900Q90.00240  
**New** 900Q90.00260

**HEWI Double hook**

- made of high-quality stainless steel
- 2 15/16" (75 mm) wide, 1 9/16" (40 mm) high, 1 3/4" (44 mm) deep
- for wall mounting, concealed fixing
- including non-corrosive HEWI fixing material



- high-quality chrome-plated
- powder-coated in HEWI colors DX (matt white), SC (matt dark gray pearl mica) and DC (matt black)



**New** 900Q90.00340  
**New** 900Q90.00360

**HEWI Hook strip**

- with 3 hooks
- made of high-quality stainless steel
- 6 1/8" (155 mm) wide, 1 9/16" (40 mm) high, 1 3/4" (44 mm) deep
- for wall mounting, concealed fixing
- including non-corrosive HEWI fixing material



- high-quality chrome-plated
- powder-coated in HEWI colors DX (matt white), SC (matt dark gray pearl mica) and DC (matt black)

**HEWI Surfaces**

- ☒ ... DX matt white
- ☐ XA Chr Glass
- ... SC matt dark gray pearl mica
- ... DC matt black

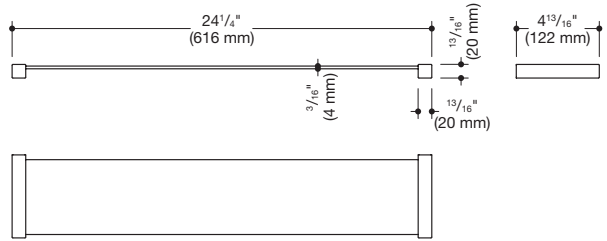
Item Number

Dimensions / Specification



Holder  
 Shelf

**New** 900Q03.007XA  
**New** 900Q03.00740  
**New** 900Q03.00760



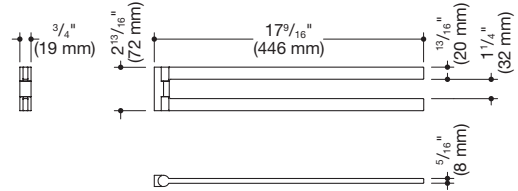
**HEWI Shelf with glass panel**

- shelf comprising side holder elements and a glass panel
- shelf panel made of ESG glass (4 mm), satin-finish on underside
- 24 1/4" (616 mm) wide, 13 1/16" (20 mm) high and 4 13/16" (122 mm) deep
- for wall mounting, concealed fixing
- including non-corrosive HEWI fixing material
- satin finished
- high-quality chrome-plated
- powder-coated in HEWI colors DX (matt white), SC (matt dark gray pearl mica) and DC (matt black)



Holder  
 Shelf

**New** 900Q09.000XA  
**New** 900Q09.00040  
**New** 900Q09.00060



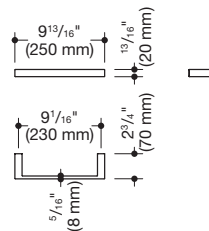
**HEWI Towel rail**

- the arms can be swivelled 180° independently of each other
- made of high-quality stainless steel
- 17 9/16" (446 mm) long, 2 13/16" (72 mm) high and 3/4" (19 mm) wide
- for wall mounting, concealed fixing
- including non-corrosive HEWI fixing material
- satin finished
- high-quality chrome-plated
- powder-coated in HEWI colors DX (matt white), SC (matt dark gray pearl mica) and DC (matt black)



Holder  
 Shelf

**New** 900Q30.000XA  
**New** 900Q30.00040  
**New** 900Q30.00060



**HEWI Towel rail**

- made of high-quality stainless steel
- 9 13/16" (250 mm) wide, 13 1/16" (20 mm) high and 2 3/4" (70 mm) deep, c to c 9 1/16" (230 mm)
- for wall mounting, concealed fixing
- including non-corrosive HEWI fixing material
- satin finished
- high-quality chrome-plated
- powder-coated in HEWI colors DX (matt white), SC (matt dark gray pearl mica) and DC (matt black)

**HEWI Surfaces**

... DX matt white  
 XA Chr Glass  ... SC matt dark gray pearl mica  
 ... DC matt black

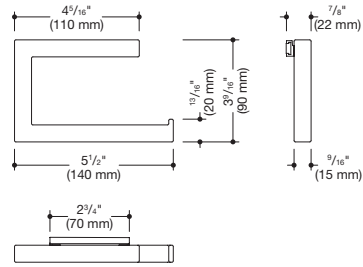


Item Number

Dimensions / Specification



- New** 900Q21.000XA
- New** 900Q21.00040
- New** 900Q21.00060

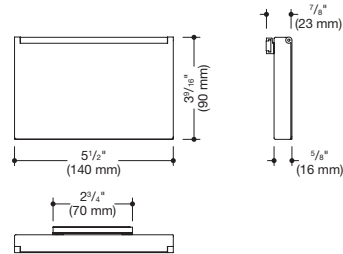


**HEWI Toilet roll holder**

- hinged, made of stainless steel, for toilet rolls of up to 120 mm
- 5 1/2" (140 mm) wide, 3 9/16" (90 mm) high, 7/8" (22 mm) deep
- for wall mounting, concealed fixing
- including non-corrosive HEWI fixing material
- satin finished
- high-quality chrome-plated
- powder-coated in HEWI colors DX (matt white), SC (matt dark gray pearl mica) and DC (matt black)



- New** 900Q21.001XA
- New** 900Q21.00140
- New** 900Q21.00160

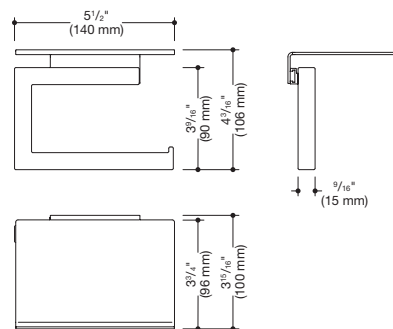


**HEWI Toilet roll holder with lid**

- do., 5 1/2" (140 mm) wide, 3 9/16" (90 mm) high, 7/8" (23 mm) deep
- satin finished
- high-quality chrome-plated
- powder-coated in HEWI colors DX (matt white), SC (matt dark gray pearl mica) and DC (matt black)



- New** 900Q21.002XA
- New** 900Q21.00240
- New** 900Q21.00260



**HEWI Toilet roll holder with shelf**

- do., 5 1/2" (140 mm) wide, 4 3/16" (106 mm) high and 3 15/16" (100 mm) deep
- satin finished
- high-quality chrome-plated
- powder-coated in HEWI colors DX (matt white), SC (matt dark gray pearl mica) and DC (matt black)

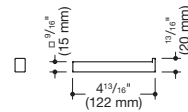


Item Number

Dimensions / Specification



- New** 900Q21.003XA
- New** 900Q21.00340
- New** 900Q21.00360

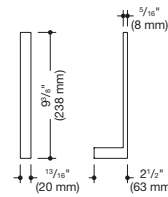


**HEWI Spare roll holder**

- made of stainless steel, for wall mounting, concealed fixing
- 9/16" (15 mm) wide, 13/16" (20 mm) high, 4 13/16" (122 mm) deep
- including non-corrosive HEWI fixing material
- satin finished
- high-quality chrome-plated
- powder-coated in HEWI colors DX (matt white), SC (matt dark gray pearl mica) and DC (matt black)



- New** 900Q21.004XA
- New** 900Q21.00440
- New** 900Q21.00460



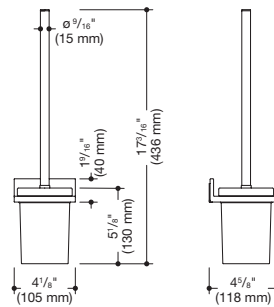
**HEWI Spare roll holder, double**

- made of stainless steel, for wall mounting, concealed fixing
- 13/16" (20 mm) wide, 9 3/8" (238 mm) high, 2 1/2" (63 mm) deep
- including non-corrosive HEWI fixing material
- satin finished
- high-quality chrome-plated
- powder-coated in HEWI colors DX (matt white), SC (matt dark gray pearl mica) and DC (matt black)



- ☐ ☐ ☐ ☐ Holder, brush handle
- ☐ Brush container

- New** 900Q20.00040
- New** 900Q20.00060



**HEWI Toilet brush unit**

- holder made of metal, with protective insert made of synthetic material for a secure, defined position and to protect the insert from damage
- brush container made of high-quality, satin crystal glass, can be removed for cleaning
- brush head can be replaced due to bayonet fixing
- 4 1/8" (105 mm) wide, 17 3/16" (436 mm) high and 4 5/8" (118 mm) deep
- for wall mounting, concealed fixing
- including non-corrosive HEWI fixing material
- holder and brush handle high-quality chrome-plated
- holder and brush handle powder-coated in HEWI colors DX (matt white), SC (matt dark gray pearl mica) and DC (matt black)

**HEWI Surfaces**

- ☐ ☐ ☐ ☐ ... **DX** matt white
- XA Chr Glass ☐ ... **SC** matt dark gray pearl mica
- ☐ ... **DC** matt black

- 63500
- 100.20.01040
- 900.20.01060
- 921050
- 921051
- 921052

- HEWI Brush container** see page 19
- HEWI Toilet brush, chrome-plated** see page 50
- HEWI Toilet brush, powder-coated** see page 50
- HEWI Brush head, packing unit 1** see page 19
- HEWI Brush head, packing unit 5** see page 19
- HEWI Brush head, packing unit 25** see page 19

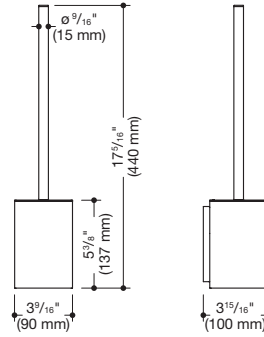
Item Number

Dimensions / Specification



**New** 900Q20.001XA  
**New** 900Q20.00160

900Q20.E001  
 805.20.020  
 900.20.01060



**HEWI Toilet brush unit**

- holder made of high-quality stainless steel
- insert made of matt black synthetic material, can be removed for cleaning
- brush head can be replaced due to bayonet fixing
- 3 9/16" (90 mm) wide, 17 5/16" (440 mm) high and 3 15/16" (100 mm) deep
- for wall mounting, concealed fixing
- including non-corrosive HEWI fixing material
- holder and brush handle satin finished
- holder and brush handle powder-coated in HEWI colors DX (matt white), SC (matt dark gray pearl mica) and DC (matt black)

**HEWI Insert toilet brush unit** see page 19

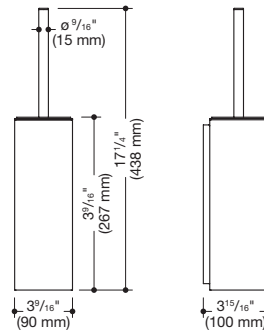
**HEWI Toilet brush, satin finished** see page 50

**HEWI Toilet brush, powder-coated** see page 50



**New** 900Q20.002XA  
**New** 900Q20.00260

900Q20.E002  
 900.20.020XA  
 900.20.02060



**HEWI Toilet brush unit with lid**

- holder made of high-quality stainless steel
- insert made of matt black synthetic material, can be removed for cleaning
- brush head can be replaced due to bayonet fixing
- 3 9/16" (90 mm) wide, 17 1/4" (438 mm) high and 3 15/16" (100 mm) deep
- for wall mounting, concealed fixing
- including non-corrosive HEWI fixing material
- holder and brush handle satin finished
- holder and brush handle powder-coated in HEWI colors DX (matt white), SC (matt dark gray pearl mica) and DC (matt black)

**HEWI Insert toilet brush unit with lid** see page 19

**HEWI Toilet brush with lid, satin finished** see page 51

**HEWI Toilet brush with lid, powder-coated** see page 51

921050  
 921051  
 921052

**HEWI Brush head, packing unit 1** see page 19

**HEWI Brush head, packing unit 5** see page 19

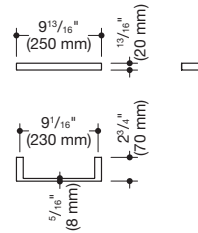
**HEWI Brush head, packing unit 25** see page 19

Item Number

Dimensions / Specification



- New** 900Q30.000XA
- New** 900Q30.00040
- New** 900Q30.00060

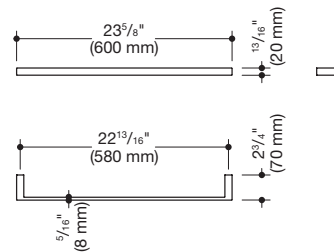


**HEWI Towel rail**

- made of high-quality stainless steel
- 9 13/16" (250 mm) wide, 13/16" (20 mm) high and 2 3/4" (70 mm) deep, c to c 9 1/16" (230 mm)
- for wall mounting, concealed fixing
- including non-corrosive HEWI fixing material
- satin finished
- high-quality chrome-plated
- powder-coated in HEWI colors DX (matt white), SC (matt dark gray pearl mica) and DC (matt black)



- New** 900Q30.001XA
- New** 900Q30.00140
- New** 900Q30.00160

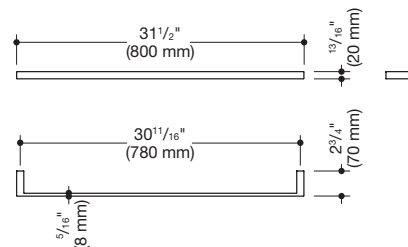


**HEWI Bath towel rail**

- made of high-quality stainless steel
- 23 5/8" (600 mm) wide, 13/16" (20 mm) high and 2 3/4" (70 mm) deep, c to c 22 13/16" (580 mm)
- for wall mounting, concealed fixing
- including non-corrosive HEWI fixing material
- satin finished
- high-quality chrome-plated
- powder-coated in HEWI colors DX (matt white), SC (matt dark gray pearl mica) and DC (matt black)



- New** 900Q30.002XA
- New** 900Q30.00240
- New** 900Q30.00260



**HEWI Bath towel rail**

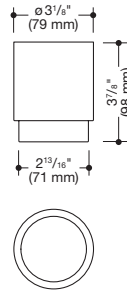
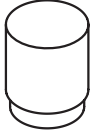
- made of high-quality stainless steel
- 31 1/2" (800 mm) wide, 13/16" (20 mm) high and 2 3/4" (70 mm) deep, c to c 30 11/16" (780 mm)
- for wall mounting, concealed fixing
- including non-corrosive HEWI fixing material
- satin finished
- high-quality chrome-plated
- powder-coated in HEWI colors DX (matt white), SC (matt dark gray pearl mica) and DC (matt black)

**HEWI Surfaces**

- ...60 DX matt white
- XA Chr     ...60 SC matt dark gray pearl mica
- ...60 DC matt black

Item Number

Dimensions / Specification

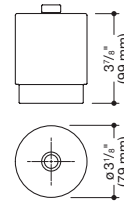
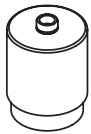


100.04.E01

**HEWI Glass tumbler**

**suitable for holder with tumbler 900Q04.000...**

- $\varnothing$  3 1/8" (79 mm), 3 7/8" (98 mm) high
- made of high-quality, satin-finished crystal glass

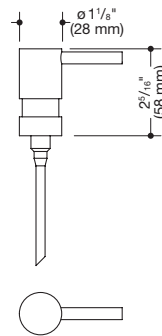
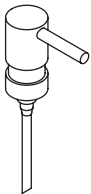


100.06.E01

**HEWI Glass container**

**for soap dispenser with holder 900Q03.002... and 900Q06.000...**

- $\varnothing$  3 1/8" (79 mm), 3 7/8" (99 mm) high
- made of high-quality, satin-finished crystal glass



100.03.E02

**HEWI Pump head**

**for soap dispenser 900Q03.00240, 900Q06.00040**

- incl. riser tube
- pump head made of metal, high-quality chrome-plated

**New** 950.06.E02

**for soap dispenser 900Q03.00260, 900Q06.00060**

- incl. riser tube
- pump head made of metal, black matt

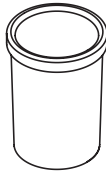
**New** 950.06.E05

**for soap dispenser 900Q03.00260, 900Q06.00060**

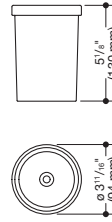
- do., pump head made of metal, white matt

Item Number

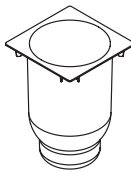
Dimensions / Specification



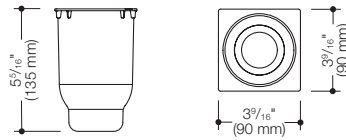
**63500**



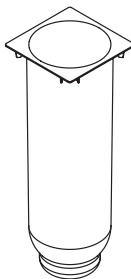
**HEWI Brush container**  
**for toilet brush unit 815.20.100... and 900Q20.000...**  
 · 5 1/8" (130 mm) high  
 · made of high-quality, satin-finished glass



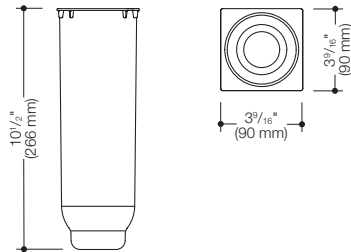
**New 900Q20.E001**



**HEWI Insert**  
**for toilet brush unit 900Q20.001...**  
 · 5 5/16" (135 mm) high  
 · made of black matt synthetic material



**New 900Q20.E002**



**HEWI Insert**  
**for toilet brush unit 900Q20.002...**  
 · 10 1/2" (266 mm) high  
 · made of black matt synthetic material



**921050**  
**921051**  
**921052**

**HEWI Brush head**  
**for toilet brush unit 900Q20...**  
**for toilet brush 805.20.020 and 900.20.2...**  
 · for easy replacement on toilet brush by bayonet fixing  
 · brush head made of black polyamide with bristles in anthracite gray  
 · ø 3" (76 mm)  
 packing unit 1 pc  
 packing unit 5 pcs  
 packing unit 25 pcs

## System 900



### PRODUCT CHARACTERISTICS

- System 900 has been designed for applications in the professional care sector
- Puristic design in conjunction with a high degree of functionality
- Unique product range depth
- Material variety enables design freedom
- Hygienic surface finish
- Long-lasting quality

### RECOMMENDED APPLICATION AREAS

Professional Care, Hotel, Public



# System 900

## DESIGN

NOA Produktdesign, Aachen

## MATERIAL AND SURFACES

Stainless steel satin finished or high-quality chrome-plated with inserts made of satin-finish crystal glass or polyamide in colors 98 (signal white) and 92 (anthracite gray).  
Stainless steel powder-coated in 3 colors with inserts made of satin-finish crystal glass or matt polyamide in the colors signal white matt or jet black matt.

## ACCESSORIES

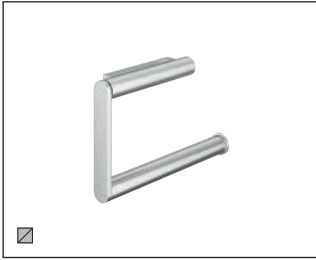
Product range	24 – 25
Basin area	30 – 45
Toilet area	46 – 51
Shower and bath area	52 – 59

## ACCESSIBILITY

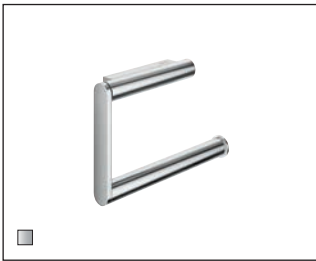
Product range	26 – 27
Support	60 – 75
Grip	76 – 87
Sit	88 – 111
Spare parts	112 – 121



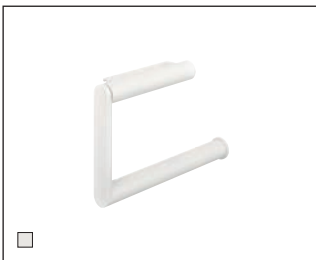
SURFACES



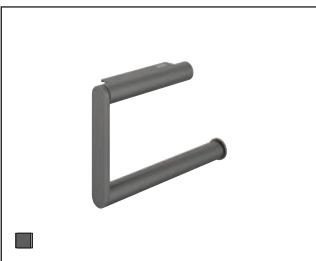
**....XA**  
· stainless steel satin finished



**....40**  
· metal chrome-plated



**....60 DX**  
· metal powder-coated in matt white

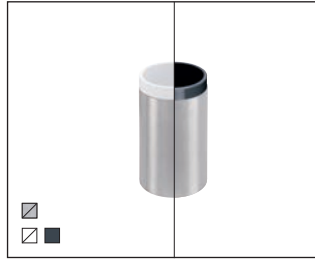


**....60 SC**  
· metal powder-coated in matt dark gray pearl mica

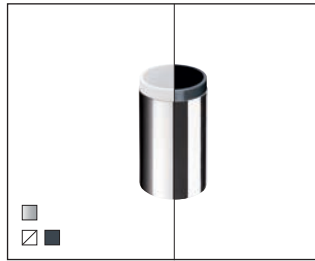


**....60 DC**  
· metal powder-coated in matt black

... WITH MATERIAL COMBINATION POLYAMIDE/  
SYNTHETIC MATERIAL



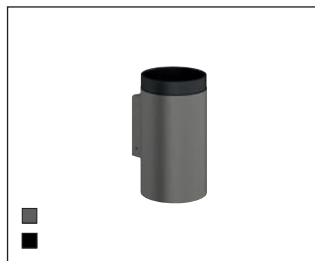
**....XA 98 or 92**  
· stainless steel satin finished  
· high-gloss polyamide in HEWI colors 98 (signal white) or 92 (anthracite gray)



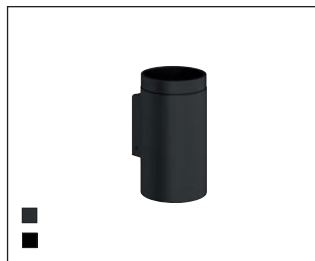
**....40 98 or 92**  
· metal chrome-plated  
· high-gloss polyamide in HEWI colors 98 (signal white) or 92 (anthracite gray)



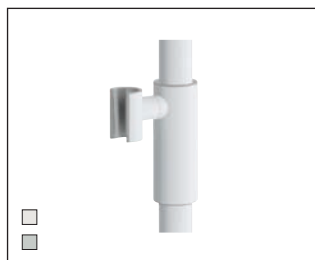
**....60 AS**  
· metal powder-coated in matt white  
· polyamide/synthetic material matt white



**....60 ER**  
· metal powder-coated in matt dark gray pearl mica  
· polyamide/synthetic material matt black



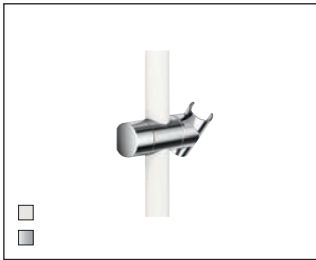
**....60 CV**  
· metal powder-coated in matt black  
· polyamide/synthetic material matt black



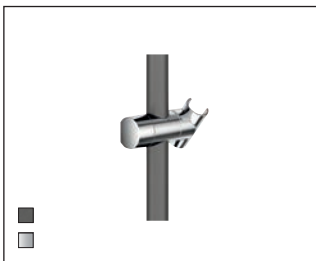
**....60 VH**  
· metal powder-coated in matt white  
· polyamide/synthetic material matt light gray



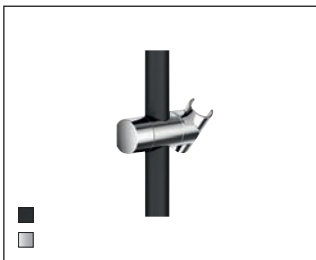
**... WITH MATERIAL COMBINATION CHROME**



**....60 WD**  
 · metal powder-coated in  
 matt white and chrome



**....60 DD**  
 · metal powder-coated in  
 matt dark gray pearl mica  
 and chrome



**....60 JK**  
 · metal powder-coated in  
 matt black and chrome

**MATERIAL COMBINATIONS FOR REMOVABLE  
 HANGING SEATS**



**....60 AS**  
 · metal powder-coated in  
 matt white  
 · matt white synthetic material



**....60 AF**  
 · metal powder-coated in  
 matt anthracite  
 · matt anthracite synthetic material



**....60 CV**  
 · metal powder-coated in  
 matt black  
 · matt black synthetic material

**SURFACES**

- ...40 chrome (Chr)
- ...XA stainless steel, satin finished
- white powder-coated (W)
- ...60 DX powder-coated matt white (RAL 9003)
- ...60 SC powder-coated matt dark gray pearl mica
- ...60 DC powder-coated matt black (RAL 9005)

**ACCESSORIES**



**Tumbler with holder**  
162.04.110... page 30  
900.04.000... page 30

- Holder
- Tumbler



**Soap dispenser with holder**  
900.06.001... page 31  
900.06.000... page 31

- Holder
- Tumbler



**Disinfectant or soap dispenser**  
900.06.002... page 32  
900.06.003... page 32

- Basic body
- Front cover



**Soap dispenser**  
900.06.004... page 33  
900.06.005... page 33

- 



**Paper towel dispenser**  
900.06.009... page 38

- Holder
- Shelf



**Electronic paper roll dispenser**  
900.06.010... page 38

- 



**Wastepaper bin | with lid**  
900.05.001.. | 900.05.002.. page 39  
900.05.003.. | 900.05.004.. page 40

- 



**Waste bin, operation by knee**  
900.05.000... page 41

- 



**Disinfectant dispenser column**  
900.06.012... p. 35  
900.06.013... | HEWI SENSORIC p. 36

- 



**Disinfectant dispenser column**  
900.06.014... | HEWI SENSORIC p. 37  
950.06.103... | HEWI SENSORIC p. 271

- 



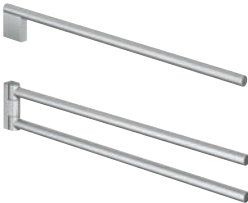
**Disinfectant dispenser**  
900.06.01..60 page 34  
950.06.102... | HEWI SENSORIC p. 270

- 



**Shelf | with support rail**  
162.03.11... page 42  
900.03.000... page 42

- Holder
- Shelf



**Towel rail**  
162.09.100... page 43  
900.09.001... page 43

- 



**Towel ring**  
162.09.100... page 44  
900.09.002... page 44

- 



**Hair dryer- | Walking aid holder**  
900.00.000... page 44  
900.90.001... page 45

- Holder
- Insert



**Hook | Double hook**  
162.90.010... page 45  
162.90.030... page 45

-

HEWI COLORS | INSERTS

- 98 (signal white)     satin finished crystal glass
- 92 (anthracite gray)
- signal white matt
- jet black matt



**Toilet roll holder**  
900.21.000... page 46



**Toilet roll holder with shelf**  
900.21.004... page 46



**Toilet roll holder with lid**  
900.21.005... page 47



**Spare roll holder**  
900.21.006... page 47  
162.21.300... page 48



**Large toilet roll holder**  
900.21.001... page 48



**Hygiene bag dispenser**  
900.06.011... page 49



**Hygiene waste bin | combination**  
900.05.005... page 49  
900.05.006... page 49



**Toilet brush unit | Toilet brush**  
900.20.000... | 900.20.01... page 50  
900.20.001... | 900.20.02... page 51

Insert always black



**Shower basket**  
900.03.001... page 52  
900.03.002... page 52

Holder  
    Insert



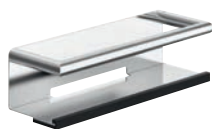
**Storage box**  
802.03...200 page 53



**Bath towel rail**  
162.30.200... page 53



**New**  
**Bath towel shelf**  
162.30.11040 page 54  
950.30.110... page 54



**Shower shelf**  
162.03.200... page 55



**Shower curtain rail**  
900.34.400... page 58

Rail  
 Curtain rings



**Shower curtain rail**  
900.34.10... page 56

Rail  
 Curtain rings



**Shower curtain rail**  
900.34.30... page 57

Rail  
 Curtain rings

SURFACES

- ...40 chrome (Chr)
- ...XA stainless steel, satin finished

- ...60 DX powder-coated matt white (RAL 9003)
- ...60 SC powder-coated matt dark gray pearl mica
- ...60 DC powder-coated matt black (RAL 9005)

ACCESSIBILITY



**Swing-up grab bar Mono, design A**  
900.50.1... page 64  
900.50.4... | mobile page 70



**Swing-up grab bar Duo, design A**  
900.50.... from page 64  
900.50.4... | mobile from page 70



**Swing-up grab bar Mono, design B**  
900.50.4... page 65



**Swing-up grab bar Duo, design B**  
900.50... from page 65



**Swing-up grab bar**  
900.50.... **New** page 75

- Rail
- Wall plate, extension arm



**Grab bar**  
900.36.0... page 78



**Shower grab rail**  
900.35.1... page 79



**Grab bar with shower head holder**  
900.33.0... page 80

- Rail
- Holder



**Grab bar with adjustable vertical support bar a. shower head holder**  
900.35.4... page 82

- Rail
- Holder



**Grab bar with adjustable vertical support bar a. shower head holder**  
900.35.3... from page 84

- Rail
- Holder



**Grab bar with magnetic shower head holder**  
900.33M0... **New** page 81



**Grab bar with adjustable vertical support bar and magnetic shower head holder**  
900.35M4... **New** page 83



**Grab bar with adjustable vertical support bar and magnetic shower head holder**  
900.35M3... **New** from page 86



HEWI COLORS | INSERTS

- 98 (signal white)
- 92 (anthracite gray)
- signal white matt
- jet black matt



**Folding shower seat**  
900.51.2... page 90  
900.51.4... | mobile page 94

- Wall bracket
- Seat



**Folding shower seat | with hygiene cutout**  
900.51.2... page 91  
900.51.4... | mobile page 95

- Wall bracket
- Seat



**Folding shower seat with floor support**  
900.51.201... page 92

- Wall bracket
- Seat



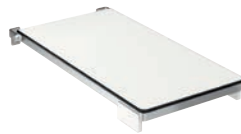
**Folding shower seat with floor support | with hygiene cutout**  
900.51.2... page 93

- Wall bracket
- Seat



**Folding shower seat**  
900.51B21590 **New** page 98  
900.51B21690 **New** page 99

- 



**Bathtub seat**  
900.51.213... page 103

- Wall connection | support
- Seat



**L-shaped shower compartment seat**  
900.51.20... from page 100

- Wall connection | support
- Seat



**Rectangular shower compartment seat**  
950.51.21... from page 102

- Wall connection | support
- Seat

**RE-SEAT FAMILY **New****



**Shower stool**  
950.51.40060 **New** page 106  
950.51.40160 **New** page 106

- Frame
- Seat



**Shower stool**  
950.51.40260 **New** page 107

- Frame
- Seat



**Bath chair**  
950.51.41060 **New** page 107

- Frame
- Seat



**Bath chair**  
950.51.41160 **New** page 108

- Frame
- Seat



**Shower stool**  
950.51.300... page 109  
950.51.30140 page 110  
950.51.30160 **New** page 110

- Frame
- Seat



**Shower stool**  
950.51.30240 page 110  
950.51.30260 **New** page 110

- Frame
- Seat



**Bath chair**  
950.51.31040 page 111  
950.51.31060 **New** page 111

- Frame
- Seat



**Bath chair**  
950.51.31140 page 111  
950.51.31160 **New** page 111

- Frame
- Seat

# System 900

## Accessories

---

### DESIGN

- Puristic
- Classic language of form
- Developed together with the design agency NOA, Aachen



---

### RELIABLE QUALITY

- Durable
- Tested for use in highly frequented sanitary rooms
- Only high-quality materials
- Precise workmanship

### MATERIAL OPTIONS

- Optional available in satin finished stainless steel, high-quality chrome-plated or powder-coated
- Can be combined with elements made of polyamide or satin finished crystal glass

· **VERSATILE IN USE**

- Unique assortment depth
- Compatible, uncompromising accessible design

· **CONSISTENT DESIGN**

- Can be combined with HEWI hardware system 162
- ENTRO handrails of range circum supplement the system 900

· **CLEANING-FRIENDLY | HYGIENE**

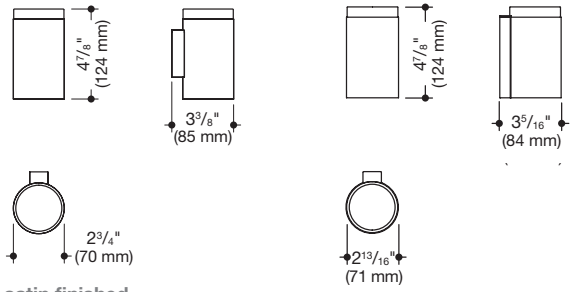
- Smooth surfaces facilitate cleaning
- Resistance to cleaning products
- minimum joints

Item Number

Dimensions / Specification



- Holder
- Tumbler



satin finished  
powder-coated

chrome-plated

**HEWI Tumbler with holder**

- cylindrical holder
- with protective film on the inside for a secure, defined position and to protect the insert from damage
- ø 2 3/4" (70 mm), 4 7/8" (124 mm) high and 3 3/8" (85 mm) deep (for stainless steel, satin finished and powder-coated)
- ø 2 13/16" (71 mm), 4 7/8" (124 mm) high and 3 5/16" (84 mm) deep (for metal, chrome-plated)
- for wall mounting, concealed fixing
- including non-corrosive HEWI fixing material



- Holder
- Tumbler

<b>Holder stainless steel</b>	Cylindrical tumbler made of high-quality polyamide	Cylindrical tumbler made of satin finish crystal glass
<b>satin finished</b>	<b>162.04.110XA 98</b> Tumbler signal white	<b>900.04.000XA</b>
<b>satin finished</b>	<b>162.04.110XA 92</b> Tumbler anthracite gray	

<b>Holder metal</b>	Cylindrical tumbler made of high-quality polyamide	Cylindrical tumbler made of satin finish crystal glass
<b>chrome-plated</b>	<b>162.04.11040 98</b> Tumbler signal white	<b>900.04.00040</b>
<b>chrome-plated</b>	<b>162.04.11040 92</b> Tumbler anthracite gray	



- Holder
- Tumbler

<b>Holder stainless steel, powder-coated</b>	Cylindrical tumbler made of high-quality matt polyamide	Cylindrical tumbler made of satin finish crystal glass
matt white	<b>162.04.11060 AS</b> Tumbler signal white matt	<b>900.04.00060 DX</b>
matt dark gray pearl mica	<b>162.04.11060 ER</b> Tumbler signal white matt	<b>900.04.00060 SC</b>
matt black	<b>162.04.11060 CV</b> Tumbler jet black matt	<b>900.04.00060 DC</b>

800.04...010  
800.04.E01

**HEWI Tumbler** see page 114  
**HEWI Glass tumbler** see page 114

**HEWI Powder coating | Material combinations with synthetic material**

- ...60 AS** matt white | polyamide signal white matt
- ...60 ER** matt dark gray pearl mica | polyamide jet black matt
- ...60 CV** matt black | polyamide jet black matt

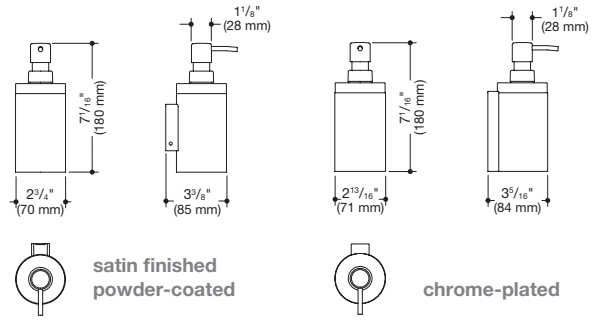


Item Number

Dimensions / Specification



- ☒ Holder, pump head
- ☒ ■ □ Soap dispenser



**HEWI Soap dispenser with holder**

- cylindrical holder
- with protective film on the inside for a secure, defined position and to protect the insert from damage
- ø 2 3/4" (70 mm), 7 1/16" (180 mm) and 3 3/8" (85 mm) deep, incl. pump (for stainless steel satin finished and powder-coated)
- ø 2 13/16" (71 mm), 7 1/16" (180 mm) high and 3 5/16" (84 mm) deep, incl. pump (for metal, chrome-plated)
- capacity approx. 6.8 fl oz (200 ml)
- for wall mounting, concealed fixing
- including non-corrosive HEWI fixing material



- ☒ Holder, pump head
- ☒ ■ □ Soap dispenser

<b>Holder stainless steel</b>	Soap dispenser made of high-quality polyamide Pump head stainless steel-look	Soap dispenser made of satin finish crystal glass Pump head stainless steel-look
<b>satin finished</b>	<b>900.06.001XA 98</b> Soap dispenser signal white	<b>900.06.000XA</b>
<b>satin finished</b>	<b>900.06.001XA 92</b> Soap dispenser anthracite gray	
<b>Holder metal</b>	Soap dispenser made of high-quality polyamide Pump head chrome-plated	Soap dispenser made of satin finish crystal glass Pump head chrome-plated
<b>chrome-plated</b>	<b>900.06.00140 98</b> Soap dispenser signal white	<b>900.06.00040</b>
<b>chrome-plated</b>	<b>900.06.00140 92</b> Soap dispenser anthracite gray	
<b>Holder stainless steel, powder-coated</b>	Soap dispenser made of high-quality matt polyamide Pump head chrome-plated	Soap dispenser made of satin finish crystal glass Pump head chrome-plated
matt white	<b>900.06.00160 AS</b> Soap dispenser signal white matt	<b>900.06.00060 DX</b>
matt dark gray pearl mica	<b>900.06.00160 ER</b> Soap dispenser signal white matt	<b>900.06.00060 SC</b>
matt black	<b>900.06.00160 CV</b> Soap dispenser jet black matt	<b>900.06.00060 DC</b>



- ☒ ■ ■ Holder
- ☒ ■ ■ □ Soap dispenser
- ☒ □ Pump head

- 800.06.E02**
- 67738**
- 815.06.E01**
- 66988**
- 66989**
- 63907**
- 63910**

- HEWI Container for soap dispenser, polyamide** see page 114
- HEWI Container for soap dispenser, polyamide matt** see page 114
- HEWI Glass container** see page 114
- HEWI Pump head, stainless steel look (for 900.06.000XA)** s. p. 115
- HEWI Pump head, stainless steel look (for 900.06.001XA)** s. p. 115
- HEWI Pump head, chrome-plated (for 900.06.00140, 900.06.00160)**
- HEWI Pump head, chrome-plated (for 900.06.00040, 900.06.00060)**

**HEWI Colors | Surfaces**

- ☒ ■ ■ □ ...60 DX matt white
- 98 92 XA Chr Glass ■ ■ ...60 SC matt dark gray pearl mica
- ■ ...60 DC matt black

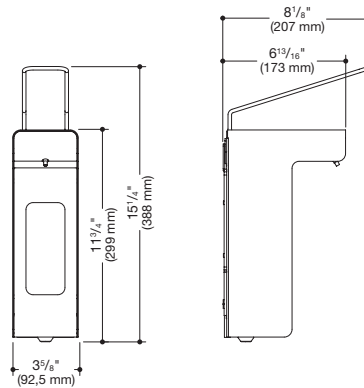
Item Number

Dimensions / Specification

- Basic body
- Front cover



**900.06.002XA**  
**900.06.00261**  
**900.06.00260**



**HEWI Disinfectant or soap dispenser 34 fl oz (1000 ml)**

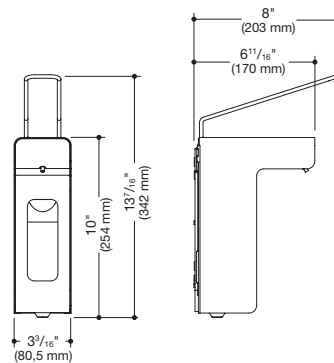
- front cover made of high-quality stainless steel, powder coated white, with viewing window
- for dispensing controlled quantities of alcohol-based hand disinfectants or liquid soaps, for 34 fl oz (1.000 ml) Euro standard bottles
- the disposable bottle are easy to replace from the front
- dispenser with long lever, lockable
- dosing quantity adjustable in several steps: 0.02, 0.03, 0.04, 0.05 fl oz (0.7, 1.0, 1.2, 1.5 ml) (depending on the viscosity of the product)
- dosing pump made of stainless steel
- compatible with hygienic packaging (collapsing bottle with disposable pump)
- dispenser and pump dishwasher safe and autoclavable up to 134 °C, 3 bar
- 3 5/8" (92.5 mm) wide, 15 1/4" (388 mm) high, 8 1/8", (207 mm) deep
- incl. 35 fl oz (1000 ml) empty container for free refilling
- including non-corrosive HEWI fixing material

- basic body made of high-quality stainless steel, satin finished
- basic body made of high-quality stainless steel, white powder-coated
- basic body made of high-quality stainless steel, powder-coated in the HEWI colors DX (matt white), DC (matt black) and SC (matt dark gray pearl mica)

- Basic body
- Front cover



**900.06.003XA**  
**900.06.00361**  
**900.06.00360**



**HEWI Disinfectant or soap dispenser 16.7 fl oz (500 ml)**

- do., 3 3/16" (80.5 mm) wide, 13 7/16" (342 mm) high, 8" (203 mm) deep
- incl. 16.7 fl oz (500 ml) empty container for free refilling
- basic body made of high-quality stainless steel, satin finished
- basic body made of high-quality stainless steel, white powder-coated
- basic body made of high-quality stainless steel, powder-coated in the HEWI colors DX (matt white), DC (matt black) and SC (matt dark gray pearl mica)

**900.06.E0660**  
**900.06.E0560**

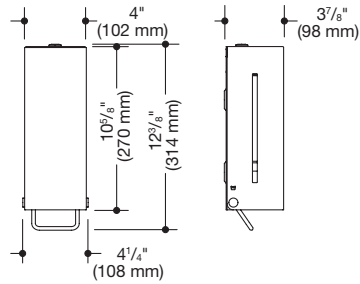
**HEWI Drip tray for 900.06.002...** see page 116  
**HEWI Drip tray for 900.06.003...** see page 116

Item Number

Dimensions / Specification



**900.06.004XA**  
**900.06.00460**



**HEWI Soap dispenser**

- to be filled with standard liquid soap
- with inner container for free filling, capacity 20.3 fl oz (600 ml)
- inner container can be removed for cleaning, side level indicator
- for wall mounting, locking system as protection against misuse
- 4" (102 mm) wide, 10 5/8" (270 mm) high and 3 7/8" (98 mm) deep
- made of high-quality stainless steel

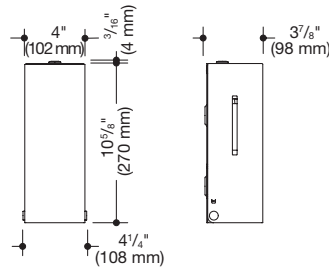
- satin finished
- powder-coated in HEWI colors DX (matt white), SC (matt dark gray pearl mica) and DC (matt black)



**HEWI SENSORIC**



**900.06.005XA**  
**900.06.00560**



**HEWI SENSORIC Soap dispenser**

- to be filled with standard liquid soap, maintenance-free
- with inner container for free filling, capacity 16.7 fl oz (500 ml)
- inner container can be removed for cleaning, side level indicator
- non-contact soap dispensing, with battery change indicator
- for wall mounting, locking system as protection against misuse
- 4" (102 mm) wide, 10 5/8" (270 mm) high and 3 7/8" (98 mm) deep
- batteries (AA 1,5 V/4 pcs.) not included in delivery
- made of high-quality stainless steel

- satin finished
- powder-coated in HEWI colors DX (matt white), SC (matt dark gray pearl mica) and DC (matt black)

**HEWI SENSORIC Foam soap dispenser**

- do., to be filled with standard foam soap

- satin finished
- powder-coated in HEWI colors DX (matt white), SC (matt dark gray pearl mica) and DC (matt black)

**HEWI SENSORIC Disinfectant dispenser**

- do., to be filled with standard disinfectant

- satin finished
- powder-coated in HEWI colors DX (matt white), SC (matt dark gray pearl mica) and DC (matt black)

**HEWI SENSORIC**

**900.06.008XA**  
**900.06.00860**



**HEWI Colors | Surfaces**

**900.06.E0660**

**HEWI Drip tray** see page 116

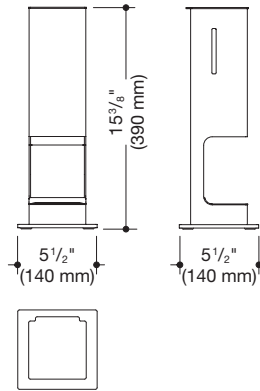
- ...60 DX** matt white
- ...60 SC** matt dark gray pearl mica
- ...60 DC** matt black

Item Number

Dimensions / Specification



900.06.01560



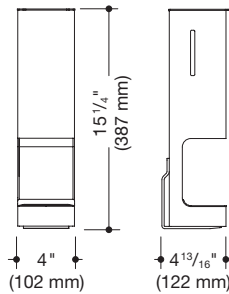
**HEWI SENSORIC Disinfectant dispenser, upright model**

- to be filled with standard disinfectant
- incl. base plate in dispenser color
- screw connection to the counter/table possible (anti-theft protection)
- non-contact disinfectant dispensing
- disinfectant is dispensed as a spray
- illumination of the output area when the sensor is activated (blue light)
- with inner container for free filling, capacity 16.7 fl oz (500 ml)
- side level indicator
- removable drip tray made of synthetic material and inlay in HEWI color 90 (jet black)
- locking position for removing the pump or changing the battery
- 15 3/8" (390 mm) high, 5 1/2" (140 mm) deep, 5 1/2" (140 mm) wide, weight approx. 8.8 lbs (4 kg)
- made of high-quality stainless steel, powder-coated in HEWI colors DX (matt white), SC (matt dark gray pearl mica) and DC (matt black)
- batteries (AA 1,5 V/4 pcs.) not included in delivery

**HEWI SENSORIC**



900.06.01660



**HEWI SENSORIC Disinfectant dispenser, wall model**

- to be filled with standard disinfectant
- non-contact disinfectant dispensing
- disinfectant is dispensed as a spray
- illumination of the output area when the sensor is activated (blue light)
- with inner container for free filling, capacity 16.7 fl oz (500 ml)
- side level indicator, for wall mounting
- removable drip tray made of synthetic material and inlay in HEWI color 90 (jet black)
- locking position for removing the pump or changing the battery
- 15 1/4" (387 mm) high, 4 13/16" (122 mm) deep, 4" (102 mm) wide, weight approx. 4 kg
- made of high-quality stainless steel, powder-coated in HEWI colors DX (matt white), SC (matt dark gray pearl mica) and DC (matt black)
- including non-corrosive HEWI fixing material
- batteries (AA 1,5 V/4 pcs.) not included in delivery

**HEWI SENSORIC**



900.06.E02  
900.06.E04  
900.06.E03  
900.06.E0160

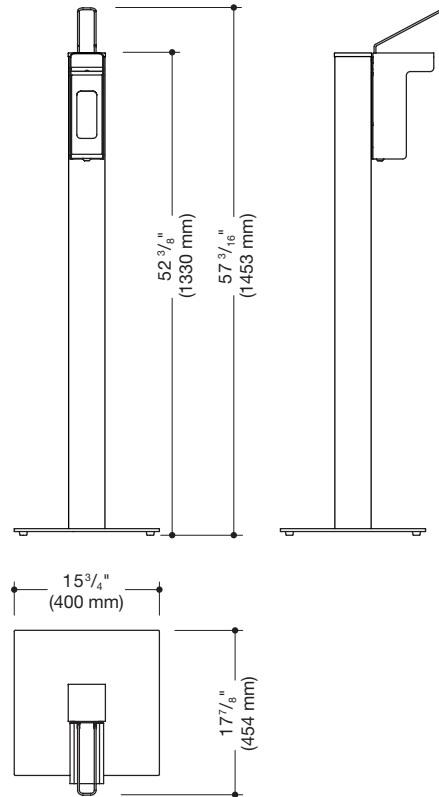
**HEWI Soap tank and soap pump for 900.06.005...** see page 115  
**HEWI Soap tank and soap pump for 900.06.007...** see page 115  
**HEWI Soap tank and soap pump for 900.06.008...** see page 115  
**HEWI Drip tray** see page 116

Item Number

Dimensions / Specification



- Basic body
- Front cover



**HEWI Disinfectant dispenser column**

- comprising disinfectant dispenser and column
  - column with angular base body
  - contains the disinfectant dispenser 900.06.002...
  - front cover made of high-quality stainless steel, with viewing window
  - for dispensing hand disinfectants containing alcohol or liquid soaps
  - for 34 fl oz (1000 ml) Euro standard bottles
  - the disposable bottle are easy to replace from the front
  - dispenser with long lever, lockable
  - dosing quantity adjustable in several steps: 0.02, 0.03, 0.04, 0.05 fl oz (0.7 ml, 1.0 ml, 1.2 ml, 1.5 ml, depending on the viscosity of the product)
  - dosing pump made of stainless steel
  - compatible with hygienic packaging (collapsing bottle with disposable pump)
  - dispenser and pump dishwasher safe and autoclavable up to 134 °C, 3 bar
  - incl. 34 fl oz (1000 ml) empty container for free refilling
  - set: 57 3/16" (1453 mm) high, 17 7/8" (454 mm) deep, 15 3/4" (400 mm) wide
  - including non-corrosive HEWI fixing material
- 900.06.012XA**
- column made of high-quality stainless steel, satin finished, weight approx. 46,3 lbs (21 kg)
  - dispenser made of high-quality stainless steel, satin finished, front cover white powder-coated
- 900.06.01260**
- column made of aluminum, with steel base, powder-coated, weight approx. 33 lbs (15 kg)
  - basic body and dispenser front cover made of high-quality stainless steel, powder-coated in HEWI colors DX (matt white), SC (matt dark gray pearl mica) and DC (matt black)



**HEWI Surfaces**

- ...60 DX matt white
- XA   ...60 SC matt dark gray pearl mica
- ...60 DC matt black

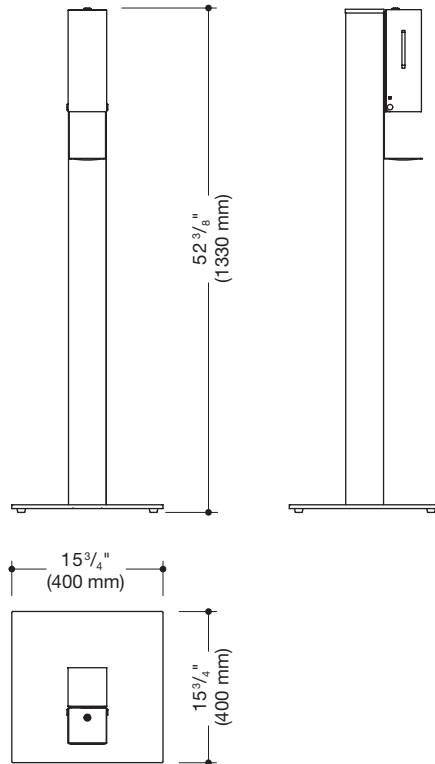
**900.06.E0660**

**HEWI Drip tray** see page 116



**HEWI SENSORIC**

- Basic body
- Drip tray



**HEWI SENSORIC**

**HEWI SENSORIC Disinfectant dispenser column**

- comprising disinfectant dispenser, drip tray and column
- column with angular base body
- contains the disinfectant dispenser 900.06.008...
- with inner container for free filling, capacity 16.7 fl oz (500 ml)
- inner container can be removed for cleaning, side level indicator
- non-contact disinfectant dispensing, with battery change indicator
- disinfectant is dispensed as a spray
- illumination of the output area when the sensor is activated (blue light)
- locking system as protection against misuse, maintenance-free
- drip tray serves to collect dripping disinfectant
- set: 52 3/8" (1330 mm) high, 15 3/4" (400 mm) wide and deep
- including non-corrosive HEWI fixing material
- batteries (AA 1,5 V/4 pcs.) not included in delivery

**900.06.013XA**

- column made of high-quality stainless steel, satin finished, weight approx. 46,3 lbs (21 kg)

**900.06.01360**

- dispenser made of high-quality stainless steel, satin finished
- drip tray powder-coated in HEWI color AY (matt light gray pearl mica)

**900.06.E0160**

- column made of aluminum, with steel base, powder-coated, weight approx. 33 lbs (15 kg)
- dispenser and drip tray made of high-quality stainless steel, powder-coated in HEWI colors DX (matt white), SC (matt dark gray pearl mica) and DC (matt black)

**HEWI Drip tray** see page 116

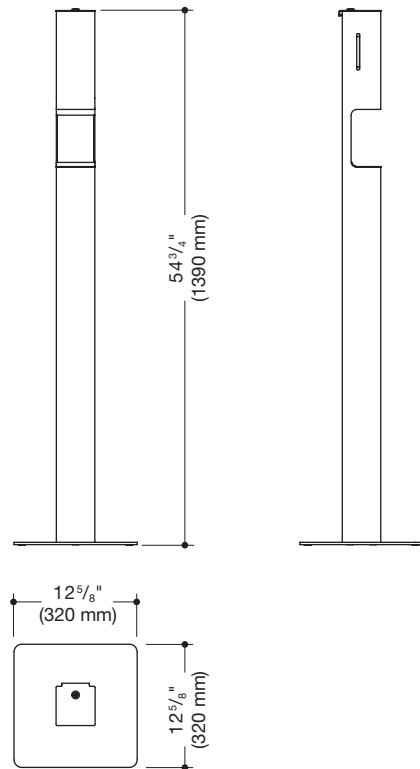
Item Number

Dimensions / Specification



**HEWI SENSORIC**

- Basic body
- Drip tray, base plate



**HEWI SENSORIC**



**900.06.014XA**

**900.06.01460**

**HEWI SENSORIC Disinfectant dispenser column**

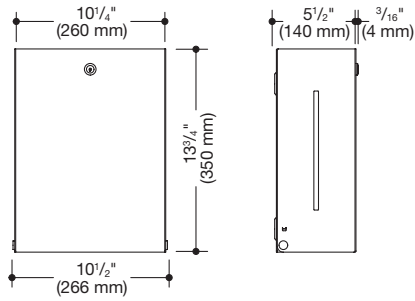
- comprising column with integrated sensor dispenser
- column with angular base body
- with inner container for free filling, capacity 16.7 fl oz (500 ml)
- inner container can be removed for cleaning
- level indicator at the side
- non-contact disinfectant dispensing
- disinfectant is dispensed as a spray
- illumination of the output area when the sensor is activated (blue light)
- with battery change indicator
- maintenance-free
- removable drip tray made of synthetic material in HEWI color 90 (jet black) serves to collect dripping disinfectant
- lockable lid which can be opened for refilling
- locking position for removing the pump or changing the battery
- 54 3/4" (1390 mm) high, 12 5/8" (320 mm) wide and deep, weight approx. 39.7 lbs (18 kg)
- batteries (AA 1,5 V/4 pcs.) not included in delivery
- made of high-quality stainless steel, satin finished
- base plate powder-coated in HEWI color DC (matt black)
- made of high-quality stainless steel, powder-coated in HEWI colors DX (matt white), SC (matt dark gray pearl mica) and DC (matt black)

**HEWI Surfaces**

- ...60 DX** matt white
- ...60 SC** matt dark gray pearl mica
- ...60 DC** matt black

Item Number

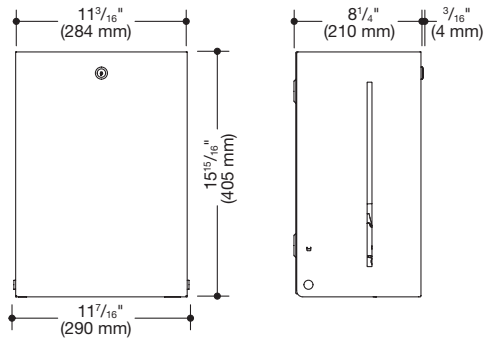
Dimensions / Specification



**HEWI Paper towel dispenser**

- to hold standard paper towels with different folds in the width  $9\frac{1}{4}'' - 9\frac{13}{16}''$  (235 - 250 mm) and folded length / depth of  $3\frac{1}{8}'' - 4\frac{5}{16}''$  (80 - 110 mm) (HEWI recommends paper towels with Z-fold)
- capacity approx. 300 - 450 paper towels
- side level indicator
- locking system as protection against misuse
- $10\frac{1}{4}''$  (260 mm) wide,  $13\frac{3}{4}''$  (350 mm) high and  $5\frac{1}{2}''$  (140 mm) deep
- for wall mounting
- made of high-quality stainless steel
- satin finished
- powder-coated in HEWI colors DX (matt white), SC (matt dark gray pearl mica) and DC (matt black)

900.06.009XA  
900.06.00960



**HEWI Electronic paper roll dispenser**

- to hold standard paper rolls with external unwinding, max. roll width  $8\frac{1}{4}''$  (210 mm), max. roll  $\varnothing 7\frac{7}{8}''$  (200 mm), sleeve  $\varnothing 1\frac{1}{2}''$  (38 mm)
- side level indicator, easy paper roll replacement
- with battery change indicator
- automatic paper output at the washbasin after the paper has been torn off, integrated tear-off edge
- locking system as protection against misuse, maintenance-free
- $11\frac{3}{16}''$  (284 mm) wide,  $15\frac{15}{16}''$  (405 mm) high and  $8\frac{1}{4}''$  (210 mm) deep
- for wall mounting
- made of high-quality stainless steel
- including non-corrosive HEWI fixing material
- batteries (D-Mono-LR20-1,5 V/4 pcs.) not included in delivery
- convertible to mains connection 950.06.E01
- satin finished
- powder-coated in HEWI colors DX (matt white), SC (matt dark gray pearl mica) and DC (matt black)

900.06.010XA  
900.06.01060



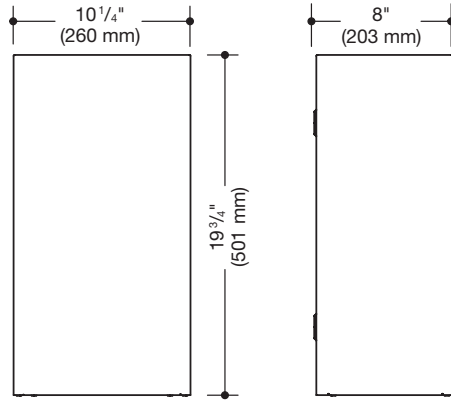


Item Number

Dimensions / Specification



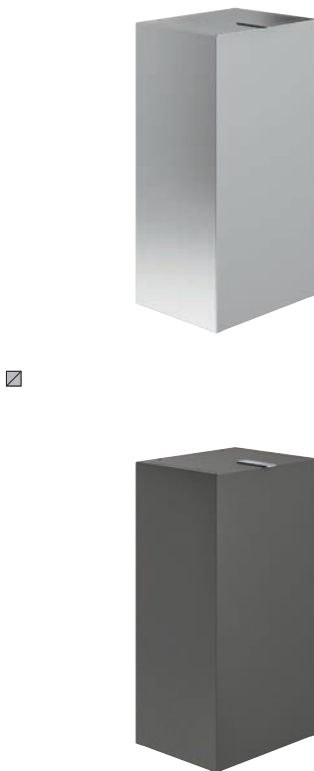
**900.05.001XA**  
**900.05.00160**



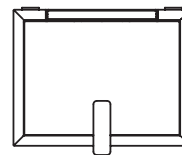
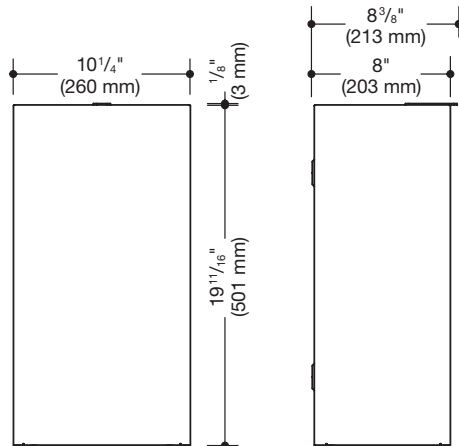
**HEWI Wastepaper bin**

- capacity approx. 845.4 fl oz (25 l)
- invisible, integrated bag holder with pull-out function for easy insertion and removal of the bag
- 10 1/4" (260 mm), 19 3/4" (501 mm) high and 8" (203 mm) deep
- for wall mounting
- made of high-quality stainless steel

- satin finished
- powder-coated in HEWI colors DX (matt white), SC (matt dark gray pearl mica) and DC (matt black)



**900.05.002XA**  
**900.05.00260**



**HEWI Wastepaper bin**

- do., with lid
- satin finished
- powder-coated in HEWI colors DX (matt white), SC (matt dark gray pearl mica) and DC (matt black)

**HEWI Surfaces**

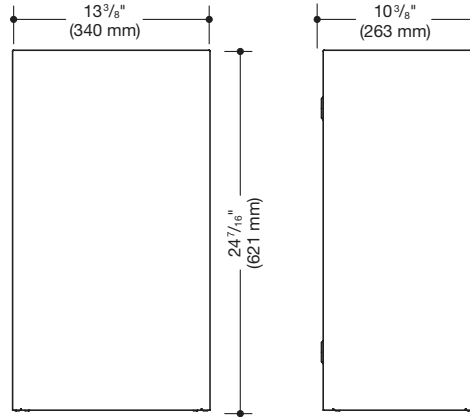
- ☒ ...60 DX matt white
- ☐ ...60 SC matt dark gray pearl mica
- ...60 DC matt black

Item Number

Dimensions / Specification



900.05.003XA  
900.05.00360

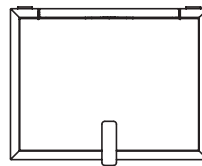
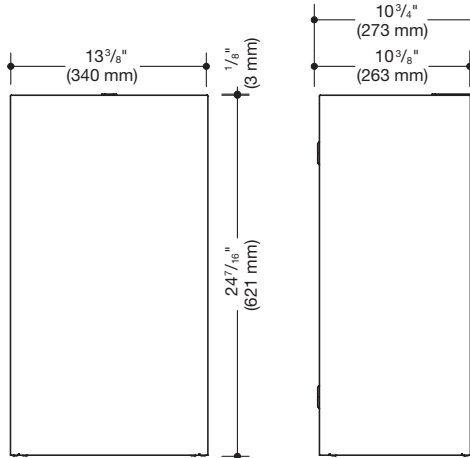


**HEWI Wastepaper bin**

- capacity approx. 2028.8 fl oz (60 l)
- invisible, integrated bag holder with pull-out function for easy insertion and removal of the bag
- 13 3/8" (340 mm) wide, 24 7/16" (621 mm) high and 10 3/8" (263 mm) deep
- for wall mounting
- made of high-quality stainless steel
- satin finished
- powder-coated in HEWI colors DX (matt white), SC (matt dark gray pearl mica) and DC (matt black)



900.05.004XA  
900.05.00460



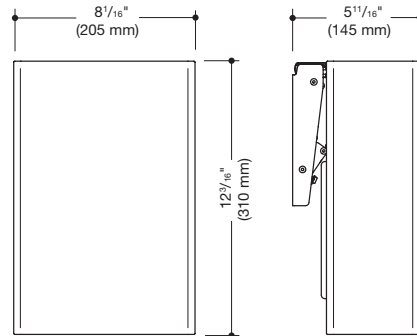
**HEWI Wastepaper bin**

- do., with lid
- satin finished
- powder-coated in HEWI colors DX (matt white), SC (matt dark gray pearl mica) and DC (matt black)



Item Number

Dimensions / Specification



**900.05.000XA**  
**900.05.00060**

**HEWI Waste bin, operation by knee**

- with hinged lid, lid with soft-close
- waste bin is detachable
- lid opens by applying slight pressure to container with the knee
- invisible, integrated bag holder
- for wall mounting
- capacity approx. 2 fl oz (6 l)
- 8 1/16" (205 mm) wide, 12 3/16" (310 mm) high, 5 11/16" (145 mm) deep
- made of high-quality stainless steel
- satin finished
- powder-coated in HEWI colors DX (matt white), SC (matt dark gray pearl mica) and DC (matt black)

**HEWI Surfaces**

- ☑  ...60 DX matt white
- XA   ...60 SC matt dark gray pearl mica
- ...60 DC matt black

Item Number

Dimensions / Specification



- Holder
- Shelf

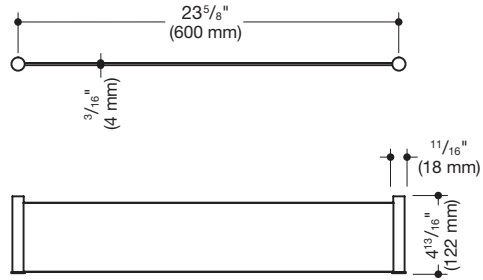


- Holder
- Shelf



- Holder
- Shelf

**162.03.1105XA**  
**162.03.110540**  
**162.03.11560**



**HEWI Shelf**

- consisting of two holding elements and glass shelf
- holder made of high-quality stainless steel  $\varnothing$  11/16" (18 mm)
- shelf made of glass 3/16" (4 mm), matt sandblasted underside
- 23 5/8" (600 mm) wide and 4 13/16" (122 mm) deep
- for wall mounting, concealed fixing
- not suitable for use in the shower
- including non-corrosive HEWI fixing material
- satin finished
- chrome-plated
- powder-coated in HEWI colors DX (matt white), SC (matt dark gray pearl mica) and DC (matt black)



- Holder
- Shelf

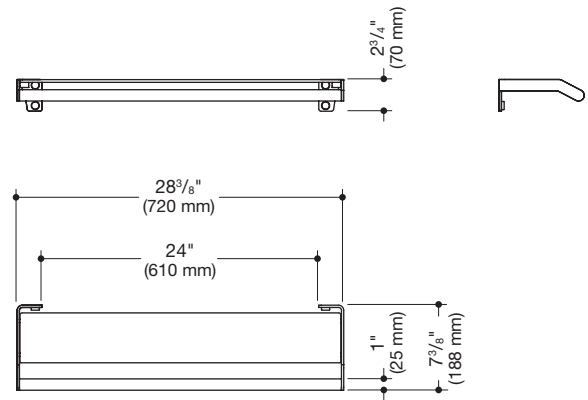


- Holder
- Shelf



- Holder
- Shelf

**900.03.000XA**  
**900.03.00040**  
**900.03.00060**

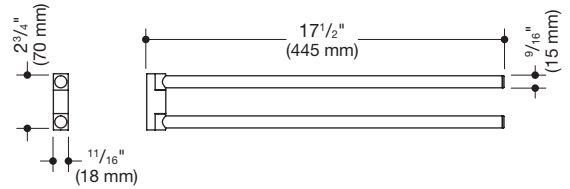


**HEWI Shelf with support rail**

- shelf with integrated support rail at the front
- continuous mirror solution possible
- holder made of high-quality stainless steel
- glass plate with anti-splinter film, white back-painted
- 28 3/8" (720 mm) wide, 2 3/4" (70 mm) high, 7 3/8" (188 mm) deep
- support rail  $\varnothing$  1" (25 mm)
- including non-corrosive HEWI fixing material
- satin finished
- chrome-plated
- powder-coated in HEWI colors DX (matt white), SC (matt dark gray pearl mica) and DC (matt black)

Item Number

Dimensions / Specification

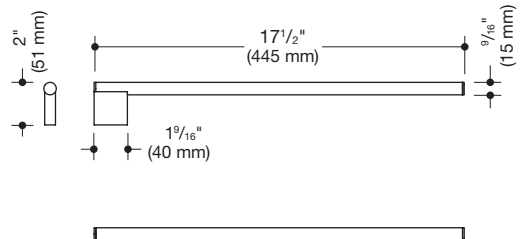


**162.09.100XA**  
**162.09.10040**  
**162.09.10060**



**HEWI Towel rail**

- towel rail with two cylindrical arms arranged above each other
- the arms can be swung to the side separately
- made of high-quality stainless steel
- 17 1/2" (445 mm) long, 2 3/4" (70 mm) high, arms  $\varnothing$  9/16" (15 mm)
- for wall mounting, concealed fixing
- including non-corrosive HEWI fixing material
- satin finished
- chrome-plated
- powder-coated in HEWI colors DX (matt white), SC (matt dark gray pearl mica) and DC (matt black)



**900.09.001XA**  
**900.09.00140**  
**900.09.00160**



**HEWI Towel rail**

- towel rail with a cylindrical holding arm, fixed
- made of high-quality stainless steel
- 17 1/2" (445 mm) long, 2" (51 mm) high
- holding arm  $\varnothing$  9/16" (15 mm)
- for wall mounting, concealed fixing
- including non-corrosive HEWI fixing material
- satin finished
- chrome-plated
- powder-coated in HEWI colors DX (matt white), SC (matt dark gray pearl mica) and DC (matt black)

**HEWI Colors | Surfaces**

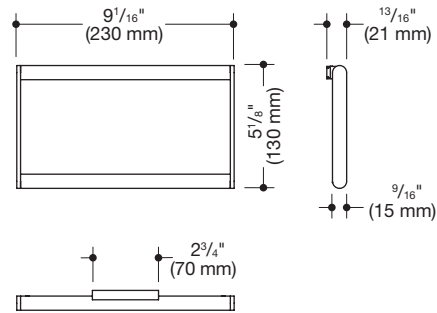
- 98  92  XA Chr Glass  ...60 DX matt white  
 ...60 SC matt dark gray pearl mica  
 ...60 DC matt black

Item Number

Dimensions / Specification



900.09.002XA  
900.09.00240  
900.09.00260



**HEWI Towel ring**

- closed towel ring, rectangular
- the ring can be swivelled
- made of high-quality stainless steel
- 9 1/16" (230 mm) wide, 5 1/8" (130 mm) high, ø 9/16" (15 mm)
- for wall mounting, concealed fixing
- including non-corrosive HEWI fixing material

- satin finished
- chrome-plated
- powder-coated in HEWI colors DX (matt white), SC (matt dark gray pearl mica) and DC (matt black)



Holder  
 Insert

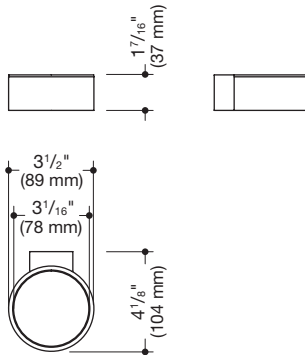


Holder  
 Insert



Holder  
 Insert

900.00.000XA  
900.00.00040  
900.00.00060



**HEWI Hair dryer holder**

- holder made of high-quality stainless steel
- with insert to protect against damage to the hairdryer
- insert made of high-quality synthetic material in HEWI colors 92 (anthracite gray) and 98 (signal white) resp. signal white matt and jet black matt
- inside 3 1/16" (78 mm) wide, 1 7/16" (37 mm) high, 4 1/8" (104 mm) deep
- for wall mounting, concealed fixing
- including non-corrosive HEWI fixing material

- satin finished
- chrome-plated
- powder-coated in HEWI colors AS (matt white) and ER (matt dark gray pearl mica) with insert made of matt white polyamide or powder-coated in HEWI color CV (matt black) with insert made of matt black polyamide

Please advise color of insert resp. color combination when ordering.

**HEWI Powder coating | Material combinations**

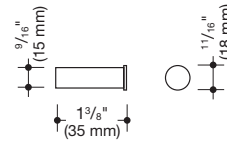
- ...60 AS matt white | white synthetic material
- ...60 ER matt dark gray pearl mica | white synthetic material
- ...60 CV matt black | black synthetic material

Item Number

Dimensions / Specification



**162.90.010XA**  
**162.90.01040**  
**162.90.01060**



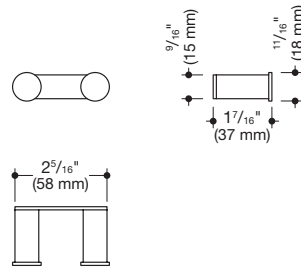
**HEWI Single hook**

- cylindrical hook
- made of high-quality stainless steel
- 1 3/8" (35 mm) long, ø 11/16" (18 mm) high
- for wall mounting, concealed fixing
- including non-corrosive HEWI fixing material (BM1221)

- satin finished
- chrome-plated
- powder-coated in HEWI colors DX (matt white), SC (matt dark gray pearl mica) and DC (matt black)



**162.90.030XA**  
**162.90.03040**  
**162.90.03060**



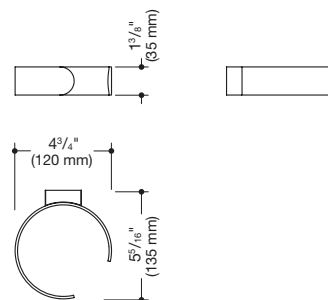
**HEWI Double hook**

- double hook with two cylindrical hook elements
- 2 5/16" (58 mm) wide, ø 11/16" (18 mm) high, 1 7/16" (37 mm) deep
- for wall mounting, concealed fixing
- including non-corrosive HEWI fixing material

- made of high-quality stainless steel, satin finished
- made of metal, high-quality chrome-plated
- made of high-quality stainless steel, powder-coated in HEWI colors DX (matt white), SC (matt dark gray pearl mica) and DC (matt black)



**900.90.001XA**  
**900.90.00140**  
**900.90.00160**



**HEWI Walking aid holder**

- made of high-quality stainless steel
- 4 3/4" (120 mm) wide, 1 3/8" (35 mm) high, 5 5/16" (135 mm) deep
- for wall mounting, concealed fixing
- including non-corrosive HEWI fixing material

- satin finished
- chrome-plated
- powder-coated in HEWI colors DX (matt white), SC (matt dark gray pearl mica) and DC (matt black)

**HEWI Colors | Surfaces**

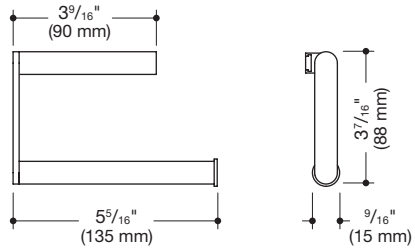
- ☒ 98 92 90 XA Chr ...60 DX matt white
- ...60 SC matt dark gray pearl mica
- ...60 DC matt black

Item Number

Dimensions / Specification



900.21.000XA  
900.21.00040  
900.21.00060



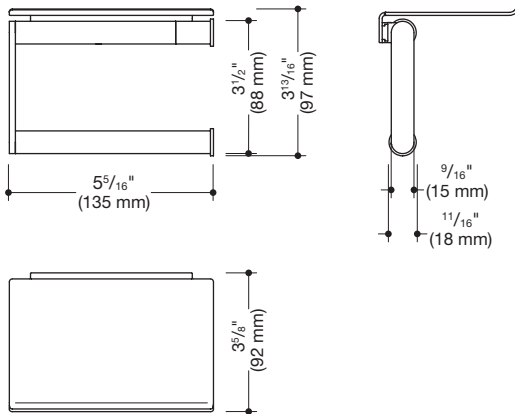
**HEWI Toilet roll holder**

- U-shaped holder, open on the right-hand side
- made of high-quality stainless steel, hinged
- 5 5/16" (135 mm) wide, 3 7/16" (88 mm) high, ø 9/16" (15 mm)
- for wall mounting, concealed fixing
- including non-corrosive HEWI fixing material

- satin finished
- chrome-plated
- powder-coated in HEWI colors DX (matt white), SC (matt dark gray pearl mica) and DC (matt black)



900.21.004XA  
900.21.00440  
900.21.00460



**HEWI Toilet roll holder with shelf**

- U-shaped holder with shelf, opens to the right
- hinged
- made of high-quality stainless steel
- 5 5/16" (135 mm) wide, 3 13/16" (97 mm) high, ø 9/16" (15 mm)
- shelf 5 5/16" (135 mm) wide, 3 5/8" (92 mm) deep
- for wall mounting, concealed fixing
- including non-corrosive HEWI fixing material

- satin finished
- chrome-plated
- powder-coated in HEWI colors DX (matt white), SC (matt dark gray pearl mica) and DC (matt black)

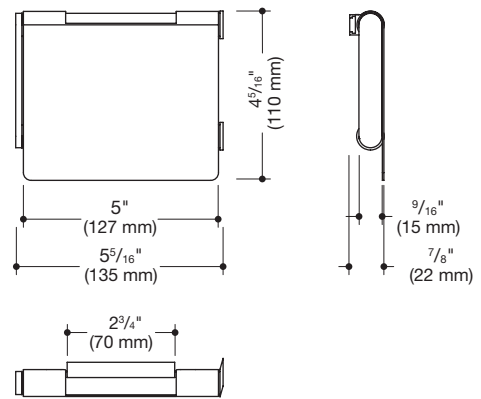


Item Number

Dimensions / Specification



**900.21.005XA**  
**900.21.00540**  
**900.21.00560**

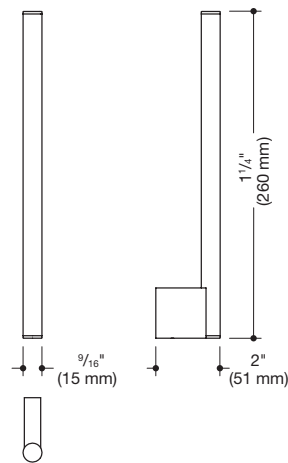


**HEWI Toilet roll holder with lid**

- U-shaped holder with lid, opened to the right
  - hinged
  - made of high-quality stainless steel
  - 5 5/16" (135 mm) wide, 4 5/16" (110 mm) high, ø 9/16" (15 mm)
  - for wall mounting, concealed fixing
  - including non-corrosive HEWI fixing material
- satin finished
  - chrome-plated
  - powder-coated in HEWI colors DX (matt white), SC (matt dark gray pearl mica) and DC (matt black)



**900.21.006XA**  
**900.21.00640**  
**900.21.00660**



**HEWI Spare roll holder**

- cylindrical spare roll holder for holding two toilet rolls
  - made of high-quality stainless steel
  - 1 1/4" (260 mm) long, 2" (51 mm) deep, ø 9/16" (15 mm)
  - for wall mounting, concealed fixing
  - including non-corrosive HEWI fixing material
- satin finished
  - chrome-plated
  - powder-coated in HEWI colors DX (matt white), SC (matt dark gray pearl mica) and DC (matt black)

**HEWI Surfaces**

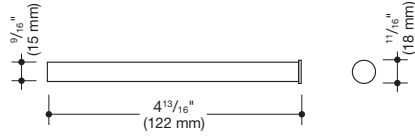
- ☒ ...60 DX matt white
- XA Chr ...60 SC matt dark gray pearl mica
- ...60 DC matt black

Item Number

Dimensions / Specification

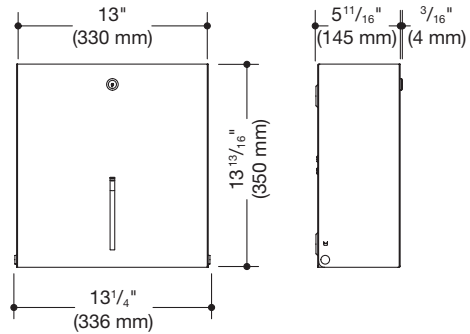


**162.21.300XA**  
**162.21.30040**  
**162.21.30060**



**HEWI Spare roll holder**

- cylindrical holder
- made of high-quality stainless steel
- 4 13/16" (122 mm) long,  $\varnothing$  9/16" (15 mm)
- for wall mounting, concealed fixing
- including non-corrosive HEWI fixing material (BM1221)
- satin finished
- chrome-plated
- powder-coated in HEWI colors DX (matt white), SC (matt dark gray pearl mica) and DC (matt black)

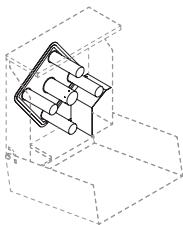


**HEWI Large toilet roll holder**

- for holding a standard large toilet roll in diameters from 9 13/16" - 12 5/8" (250 - 320 mm)
- level indicator at the front
- for wall mounting, locking system as protection against misuse
- 13" (330 mm) wide, 13 3/4" (350 mm) high and 5 11/16" (145 mm) deep
- made of high-quality stainless steel
- tear-off edge made of stainless steel
- extension possible with carousel 900.21.E01
- including non-corrosive HEWI fixing material

**900.21.001XA**  
**900.21.00160**

- satin finished
- powder-coated in the HEWI colors DX (matt white), SC (matt dark gray pearl mica) and DC (matt black)



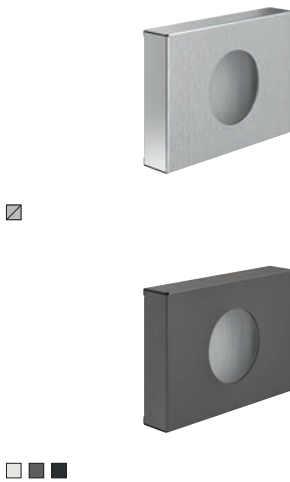
**900.21.E01**

**HEWI Carousel**

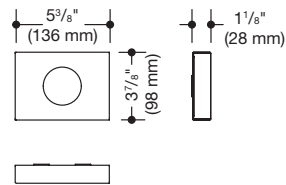
- for conversion from large toilet roll holder to quadruple toilet roll holder
- optionally available

Item Number

Dimensions / Specification

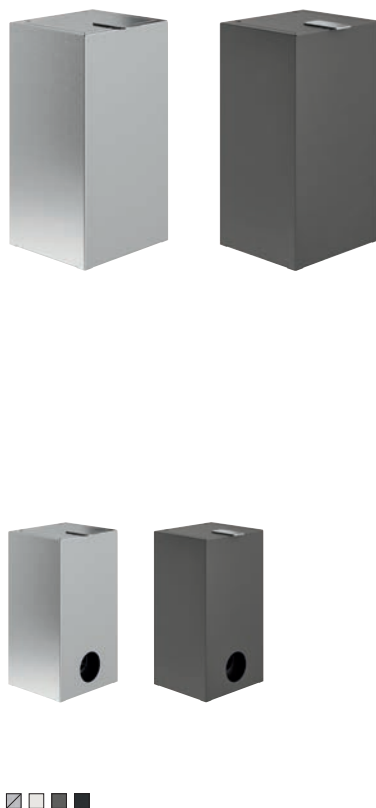


**900.06.011XA**  
**900.06.01160**



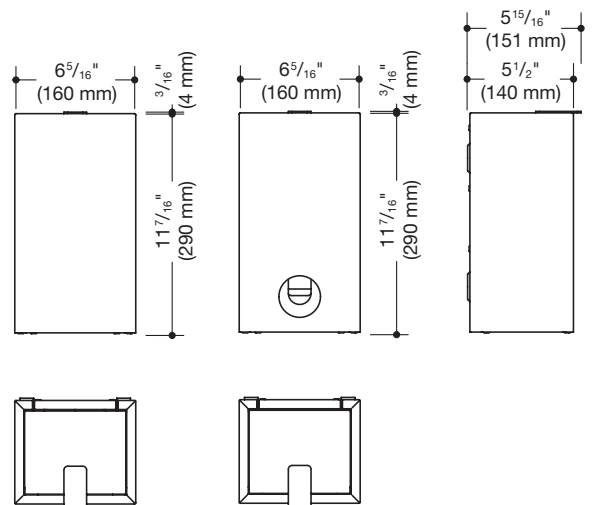
**HEWI Hygiene bag dispenser**

- holds and dispenses proprietary hygiene bags made of synthetic material (max. package size L 5 1/8" x W 3 9/16" x H 13/16" (L 130 x W 90 x H 20 mm))
- for wall mounting
- 5 3/8" (136 mm wide), 3 7/8" (98 mm) high and 1 1/8" (27.5 mm) deep
- made of high-quality stainless steel
- including non-corrosive HEWI fixing material
- satin finished
- powder-coated in HEWI colors DX (matt white), SC (matt dark gray pearl mica) and DC (matt black)



**900.05.005XA**  
**900.05.00560**

**900.05.006XA**  
**900.05.00660**



**HEWI Hygiene waste bin**

- capacity approx. 202.9 fl oz (6l), for wall mounting
- invisible, integrated bag holder with pull-out function for easy insertion and removal of the bag
- lid with lifting tab
- 6 5/16" (160 mm wide), 11 7/16" (290 mm) high and 5 1/2" (140 mm) deep
- made of high-quality stainless steel

**HEWI Hygiene combination**

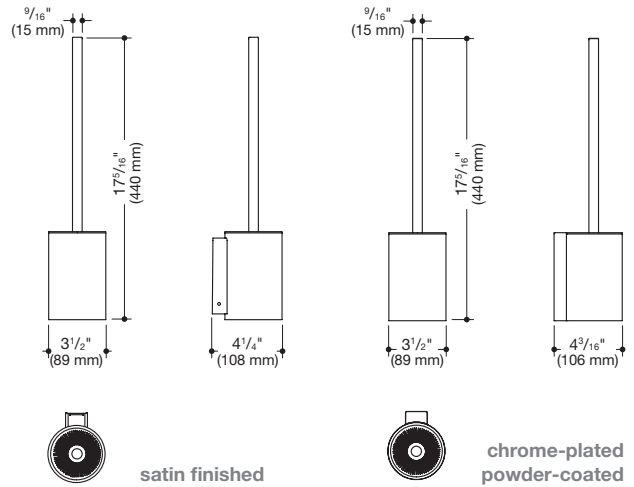
- do., with integrated holder for standard hygiene bags made of synthetic material (max. pack size L 5 1/8" x W 3 9/16" x H 13/16" (L 130 x W 90 x H 20 mm))
- satin finished
- powder-coated in HEWI colors DX (matt white), SC (matt dark gray pearl mica) and DC (matt black)

**HEWI Surfaces**

- ☑    **...60 DX** matt white
- XA Chr    **...60 SC** matt dark gray pearl mica
- ...60 DC** matt black

Item Number

Dimensions / Specification



900.20.000XA

900.20.00040

900.20.00060

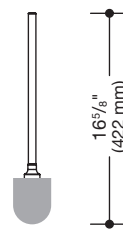


66823

**HEWI Toilet brush unit**

- brush head can be replaced due to bayonet fixing
- black inner container can be removed for cleaning
- for wall mounting, concealed fixing
- including non-corrosive HEWI fixing material
- made of high-quality stainless steel, satin finished
- $\varnothing$  3 1/2" (89 mm) wide, 17 5/16" (440 mm) high, 4 1/4" (108 mm) deep
- made of metal, high-quality chrome-plated
- $\varnothing$  3 1/2" (89 mm) wide, 17 5/16" (440 mm) high, 4 3/16" (106 mm) deep
- made of high-quality stainless steel, powder-coated in HEWI colors DX (matt white), SC (matt dark gray pearl mica) and DC (matt black)
- $\varnothing$  3 1/2" (89 mm) wide, 17 5/16" (440 mm) high, 4 1/4" (108 mm) deep

**HEWI Insert for toilet brush unit** see page 117



805.20.020

100.20.01040

900.20.01060



92105...

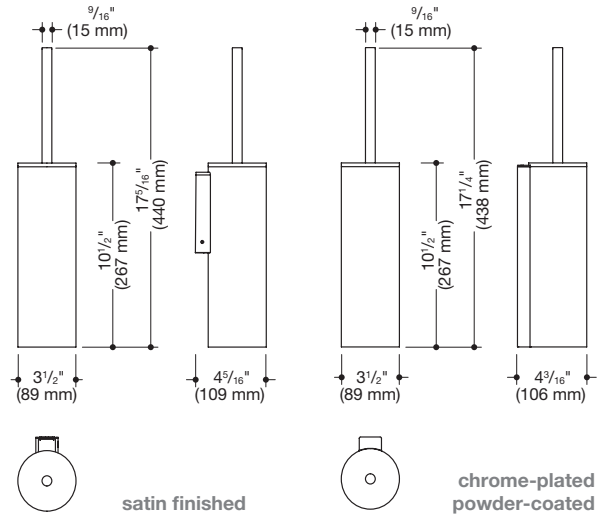
**HEWI Toilet brush**

- brush handle with replaceable brush head
- brush head can be replaced due to bayonet fixing
- 16 5/8" (422 mm),  $\varnothing$  3" (76 mm)
- brush handle made of high-quality stainless steel, satin finished
- brush handle chrome-plated
- brush handle powder-coated in HEWI colors DX (matt white), SC (matt dark gray pearl mica) and DC (matt black)

**HEWI Brush head** see page 117

Item Number

Dimensions / Specification



**HEWI Toilet brush unit with lid**

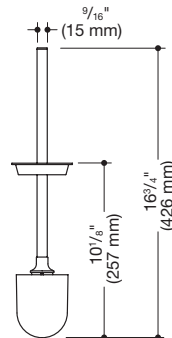
- consisting of holder, toilet brush container and brush
  - brush head can be replaced due to bayonet fixing
  - inner container can be removed for cleaning
  - ø 3 1/2" (89 mm), 17 1/4" (438 mm) high, 4 5/16" (109 mm) or 4 3/16" (106 mm) deep
  - for wall mounting, concealed fixing
  - including non-corrosive HEWI fixing material
- made of high-quality stainless steel, satin finished
  - ø 3 1/2" (89 mm) wide, 17 5/16" (440 mm) high, 4 5/16" (108 mm) deep
- made of metal, high-quality chrome-plated
  - ø 3 1/2" (89 mm) wide, 17 1/4" (438 mm) high, 4 3/16" (106 mm) deep
- made of high-quality stainless steel, powder-coated in HEWI colors DX (matt white), SC (matt dark gray pearl mica) and DC (matt black)
  - ø 3 1/2" (89 mm) wide, 17 1/4" (438 mm) high, 4 3/16" (106 mm) deep



**900.20.001XA**

**900.20.00140**

**900.20.00160**



**HEWI Toilet brush with lid**

- suitable for toilet brush unit 900.20.001...
  - brush handle with replaceable brush head
  - brush head can be replaced due to bayonet fixing
  - 16 3/4" (426 mm), ø 3" (76 mm)
- satin finished
  - chrome-plated
  - powder-coated in HEWI colors DX (matt white), SC (matt dark gray pearl mica) and DC (matt black)



**900.20.020XA**

**900.20.02040**

**900.20.02060**

**HEWI Surfaces**

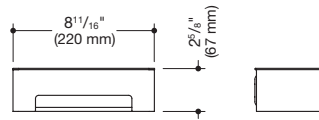
- ...60 DX matt white
- ...60 SC matt dark gray pearl mica
- ...60 DC matt black

Item Number

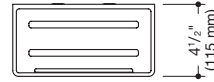
Dimensions / Specification



☑ Holder  
☑ ■ Insert



☐ Holder  
☑ ■ Insert



☐ ■ Holder  
☑ ■ ■ Insert

**900.03.001XA**  
**900.03.00140**  
**900.03.00160**

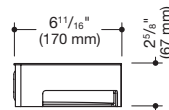
**HEWI Shower basket**

- made of high-quality stainless steel, for wall mounting
- insert made of high-quality synthetic material in HEWI colors 98 (signal white), 92 (anthracite gray) and 90 (jet black)
- 8 11/16" (220 mm) wide, 2 5/8" (67 mm) high, 4 1/2" (115 mm) deep
- including non-corrosive HEWI fixing material
- satin finished
- chrome-plated
- powder-coated in HEWI colors AS (matt white) with insert made of high-quality synthetic material in HEWI color 98 (signal white) or powder-coated in HEWI colors CV (matt black) and ER (matt dark gray pearl mica) with insert made of high-quality synthetic material in HEWI color 90 (jet black)

Please advise color of insert resp. color combination when ordering.



☑ Holder  
☑ ■ Insert



☐ Holder  
☑ ■ Insert



☐ ■ Holder  
☑ ■ ■ Insert

**900.03.002XA**  
**900.03.00240**  
**900.03.00260**

**HEWI Shower basket**

- made of high-quality stainless steel, for wall mounting
- insert made of high-quality synthetic material in HEWI colors 98 (signal white), 92 (anthracite gray) and 90 (jet black)
- 2 5/8" (67 mm) high, side length 6 11/16" (170 mm)
- including non-corrosive HEWI fixing material
- satin finished
- chrome-plated
- powder-coated in HEWI colors AS (matt white) with insert made of high-quality synthetic material in HEWI color 98 (signal white) or powder-coated in HEWI colors CV (matt black) and ER (matt dark gray pearl mica) with insert made of high-quality synthetic material in HEWI color 90 (jet black)

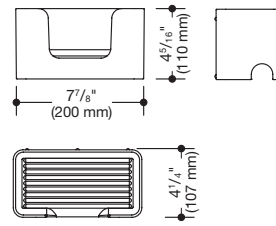
Please advise color of insert resp. color combination when ordering.

**HEWI Powder coating | Material combinations**

- ☐ ■ ...60 AS matt white | white synthetic material
- ☑ ■ ■ ...60 ER matt dark gray pearl mica | white synthetic material
- ☑ ■ ■ ...60 CV matt black | black synthetic material

Item Number

Dimensions / Specification



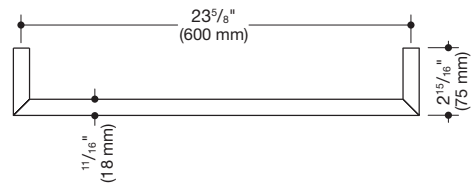
**HEWI Storage box**

- rectangular container with high sides and water run-off
- opening to front
- anti-theft
- non-slip storage surface
- for integration in the HEWI bar system  $\varnothing$  33 mm
- 7 7/8" (200 mm) wide, 4 5/16" (110 mm) high, 4 1/4" (107 mm) deep
- made of high-quality polyamide in 16 HEWI colors
- made of high-quality matt polyamide in 5 HEWI colors

**802.03.200**  
**802.03B200**



Please advise color when ordering.



**HEWI Bath towel rail**

- mitred tube, c to c 23 5/8" (600 mm), 2 15/16" (75 mm) deep,  $\varnothing$  1 1/16" (18 mm)
- for wall mounting, concealed fixing
- including non-corrosive HEWI fixing material
- made of high-quality stainless steel, satin finished
- made of metal, high-quality chrome-plated
- made of high-quality stainless steel, powder-coated in HEWI colors DX (matt white), SC (matt dark gray pearl mica) and DC (matt black)

**162.30.200XA**  
**162.30.20040**  
**162.30.20060**

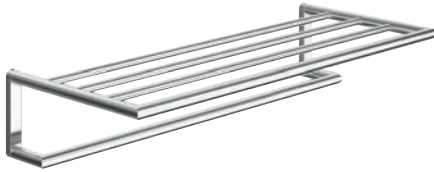


**HEWI Surfaces**

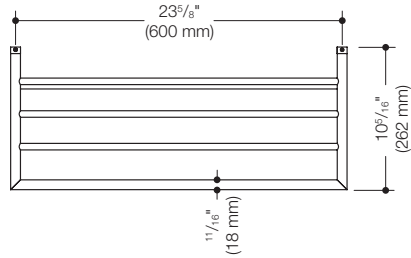
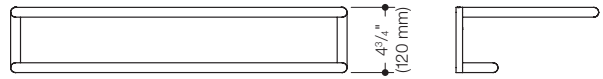
- ☑    **...60 DX** matt white
- XA Chr    **...60 SC** matt dark gray pearl mica
- ...60 DC** matt black

Item Number

Dimensions / Specification



162.30.11040



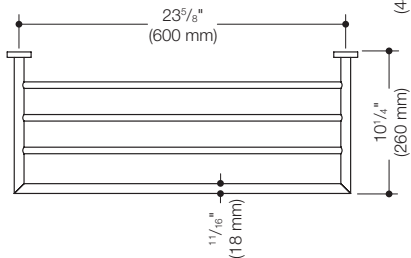
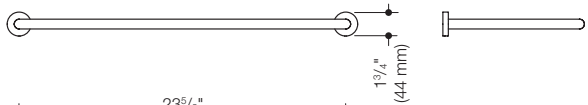
**HEWI Bath towel shelf**

- bath towel shelf with towel rail, mitred
- made of brass tube, high-quality chrome-plated,  $\varnothing$  1 3/4" (18 mm)
- c to c 23 5/8" (600 mm), 24 5/16" (618 mm) wide, 4 3/4" (120 mm) high and 10 5/16" (262 mm) deep
- towel rail on lower level, 77 mm projection
- for wall mounting, concealed fixing
- including non-corrosive HEWI fixing material



950.30.11040

950.30.11001



**HEWI Bath towel shelf**

- made of brass tube, mitred joined
- c to c 23 5/8" (600 mm), 10 1/4" (260 mm) deep, tube  $\varnothing$  1 1/16" (18 mm), roses  $\varnothing$  1 3/4" (44 mm)
- for wall mounting, concealed fixing
- including non-corrosive HEWI fixing material



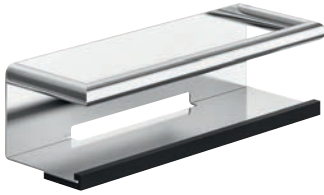
- high-quality chrome-plated

- matt black coated

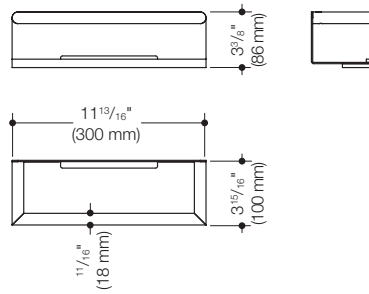


Item Number

Dimensions / Specification



**162.03.20040**  
**162.03.20060**



**HEWI Shower shelf**

- mitred joined
- made of stainless steel tube,  $\varnothing$  18 mm
- for wall mounting with concealed fixing
- with drain openings for water drainage
- 11 13/16" (300 mm) wide, 3 3/8" (86 mm) high and 3 15/16" (100 mm) deep
- internal dimensions 10 3/8" (264 mm) wide and 3 1/4" (82 mm) deep
- including non-corrosive HEWI fixing material

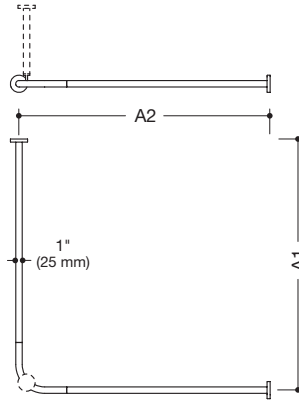
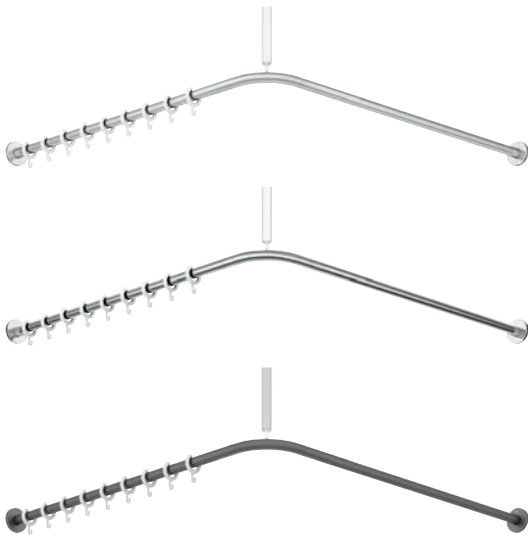
high-quality chrome-plated  
matt black powder-coated

**HEWI Surfaces**

   
Chr

Item Number

Dimensions / Specification



**HEWI Shower curtain rail**

- rails made of high-quality stainless steel,  $\phi$  1" (25 mm), roses  $\phi$  2 3/4" (70 mm)
- can be shortened at the ends to 12 5/8" (320 mm) on site
- fixing with roses to wall and ceiling, ceiling support required
- including non-corrosive and tested HEWI fixing material for wall mounting and sealing tape to seal the drilling points

- satin finished, white curtain rings
- chrome-plated, white curtain rings
- powder-coated in HEWI colors DX (matt white) with white curtain rings, SC (matt dark gray pearl mica) and DC (matt black) with black curtain rings

900.34.10..XA  
900.34.10..40  
900.34.10..60

900.34.100XA  
900.34.10040  
900.34.10060

900.34.101XA  
900.34.10140  
900.34.10160

900.34.102XA  
900.34.10240  
900.34.10260

900.34.103XA  
900.34.10340  
900.34.10360

900.34.104XA  
900.34.10440  
900.34.10460

900.34.10540  
900.34.10560

**for shower tray 31 1/2 x 31 1/2" (800 x 800 mm)**

- c to c 31 x 31" (787 x 787 mm), with 16 curtain rings
- recommended HEWI standard width (F) 90 9/16" (2300 mm)

**for shower tray 35 7/16 x 35 7/16" (900 x 900 mm)**

- c to c 34 15/16 x 34 15/16" (887 x 887 mm), with 18 curtain rings
- recommended HEWI standard width (F) 98 7/16" (2500 mm)

**for shower tray 39 3/8 x 39 3/8" (1000 x 1000 mm)**

- c to c 38 7/8 x 38 7/8" (987 x 987 mm), with 20 curtain rings
- recommended HEWI standard width (F) 114 3/16" (2900 mm)

**for shower tray 47 1/4 x 47 1/4" (1200 x 1200 mm)**

- c to c 46 3/4 x 46 3/4" (1187 x 1187 mm), with 24 curtain rings
- recommended HEWI standard width (F) 137 13/16" (3500 mm)

**for shower tray 59 1/16 x 59 1/16" (1500 x 1500 mm)**

- c to c 58 9/16 x 58 9/16" (1487 x 1487 mm), with 28 curtain rings
- recommended HEWI standard width (F) 157 1/2" (4000 mm)

**for shower tray 78 3/4 x 78 3/4" (2000 x 2000 mm)**

- c to c 78 1/4 x 78 1/4" (1987 x 1987 mm), with 36 curtain rings
- recommended HEWI standard width (F) 2 x 98 7/16" (2 x 2500 mm)

**HEWI Shower curtain rail, special length**

- do., with suitable number of curtain rings, length to order

- satin finished
- chrome-plated
- powder-coated in HEWI colors DX (matt white) with white curtain rings, SC (matt dark gray pearl mica) and DC (matt black) with black curtain rings

	A1	A2
min.	8 11/16" (220 mm)	8 11/16" (220 mm)
max.	78 1/4" (1988 mm)	78 1/4" (1988 mm)

Please advise A1 and A2 when ordering.

**New** 900.34.10SXA  
**New** 900.34.10S40  
**New** 900.34.10S60

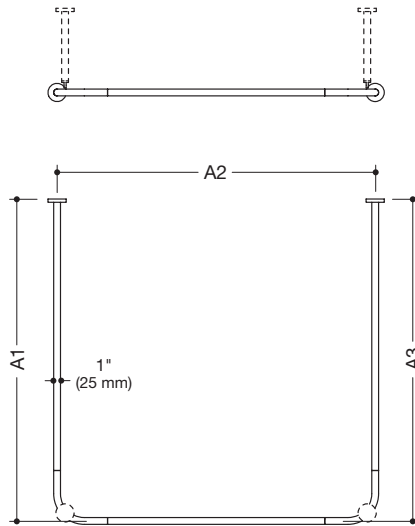
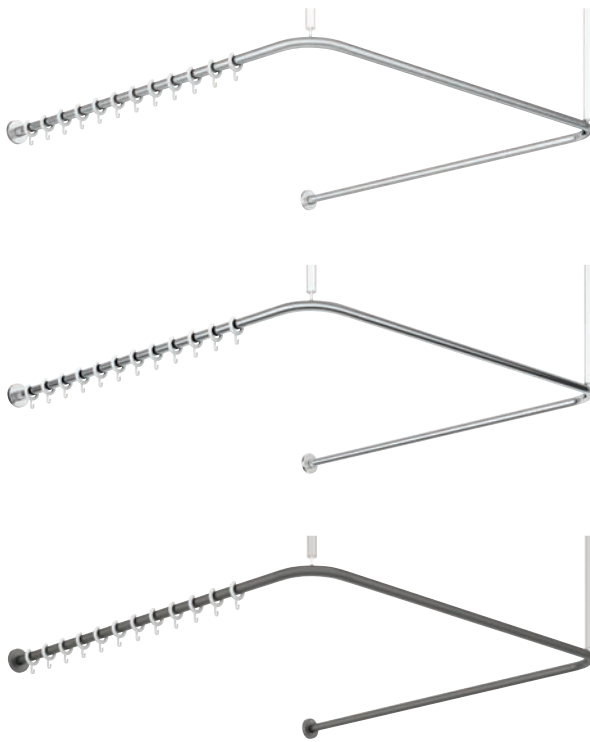


921056  
921060  
6676...., 6797...  
900.34.0...

**HEWI Curtain rings, packing unit 5 pcs., white** see page 117  
**HEWI Curtain rings, packing unit 5 pcs., black** see page 117  
**HEWI Rose** see page 120  
**HEWI Ceiling support** to be ordered separately, see page 59

Item Number

Dimensions / Specification



**HEWI Shower curtain rail**

- made of stainless steel, rails  $\varnothing$  1" (25 mm), roses  $\varnothing$  2 3/4" (70 mm)
- can be shortened at the ends to 12 5/8" (320 mm) on site, middle rail not shortenable
- fixing with roses to wall and ceiling
- 2 ceiling supports required (max. 23 5/8" (600 mm) long)
- including non-corrosive and tested HEWI fixing material for wall mounting and sealing tape to seal the drilling points

- satin finished, white curtain rings
- chrome-plated, white curtain rings
- powder-coated in HEWI colors DX (matt white) with white curtain rings, SC (matt dark gray pearl mica) and DC (matt black) with black curtain rings

**900.34.30..XA**  
**900.34.30..40**  
**900.34.30..60**

**900.34.300XA**  
**900.34.30040**  
**900.34.30060**

**900.34.301XA**  
**900.34.30140**  
**900.34.30160**

**900.34.302XA**  
**900.34.30240**  
**900.34.30260**

- Rails
- Curtain rings

**for shower tray 39 3/8 x 39 3/8" (1000 x 1000 mm)**

- c to c 38 7/8 x 38 3/8 x 38 7/8" (987 x 975 x 987 mm), with 28 curtain rings
- recommended HEWI standard width (F) 157 1/2" (4000 mm)

**for shower tray 47 1/4 x 47 1/4" (1200 x 1200 mm)**

- c to c 46 3/4 x 46 1/4 x 46 3/4" (1187 x 1175 x 1187 mm), with 34 curtain rings
- recommended HEWI standard width (F) 196 7/8" (5000 mm)

**for shower tray 59 1/16 x 59 1/16" (1500 x 1500 mm)**

- c to c 58 9/16 x 58 1/16 x 58 9/16" (1487 x 1475 x 1487 mm), with 46 curtain rings
- recommended HEWI standard width (F) 2 x 118 1/8" (2 x 3000 mm)

**900.34.30SXA**

**HEWI Shower curtain rail, special length**

- do., with suitable number of curtain rings, length to order
- made of stainless steel, satin finished

	A1	A2	A3
min.	8 11/16" (220 mm)	12 5/8" (320 mm)	8 11/16" (220 mm)
max.	66 7/16" (1687 mm)	65 15/16" (1675 mm)	66 7/16" (1687 mm)

Please advise A1, A2 and A3 when ordering.

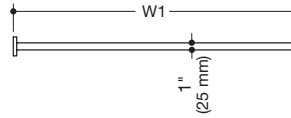
- Rail
- Curtain rings

**HEWI Colors | Surfaces**

- ...60 DX matt white
- 98 XA Chr   ...60 SC matt dark gray pearl mica
- ...60 DC matt black

Item Number

Dimensions / Specification



**HEWI Shower curtain rail**

- made of stainl. steel, rail  $\varnothing$  1" (25 mm), roses  $\varnothing$  2 3/4" (70 mm)
- can be shortened at the ends to 7 7/8" (200 mm) on site
- recommended curtain width 47 1/4" (1200 mm)
- including non-corrosive and tested HEWI fixing material for wall mounting and sealing tape for sealing the drilling points

900.34.40...XA  
900.34.40...40  
900.34.40...60

- satin finished
- chrome-plated
- powder-coated in HEWI colors DX (matt white) with white curtain rings, SC (matt dark gray pearl mica) and DC (matt black) with black curtain rings

900.34.400XA  
900.34.40040  
900.34.40060

- length 39 3/8" (1000 mm), with 10 curtain rings

900.34.401XA  
900.34.40140  
900.34.40160

- length length 48" (1219 mm), with 10 curtain rings

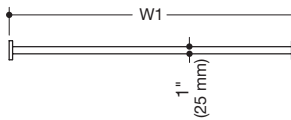
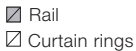
900.34.402XA  
900.34.40240  
900.34.40260

- length length 60" (1524 mm), with 12 curtain rings



**New** 900.34.40340  
**New** 900.34.40360

- length 78 3/4" (2000 mm), with 20 curtain rings



900.34.40SXA

**HEWI Shower curtain rail, special length**

- do., length to order from 15 3/4" (400 mm) to 78 3/4" (2000 mm)
- with suitable number of curtain rings
- made of stainless steel, satin finished

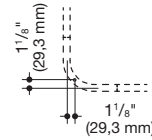
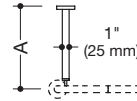
- satin finished, white curtain rings
- chrome-plated, white curtain rings
- powder-coated in HEWI colors DX (matt white) with white curtain rings, SC (matt dark gray pearl mica) and DC (matt black) with black curtain rings

921056  
921060  
6676..., 6797...  
900.34.0...

**HEWI Curtain rings, packing unit 5 pcs., white** see page 117  
**HEWI Curtain rings, packing unit 5 pcs., black** see page 117  
**HEWI Rose** see page 120  
**HEWI Ceiling support** to be ordered separately, see page 59

Item Number

Dimensions / Specification



**HEWI Ceiling support**

- made of stainless steel, rail  $\varnothing$  1" (25 mm), roses  $\varnothing$  2 3/4" (70 mm)
- can be shortened at the rose to 7 7/8" (200 mm) on site
- fixed onto the ceiling with rose
- including non-corrosive and tested HEWI fixing material for wall mounting and sealing tape for sealing the drilling points

- satin finished
- chrome-plated
- powder-coated in HEWI colors DX (matt white), SC (matt dark gray pearl mica) and DC (matt black)

**900.34.0...XA**  
**900.34.0...40**  
**900.34.0...60**

A = 11 13/16" (300 mm) (curtain rail - ceiling axle)

**900.34.000XA**  
**900.34.00040**  
**900.34.00060**

A = 15 3/4" (400 mm) (curtain rail - ceiling axle)

**900.34.001XA**  
**900.34.00140**  
**900.34.00160**

A = 19 11/16" (500 mm) (curtain rail - ceiling axle)

**900.34.002XA**  
**900.34.00240**  
**900.34.00260**

A = 23 5/8" (600 mm) (curtain rail - ceiling axle)

**900.34.003XA**  
**900.34.00340**  
**900.34.00360**

A = 59 1/16" (1500 mm) (curtain rail - ceiling axle)

**900.34.00440**  
**900.34.00460**

**New** **900.34.00SXA**  
**New** **900.34.00S40**  
**900.34.00S60**

special length, A = min. 5 15/16" (150 mm) to 11 3/4" (299 mm) (non-shortenable)

**New** **900.34.01SXA**  
**New** **900.34.01S40**  
**900.34.01S60**

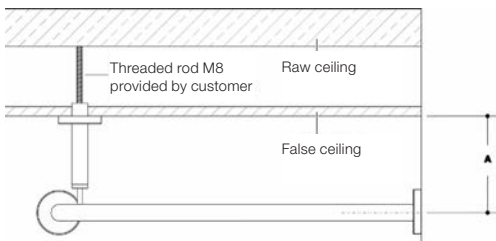
special length, A = 11 7/8" (301 mm) to 59 1/16" (1500 mm)



**New** **900.34.02SXA**

**HEWI Ceiling support for suspended ceilings**

- serves to fix curtain rails to suspended ceilings
- made of high-quality stainless steel, satin finished
- length to order from 5 7/8" (150 mm) to 59 1/16" (1500 mm)
- rail  $\varnothing$  1" (25 mm), roses  $\varnothing$  2 3/4" (70 mm)
- fixing directly to threaded rod M8 provided by customer
- including non-corrosive HEWI fixing material for rose



c to c A (curtain rail - ceiling axle)	
150 mm - 299 mm	
300 mm - 999 mm	
1000 mm - 1500 mm	

Please indicate A when ordering.

**HEWI Colors | Surfaces**

- 98 XA Chr
- ...60 DX matt white
- ...60 SC matt dark gray pearl mica
- ...60 DC matt black

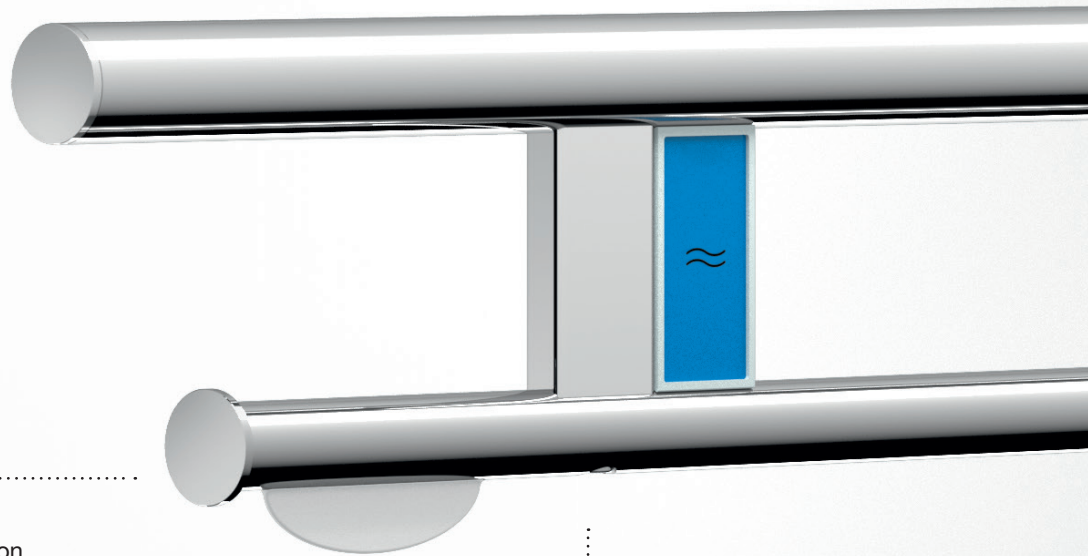
# System 900 Support

## MOBILE SOLUTION

- Mobile swing-up grab bar is clicked into position in a permanently mounted assembly plate as required
- Assembly and dismantling does not require any tools

## HYGIENIC DESIGN

- Minimum number of components, few joints
- Precise transitions thanks to laser technology
- Easy-care, leaning agent-resistant materials
- Pore-free surfaces
- Concealed fixing



## CONFIGURED

- Configured depending on requirements
- Assortment comprises minimalist swing-up grab bar Mono through to swing-up grab bar Duo with an integrated radio flushing solution and toilet roll holder

## INTEGRATED FUNCTIONS

- Flushing solution, freely assignable function button and toilet roll holder are integrated into the swing-up grab bar as an option
- Easy cleaning
- No retrofitting necessary

### SECURE GRIP

- Additional strengthening ensures extreme stability and reliable hold
- The cross-section is perfectly shaped for the human hand
- Round tube design offers a pleasant and secure hold

### WELL THOUGHT-THROUGH TECHNOLOGY

- Maintenance-free brake softens the lowering of the swing-up grab bar and minimises the risk of injury
- The swing-up grab bar only lowers automatically at a setting of 45°
- Defined pre-set stopper supports the wall
- Maintenance-free, permanently smooth-running joint (pre-set ex works)

### DESIGN VARIANTS

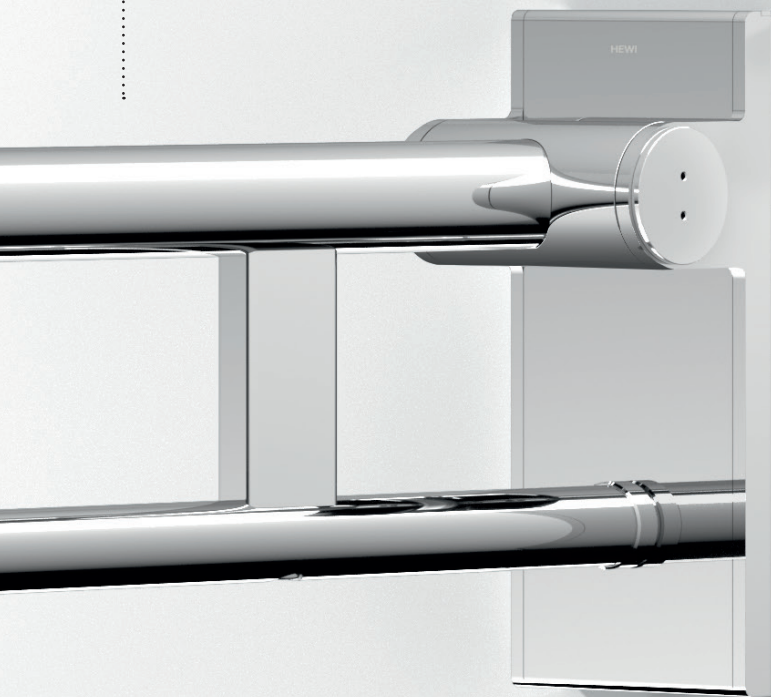
- 2 design variants

### EASY INSTALLATION

- Proven fixing technology
- Safe and reliable
- Borehole tolerance allows compensation

### SEALING ELEMENT

- Wall plate can be supplemented with a sealing tape (included in the delivery scope)
- Seals the fixing element reliably toward the wall
- Compensates joints or unevenness on walls

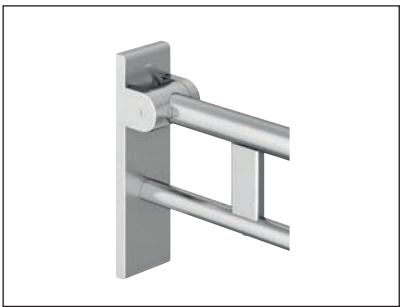


## WALL PLATES



### Design A

- ideal implementation of the language of form of the system 900
- available as a mono and duo variant
- metallic stopper element ensures maximum product rigidity and offers the user a secure handling feeling
- maintenance-free, permanently smooth-running joint, pre-set ex works
- at a setting of 45°, the swing-up grab bar lowers automatically
- in the upper position (tilt < 45°) a defined friction force of the hinged support rail prevents unintentional lowering/triggering
- a defined stopper prevents the swing-up grab bar banging against the wall
- available as a tool-free mobile variant



### Design B

- streamlined design alternatives
- available as a mono and duo variant
- maintenance-free, permanently smooth-running joint, pre-set ex works
- at a setting of 45°, the swing-up grab bar lowers automatically
- in the upper position (tilt < 45°) a defined friction force of the hinged support rail prevents unintentional lowering/triggering

## FIXING MATERIAL

### HEWI Fixing material for swing-up grab bars design A and design B to be ordered separately

for fixing on walls made of:

#### BM17.2

- concrete > C20/C25, national technical approval number: ETA-11/0493

**Supplied with:** 2 stainless steel screws M 10 x 30, 2 internal thread sleeves M 10 x 110

#### BM10.2

- concrete > C20/C25

**Supplied with:** 2 stainless steel countersunk bolts  $\varnothing$  10 x 95, 2 plugs HILTI HUD 14 x 70

#### BM11.2

- autoclaved aerated concrete (> P2)

**Supplied with:** 2 stainless steel screws M10 x 30, 2 mesh sleeves HIT-SC 22 x 85, 2 internal thread sleeves HIT-IC

#### BM12.2

- lightweight walls with rear lining made of laminated timber boards (with waterproof bonding, at least 1 3/16" (30 mm) thick required, e.g. studs or prewall installation) ...

**Supplied with:** 2 stainless steel countersunk bolts  $\varnothing$  10 x 95

#### BM13.2

- lightweight walls with integrated steel plates (e.g. studs or pre wall installation) ...

**Supplied with:** 2 stainless steel screws M10 x 60

#### BM18.2

- hollow concrete block, vertically perforated bricks, solid bricks, ..., national technical approval number: ETA-13/1036

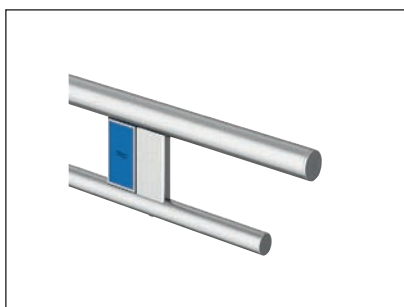
**Supplied with:** 2 stainless steel screws M10 x 30, 2 mesh sleeves HIT-SC 18 x 85, 2 internal thread sleeves HIT-IC



## INTEGRATED ADDITIONAL FUNCTIONS

**Toilet roll holder**

- with integrated rotation control

**Toilet flushing solution (radio)**

- blue button (wave symbol) serves to trigger the WC flush (convex, tangible pressure point)
- transmission frequency 868.4 MHz
- suitable for radio WC flushing systems by Geberit, Mepa, Viega, Sanit, Friatec, TECE and Grohe

**Toilet flushing solution (E-model)**

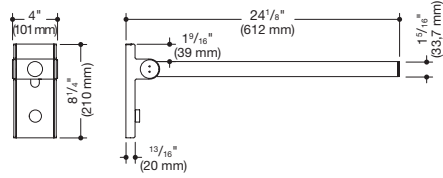
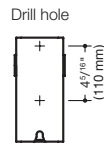
- blue button (wave symbol) serves to trigger the WC flush (convex, tangible pressure point)
- cable with free cable ends for wall connection
- incl. white cover for the flush-mounted socket
- control voltage max. 30 V = SELV, PELV, switching current up to max. 2 A
- suitable for all standard UP flushing cisterns with an electrical control unit

**Toilet flushing solution/function button (E-model)**

- blue button (wave symbol) serves to trigger the WC flush, red button (bell symbol) serves to trigger a freely definable function (the function button does not meet the emergency call requirements according to DIN VDE 0834-1) (convex, tangible pressure points)
- cable with free cable ends for wall connection
- incl. white cover for the flush-mounted socket
- control voltage max. 30 V = SELV, PELV, switching current up to max. 2 A
- suitable for all standard UP flushing cisterns with an electrical control unit

Item Number

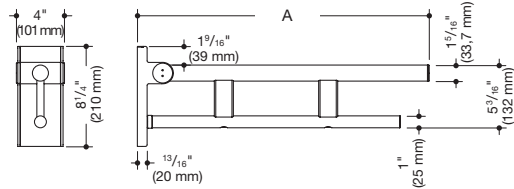
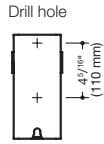
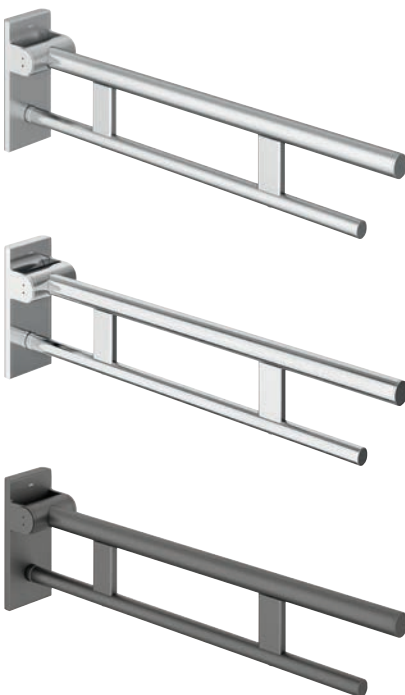
Dimensions / Specification



**HEWI Swing-up grab bar Mono, Design A**

- with one horizontal, round gripping level
- can be folded upwards and, with friction device, downwards
- maintenance free, permanently smooth and easy moving joint, preset in the factory
- from 45° tilt the swing-up grab bar lowers automatically
- in the upper position (tilt < 45°) a defined friction force secures the swing-up grab bar against accidental lowering/release
- a defined stop prevents the swing-up grab bar from hitting the wall
- 24 1/8" (612 mm) projection, 8 1/4" (210 mm) high and 4" (101 mm) wide, rail ø 1 5/16" (33.7 mm)
- made of stainless steel, loading capacity up to 220 lbs (100 kg)
- for wall mounting with non-corrosive and tested HEWI fixing material for different wall constructions (to be ordered separately)
- sealing tape for sealing fixing points is included in scope of supply
- fulfills highest cleaning product resistance and hygiene requirements
- meets the DIN 18040 requirements
- satin finished
- chrome-plated
- powder-coated in HEWI colors DX (matt white), SC (matt dark gray pearl mica) and DC (matt black)

900.50.100XA  
900.50.10040  
900.50.10060



**HEWI Swing-up grab bar Duo, Design A**

- two parallel, round gripping levels arranged on top of each other
- can be folded upwards and, with friction device, downwards
- maintenance free, permanently smooth and easy moving joint, preset in the factory
- from 45° tilt the swing-up grab bar lowers automatically
- in the upper position (tilt < 45°) a defined friction force secures the swing-up grab bar against accidental lowering/release
- a defined stop prevents the swing-up grab bar from hitting the wall
- maximum product stiffness increases stability and gives the user a secure grip feeling
- 8 1/4" (210 mm) high and 4" (101 mm) wide
- top rail ø 1 5/16" (33.7 mm), bottom rail ø 1" (25 mm)
- made of stainless steel, loading capacity up to 220 lbs (100 kg)
- for wall mounting with non-corrosive and tested HEWI fixing material for different wall constructions (to be ordered separately)
- sealing tape for sealing fixing points is included in scope of supply
- floor supports 900.50.020... and 900.50.021... for retrofitting
- meets the ÖNORM B1600/1601 and SIA 500 requirements
- satin finished
- chrome-plated
- powder-coated in HEWI colors DX (matt white), SC (matt dark gray pearl mica) and DC (matt black)

900.50....XA  
900.50....40  
900.50....60



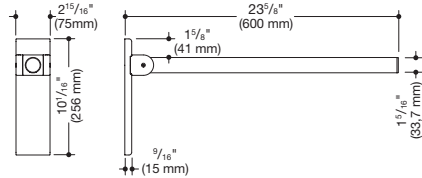
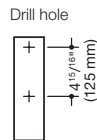
**All variants and prices see pages 66-67**

**HEWI Fixing material BM10.2 to BM18.2 to be ordered separately** see page 62

**Spare parts** see pages 118, 119

Item Number

Dimensions / Specification

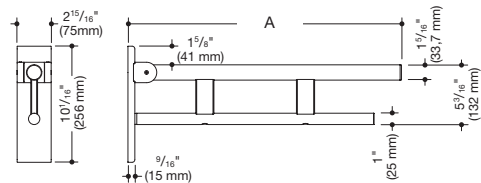
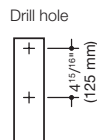


**HEWI Swing-up grab bar Mono, Design B**

- with one horizontal, round gripping level
- can be folded upwards and, with friction device, downwards
- maintenance free, permanently smooth and easy moving joint, preset in the factory
- from 45° tilt the swing-up grab bar lowers automatically
- in the upper position (tilt < 45°) a defined friction force secures the swing-up grab bar against accidental lowering/release
- 23 5/8" (600 mm) projection, 10 1/16" (256 mm) high and 2 15/16" (75 mm) wide, rail ø 1 5/16" (33.7 mm)
- made of stainless steel, loading capacity up to 220 lbs (100 kg)
- wall plate made of polyamide with integrated steel core and satin stainless steel cover
- for wall-mounting with non-corrosive and tested HEWI fixing material for different wall constructions (to be ordered separately)
- sealing tape for sealing fixing points is included in scope of supply
- fulfills highest cleaning product resistance and hygiene requirements
- meets the DIN 18040 requirements

900.50.215XA  
900.50.21540  
900.50.21560

- satin finished
- chrome-plated
- powder-coated in HEWI colors DX (matt white), SC (matt dark gray pearl mica) and DC (matt black)



**HEWI Swing-up grab bar Duo, Design B**

- two parallel, round gripping levels arranged on top of each other
- can be folded upwards and, with friction device, downwards
- maintenance free, permanently smooth and easy moving joint, preset in the factory
- from 45° tilt the swing-up grab bar lowers automatically
- in the upper position (tilt < 45°) a defined friction force secures the swing-up grab bar against accidental lowering/release
- 10 1/16" (256 mm) high and 2 15/16" (75 mm) wide
- top rail ø 1 5/16" (33.7 mm), bottom rail ø 1" (25 mm)
- made of stainless steel, loading capacity up to 220 lbs (100 kg)
- wall plate made of polyamide with integrated steel core and satin stainless steel cover
- for wall-mounting with non-corrosive and tested HEWI fixing material for different wall constructions (to be ordered separately)
- sealing tape for sealing fixing points is included in scope of supply
- floor supports 900.50.020... and 900.50.021... for retrofitting
- meets the ÖNORM B1600/1601 and SIA 500 requirements

900.50....XA  
900.50....40  
900.50....60

- satin finished
- chrome-plated
- powder-coated in HEWI colors DX (matt white), SC (matt dark gray pearl mica) and DC (matt black)

All variants and prices see pages 68-69





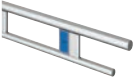


**HEWI Surfaces**

- ...60 DX matt white
- ...60 SC matt dark gray pearl mica
- ...60 DC matt black

**HEWI Fixing material BM10.2 to BM18.2 to be ordered separately** see page 62








**Spare parts** see pages 118, 119

SWING-UP GRAB BAR DUO, DESIGN A

Function	Version (seen from user's view)	Variant	Wall plate Design A		
			 satin finished	 chrome-plated	 powder-coated
		23 5/8" (600 mm) A = 24 1/8" (612 mm)	900.50.101XA	900.50.10140	900.50.10160
		27 9/16" (700 mm) A = 28 1/16" (712 mm)	900.50.102XA	900.50.10240	900.50.10260
		29 1/2" (750 mm) A = 30" (762 mm)	900.50.103XA	900.50.10340	900.50.10360
		33 7/16" (850 mm) A = 33 15/16" (862 mm)	900.50.104XA	900.50.10440	900.50.10460
		35 7/16" (900 mm) A = 35 7/8" (912 mm)	900.50.105XA	900.50.10540	900.50.10560
	left	27 9/16" (700 mm) A = 28 1/16" (712 mm)	900.50.118XA	900.50.11840	900.50.11860
		29 1/2" (750 mm) A = 30" (762 mm)	900.50.119XA	900.50.11940	900.50.11960
		33 7/16" (850 mm) A = 33 15/16" (862 mm)	900.50.120XA	900.50.12040	900.50.12060
		35 7/16" (900 mm) A = 35 7/8" (912 mm)	900.50.121XA	900.50.12140	900.50.12160
	right	27 9/16" (700 mm) A = 28 1/16" (712 mm)	900.50.122XA	900.50.12240	900.50.12260
		29 1/2" (750 mm) A = 30" (762 mm)	900.50.123XA	900.50.12340	900.50.12360
		33 7/16" (850 mm) A = 33 15/16" (862 mm)	900.50.124XA	900.50.12440	900.50.12460
		35 7/16" (900 mm) A = 35 7/8" (912 mm)	900.50.125XA	900.50.12540	900.50.12560
	left	27 9/16" (700 mm) A = 28 1/16" (712 mm)	900.50.142XA	900.50.14240	900.50.14260
		29 1/2" (750 mm) A = 30" (762 mm)	900.50.143XA	900.50.14340	900.50.14360
		33 7/16" (850 mm) A = 33 15/16" (862 mm)	900.50.144XA	900.50.14440	900.50.14460
		35 7/16" (900 mm) A = 35 7/8" (912 mm)	900.50.145XA	900.50.14540	900.50.14560
	right	27 9/16" (700 mm) A = 28 1/16" (712 mm)	900.50.146XA	900.50.14640	900.50.14660
		29 1/2" (750 mm) A = 30" (762 mm)	900.50.147XA	900.50.14740	900.50.14760
		33 7/16" (850 mm) A = 33 15/16" (862 mm)	900.50.148XA	900.50.14840	900.50.14860
		35 7/16" (900 mm) A = 35 7/8" (912 mm)	900.50.149XA	900.50.14940	900.50.14960
	left	27 9/16" (700 mm) A = 28 1/16" (712 mm)	900.50.150XA	900.50.15040	900.50.15060
		29 1/2" (750 mm) A = 30" (762 mm)	900.50.151XA	900.50.15140	900.50.15160
		33 7/16" (850 mm) A = 33 15/16" (862 mm)	900.50.152XA	900.50.15240	900.50.15260
		35 7/16" (900 mm) A = 35 7/8" (912 mm)	900.50.153XA	900.50.15340	900.50.15360
	right	27 9/16" (700 mm) A = 28 1/16" (712 mm)	900.50.154XA	900.50.15440	900.50.15460
		29 1/2" (750 mm) A = 30" (762 mm)	900.50.155XA	900.50.15540	900.50.15560
		33 7/16" (850 mm) A = 33 15/16" (862 mm)	900.50.156XA	900.50.15640	900.50.15660
		35 7/16" (900 mm) A = 35 7/8" (912 mm)	900.50.157XA	900.50.15740	900.50.15760

HEWI Fixing material BM10.2 to BM18.2 to be ordered separately  
see page 62  
Spare parts see pages 118, 119

## SWING-UP GRAB BAR DUO WITH TOILET ROLL HOLDER, DESIGN A

Function	Version (seen from user's view)	Variant	Wall plate Design A		
			 satin finished	 chrome-plated	 powder-coated
		27 9/16" (700 mm) A = 28 1/16" (712 mm)	900.50.106XA	900.50.10640	900.50.10660
		29 1/2" (750 mm) A = 30" (762 mm)	900.50.107XA	900.50.10740	900.50.10760
		33 7/16" (850 mm) A = 33 15/16" (862 mm)	900.50.108XA	900.50.10840	900.50.10860
		35 7/16" (900 mm) A = 35 7/8" (912 mm)	900.50.109XA	900.50.10940	900.50.10960
	left	27 9/16" (700 mm) A = 28 1/16" (712 mm)	900.50.110XA	900.50.11040	900.50.11060
		29 1/2" (750 mm) A = 30" (762 mm)	900.50.111XA	900.50.11140	900.50.11160
		33 7/16" (850 mm) A = 33 15/16" (862 mm)	900.50.112XA	900.50.11240	900.50.11260
		35 7/16" (900 mm) A = 35 7/8" (912 mm)	900.50.113XA	900.50.11340	900.50.11360
	right	27 9/16" (700 mm) A = 28 1/16" (712 mm)	900.50.114XA	900.50.11440	900.50.11460
		29 1/2" (750 mm) A = 30" (762 mm)	900.50.115XA	900.50.11540	900.50.11560
		33 7/16" (850 mm) A = 33 15/16" (862 mm)	900.50.116XA	900.50.11640	900.50.11660
		35 7/16" (900 mm) A = 35 7/8" (912 mm)	900.50.117XA	900.50.11740	900.50.11760
	left	27 9/16" (700 mm) A = 28 1/16" (712 mm)	900.50.126XA	900.50.12640	900.50.12660
		29 1/2" (750 mm) A = 30" (762 mm)	900.50.127XA	900.50.12740	900.50.12760
		33 7/16" (850 mm) A = 33 15/16" (862 mm)	900.50.128XA	900.50.12840	900.50.12860
		35 7/16" (900 mm) A = 35 7/8" (912 mm)	900.50.129XA	900.50.12940	900.50.12960
	right	27 9/16" (700 mm) A = 28 1/16" (712 mm)	900.50.130XA	900.50.13040	900.50.13060
		29 1/2" (750 mm) A = 30" (762 mm)	900.50.131XA	900.50.13140	900.50.13160
		33 7/16" (850 mm) A = 33 15/16" (862 mm)	900.50.132XA	900.50.13240	900.50.13260
		35 7/16" (900 mm) A = 35 7/8" (912 mm)	900.50.133XA	900.50.13340	900.50.13360
	left	27 9/16" (700 mm) A = 28 1/16" (712 mm)	900.50.134XA	900.50.13440	900.50.13460
		29 1/2" (750 mm) A = 30" (762 mm)	900.50.135XA	900.50.13540	900.50.13560
		33 7/16" (850 mm) A = 33 15/16" (862 mm)	900.50.136XA	900.50.13640	900.50.13660
		35 7/16" (900 mm) A = 35 7/8" (912 mm)	900.50.137XA	900.50.13740	900.50.13760
	right	27 9/16" (700 mm) A = 28 1/16" (712 mm)	900.50.138XA	900.50.13840	900.50.13860
		29 1/2" (750 mm) A = 30" (762 mm)	900.50.139XA	900.50.13940	900.50.13960
		33 7/16" (850 mm) A = 33 15/16" (862 mm)	900.50.140XA	900.50.14040	900.50.14060
		35 7/16" (900 mm) A = 35 7/8" (912 mm)	900.50.141XA	900.50.14140	900.50.14160






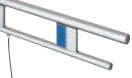

## HEWI Surfaces

...60 DX matt white  
 XA Chr   ...60 SC matt dark gray pearl mica  
 ...60 DC matt black

HEWI Fixing material BM10.2 to BM18.2 to be ordered separately  
see page 62








Spare parts see pages 118, 119

SWING-UP GRAB BAR DUO, DESIGN B

Function	Version (seen from user's view)	Projection A	Wall plate Design B		
			 satin finished	 chrome-plated	 powder-coated
		23 5/8" (600 mm)	900.50.158XA	900.50.15840	900.50.15860
		27 9/16" (700 mm)	900.50.159XA	900.50.15940	900.50.15960
		29 1/2" (750 mm)	900.50.160XA	900.50.16040	900.50.16060
		33 7/16" (850 mm)	900.50.161XA	900.50.16140	900.50.16160
		35 7/16" (900 mm)	900.50.162XA	900.50.16240	900.50.16260
	left	27 9/16" (700 mm)	900.50.175XA	900.50.17540	900.50.17560
		29 1/2" (750 mm)	900.50.176XA	900.50.17640	900.50.17660
		33 7/16" (850 mm)	900.50.177XA	900.50.17740	900.50.17760
		35 7/16" (900 mm)	900.50.178XA	900.50.17840	900.50.17860
	right	27 9/16" (700 mm)	900.50.179XA	900.50.17940	900.50.17960
		29 1/2" (750 mm)	900.50.180XA	900.50.18040	900.50.18060
		33 7/16" (850 mm)	900.50.181XA	900.50.18140	900.50.18160
		35 7/16" (900 mm)	900.50.182XA	900.50.18240	900.50.18260
	left	27 9/16" (700 mm)	900.50.199XA	900.50.19940	900.50.19960
		29 1/2" (750 mm)	900.50.200XA	900.50.20040	900.50.20060
		33 7/16" (850 mm)	900.50.201XA	900.50.20140	900.50.20160
		35 7/16" (900 mm)	900.50.202XA	900.50.20240	900.50.20260
	right	27 9/16" (700 mm)	900.50.203XA	900.50.20340	900.50.20360
		29 1/2" (750 mm)	900.50.204XA	900.50.20440	900.50.20460
		33 7/16" (850 mm)	900.50.205XA	900.50.20540	900.50.20560
		35 7/16" (900 mm)	900.50.206XA	900.50.20640	900.50.20660
	left	27 9/16" (700 mm)	900.50.207XA	900.50.20740	900.50.20760
		29 1/2" (750 mm)	900.50.208XA	900.50.20840	900.50.20860
		33 7/16" (850 mm)	900.50.209XA	900.50.20940	900.50.20960
		35 7/16" (900 mm)	900.50.210XA	900.50.21040	900.50.21060
	right	27 9/16" (700 mm)	900.50.211XA	900.50.21140	900.50.21160
		29 1/2" (750 mm)	900.50.212XA	900.50.21240	900.50.21260
		33 7/16" (850 mm)	900.50.213XA	900.50.21340	900.50.21360
		35 7/16" (900 mm)	900.50.214XA	900.50.21440	900.50.21460

HEWI Fixing material BM10.2 to BM18.2 to be ordered separately  
 see page 62  
 Spare parts see pages 118, 119

SWING-UP GRAB BAR DUO WITH TOILET ROLL HOLDER, DESIGN B

Function	Version (seen from user's view)	Projection A	Wall plate Design B		
			 satin finished	 chrome-plated	 powder-coated
		27 9/16" (700 mm)	900.50.163XA	900.50.16340	900.50.16360
		29 1/2" (750 mm)	900.50.164XA	900.50.16440	900.50.16460
		33 7/16" (850 mm)	900.50.165XA	900.50.16540	900.50.16560
		35 7/16" (900 mm)	900.50.166XA	900.50.16640	900.50.16660
	left	27 9/16" (700 mm)	900.50.167XA	900.50.16740	900.50.16760
		29 1/2" (750 mm)	900.50.168XA	900.50.16840	900.50.16860
		33 7/16" (850 mm)	900.50.169XA	900.50.16940	900.50.16960
		35 7/16" (900 mm)	900.50.170XA	900.50.17040	900.50.17060
	right	27 9/16" (700 mm)	900.50.171XA	900.50.17140	900.50.17160
		29 1/2" (750 mm)	900.50.172XA	900.50.17240	900.50.17260
		33 7/16" (850 mm)	900.50.173XA	900.50.17340	900.50.17360
		35 7/16" (900 mm)	900.50.174XA	900.50.17440	900.50.17460
	left	27 9/16" (700 mm)	900.50.183XA	900.50.18340	900.50.18360
		29 1/2" (750 mm)	900.50.184XA	900.50.18440	900.50.18460
		33 7/16" (850 mm)	900.50.185XA	900.50.18540	900.50.18560
		35 7/16" (900 mm)	900.50.186XA	900.50.18640	900.50.18660
	right	27 9/16" (700 mm)	900.50.187XA	900.50.18740	900.50.18760
		29 1/2" (750 mm)	900.50.188XA	900.50.18840	900.50.18860
		33 7/16" (850 mm)	900.50.189XA	900.50.18940	900.50.18960
		35 7/16" (900 mm)	900.50.190XA	900.50.19040	900.50.19060
	left	27 9/16" (700 mm)	900.50.191XA	900.50.19140	900.50.19160
		29 1/2" (750 mm)	900.50.192XA	900.50.19240	900.50.19260
		33 7/16" (850 mm)	900.50.193XA	900.50.19340	900.50.19360
		35 7/16" (900 mm)	900.50.194XA	900.50.19440	900.50.19460
	right	27 9/16" (700 mm)	900.50.195XA	900.50.19540	900.50.19560
		29 1/2" (750 mm)	900.50.196XA	900.50.19640	900.50.19660
		33 7/16" (850 mm)	900.50.197XA	900.50.19740	900.50.19760
		35 7/16" (900 mm)	900.50.198XA	900.50.19840	900.50.19860

HEWI Surfaces

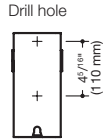
-  ...60 DX matt white
-  ...60 SC matt dark gray pearl mica
-  ...60 DC matt black

HEWI Fixing material BM10.2 to BM18.2 to be ordered separately see page 62

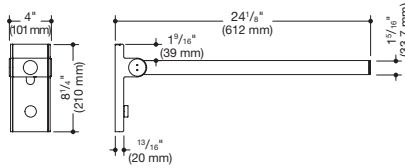
Spare parts see pages 118, 119

Item Number

Dimensions / Specification

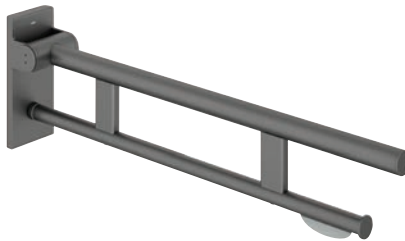
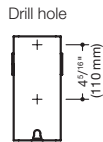
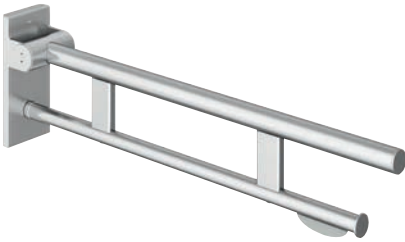


900.50.400XA  
900.50.40040  
900.50.40060

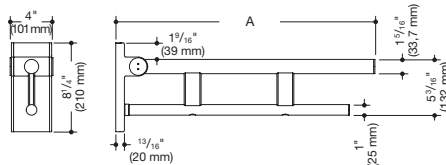


**HEWI Mobile swing-up grab bar Mono, Design A**

- with one horizontal, round gripping level
- can be folded upwards and, with friction device, downwards
- maintenance free, permanently smooth and easy moving joint
- from 45° tilt the swing-up grab bar lowers automatically
- in the upper position (tilt < 45°) a defined friction force secures the swing-up grab bar against accidental lowering/release
- a defined stop prevents the swing-up grab bar from hitting the wall
- made of st. steel, for mobile use, loading capacity up to 220 lbs (100 kg)
- for easy and flexible retrofitting on pre-assembled HEWI mounting plate (900.50.001XA resp. 900.50.00140, to be ordered separately)
- tool-free and quick installation by means of short, simple hanging, additionally secured with fastening screw
- 24 1/8" (612 mm) projection, 8 1/4" (210 mm) high and 4" (101 mm) wide, rail ø 1 5/16" (33.7 mm)
- sealing tape for sealing fixing points is included in scope of supply of the mounting plate
- meets the DIN 18040 requirements
- satin finished
- chrome-plated
- powder-coated in HEWI colors DX (matt white), SC (matt dark grey pearl mica) and DC (matt black)



900.50.4...XA  
900.50.4...40  
900.50.4...60



**HEWI Mobile swing-up grab bar Duo, Design A**

- two parallel, round gripping levels arranged on top of each other
- can be folded upwards and, with friction device, downwards
- maintenance free, permanently smooth and easy moving joint
- from 45° tilt the swing-up grab bar lowers automatically
- in the upper position (tilt < 45°) a defined friction force secures the swing-up grab bar against accidental lowering/release
- a defined stop prevents the swing-up grab bar from hitting the wall
- maximum product stiffness increases stability and gives the user a secure grip feeling
- made of st. steel, f. mobile use, loading capacity up to 220 lbs (100 kg)
- for easy and flexible retrofitting on pre-assembled HEWI mounting plate (900.50.001XA resp. 900.50.00140, to be ordered separately)
- tool-free and quick installation by means of short, simple hanging, additionally secured with fastening screw
- 8 1/4" (210 mm) high and 4" (101 mm) wide
- top rail ø 1 5/16" (33.7 mm), bottom rail ø 1" (25 mm)
- sealing tape for sealing the fixing points is included in the scope of supply of the mounting plate
- floor supports 900.50.020... and 900.50.021... retrofittable
- meets the ÖNORM B1600/1601 and SIA 500 requirements
- satin finished
- chrome-plated
- powder-coated in HEWI colors DX (matt white), SC (matt dark grey pearl mica) and DC (matt black)

**All variants and prices see right**








**HEWI Fixing material BM10.2 to BM18.2 to be ordered separately** see pages 62

**HEWI Mounting plate** see page 72-73

**Spare parts** see pages 118, 119



## MOBILE SWING-UP GRAB BAR DUO, DESIGN A

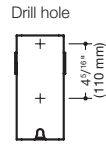
Function	Version (seen from user's view)	Variant	Wall plate Design A		
			 satin finished	 chrome-plated	 powder-coated
		23 5/8" (600 mm) A = 24 1/8" (612 mm)	900.50.401XA	900.50.40140	900.50.40160
		27 9/16" (700 mm) A = 28 1/16" (712 mm)	900.50.402XA	900.50.40240	900.50.40260
		29 1/2" (750 mm) A = 30" (762 mm)	900.50.403XA	900.50.40340	900.50.40360
		33 7/16" (850 mm) A = 33 15/16" (862 mm)	900.50.404XA	900.50.40440	900.50.40460
		35 7/16" (900 mm) A = 35 7/8" (912 mm)	900.50.405XA	900.50.40540	900.50.40560
		27 9/16" (700 mm) A = 28 1/16" (712 mm)	900.50.406XA	900.50.40640	900.50.40660
		29 1/2" (750 mm) A = 30" (762 mm)	900.50.407XA	900.50.40740	900.50.40760
		33 7/16" (850 mm) A = 33 15/16" (862 mm)	900.50.408XA	900.50.40840	900.50.40860
		35 7/16" (900 mm) A = 35 7/8" (912 mm)	900.50.409XA	900.50.40940	900.50.40960
	left	27 9/16" (700 mm) A = 28 1/16" (712 mm)	900.50.418XA	900.50.41840	900.50.41860
		29 1/2" (750 mm) A = 30" (762 mm)	900.50.419XA	900.50.41940	900.50.41960
		33 7/16" (850 mm) A = 33 15/16" (862 mm)	900.50.420XA	900.50.42040	900.50.42060
		35 7/16" (900 mm) A = 35 7/8" (912 mm)	900.50.421XA	900.50.42140	900.50.42160
	right	27 9/16" (700 mm) A = 28 1/16" (712 mm)	900.50.422XA	900.50.42240	900.50.42260
		29 1/2" (750 mm) A = 30" (762 mm)	900.50.423XA	900.50.42340	900.50.42360
		33 7/16" (850 mm) A = 33 15/16" (862 mm)	900.50.424XA	900.50.42440	900.50.42460
		35 7/16" (900 mm) A = 35 7/8" (912 mm)	900.50.425XA	900.50.42540	900.50.42560
	left	27 9/16" (700 mm) A = 28 1/16" (712 mm)	900.50.410XA	900.50.41040	900.50.41060
		29 1/2" (750 mm) A = 30" (762 mm)	900.50.411XA	900.50.41140	900.50.41160
		33 7/16" (850 mm) A = 33 15/16" (862 mm)	900.50.412XA	900.50.41240	900.50.41260
		35 7/16" (900 mm) A = 35 7/8" (912 mm)	900.50.413XA	900.50.41340	900.50.41360
	right	27 9/16" (700 mm) A = 28 1/16" (712 mm)	900.50.414XA	900.50.41440	900.50.41460
		29 1/2" (750 mm) A = 30" (762 mm)	900.50.415XA	900.50.41540	900.50.41560
		33 7/16" (850 mm) A = 33 15/16" (862 mm)	900.50.416XA	900.50.41640	900.50.41660
		35 7/16" (900 mm) A = 35 7/8" (912 mm)	900.50.417XA	900.50.41740	900.50.41760

## HEWI Surfaces

   ...60 DX matt white  
 XA Chr  ...60 SC matt dark gray pearl mica  
 ...60 DC matt black

Item Number

Dimensions / Specification



- Face plate
- Frame
- Mounting plate

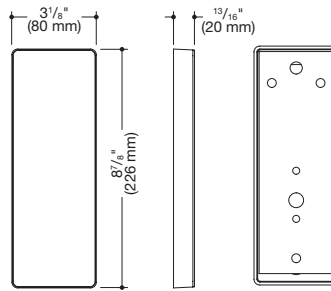


- Face plate
- Frame
- Mounting plate



- Face plate
- Frame
- Mounting plate

**900.50.003XA**  
**900.50.00340**  
**900.50.00360**



**HEWI Mounting plate with cover**

- 3 1/8" (80 mm) wide, 8 7/8" (226 mm) high, 13/16" (20 mm) deep
- mounting plate made of stainless steel
- frame of cover made of high-quality polyamide in HEWI colors 98 (signal white), 92 (anthracite gray) resp. signal white matt or jet black matt
- face plate of the cover made of high-quality stainless steel
- for mounting with non-corrosive and tested HEWI fixing materials for different wall systems (to be ordered separately)
- sealing tape for sealing fixing points is included in scope of supply
- satin finished\*
- mounting plate chrome-plated, face plate mirror polished\*
- mounting plate powder-coated in HEWI colors CV (matt black) and ER (matt dark gray pearl mica) with frame made of matt black polyamide or powder-coated in HEWI color AS (matt white) with frame made of matt white polyamide
- face plate in matching color to frame, powder-coated in HEWI colors AS (matt white) and CV (matt black)

\*Please advise frame color when ordering.

**HEWI Fixing material** see below

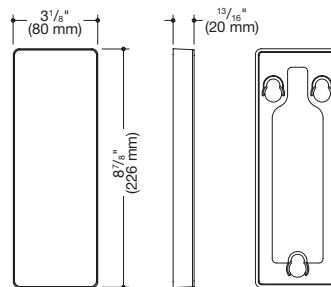


- Face plate
- Frame



- Face plate
- Frame

**900.50.002XA**  
**900.50.00240**  
**900.50.00260**



**HEWI Cover for mounting plate**

- to cover installed mounting plates by simply hooking it in
- 3 1/8" (80 mm) wide, 8 7/8" (226 mm) high, 13/16" (20 mm) deep
- cover frame made of high-quality polyamide in HEWI colors 98 (signal white), 92 (anthracite gray) resp. signal white matt or jet black matt
- face plate made of high-quality stainless steel
- satin finished\*
- mirror polished (for version chrome)\*
- powder-coated in HEWI colors AS (matt white) and CV (matt black)

\*Please advise frame color when ordering.

**HEWI Powder coating | Material combinations with synthetic material**

- ...60 AS matt white | polyamide signal white matt
- ...60 ER matt dark gray pearl mica | polyamide jet black matt
- ...60 CV matt black | polyamide jet black matt

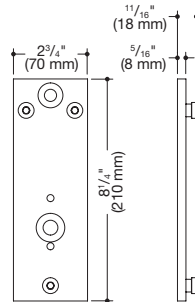
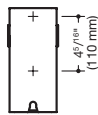
**HEWI Fixing material BM10.2 to BM18.2 to be ordered separately** see page 62

Item Number

Dimensions / Specification



Drill hole



**900.50.001XA**  
**900.50.00140**  
**900.50.00160**



**HEWI Mounting plate**

- to hold and fix the mobile swing-up grab bars 900.50.4...
- 2 3/4" (70 mm) wide, 8 1/4" (210 mm) high, 11/16" (18 mm) deep, made of stainless steel
- for mounting with non-corrosive and tested HEWI fixing materials for different wall systems (to be ordered separately)
- sealing tape for sealing fixing points is included in scope of supply
- satin finished
- chrome-plated
- powder-coated in HEWI colors DX (matt white), SC (matt dark gray pearl mica) and DC (matt black)

**HEWI Fixing material** see below



**950.50.013**

**HEWI Protection and storage bag**

- for storing the mobile swing-up grab bars 900.50...
- made of high-quality, tear-resistant white synthetic material sheeting
- high-quality fleece lining on the inside to protect the surfaces of the swing-up grab bars
- 40 3/4" (1035 mm) high, 13 3/16" (335 mm) wide
- with pull-cord for closing

**HEWI Colors | Surfaces**

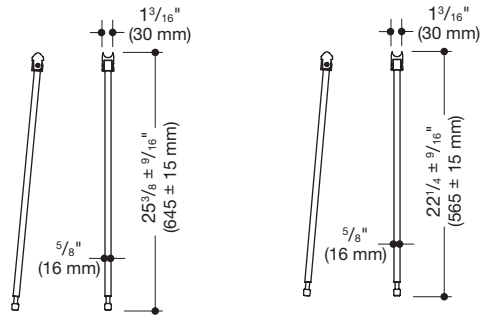
- 98 92 XA Chr      ...60 DX matt white
- ...60 SC matt dark gray pearl mica
- ...60 DC matt black

**HEWI Fixing material BM10.2 to BM18.2 to be ordered separately** see page 62



**900.50.020XA**  
**900.50.02040**  
**900.50.02060**

**900.50.021XA**  
**900.50.02140**  
**900.50.02160**



**HEWI Floor support**

- for retrofitting on swing-up grab bars Duo 900.50...
- height adjustment within +/- 9/16" (15 mm) range possible
- made of high-quality stainless steel
- fulfils height adjustment requirements according to DIN 18040
- vertical length 25 3/8" (645 mm), mounting height 29 15/16" (760 mm)
- satin finished
- chrome-plated
- powder-coated in HEWI colors DX (matt white), SC (matt dark gray pearl mica) and DC (matt black)
- vertical length 22 1/4" (565 mm), mounting height 22 3/4" (680 mm)
- satin finished
- chrome-plated
- powder-coated in HEWI colors DX (matt white), SC (matt dark gray pearl mica) and DC (matt black)

**HEWI Powder coating | Material combinations with synthetic material**

- ...60 AS** matt white | white synthetic material
- ...60 ER** matt dark gray pearl mica | black synthetic material
- ...60 CV** matt black | black synthetic material

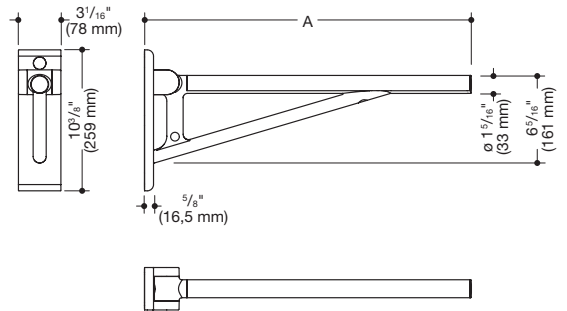
Item Number

Dimensions / Specification



- Rail
- Wall plate, extension arm

Drill hole



- Rail
- Wall plate, extension arm



- Rail
- Wall plate, extension arm

**New** 900.50B216XA

**New** 900.50B21640

**New** 900.50.21660

**New** 900.50B217XA

**New** 900.50B21740

**New** 900.50.21760

**New** 900.50B218XA

**New** 900.50B21840

**New** 900.50.21860

**HEWI Swing up grab bar**

- with one horizontal, round gripping level
- can be folded upwards and, with friction device, downwards
- permanently smooth-running, low-maintenance joint, preset in the factory
- 10 3/16" (259 mm) high and 3 1/16" (78 mm) wide, rail ø 1 5/16" (33 mm)
- loading capacity 220 lbs (100 kg)
- wall plate and extension arm made of high-quality synthetic material
- for mounting with corrosion-free and tested HEWI fixing material for different wall constructions (to be ordered separately)
- sealing tape for sealing the fixing points included in delivery

**23 5/8" (600 mm) projection, meets the requirements according to DIN 18040**

- rail made of metal in stainless steel look, wall plate and extension arm in HEWI colors 98 (signal white) and 92 (anthracite gray)
- rail made of metal in chrome look, wall plate and extension arm in HEWI colors 98 (signal white) and 92 (anthracite gray)
- rail made of metal, powder-coated in HEWI colors CV (matt black) in combination with black extension arm and wall plate and AS (matt white) in combination with white extension arm and wall plate

**27 9/16" (700 mm) projection**

- rail made of metal in stainless steel look, wall plate and extension arm in HEWI colors 98 (signal white) and 92 (anthracite gray)
- rail made of metal in chrome look, wall plate and extension arm in HEWI colors 98 (signal white) and 92 (anthracite gray)
- rail made of metal, powder-coated in HEWI colors CV (matt black) in combination with black extension arm with wall plate and AS (matt white) in combination with white extension arm and wall plate

**33 7/16" (850 mm) projection, meets the requirements according to DIN 18040, ÖNORM B1600/1601 and SIA 500**

- rail made of metal in stainless steel look, wall plate and extension arm in HEWI colors 98 (signal white) and 92 (anthracite gray)
- rail made of metal in chrome look, wall plate and extension arm in HEWI colors 98 (signal white) and 92 (anthracite gray)
- rail made of metal, powder-coated in HEWI colors CV (matt black) in combination with black extension arm and wall plate and AS (matt white) in combination with white extension arm and wall plate

**HEWI Surfaces**

- ...60 DX matt white
- XA Chr   ...60 SC matt dark gray pearl mica
- ...60 DC matt black

**HEWI Fixing material BM10.2 to BM18.2 to be ordered separately** see page 62

# System 900

## Grip

### INNOVATIVE MOUNTING TECHNOLOGY

- Faster, easier assembly
- Innovative corner connection only requires three instead of the usual four attachment points
- Innovative plug-click principle
- Precise joints thanks to laser technology
- Compensation of the angle tolerance in the corner of the room of up to +/- 2° possible
- Proven assembly principles for the attachment roses allows borehole tolerance



### HANDLING COMFORT

- The cross-section is perfectly shaped for the human hand
- Round tube design offers a pleasant and secure hold

### HYGIENIC DESIGN

- Minimum number of components, few joints
- Precise transitions thanks to laser technology
- Easy-care, leaning agent-resistant materials
- Pore-free surfaces
- Concealed fixing

**MATERIAL OPTIONS**

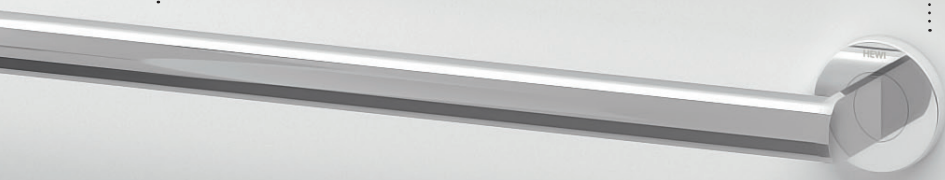
- Optional available in satin finished stainless steel, high-quality chrome-plated or powder-coated

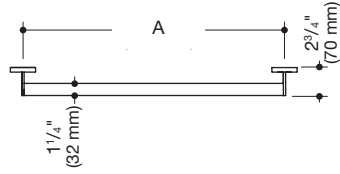
**CUSTOMISED**

- Customised holding and pole system made of satin finished stainless steel
- Available from a series of 1

**SEALING ELEMENT**

- Attachment roses can be supplemented with sealing tape (included in the delivery scope)
- Seals the fixing element reliably toward the wall
- Compensates joints or unevenness on walls





**HEWI Grab bar**

- rail  $\varnothing$  1 1/4" (32 mm), 2 3/4" (70 mm) deep,
- tube thickness 1/16" (2 mm), roses  $\varnothing$  2 3/4" (70 mm)
- made of high-quality stainless steel
- upgrade kit toilet roll holder for retrofitting
- including non-corrosive and tested HEWI fixing material for wall mounting and sealing tape for sealing the drilling points
- meets the requirements of 2010 ADA standards and ICC / ANSI A117.1-2017

A1 in inch (in mm)	satin finished	chrome-plated	powder-coated
12 (305)	<b>900.36.060XA</b>	<b>900.36.06040</b>	<b>900.36.06060</b>
16 (406)	<b>900.36.061XA</b>	<b>900.36.06140</b>	<b>900.36.06160</b>
18 (475)	<b>900.36.062XA</b>	<b>900.36.06240</b>	<b>900.36.06260</b>
24 (610)	<b>900.36.063XA</b>	<b>900.36.06340</b>	<b>900.36.06360</b>
30 (765)	<b>900.36.064XA</b>	<b>900.36.06440</b>	<b>900.36.06460</b>
36 (914)	<b>900.36.065XA</b>	<b>900.36.06540</b>	<b>900.36.06560</b>
42 (1067)	<b>900.36.066XA</b>	<b>900.36.06640</b>	<b>900.36.06660</b>
48 (1219)*	<b>900.36.067XA</b>	<b>900.36.06740</b>	<b>900.36.06760</b>
52 (1321)*	<b>900.36.068XA</b>	<b>900.36.06840</b>	<b>900.36.06860</b>
54 (1372)*	<b>900.36.069XA</b>	<b>900.36.06940</b>	<b>900.36.06960</b>

\*Grab bar with additional support positioned in the middle.

**Please note when using with removable hanging seats**

Compatibility check required. A detailed list of the possible combinations of support rails, L-shaped support rails and shower head rails with matching removable hanging seats can be found in our online catalogue in the download area of the respective product.

\*Please advise A1 when ordering.

Suitable for HEWI hanging seats when c to c between 9 3/16 and 35 7/16" (250 and 900 mm).





Item Number

Dimensions / Specification



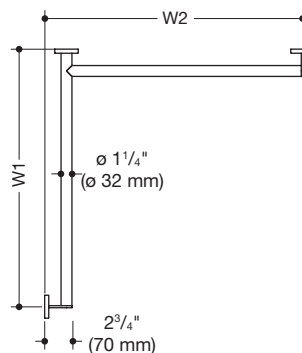
Version left



Version left



Version right



**HEWI Shower grab rail**

- rails  $\varnothing$  1 1/4" (32 mm), 2 3/4" (70 mm) deep, tube thickness 1/16" (2 mm), roses  $\varnothing$  2 3/4" (70 mm)
- made of high-quality stainless steel
- reduced number of mounting roses due to innovative corner connection
- compensation of the angle tolerance in the room corner up to +/- 2° possible
- including non-corrosive and tested HEWI fixing material for wall mounting and sealing tape for sealing the drilling points
- meets the requirements of 2010 ADA standards and ICC / ANSI A117.1-2017

W1 x W2 in inch (in mm)	Version right, satin finished	Version left, satin finished
25 1/2 x 25 1/2 (647 x 647)	<b>900.35.160XA</b>	<b>900.35.163XA</b>
37 5/16 x 19 1/2 (947 x 495)	<b>900.35.161XA</b>	<b>900.35.164XA</b>
37 5/16 x 37 5/16 (947 x 947)	<b>900.35.162XA</b>	<b>900.35.165XA</b>
18 11/16 - 70 7/8 x 18 11/16 - 70 7/8* (475 - 1800 x 475 - 1800)	<b>900.35.1S4XA</b>	<b>900.35.1S5XA</b>

W1 x W2 in inch (in mm)	Version right, chrome-plated	Version left, chrome-plated
25 1/2 x 25 1/2 (647 x 647)	<b>900.35.16040</b>	<b>900.35.16340</b>
37 5/16 x 19 1/2 (947 x 495)	<b>900.35.16140</b>	<b>900.35.16440</b>
37 5/16 x 37 5/16 (947 x 947)	<b>900.35.16240</b>	<b>900.35.16540</b>

W1 x W2 in inch (in mm)	Version right, powder-coated	Version left, powder-coated
25 1/2 x 25 1/2 (647 x 647)	<b>900.35.16060</b>	<b>900.35.16360</b>
37 5/16 x 19 1/2 (947 x 495)	<b>900.35.16160</b>	<b>900.35.16460</b>
37 5/16 x 37 5/16 (947 x 947)	<b>900.35.16260</b>	<b>900.35.16560</b>

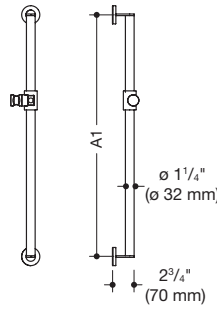
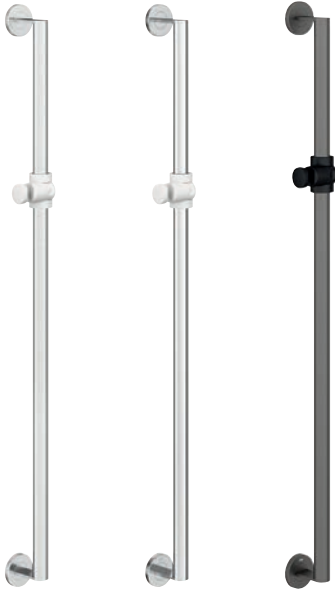


**HEWI Surfaces**

- ☑ ...60 DX matt white
- XA Chr ...60 SC matt dark gray pearl mica
- ...60 DC matt black

**66758, 66759, 67971**  
**66764, 66765, 67973**  
**66779**

**HEWI Rose** see page 120  
**HEWI Rose for corner support** see page 120  
**HEWI Tight round plate, packing unit 6 pcs.** see page 120



**HEWI Grab bar with shower head holder**

- rails  $\varnothing$  1 1/4" (32 mm), 2 3/4" (70 mm) deep, tube thickness 1/16" (2 mm), roses  $\varnothing$  2 3/4" (70 mm)
- made of high-quality stainless steel
- shower head holder made of high-quality matt polyamide in HEWI colors 98 (signal white), 92 (anthracite gray) and 90 (jet black)
- suitable for various manufacturers' shower heads
- shower head holder can be tilted continuously and, after pressing a large pushbutton, its height can be adjusted
- conical adapter on shower head holder facilitates accommodation of handspray
- including non-corrosive and tested HEWI fixing material for wall mounting and sealing tape for sealing the drilling points
- upper mounting point (non-visible area) is accessible for easy replacement of shower head holder
- meets the requirements of 2010 ADA standards and ICC / ANSI A117.1-2017

For the satin finished or chrome-plated version please advise color of shower head holder when ordering.

A1 in inch (in mm)	satin finished	chrome-plated	powder-coated
24 (610)	<b>900.33.060XA</b>	<b>900.33.06040</b>	<b>900.33.06060</b>
23 5/8 - 49 3/16 (600 - 1250)*	<b>900.33.0S2XA</b>		

- Rail
- Shower head holder

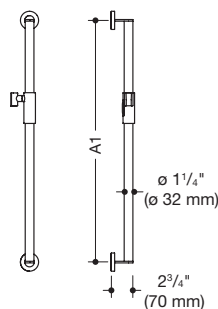
\*Please advise A1 when ordering.

**HEWI Powder coating | Material combinations with synthetic material**

- ...60 AS matt white | polyamide signal white matt
- ...60 ER matt dark gray pearl mica | polyamide jet black matt
- ...60 CV matt black | polyamide jet black matt

Item Number

Dimensions / Specification



**HEWI Grab bar with magnetic shower head holder**

- rails  $\varnothing$  1 1/4" (32 mm), 2 3/4" (70 mm) deep, tube thickness 1/16" (2 mm), roses  $\varnothing$  2 3/4" (70 mm)
- made of high-quality stainless steel
- with magnetic shower head holder made of high-quality stainless steel
- suitable for various manufacturers' shower heads
- simple and intuitive one-hand operation
- shower head holder infinitely adjustable, automatically fixed in place by magnets
- wear-free clamping mechanism
- conical holder on shower holder can be adjusted to any angle
- including non-corrosive and tested HEWI fixing material for wall mounting and sealing tape for sealing the drilling points
- meets the requirements of 2010 ADA standards and ICC / ANSI A117.1-2017

When ordering the satin finished or chrome-plated versions, please specify color 90 additionally (e.g.: 900.33M000XA90)

**New**

A1 in inch (in mm)	satin finished	chrome-plated	powder-coated
24 (610)	<b>900.33M060XA</b>	<b>900.33M06040</b>	<b>900.33M06060</b>
23 5/8 - 49 3/16 (600 - 1250)*	<b>900.33M0S2XA</b>		



\*Please advise A1 when ordering.

**HEWI Powder coating | Material combinations**

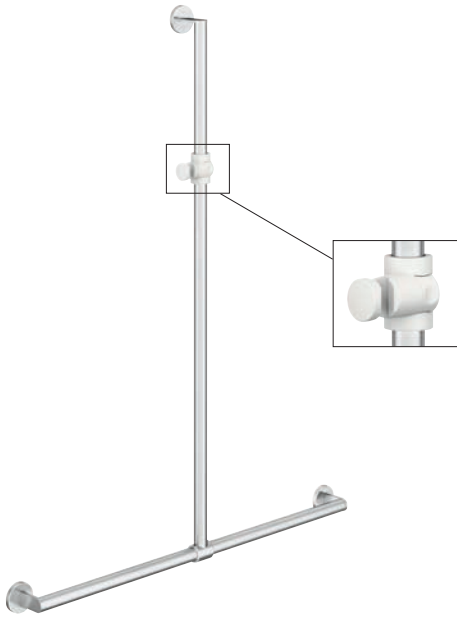
- ...60 VH matt white | matt light gray synthetic material
- ...60 ER matt dark gray pearl mica | matt black synthetic material
- ...60 CV matt black | matt black synthetic material

**HEWI Colors | Surfaces**

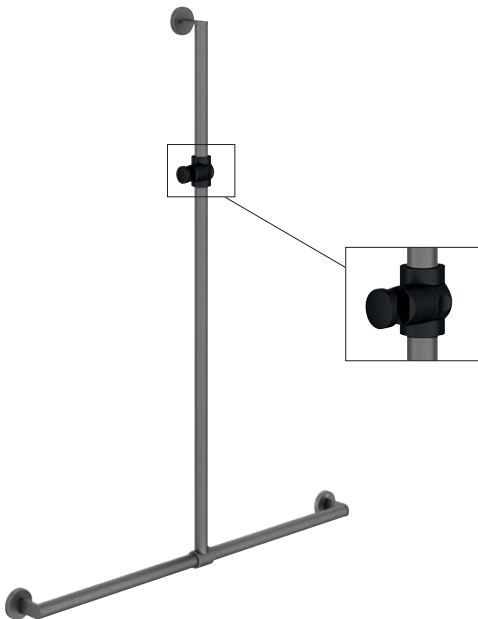
- 98
- 92
- XA
- Chr

- 66771**
- 66758, 66759, 67971**
- 66766, 66778, 67974**
- 66779, 71176, 71177510640, 71830, 71831**

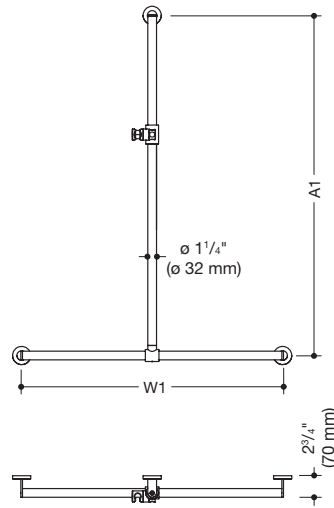
- HEWI Shower head holder for  $\varnothing$  1 1/4" (32 mm)** see page 121
- HEWI Rose** see page 120
- HEWI Rose with hole** see page 120
- HEWI Tight round plate, packing unit 10 pcs.** see page 120
- HEWI Compensating washer for offset tiles** see page 120



- Rails
- Shower head holder



- Rails
- Shower head holder



**HEWI Shower grab bar with sideways adjustable vertical support bar and shower head holder**

- rails  $\varnothing$  1 1/4" (32 mm), 2 3/4" (70 mm) deep, tube thickness 1/16" (2 mm), roses  $\varnothing$  2 3/4" (70 mm)
- made of high-quality stainless steel
- shower head holder made of high-quality matt polyamide in HEWI colors 98 (signal white), 92 (anthracite gray) and 90 (jet black)
- suitable for various manufacturers' shower heads
- shower head holder can be tilted continuously and, after pressing a large pushbutton, its height can be adjusted
- conical adapter on shower head holder facilitates accommodation of handspray
- reduced number of mounting roses due to innovative corner connection
- including non-corrosive and tested HEWI fixing material for wall mounting and sealing tape for sealing the drilling points
- upper mounting point (non-visible area) is accessible for easy replacement of shower head holder
- meets the requirements of 2010 ADA standards and ICC / ANSI A117.1-2017

For the satin finished or chrome-plated version please advise color of shower head holder when ordering.

**Please note when using with removable hanging seats**

Compatibility check required. A detailed list of the possible combinations of support rails, L-shaped support rails and shower head rails with matching removable hanging seats can be found in our online catalogue in the download area of the respective product.

A1 x W1 in inch (in mm)	satin finished	chrome-plated	powder-coated
49 3/16 x 18 (1250 x 457)	<b>900.35.460XA</b>	<b>900.35.46040</b>	<b>900.35.46060</b>
49 1/4 x 24 (1250 x 610)	<b>900.35.461XA</b>	<b>900.35.46140</b>	<b>900.35.46160</b>
49 1/4 x 36 (1250 x 914)	<b>900.35.462XA</b>	<b>900.35.46240</b>	<b>900.35.46260</b>
23 5/8 - 49 3/16 x 11 13/16 - 59 1/16* (600 - 1250 x 300 - 1500)	<b>900.35.4S2XA</b>		

**\*Attention:**

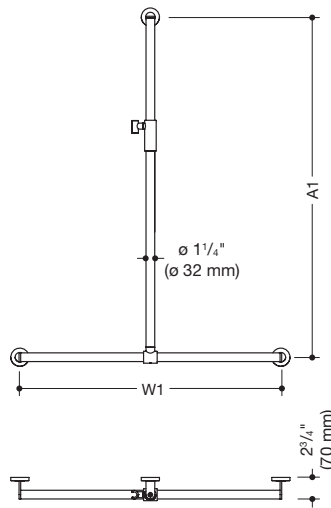
From an external dimension of W1 = 46 11/16" (1185 mm), A1 has an additional wall mounting. Please advise A1 and W1 when ordering.

**HEWI Powder coating | Material combinations with synthetic material**

- ...60 AS matt white | matt white synthetic material
- ...60 ER matt dark gray pearl mica | matt black synthetic material
- ...60 CV matt black | matt black synthetic material

Item Number

Dimensions / Specification



**HEWI Shower grab bar with sideways adjustable vertical support bar and magnetic shower head holder**

- rails  $\varnothing$  1 1/4" (32 mm), 2 3/4" (70 mm) deep, tube thickness 1/16" (2 mm), roses  $\varnothing$  2 3/4" (70 mm)
- made of high-quality stainless steel
- with magnetic shower holder made of high-quality stainless steel
- suitable for various manufacturers' shower heads
- simple and intuitive one-hand operation
- shower head holder infinitely adjustable, automatically fixed in place by magnets
- wear-free clamping mechanism
- conical holder on shower holder can be adjusted to any angle
- reduced number of mounting roses due to innovative corner connection
- including non-corrosive and tested HEWI fixing material for wall mounting and sealing tape for sealing the drilling points
- meets the requirements of 2010 ADA standards and ICC / ANSI A117.1-2017

When ordering the satin finished or chrome-plated versions, please specify color 90 additionally (e.g.: 900.35M460XA90)

**Please note when using with removable hanging seats**

Compatibility check required. A detailed list of the possible combinations of support rails, L-shaped support rails and shower head rails with matching removable hanging seats can be found in our online catalogue in the download area of the respective product.

<b>New</b> A1 x W1 in inch (in mm)	satin finished	chrome-plated	powder-coated
49 3/16 x 18 (1250 x 457)	<b>900.35M460XA</b>	<b>900.35M46040</b>	<b>900.35M46060</b>
49 1/4 x 24 (1250 x 610)	<b>900.35M461XA</b>	<b>900.35M46140</b>	<b>900.35M46160</b>
49 1/4 x 36 (1250 x 914)	<b>900.35M462XA</b>	<b>900.35M46240</b>	<b>900.35M46260</b>
23 5/8 - 49 3/16 x 11 13/16 - 59 1/16 (600 - 1250 x 300 - 1500)*	<b>900.35M4S2XA</b>		

**HEWI Powder coating | Material combinations**

- ☐ ...60 VH matt white | matt light gray synthetic material
- ...60 ER matt dark gray pearl mica | matt black synthetic material
- ...60 CV matt black | matt black synthetic material

**\*Attention:**

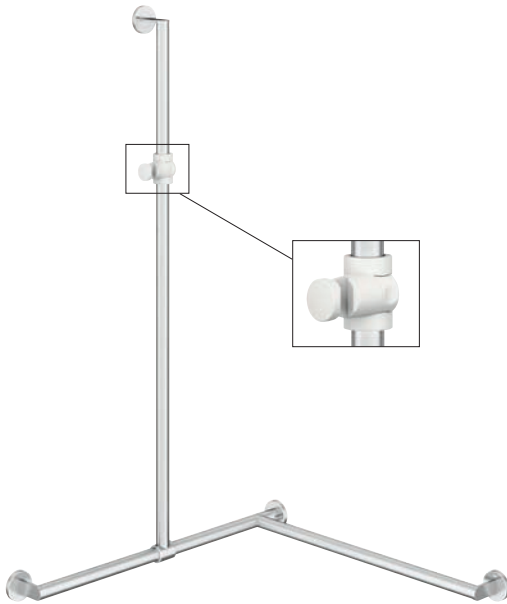
From an external dimension of W1 = 46 11/16" (1185 mm), A1 has an additional wall mounting. Please advise A1 and W1 when ordering.

**HEWI Colors | Surfaces**

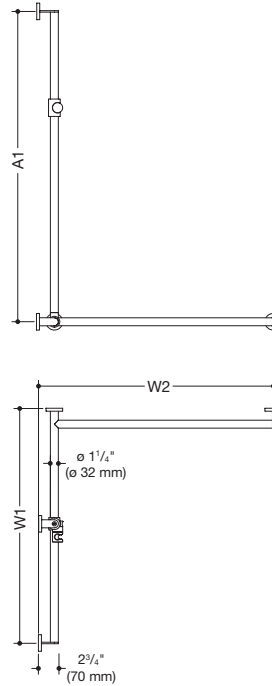
- ☐ 98
- 92
- ▨ XA
- ▨ Chr

- Spare parts **66771**  
**66758, 66759, 67971**  
**66766, 66778, 67974**  
**66779**  
**510640, 71830, 71831**  
 Accessories **802.03B200**

- HEWI Shower head holder for  $\varnothing$  1 1/4" (32 mm)** see page 121  
**HEWI Rose** see page 120  
**HEWI Rose with hole** see page 120  
**HEWI Tight round plate, packing unit 10 pcs.** see page 120  
**HEWI Compensating washer for offset tiles** see page 120  
**HEWI Storage box** to be ordered separately, see page 53  
 HEWI Sanitary | **83**



Version right



**\*Attention:**

From an external dimension of  $W2 = 38''$  (965 mm) the rail has a centrally positioned, additional wall mounting.  
 From an external dimension of  $W1 = 46\ 11/16''$  (1185 mm),  $A1$  has an additional wall mounting.  
 Please advise  $A1$ ,  $W1$  and  $W2$  when ordering.

- Rails
- Shower head holder

**HEWI Shower grab bar with sideways adjustable vertical support bar and shower head holder**

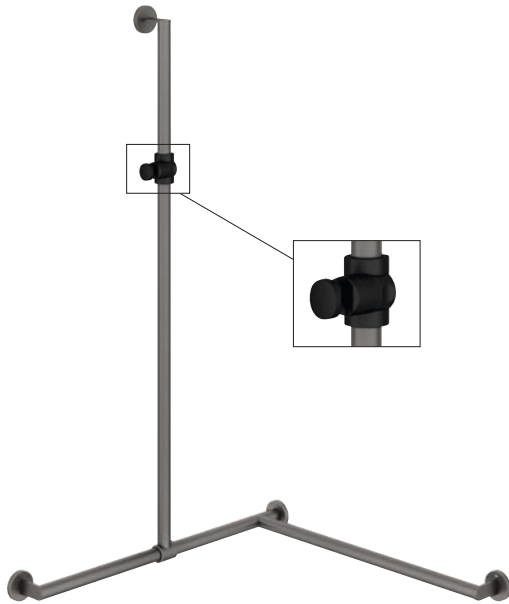
- rails  $\phi 1\ 1/4''$  (32 mm),  $2\ 3/4''$  (70 mm) deep, tube thickness  $1/16''$  (2 mm), roses  $\phi 2\ 3/4''$  (70 mm)
- made of high-quality stainless steel
- shower head holder made of high-quality matt polyamide in HEWI colors 98 (signal white) and 92 (anthracite gray)
- suitable for various manufacturers' shower heads
- shower head holder can be tilted continuously and, after pressing a large pushbutton, its height can be adjusted
- conical adapter on shower head holder facilitates accommodation of handspray
- reduced number of mounting roses due to innovative corner connection
- compensation of the angle tolerance in the room corner up to  $\pm 2^\circ$  possible
- including non-corrosive and tested HEWI fixing material for wall mounting and sealing tape for sealing the drilling points
- upper mounting point (non-visible area) is accessible for easy replacement of shower head holder
- meets the requirements of 2010 ADA standards and ICC / ANSI A117.1-2017

Please advise color of shower head holder when ordering.

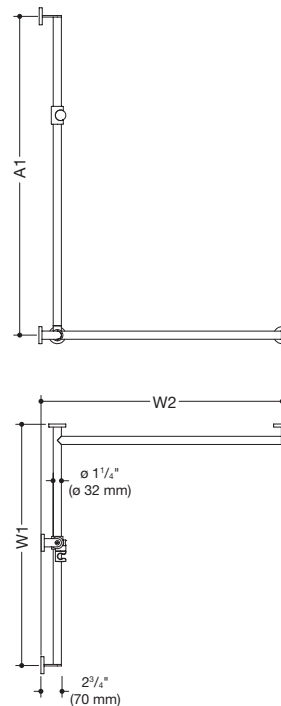
A1 x W1 x W2 in inch (in mm)	Version right satin finished	Version left satin finished	Version right chrome-plated	Version left chrome-plated
49 3/16 x 31 1/2 x 31 1/2 (1250 x 800 x 800)	<b>900.35.360XA</b>	<b>900.35.362XA</b>	<b>900.35.36040</b>	<b>900.35.36240</b>
49 3/16 x 37 5/16 x 25 1/2 (1250 x 947 x 647)	<b>900.35.361XA</b>	<b>900.35.363XA</b>	<b>900.35.36140</b>	<b>900.35.36340</b>
23 5/8 - 49 3/16 x 18 11/16 - 70 7/8 x 18 11/16 - 70 7/8 (600 - 1250 x 475 -1800 x 475 -1800)*	<b>900.35.3S4XA</b>	<b>900.35.3S5XA</b>		

**HEWI Powder coating | Material combinations with synthetic material**

- ...60 AS** matt white | polyamide signal white matt
- ...60 ER** matt dark gray pearl mica | polyamide jet black matt
- ...60 CV** matt black | polyamide jet black matt



Version right



- ■ ■ Rails
- ■ ■ Shower head holder

**HEWI Shower grab bar with sideways adjustable vertical support bar and shower head holder**

- rails ø 1 1/4" (32 mm), 2 3/4" (70 mm) deep, tube thickness 1/16" (2 mm), roses ø 2 3/4" (70 mm)
- made of high-quality stainless steel, powder-coated in HEWI color CV (matt black) with shower head holder made of matt black polyamide or powder-coated in HEWI colors AS (matt white) and ER (matt dark gray pearl mica)
- shower head holder made of high-quality matt polyamide in HEWI colors 98 (signal white) and 90 (jet black)
- suitable for various manufacturers' shower heads
- shower head holder can be tilted continuously and, after pressing a large pushbutton, its height can be adjusted
- conical adapter on shower head holder facilitates accommodation of handspray
- reduced number of mounting roses due to innovative corner connection
- compensation of the angle tolerance in the room corner up to +/- 2° possible
- including non-corrosive and tested HEWI fixing material for wall mounting and sealing tape for sealing the drilling points
- upper mounting point (non-visible area) is accessible for easy replacement of shower head holder
- meets the requirements of 2010 ADA standards and ICC / ANSI A117.1-2017

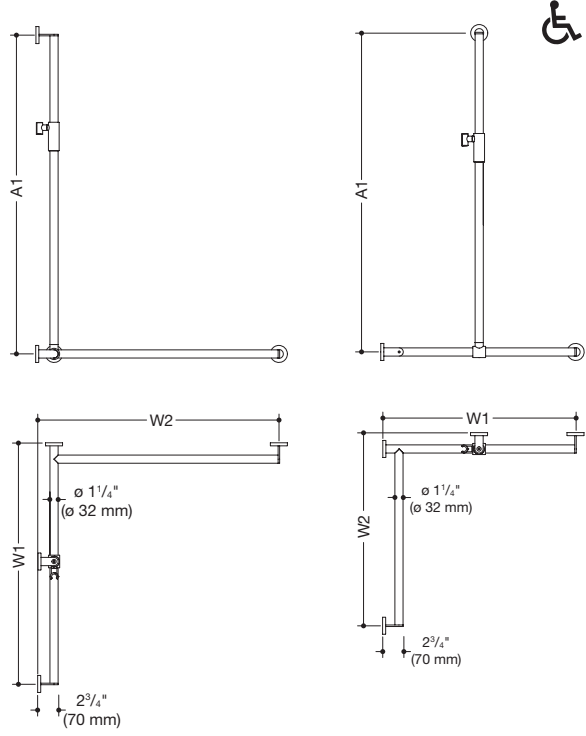
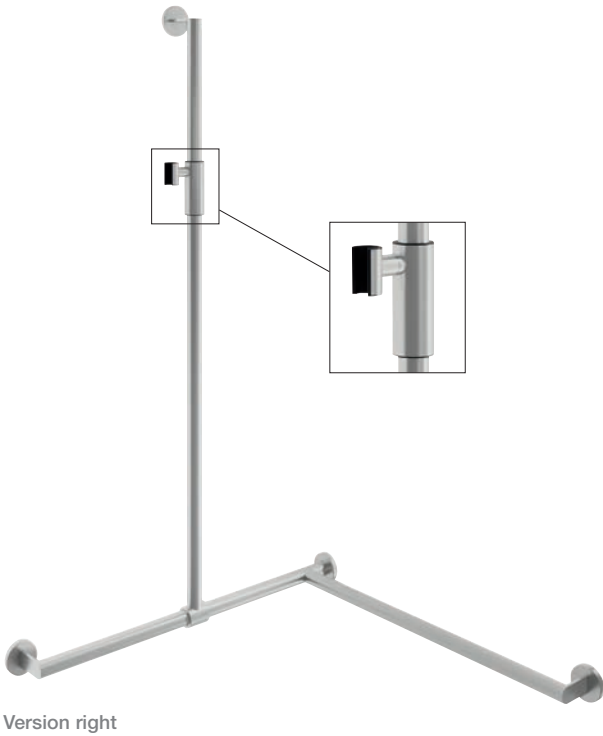
A1 x W1 x W2 in inch (in mm)	Version right powder-coated	Version left powder-coated
49 3/16 x 31 1/2 x 31 1/2 (1250 x 800 x 800)	<b>900.35.36060</b>	<b>900.35.36260</b>
49 3/16 x 37 5/16 x 25 1/2 (1250 x 947 x 647)	<b>900.35.36160</b>	<b>900.35.36360</b>

**HEWI Colors | Surfaces**

- ☐ ■ ▨ ▨
- 98 92 XA Chr

- Spare parts **66771**  
**66758, 66759, 67971**  
**66766, 66778, 67974**  
**66779**  
**510640, 71830, 71831**  
 Accessories **802.03B200**

- HEWI Shower head holder for ø 1 1/4" (32 mm)** see page 121  
**HEWI Rose** see page 120  
**HEWI Rose with hole** see page 120  
**HEWI Tight round plate, packing unit 10 pcs.** see page 120  
**HEWI Compensating washer for offset tiles** see page 120  
**HEWI Storage box** to be ordered separately, see page 53  
 HEWI Sanitary | **85**



Version right

**HEWI Shower grab bar with sideways adjustable vertical support bar and magnetic shower head holder**

- rails  $\varnothing$  1 1/4" (32 mm), 2 3/4" (70 mm) deep, tube thickness 1/16" (2 mm), roses  $\varnothing$  2 3/4" (70 mm)
- made of high-quality stainless steel
- with magnetic shower holder made of high-quality stainless steel
- suitable for various manufacturers' shower heads
- simple and intuitive one-hand operation
- shower head holder infinitely adjustable, automatically fixed in place by magnets, wear-free clamping mechanism
- conical holder on shower head holder can be adjusted to any angle
- reduced number of mounting roses due to innovative corner connection
- compensation of the angle tolerance in the room corner up to +/- 2° possible
- including non-corrosive and tested HEWI fixing material for wall mounting and sealing tape for sealing the drilling points
- meets the requirements of 2010 ADA standards and ICC / ANSI A117.1-2017

**\*Attention:**

From an external dimension of W2 = 38" (965 mm) the rail has a centrally positioned, additional wall mounting.  
 From an external dimension of W1 = 46 11/16" (1185 mm), A1 has an additional wall mounting.  
 Please advise A1, W1 and W2 when ordering.



**New**

A1 x W1 x W2 in inch (in mm)	Version right satin finished	Version left satin finished	Version right chrome-plated	Version left chrome-plated
49 3/16 x 31 1/2 x 31 1/2 (1250 x 800 x 800)	<b>900.35M360XA</b>	<b>900.35M362XA</b>	<b>900.35M36040</b>	<b>900.35M36240</b>
49 3/16 x 37 5/16 x 25 1/2 (1250 x 947 x 647)	<b>900.35M361XA</b>	<b>900.35M363XA</b>	<b>900.35M36140</b>	<b>900.35M36340</b>
23 5/8 - 49 3/16 x 18 11/16 - 70 7/8 x 18 11/16 - 70 7/8 (600 - 1250 x 475 -1800 x 475 -1800)*	<b>900.35M3S4XA</b>	<b>900.35M3S5XA</b>		

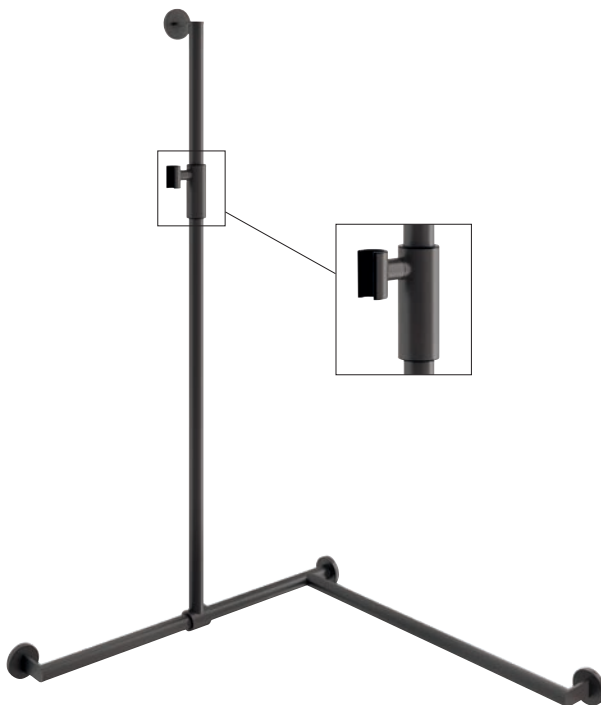
**HEWI Powder coating | Material combinations**

- ...60 VH matt white | matt light gray synthetic material
- ...60 ER matt dark gray pearl mica | matt black synthetic material
- ...60 CV matt black | matt black synthetic material

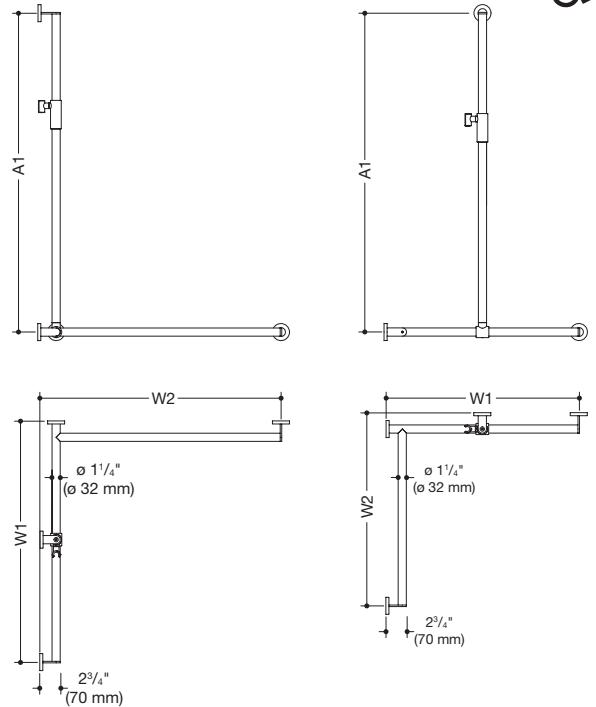


Item Number

Dimensions / Specification



Version right



**HEWI Shower grab bar with sideways adjustable vertical support bar and magnetic shower head holder**

- rails  $\varnothing$  1 1/4" (32 mm), 2 3/4" (70 mm) deep, tube thickness 1/16" (2 mm), roses  $\varnothing$  2 3/4" (70 mm)
- made of high-quality stainless steel, powder-coated in HEWI colors CV (matt black), ER (matt dark gray pearl mica) and VH (matt white) with powder-coated magnetic shower head holder in the same color
- suitable for various manufacturers' shower heads
- simple and intuitive one-hand operation
- shower head holder infinitely adjustable, automatically fixed in place by magnets, wear-free clamping mechanism
- conical holder on shower holder can be adjusted to any angle
- reduced number of mounting roses due to innovative corner connection
- compensation of the angle tolerance in the room corner up to +/- 2° possible
- including non-corrosive and tested HEWI fixing material for wall mounting and sealing tape for sealing the drilling points
- meets the requirements of 2010 ADA standards and ICC / ANSI A117.1-2017

**Please note when using with removable hanging seats**

Compatibility check required. A detailed list of the possible combinations of support rails, L-shaped support rails and shower head rails with matching removable hanging seats can be found in our online catalogue in the download area of the respective product.

**New**

**A1 x W1 x W2  
in inch (in mm)**

	Version right powder-coated	Version left powder-coated
49 3/16 x 31 1/2 x 31 1/2 (1250 x 800 x 800)	<b>900.35M36060</b>	<b>900.35M36260</b>
49 3/16 x 37 5/16 x 25 1/2 (1250 x 947 x 647)	<b>900.35M36160</b>	<b>900.35M36360</b>

**HEWI Surfaces**

- 
- XA Chr

Spare parts **66758, 66759, 67971  
66766, 66778, 67974  
66779**  
Accessories **510640, 71830, 71831  
802.03B200**

**HEWI Rose** see page 120

**HEWI Rose with hole** see page 120

**HEWI Tight round plate, packing unit 10 pcs.** see page 120

**HEWI Compensating washer for offset tiles** see page 120

**HEWI Storage box** to be ordered separately, see page 53

# System 900

## Sit

### VARIETY OF VARIANTS

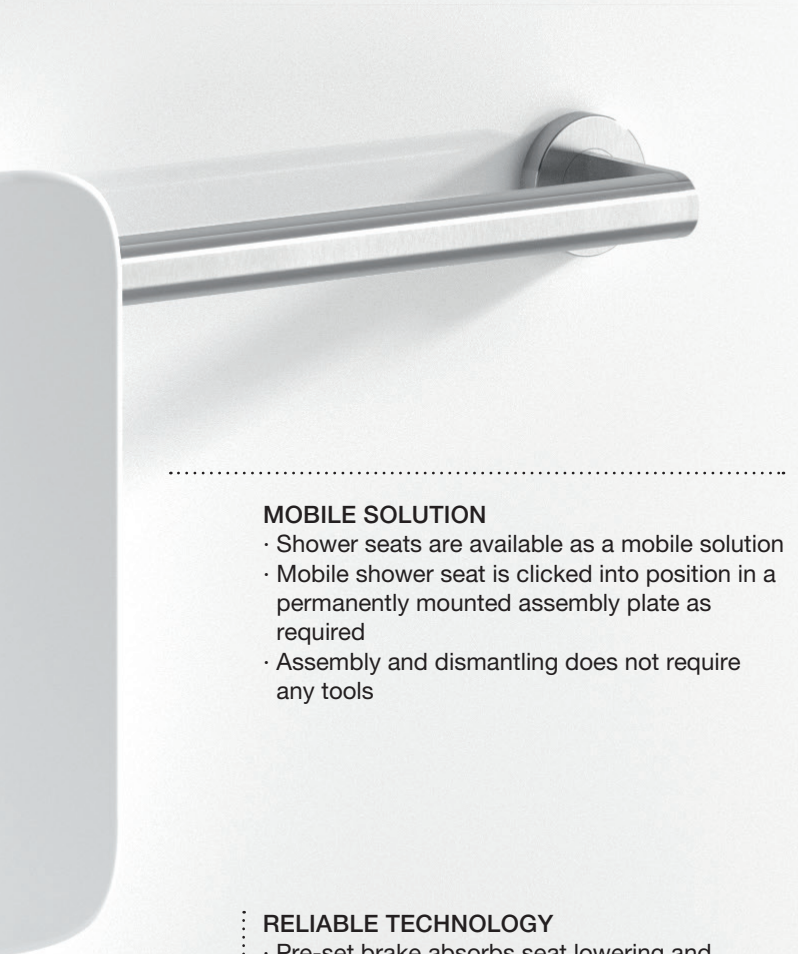
- Extremely lightweight hanging seats
- Permanently installed folding shower seats
- Mobile tool-free solutions

### COMFORT

- Pleasant, non-slip surface
- Slightly molded seat and the ergonomic backrest ensure stable positioning
- Thermoplastic seat yields slightly, especially soft seats

### SEALING ELEMENT

- Assembly plate can be supplemented with sealing tape (included in the delivery scope)
- Seals the fixing element reliably toward the wall
- Compensates joints or unevenness on walls



---

#### **MOBILE SOLUTION**

- Shower seats are available as a mobile solution
- Mobile shower seat is clicked into position in a permanently mounted assembly plate as required
- Assembly and dismantling does not require any tools

---

#### **RELIABLE TECHNOLOGY**

- Pre-set brake absorbs seat lowering and minimises the risk of injury
- Reliable fixing and solid design improve stability



---

#### **HYGIENIC DESIGN**

- Seat surface made of thermoplastic (polypropylene) is resistant to cleaning and wound disinfectant (no discoloration)
- Minimum number of components, few joints
- Easy-care, leaning agent-resistant materials
- Concealed fixing
- No water stains



- Wall bracket
- Seat

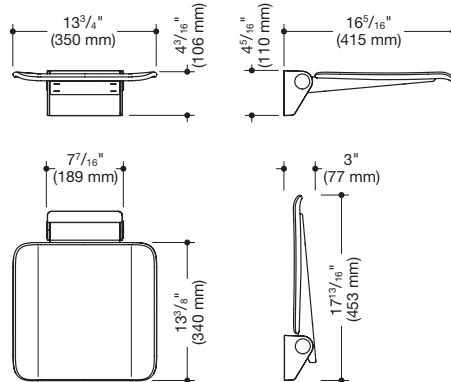


- Wall bracket
- Seat



- Wall bracket
- Seat

**900.51.200XA\***  
**900.51.20040\***  
**900.51.20060**



**HEWI Folding shower seat**

- slip-resistant, textured seat made of synthetic material in HEWI colors 98 (signal white) and 92 (anthracite gray), can be folded up
- reinforcement of the seat made of aluminum, powder coated in the color of the seat, weight capacity up to 330 lbs (150 kg)
- seat depth when folded up 3" (77 mm)
- aluminum seat bracket ensures stability and safety
- moulded seat defines the sitting position (lightly curved shape provides pleasant support)
- seat made of thermoplastic synthetic material (polypropylene) enables an extremely resistant, hygienic surface and particularly soft seat comfort
- maintenance free, permanently smooth and easy moving joint
- 13 3/4" (350 mm) wide, 16 5/16" (415 mm) deep, 4 5/16" (110 mm) high
- seat 13 3/4" (350 mm) wide and 13 3/8" (340 mm) deep
- for mounting with non-corrosive and tested HEWI fixing materials for different wall systems (to be ordered separately)
- sealing tape for sealing fixing points is included in scope of supply
- wall bracket made of stainless steel, satin finished
- wall bracket made of stainless steel, chrome-plated
- wall bracket made of stainless steel, powder-coated in HEWI colors AS (matt white) and ER (matt dark gray pearl mica) with white seat or powder-coated in HEWI color CV (matt black) with black seat

\*Please advise color of seat when ordering.

**Fixing material for folding shower seats to be ordered separately** for fixing on walls made of:

**BM17.2**  
**BM10.2**  
**BM11.2**  
**BM12.2**  
**BM13.2**  
**BM18.2**

- concrete > C20/C25, national technical approval number: ETA-11/0493
- concrete > C20/C25
- autoclaved aerated concrete (> P2)
- lightweight walls with rear lining made of laminated timber boards ...
- lightweight walls with integrated steel plates ...
- hollow concrete block, vertically perforated bricks, solid bricks ..., national technical approval number: ETA-13/1036

**HEWI Powder coating | Material combinations with synthetic material**

- ...60 AS matt white | polyamide signal white matt
- ...60 ER matt dark gray pearl mica | polyamide jet black matt
- ...60 CV matt black | polyamide jet black matt

**HEWI Spare parts for folding shower seats** see page 121

Item Number

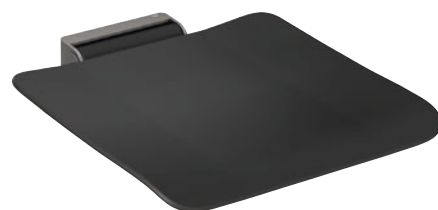
Dimensions / Specification



☑ Wall bracket  
☑ ■ Seat



☐ Wall bracket  
☑ ■ Seat



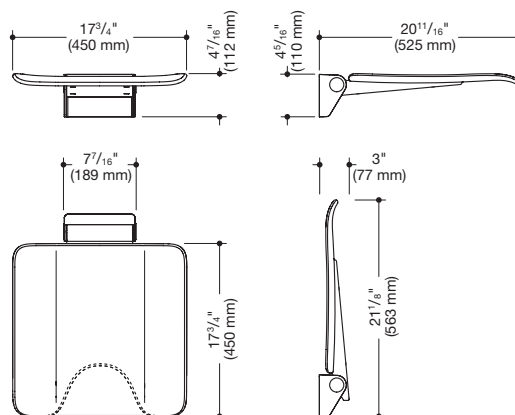
☐ ■ Wall bracket  
☑ ■ ■ Seat



900.51.202XA\*  
900.51.20240\*  
900.51.20260



900.51.204XA\*  
900.51.20440\*  
900.51.20460



**HEWI Folding shower seat**

- slip-resistant, textured seat made of synthetic material in HEWI colors 98 (signal white) and 92 (anthracite gray), can be folded up
- reinforcement of the seat made of aluminum, powder coated in the color of the seat, weight capacity up to 330 lbs (150 kg)
- seat depth when folded up 3" (77 mm)
- aluminum seat bracket ensures stability and safety
- moulded seat defines the sitting position (lightly curved shape provides pleasant support)
- seat made of thermoplastic synthetic material (polypropylene) enables and extremely resistant, hygienic surface and particularly soft seat comfort
- maintenance free, permanently smooth and easy moving joint
- 17 3/4" (450 mm) wide, 20 11/16" (525 mm) deep, 4 7/16" (112 mm) high
- seat 17 3/4" (450 mm) wide and 17 3/4" (450 mm) deep
- for mounting with non-corrosive and tested HEWI fixing materials for different wall systems (to be ordered separately)
- sealing tape for sealing fixing points is included in scope of supply
- meets DIN 18040, ÖNORM B1600/1601 and SIA 500 requirements
- wall bracket made of stainless steel, satin finished
- wall bracket made of stainless steel, chrome-plated
- wall bracket made of stainless steel, powder-coated in HEWI colors AS (matt white) and ER (matt dark gray pearl mica) with white seat or powder-coated in HEWI color CV (matt black) with black seat

**with hygiene cutout**

- wall bracket made of stainless steel, satin finished
- wall bracket made of stainless steel, chrome-plated
- wall bracket made of stainless steel, powder-coated in HEWI colors AS (matt white) and ER (matt dark gray pearl mica) with white seat or powder-coated in HEWI color CV (matt black) with black seat

\*Please advise color of seat when ordering.

BM17.2  
BM10.2  
BM11.2  
BM12.2  
BM13.2  
BM18.2

**Fixing material for folding shower seats to be ordered separately** for fixing on walls made of:

- concrete > C20/C25, national technical approval number: ETA-11/0493
- concrete > C20/C25 autoclaved aerated concrete (> P2)
- lightweight walls with rear lining made of laminated timber boards ...
- lightweight walls with integrated steel plates ...
- hollow concrete block, vertically perforated bricks, solid bricks ..., national technical approval number: ETA-13/1036

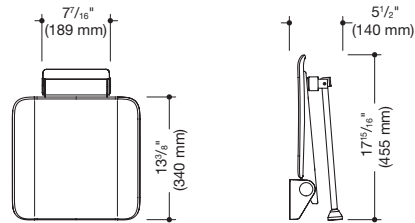
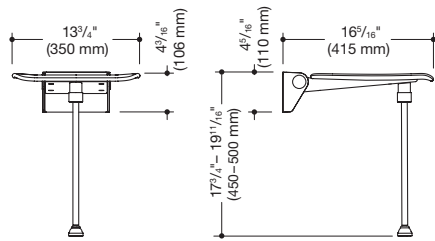
**HEWI Colors | Surfaces**

☑ ■ 98 92    ☑ ■ XA Chr

**HEWI Spare parts for folding shower seats** see page 121



**900.51.201XA\***  
**900.51.20140\***  
**900.51.20160**



**HEWI Folding shower seat with floor support**

- slip-resistant, textured seat made of synthetic material in HEWI colors 98 (signal white) and 92 (anthracite gray)
- reinforcement of the seat made of aluminum, powder coated in the color of the seat
- seat can be folded up to save space
- seat depth when folded up 5 1/2" (140 mm)
- weight capacity up to 330 lbs (150 kg)
- aluminum seat bracket ensures stability and safety
- moulded seat defines the sitting position (lightly curved shape provides pleasant support)
- seat made of thermoplastic synthetic material (polypropylene) enables an extremely resistant, hygienic surface and particularly soft seat comfort
- maintenance free, permanently smooth and easy moving joint
- with floor support for seat height 17 11/16" - 19 11/16" (450 - 500 mm), powder coated in the color of the seat
- 13 3/4" (350 mm) wide, 16 5/16" (415 mm) deep, 4 5/16" (110 mm) high
- seat 13 3/4" (350 mm) wide and 13 3/8" (340 mm) deep
- for mounting with non-corrosive and tested HEWI fixing materials for different wall systems (to be ordered separately)
- sealing tape for sealing fixing points is included in scope of supply
- wall bracket made of stainless steel, satin finished
- wall bracket made of stainless steel, chrome-plated
- wall bracket made of stainless steel, powder-coated in HEWI colors AS (matt white) with white seat or powder-coated in HEWI colors ER (matt dark gray pearl mica) and CV (matt black) with black seat

\*Please advise color of seat when ordering.

**BM17.2**  
**BM10.2**  
**BM11.2**  
**BM12.2**  
**BM13.2**  
**BM18.2**

**Fixing material for folding shower seats to be ordered separately** for fixing on walls made of:

- concrete > C20/C25, national technical approval number: ETA-11/0493
- concrete > C20/C25 autoclaved aerated concrete (> P2)
- lightweight walls with rear lining made of laminated timber boards ...
- lightweight walls with integrated steel plates ...
- hollow concrete block, vertically perforated bricks, solid bricks ..., national technical approval number: ETA-13/1036

**HEWI Powder coating | Material combinations with synthetic material**

- ...60 AS matt white | polyamide signal white matt
- ...60 ER matt dark gray pearl mica | polyamide jet black matt
- ...60 CV matt black | polyamide jet black matt

**HEWI Spare parts for folding shower seats** from page 121

Item Number

Dimensions / Specification



- Wall bracket
- Seat



- Wall bracket
- Seat

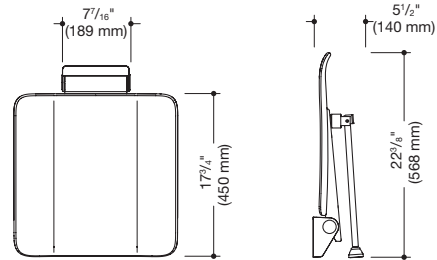
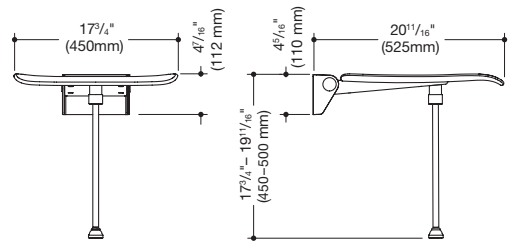


- Wall bracket
- Seat



**900.51.205XA\***  
**900.51.20540\***  
**900.51.20560**

**900.51.214XA\***  
**900.51.21440\***  
**900.51.21460**



**HEWI Folding shower seat with floor support**

- slip-resistant, textured seat made of synthetic material in HEWI colors 98 (signal white) and 92 (anthracite gray), can be folded up
- reinforcement of the seat made of aluminum, powder coated in the color of the seat, weight capacity up to 330 lbs (150 kg)
- seat depth when folded up 5 1/2" (140 mm)
- aluminum seat bracket ensures stability and safety
- moulded seat defines the sitting position (lightly curved shape provides pleasant support)
- seat made of thermoplastic synthetic material (polypropylene) enables and extremely resistant, hygienic surface and particularly soft seat comfort
- maintenance free, permanently smooth and easy moving joint
- with floor support for seat height 17 11/16" - 19 11/16" (450 - 500 mm), powder coated in the color of the seat
- 17 3/4" (450 mm) wide, 20 11/16" (525 mm) deep, 4 7/16" (112 mm) high
- seat 17 3/4" (450 mm) wide and 17 3/4" (450 mm) deep
- for mounting with non-corrosive and tested HEWI fixing materials for different wall systems (to be ordered separately)
- sealing tape for sealing fixing points is included in scope of supply
- meets DIN 18040, ÖNORM B1600/1601 and SIA 500 requirements

- wall bracket made of stainless steel, satin finished
- wall bracket made of stainless steel, chrome-plated
- wall bracket made of stainless steel, powder-coated in HEWI colors AS (matt white) with white seat or powder-coated in HEWI colors ER (matt dark gray pearl mica) and CV (matt black) with black seat

**with hygiene cutout**

- wall bracket made of stainless steel, satin finished
- wall bracket made of stainless steel, chrome-plated
- wall bracket made of stainless steel, powder-coated in HEWI colors AS (matt white) with white seat or powder-coated in HEWI colors ER (matt dark gray pearl mica) and CV (matt black) with black seat

\*Please advise color of seat when ordering.  
 Fixing material for folding shower seats to be ordered separately see left

**HEWI Colors | Surfaces**

- 98  92
- XA  Chr

**HEWI Spare parts for folding shower seats** from page 121



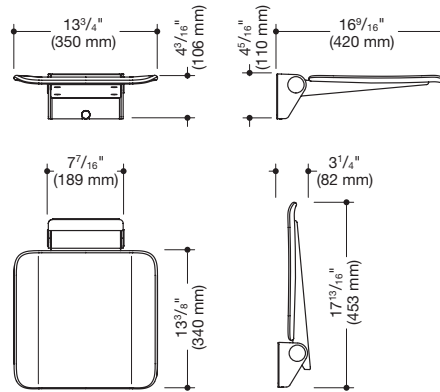
Wall bracket  
 Seat



Wall bracket  
 Seat



Wall bracket  
 Seat



**HEWI Mobile folding shower seat**

- slip-resistant, textured seat made of synthetic material in HEWI colors 98 (signal white) and 92 (anthracite gray)
- reinforcement of the seat made of aluminum, powder coated in the color of the seat
- seat can be folded up to save space
- seat depth when folded up 3 1/4" (82 mm)
- weight capacity up to 330 lbs (150 kg)
- aluminum seat bracket ensures stability and safety
- moulded seat defines the sitting position (lightly curved shape provides pleasant support)
- seat made of thermoplastic synthetic material (polypropylene) enables an extremely resistant, hygienic surface and particularly soft seat comfort
- maintenance free, permanently smooth and easy moving joint
- for mobile use
- for easy and flexible retrofitting on existing, preassembled mounting plate: 900.51.001... (to be ordered separately)
- tool-free, quick installation by means of simple hanging of the seat
- secured by fixing screw
- 13 3/4" (350 mm) wide, 16 9/16" (420 mm) deep, 4 5/16" (110 mm) high (incl. mounting plate)
- seat 13 3/4" (350 mm) wide and 13 3/8" (340 mm) deep
- for mounting with non-corrosive and tested HEWI fixing materials for different wall systems (to be ordered separately)
- sealing tape for sealing fixing points is included in scope of supply
- wall bracket made of stainless steel, satin finished
- wall bracket made of stainless steel, chrome-plated
- wall bracket made of stainless steel, powder-coated in HEWI colors AS (matt white) and ER (matt dark gray pearl mica) with white seat or powder-coated in HEWI color CV (matt black) with black seat

\*Please advise color of seat when ordering.

**900.51.400XA\***  
**900.51.40040\***  
**900.51.40060**

**Fixing material for mobile folding shower seats to be ordered separately**

for fixing on walls made of:

**BM17.2**  
**BM10.2**  
**BM11.2**  
**BM12.2**  
**BM13.2**  
**BM18.2**

concrete > C20/C25, national technical approval number: ETA-11/0493  
 concrete > C20/C25  
 autoclaved aerated concrete (> P2)  
 lightweight walls with rear lining made of laminated timber boards ...  
 lightweight walls with integrated steel plates ...  
 hollow concrete block, vertically perforated bricks, solid bricks ..., national technical approval number: ETA-13/1036

**HEWI Powder coating | Material combinations with synthetic material**

- ...60 AS matt white | polyamide signal white matt
- ...60 ER matt dark gray pearl mica | polyamide jet black matt
- ...60 CV matt black | polyamide jet black matt

**HEWI Mounting plate** from page 96

**HEWI Spare parts for mobile folding shower seats** s. page 121



Item Number

Dimensions / Specification



- Wall bracket
- Seat



- Wall bracket
- Seat

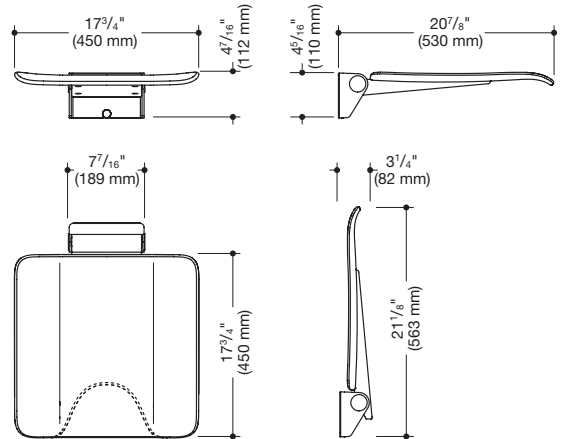


- Wall bracket
- Seat



**900.51.401XA\***  
**900.51.40140\***  
**900.51.40160**

**900.51.404XA\***  
**900.51.40440\***  
**900.51.40460**



**HEWI Mobile folding shower seat**

- slip-resistant, textured seat made of synthetic material in HEWI colors 98 (signal white) and 92 (anthracite gray)
- reinforcement of the seat made of aluminum, powder coated in the color of the seat
- seat can be folded up to save space
- seat depth when folded up 3 1/4" (82 mm)
- weight capacity up to 330 lbs (150 kg)
- aluminum seat bracket ensures stability and safety
- moulded seat defines the sitting position (lightly curved shape provides pleasant support)
- seat made of thermoplastic synthetic material (polypropylene) enables an extremely resistant, hygienic surface and particularly soft seat comfort
- maintenance free, permanently smooth and easy moving joint
- for mobile use
- for easy and flexible retrofitting on existing, preassembled mounting plate: 900.51.001... (to be ordered separately)
- tool-free, quick installation by means of simple hanging of the seat
- secured by fixing screw
- 17 3/4" (450 mm) wide, 20 7/8" (530 mm) deep, 4 7/16" (112 mm) high (incl. mounting plate)
- seat 17 3/4" (450 mm) wide and 17 3/4" (450 mm) deep
- for mounting with non-corrosive and tested HEWI fixing materials for different wall systems (to be ordered separately)
- sealing tape for sealing fixing points is included in scope of supply
- meets DIN 18040, ÖNORM B1600/1601 and SIA 500 requirements
- wall bracket made of stainless steel, satin finished
- wall bracket made of stainless steel, chrome-plated
- wall bracket made of stainless steel, powder-coated in HEWI colors AS (matt white) and ER (matt dark gray pearl mica) with white seat or powder-coated in HEWI color CV (matt black) with black seat

**with hygiene cutout**

- wall bracket made of stainless steel, satin finished
- wall bracket made of stainless steel, chrome-plated
- wall bracket made of stainless steel, powder-coated in HEWI colors AS (matt white) and ER (matt dark gray pearl mica) with white seat or powder-coated in HEWI color CV (matt black) with black seat

\*Please advise color of seat when ordering.

**HEWI Colors | Surfaces**

- 98
- 92
- XA
- Chr

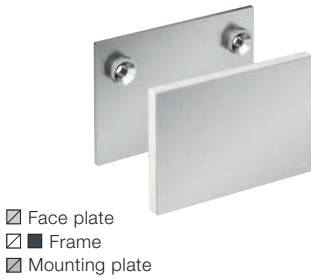
**Fixing material for mobile folding shower seats to be ordered separately** see left

**HEWI Mounting plate** from page 96

**HEWI Spare parts for mobile folding shower seats** s. page 121

Item Number

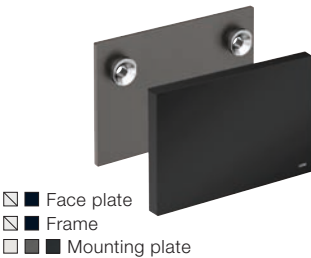
Dimensions / Specification



- Face plate
- Frame
- Mounting plate



- Face plate
- Frame
- Mounting plate

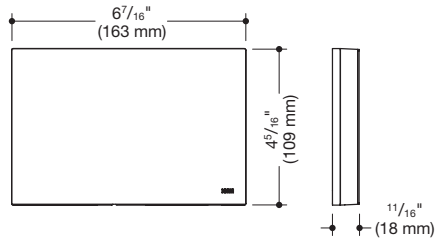


- Face plate
- Frame
- Mounting plate

900.51.003XA

900.51.00340

900.51.00360



**HEWI Mounting plate with cover**

- 6 7/16" (163 mm) wide, 4 5/16" (109 mm) high, 1 1/16" (18 mm) deep
- mounting plate made of stainless steel (satin finished, chrome-plated or powder-coated)
- cover frame made of high-quality polyamide in HEWI colors 98 (signal white), 92 (anthracite gray) resp. signal white matt or jet black matt
- face plate of the cover made of high-quality stainless steel (satin finished, mirror polished or powder-coated)
- for mounting with non-corrosive and tested HEWI fixing materials for different wall systems (to be ordered separately)
- sealing tape for sealing fixing points is included in scope of supply
- mounting and face plate satin finished
- mounting plate chrome-plated, face plate mirror polished
- mounting plate made of stainless steel, powder-coated in HEWI colors AS (matt white) with frame made of matt white polyamide or powder-coated in HEWI colors ER (matt dark gray pearl mica) and CV (matt black) with frame made of matt black polyamide
- face plate of the cover powder-coated in HEWI colors AS (matt white) and CV (matt black)

**HEWI Fixing material** to be ordered separately, see right

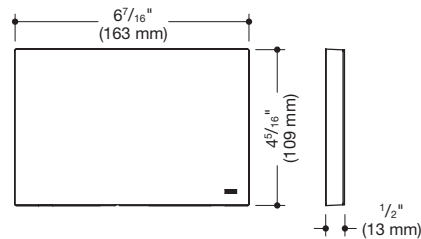


- Face plate
- Frame

900.51.002XA

900.51.00240

900.51.00260



**HEWI Cover for mounting plate**

- to cover installed mounting plates by simply hooking it in
- 6 7/16" (163 mm) wide, 4 5/16" (109 mm) high, 1/2" (13 mm) deep
- cover frame made of high-quality polyamide in HEWI colors 98 (signal white), 92 (anthracite gray) resp. signal white matt or jet black matt
- face plate made of high-quality stainless steel
- satin finished
- mirror polished
- powder-coated in HEWI colors AS (matt white) and CV (matt black)

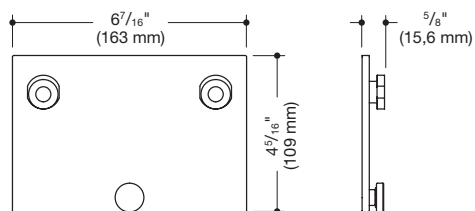
Please advise color of frame when ordering.

**HEWI Powder coating | Material combinations with synthetic material**

- ...60 AS matt white | polyamide signal white matt
- ...60 ER matt dark gray pearl mica | polyamide jet black matt
- ...60 CV matt black | polyamide jet black matt

Item Number

Dimensions / Specification



**900.51.001XA**  
**900.51.00140**  
**900.51.00160**

**HEWI Mounting plate**

- rectangular mounting plate with knurled screw
- to hold and fix the mobile folding shower seats 950.51.4...
- 6 7/16" (163 mm) wide, 4 5/16" (109 mm) high, 5/8" (15.6 mm) deep, made of stainless steel
- for mounting with non-corrosive and tested HEWI fixing materials for different wall systems (to be ordered separately)
- sealing tape for sealing fixing points is included in scope of supply
- satin finished
- chrome-plated
- powder-coated in HEWI colors DX (matt white), SC (matt dark gray pearl mica) and DC (matt black)



**HEWI Fixing material** to be ordered separately, see below



**950.51.013**

**HEWI Protection and storage bag**

- for storing the mobile folding shower seats 900.51.4...
- made of high-quality white, synthetic material sheeting
- high-quality fleece lining on the inside to protect the seat surfaces
- 30 11/16" (780 mm) high, 22 13/16" (580 mm) wide
- tear-resistant, with pull-cord for closing

**Fixing material for mobile folding shower seats to be ordered separately**

for fixing on walls made of:

**BM17.2**

concrete > C20/C25, national technical approval number: ETA-11/0493

**BM10.2**

concrete > C20/C25

**BM11.2**

autoclaved aerated concrete (> P2)

**BM12.2**

lightweight walls with rear lining made of laminated timber boards ...

**BM13.2**

lightweight walls with integrated steel plates ...

**BM18.2**

hollow concrete block, vertically perforated bricks, solid bricks ..., national technical approval number: ETA-13/1036

**HEWI Colors | Surfaces**

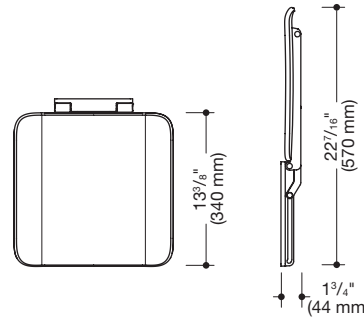
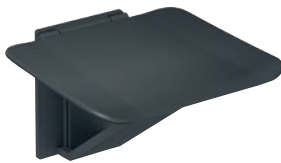
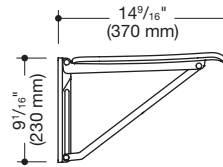
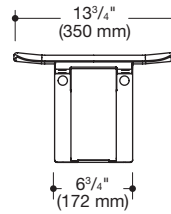
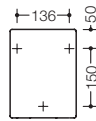
- ☐ ...60 DX matt white
- 98 92 90 XA Chr
- ...60 SC matt dark gray pearl mica
- ...60 DC matt black

Item Number

Dimensions / Specification



Drill hole



**New** 900.51B21590

**HEWI Folding shower seat**

- construction consisting of wall bracket, bar, seat bracket and seat
- slip-resistant, textured seat made of synthetic material in HEWI colors 98 (signal white), 92 (anthracite gray) and 90 (jet black)
- wall bracket and bar made of high-quality synthetic material in HEWI colors 98 (signal white), 92 (anthracite gray) and 90 (jet black), matching the seat surface
- additional wall support allows increased legroom as no floor support is necessary
- the slightly curved shape of the seat defines the sitting position and provides comfortable support
- seat can be folded up to save space
- seat depth when folded up 44 mm
- maintenance free, permanently smooth and easy moving joint
- loading capacity 330 lbs (150 kg)
- 13 3/4" (350 mm) wide, 14 9/16" (370 mm) deep and 9 1/16" (230 mm) high
- seat 13 3/4" (350 mm) wide and 13 3/8" (340 mm) deep
- for mounting with corrosion-free and tested HEWI fixing material for different wall constructions (to be ordered separately)
- sealing tape for sealing the fixing points included in delivery

Please advise color when ordering.



**Fixing material to be ordered separately**

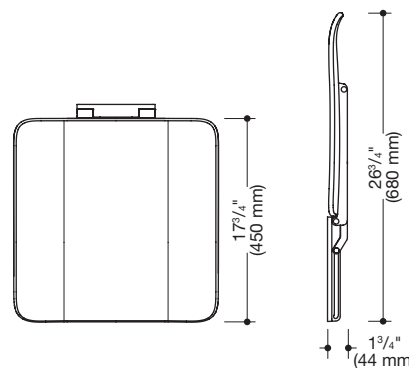
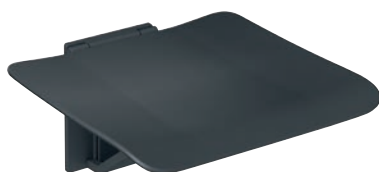
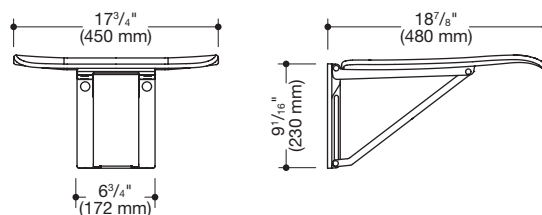
for fixing on walls made of:

- BM17.3**
- BM10.3**
- BM11.3**
- BM12.3**
- BM13.3**
- BM18.3**

- concrete > C20/C25, national technical approval number: ETA-11/0493
- concrete > C20/C25
- autoclaved aerated concrete (> P2)
- lightweight walls with rear lining made of laminated timber boards ...
- lightweight walls with integrated steel plates ...
- hollow concrete block, vertically perforated bricks, solid bricks, ..., national technical approval number: ETA-13/1036

Item Number

Dimensions / Specification



**New** 900.51B21690



**HEWI Folding shower seat**

- construction consisting of wall bracket, bar, seat bracket and seat
- slip-resistant, textured seat made of synthetic material in HEWI colors 98 (signal white), 92 (anthracite gray) and 90 (jet black)
- wall bracket and bar made of high-quality synthetic material in HEWI colors 98 (signal white), 92 (anthracite gray) and 90 (jet black), matching the seat surface
- additional wall support allows increased legroom as no floor support is necessary
- the slightly curved shape of the seat defines the sitting position and provides comfortable support
- seat can be folded up to save space
- seat depth when folded up 44 mm
- maintenance free, permanently smooth and easy moving joint
- loading capacity 330 lbs (150 kg)
- 17 3/4" (450 mm) wide, 18 7/8" (480 mm) deep and 9 1/16" (230 mm) high
- seat 17 3/4" (450 mm) wide and 17 3/4" (450 mm) deep
- for mounting with corrosion-free and tested HEWI fixing material for different wall constructions (to be ordered separately)
- sealing tape for sealing the fixing points included in delivery
- meets DIN 18040, ÖNORM B1600/1601 and SIA 500 requirements



Please advise color when ordering.

**HEWI Matt colors**

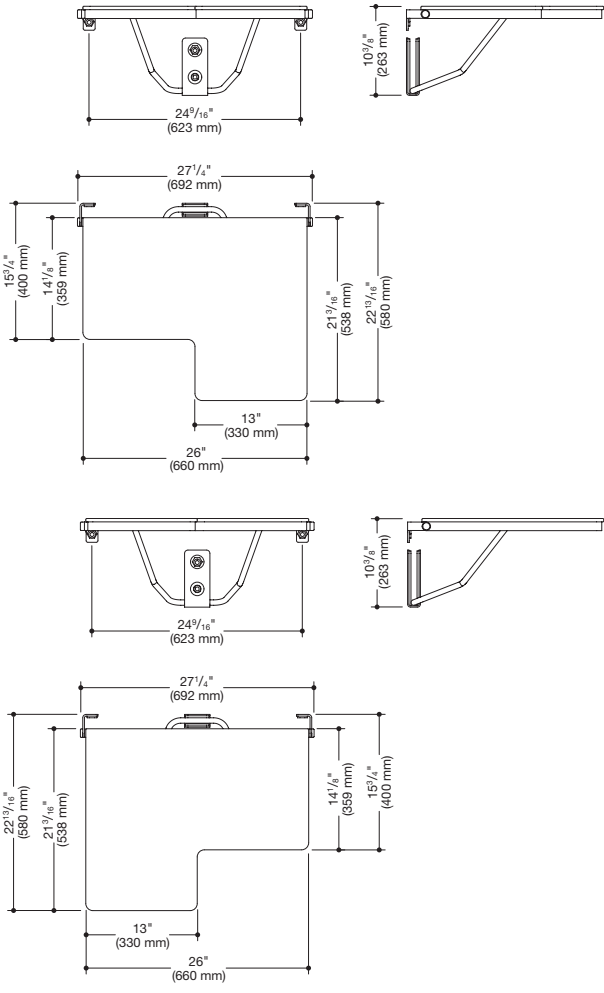


- BM17.3**
- BM10.3**
- BM11.3**
- BM12.3**
- BM13.3**
- BM18.3**

**Fixing material to be ordered separately**

for fixing on walls made of:

- concrete > C20/C25, national technical approval number: ETA-11/0493
- concrete > C20/C25
- autoclaved aerated concrete (> P2)
- lightweight walls with rear lining made of laminated timber boards ...
- lightweight walls with integrated steel plates ...
- hollow concrete block, vertically perforated bricks, solid bricks, ..., national technical approval number: ETA-13/1036



**HEWI L-shaped shower compartment seat with lift-up feature (ADA)**

- wall connection made of high-quality stainless steel with one-piece HPL seat, screwed from the underside, can be folded up
- projecting seat elem.: 13" (330 mm) wide and 15 3/4" (400 mm) deep
- narrow seat elem.: 13" (330 mm) wide and 22 13/16" (580 mm) deep
- low-maintenance brakes on shower seat allow seat surface to remain in an upright position after folding up
- surfaces enable easy cleaning and hygiene
- additional wall support with high-quality stainless steel bracket with stainless steel wall bracket
- includes fixing material for mounting to cavity walls with wood back-lining of two 2" x 12" laminate or hardwood boards connected with a 1/2" x 12" plywood board
- maximum loading capacity 450 lbs (204 kg)
- meets requirements according to 2010 ADA standards and ICC / ANSI A117.1-2017
- projecting seat element left (from users point of view)
- satin finished
- polished
- projecting seat element right (from users point of view)
- satin finished
- polished

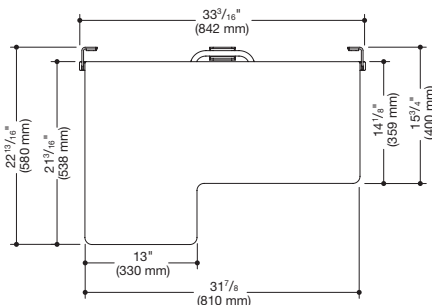
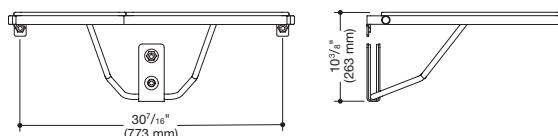
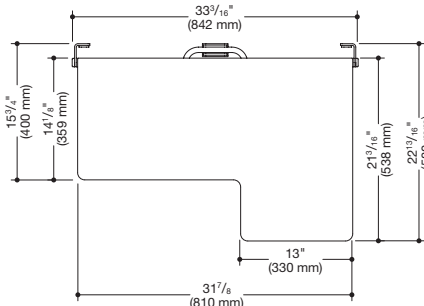
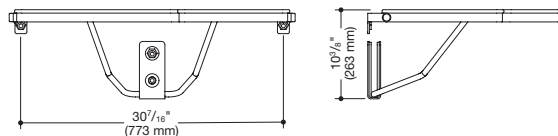
900.51.206XA  
900.51.20640

900.51.207XA  
900.51.20740

Wall connection, wall support  
 Seat

Item Number

Dimensions / Specification



**HEWI L-shaped shower compartment seat with lift-up feature (ADA)**

- wall connection made of high-quality stainless steel with one-piece HPL seat, screwed from the underside, can be folded up
- narrow seat elem.: 18 7/8" (480 mm) wide and 15 3/4" (400 mm) deep
- projecting seat elem.: 13" (330 mm) wide and 22 13/16" (580 mm) deep
- low-maintenance brakes on shower seat allow seat surface to remain in an upright position after folding up
- surfaces enable easy cleaning and hygiene
- additional wall support with high-quality stainless steel bracket with stainless steel wall bracket
- includes fixing material for mounting to cavity walls with wood back-lining of two 2" x 12" laminate or hardwood boards connected with a 1/2" x 12" plywood board
- maximum loading capacity 450 lbs (204 kg)
- meets requirements according to 2010 ADA standards and ICC / ANSI A117.1-2017
- projecting seat element left (from users point of view)
- satin finished
- polished
- projecting seat element right (from users point of view)
- satin finished
- polished

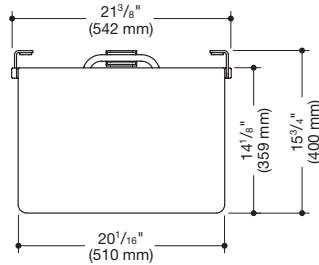
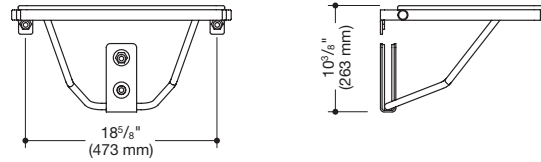
900.51.208XA  
900.51.20840

900.51.209XA  
900.51.20940

- Wall connection, wall support
- Seat

**HEWI Colors | Surfaces**

- 98
- XA Polished
-



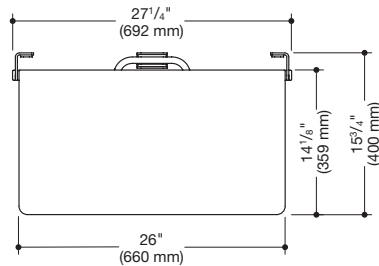
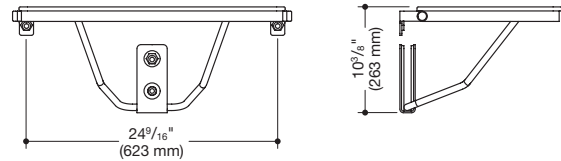
**HEWI Rectangular shower compartment seat with lift-up feature (ADA)**

- wall connection made of high-quality stainless steel with one-piece HPL seat, screwed from the underside, can be folded up
- low-maintenance brakes on shower seat allow seat surface to remain in an upright position after folding up
- surfaces enable easy cleaning and hygiene
- additional wall support with high-quality stainless steel bracket with stainless steel wall bracket
- 20 1/16" (510 mm) wide and 15 3/4" (400 mm) deep
- includes fixing material for mounting to cavity walls with wood back-lining of two 2" x 12" laminate or hardwood boards connected with a 1/2" x 12" plywood board
- maximum loading capacity 450 lbs (204 kg)
- meets requirements according to 2010 ADA standards and ICC / ANSI A117.1-2017

- Wall connection, wall support
- Seat

**900.51.210XA**  
**900.51.21040**

- satin finished
- polished



**HEWI Rectangular shower compartment seat with lift-up feature (ADA)**

- do., 26" (660 mm) wide and 15 3/4" (400 mm) deep

- Wall connection, wall support
- Seat

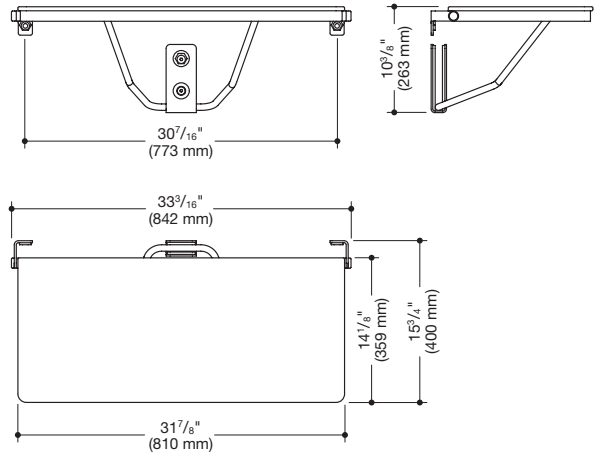
**900.51.211XA**  
**900.51.21140**

- satin finished
- polished



Item Number

Dimensions / Specification

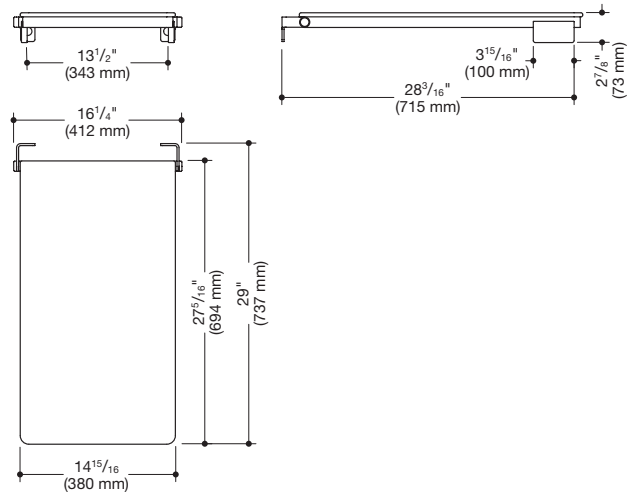


**HEWI Rectangular shower compartment seat with lift-up feature (ADA)**

- do., 33 3/16" (842 mm) wide and 15 3/4" (400 mm) deep
- satin finished
- polished

- Wall connection, wall support
- Seat

900.51.212XA  
900.51.21240



**HEWI Bathtub seat with lift-up feature (ADA)**

- wall connection made of high-quality stainless steel with one-piece HPL seat, screwed from the underside, can be folded up
- low-maintenance brakes on shower seat allow seat surface to remain in an upright position after folding up
- surfaces enable easy cleaning and hygiene
- 14 15/16" (380 mm) wide and 29" (737 mm) deep
- includes fixing material for mounting to cavity walls with wood back-lining of two 2" x 12" laminate or hardwood boards connected with a 1/2" x 12" plywood board
- maximum loading capacity 450 lbs (204 kg)
- meets requirements according to 2010 ADA standards and ICC / ANSI A117.1-2017

- Wall connection, wall support
- Seat

900.51.213XA  
900.51.21340

- satin finished
- polished

**HEWI Colors | Surfaces**

- 98
- XA
- Polished



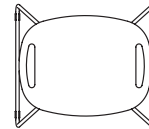
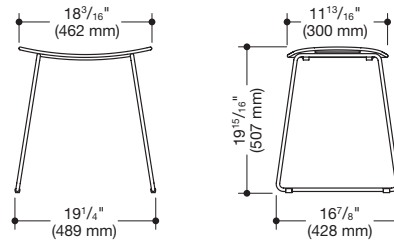
# Re-seat family

The new Re-seat family from HEWI consists of three stools and two bath chairs. The armrests and the seats are made of recycled polypropylene and recycled polyamide. In the natural colors forest green and dark granite gray, it offers an exciting and lively look and feel.



Item Number

Dimensions / Specification



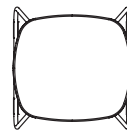
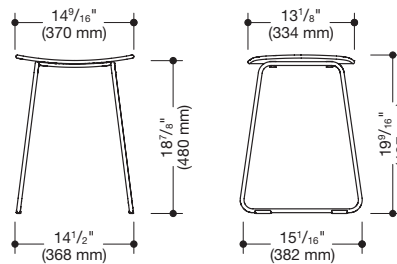
**New** 950.51.40060

**HEWI Shower stool**

- mobile, light stool from the Re-seat family
- generously sized, pleasantly warm seat made of high-quality PIR synthetic material (Post-Industrial-Recycling), slightly textured
- with integrated handle recesses for easy sitting down and standing
- loading capacity 330 lbs (150 kg)
- 19 15/16" (507 mm) high, 19 1/4" (489 mm) wide, 16 7/8" (428 mm) deep, weight 11.4 lbs (5.2 kg)
- seat 18 3/16" (462 mm) wide and 11 13/16" (300 mm) deep, seat height: 18 15/16" (482 mm)
- seat made of high-quality PIR synthetic material (Post-Industrial-Recycling) in HEWI colors JB (forest green) or JC (dark granite gray) with powder-coated frame in matt black
- with anti-slip foot caps



■ Frame  
■ Seat



**New** 950.51.40160

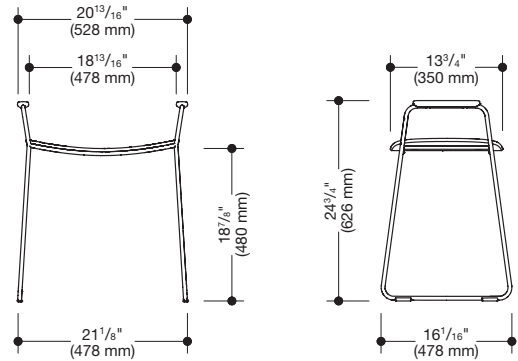
**HEWI Shower stool**

- mobile, light stool from the Re-seat family
- pleasantly warm seat made of high-quality PIR synthetic material (Post-Industrial-Recycling), slightly textured
- loading capacity 330 lbs (150 kg)
- 14 9/16" (370 mm) wide, 19 9/16" (497 mm) high, 15 1/16" (382 mm) deep, weight 9.7 lbs (4.4 kg)
- seat 14 9/16" (370 mm) wide and 13 1/8" (334 mm) deep, seat height: 18 7/8" (480 mm)
- seat made of high-quality PIR synthetic material (Post-Industrial-Recycling) in HEWI colors JB (forest green) or JC (dark granite gray) with powder-coated frame in matt black
- with anti-slip foot caps

■ Frame  
■ Seat

Item Number

Dimensions / Specification

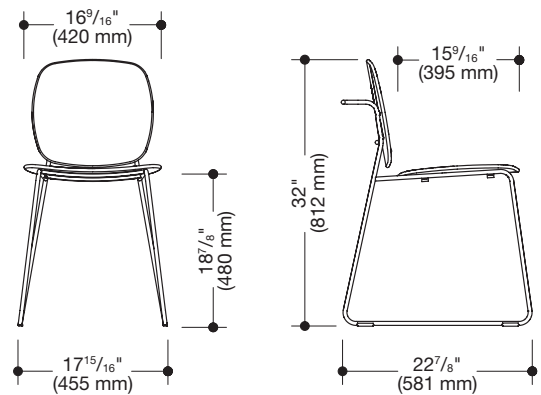


**New** 950.51.40260

**HEWI Shower stool**

- mobile, light stool from the Re-seat family
- with integrated handle recesses for easy sitting down and standing up
- spacious, pleasantly warm seat made of high-quality PIR synthetic material (Post-Industrial-Recycling), slightly textured
- loading capacity 330 lbs (150 kg)
- 21 1/8" (536 mm) wide, 24 5/8" (626 mm) high, 16 1/16" (408 mm) deep, weight 15 lbs (6.8 kg)
- seat 18 13/16" (478 mm) wide and 13 3/4" (350 mm) deep, seat height: 18 7/8" (480 mm)
- seat and armpads made of high-quality PIR synthetic material (Post-Industrial-Recycling) in HEWI colors JB (forest green) or JC (dark granite gray) with powder-coated frame in matt black
- with anti-slip foot caps

- Frame
- Seat



**New** 950.51.41060

**HEWI Bath chair**

- mobile, multipurpose stool with towel rail Re-seat family, suitable for the showers
- pleasantly warm seat made of high-quality PIR synthetic material (Post-Industrial-Recycling), slightly textured
- loading capacity 330 lbs (150 kg)
- 17 15/16" (455 mm) wide, 31 15/16" (812 mm) high and 22 7/8" (581 mm) deep, weight 16.7 lbs (7.6 kg)
- seat 16 9/16" (420 mm) wide and 15 9/16" (395 mm) deep, seat height: 18 7/8" (480 mm)
- seat and backrest made of high-quality PIR synthetic material (Post-Industrial-Recycling) in HEWI colors JB (forest green) or JC (dark granite gray) with powder-coated frame in matt black
- with anti-slip foot caps

- Frame
- Seat

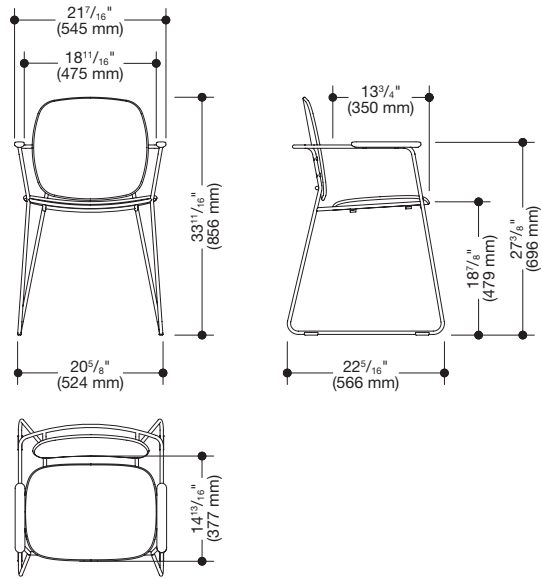
**HEWI Powder coating | Material combinations with synthetic material**

- ...60 JB matt black | forest green synthetic material
- ...60 JC matt black | dark granite gray synthetic material



**New** 950.51.41160

- Frame
- Seat



**HEWI Bath chair**

- mobile, multipurpose stool with towel rail and armrests from the Re-seat family, suitable for the showers
- spacious, pleasantly warm seat and backrest made of high-quality PIR synthetic material (Post-Industrial-Recycling), slightly textured
- loading capacity 330 lbs (150 kg)
- $21\frac{7}{16}$ " (545 mm) wide,  $33\frac{11}{16}$ " (856 mm) high and  $22\frac{5}{16}$ " (566 mm) deep, weight 21.8 lbs (9.9 kg)
- seat  $18\frac{11}{16}$ " (475 mm) wide and  $13\frac{3}{4}$ " (350 mm) deep, seat height:  $18\frac{7}{8}$ " (479 mm)
- seat, backrest and armpads made of high-quality PIR synthetic material (Post-Industrial-Recycling) in HEWI colors JB (forest green) or JC (dark granite gray) with powder-coated frame in matt black
- with anti-slip foot caps

**HEWI Powder coating | Material combinations with synthetic material**

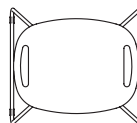
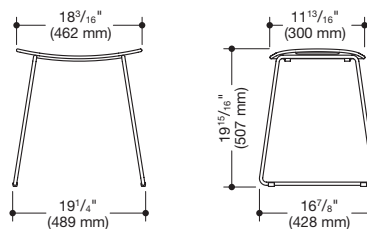
- **...60 JB** matt black | forest green synthetic material
- **...60 JC** matt black | dark granite gray synthetic material
- **...60 CV** matt black | black synthetic material

Item Number

Dimensions / Specification



950.51.300XA



**HEWI Shower stool**

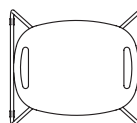
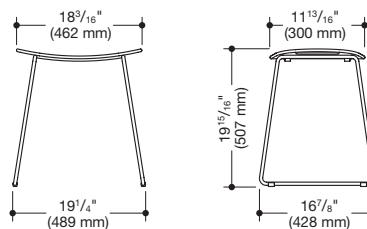
- spacious, pleasantly warm seat made of high-quality synthetic material, slightly textured
- seat in HEWI colors 98 (signal white) and 92 (anthracite gray)
- with integrated handle recesses for easy sitting down and standing
- weight capacity up to 330 lbs (150 kg)
- 19 15/16" (507 mm) high, 19 1/4" (489 mm) wide, 16 7/8" (428 mm) deep, weight 11.4 lbs (5.2 kg)
- seat 18 3/16" (462 mm) wide and 11 13/16" (300 mm) deep
- frame made of stainless steel, satin finished equipped with anti-slip foot caps

Please advise color of seat when ordering.

- ☑ Frame
- ☑ ■ Seat



950.51.30098  
950.51.30092  
950.51.30090



**HEWI Shower stool**

- spacious, pleasantly warm seat made of high-quality synthetic material, slightly textured
- with integrated handle recesses for easy sitting down and standing
- weight capacity 330 lbs (150 kg)
- 19 15/16" (507 mm) high, 19 1/4" (489 mm) wide, 16 7/8" (428 mm) deep, weight 11.4 lbs (5.2 kg)
- seat 18 3/16" (462 mm) wide and 11 13/16" (300 mm) deep
- metal frame high-quality chrome coated equipped with anti-slip foot caps

- seat in HEWI color 98 (signal white)
- seat in HEWI color 92 (anthracite gray)
- seat in HEWI color 90 (jet black)



**New** 950.51.30060

- Frame
- ☑ ■ ■ ■ Seat

- frame powder-coated in HEWI color CV (matt black), matt black seat

**HEWI Colors | Surfaces**

- ☑ ■ ■ ■ 98 92 90
- ☑ ■ ■ ■ XA Chr Polished

Item Number

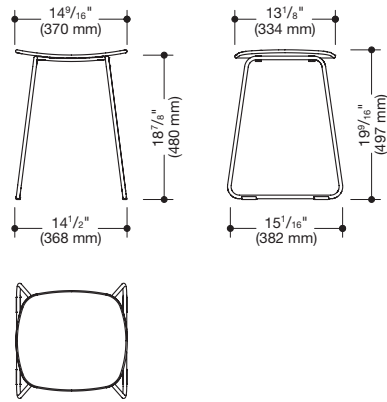
Dimensions / Specification



■ ■ Frame  
 □ ■ ■ Seat

950.51.30140

**New** 950.51.30160



**HEWI Shower stool**

- mobile, light, showerproof stool
- pleasantly warm seat made of high-quality synthetic material, slightly textured
- loading capacity 330 lbs (150 kg)
- 14 9/16" (370 mm) wide, 19 9/16" (497 mm) high, 15 1/16" (382 mm) deep, weight 9.7 lbs (4.4 kg)
- seat 14 9/16" (370 mm) wide and 13 1/8" (334 mm) deep, seat height: 18 7/8" (480 mm)
- with anti-slip foot caps

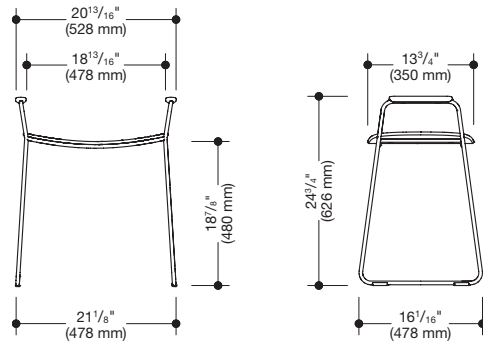
- frame high-quality chrome-plated, seat in HEWI colors 90 (jet black), 92 (anthracite gray) and 98 (signal white), please specify when ordering
- frame powder-coated in HEWI color CV (matt black), matt black seat



■ ■ Frame  
 □ ■ ■ Seat

950.51.30240

**New** 950.51.30260



**HEWI Shower stool**

- mobile, light, showerproof stool
- with lateral support handles for easy sitting down and standing up
- pleasantly warm seat made of high-quality synthetic material, slightly textured
- loading capacity 330 lbs (150 kg)
- 21 1/8" (536 mm) wide, 24 5/8" (626 mm) high, 16 1/16" (408 mm) deep, weight 15 lbs (6.8 kg)
- seat 18 13/16" (478 mm) wide and 13 3/4" (350 mm) deep, seat height: 18 7/8" (480 mm)
- with anti-slip foot caps

- frame high-quality chrome-plated, seat in HEWI colors 90 (jet black), 92 (anthracite gray) and 98 (signal white), please specify when ordering
- frame powder-coated in HEWI color CV (matt black), matt black seat

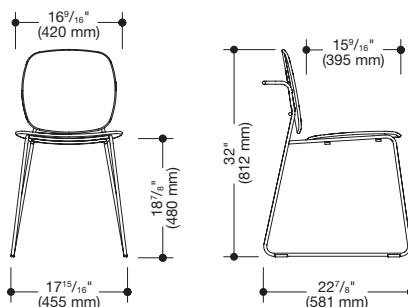
**HEWI Powder coating | Material combinations with synthetic material**

■ ■ ...60 CV matt black | black synthetic material



Item Number

Dimensions / Specification



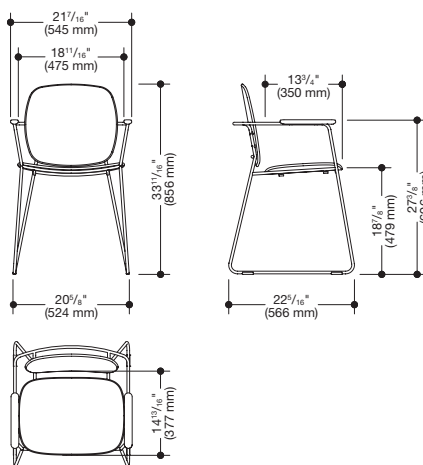
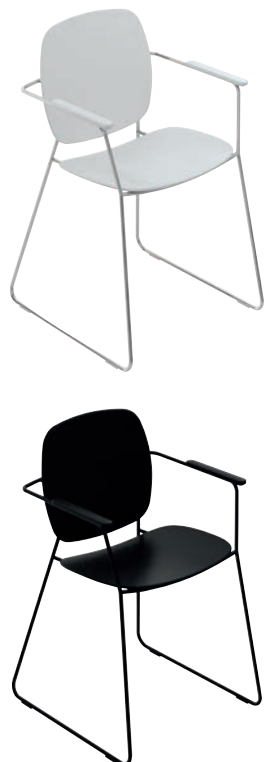
**HEWI Bath chair**

- mobile, universally usable chair with towel rail
- pleasantly warm seat and backrest made of high-quality synthetic material, slightly textured
- loading capacity 330 lbs (150 kg)
- 17 15/16" (455 mm) wide, 31 15/16" (812 mm) high and 22 7/8" (581 mm) deep, weight 16.7 lbs (7.6 kg)
- seat 16 9/16" (420 mm) wide and 15 9/16" (395 mm) deep, seat height: 18 7/8" (480 mm)
- with anti-slip foot caps
- frame high-quality chrome-plated, seat and backrest in HEWI colors 90 (jet black), 92 (anthracite gray) and 98 (signal white), please specify when ordering
- frame powder-coated in HEWI color CV (matt black) with matt black seat and backrest

950.51.31040

**New** 950.51.31060

■ Frame  
 ■ Seat



**HEWI Bath chair**

- mobile, universally usable chair with towel rail and armrests
- generous, pleasantly warm seat and backrest made of high-quality synthetic material, slightly textured
- loading capacity 330 lbs (150 kg)
- 21 7/16" (545 mm) wide, 33 11/16" (856 mm) high and 22 5/16" (566 mm) deep, weight 21.8 lbs (9.9 kg)
- seat 18 11/16" (475 mm) wide and 13 3/4" (350 mm) deep, seat height: 18 7/8" (479 mm)
- with anti-slip foot caps
- frame high-quality chrome-plated, seat, backrest and armrests in HEWI colors 90 (jet black), 92 (anthracite gray) and 98 (signal white), please specify when ordering
- frame powder-coated in HEWI color CV (matt black) with matt black seat, backrest and armrests

950.51.31140

**New** 950.51.31160

■ Frame  
 ■ Seat

**HEWI Colours | Surfaces**

98 92 90 Chr XA

System 900  
Spare parts



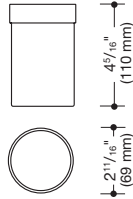


Item Number

Dimensions / Specification



800.04.010



**HEWI Tumbler suitable for holder 162.04.110...**

- cylindrical tumbler with flat bottom
- $\varnothing$  2 11/16" (69 mm), 4 5/16" (110 mm) high
- made of high-quality polyamide in 16 HEWI colors

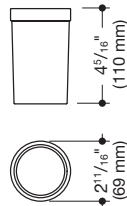
800.04B010

**HEWI Tumbler suitable for holder 900.04.00060**

- do., made of high-quality matt polyamide in HEWI colors 98 (signal white) and 90 (jet black)

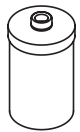


800.04.E01

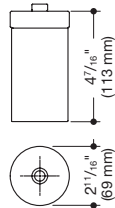


**HEWI Tumbler  
for tumbler with holder 900.04....**

- $\varnothing$  2 11/16" (69 mm), 4 5/16" (110 mm) high
- made of high-quality, satin-finished crystal glass



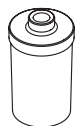
800.06.E02  
67738



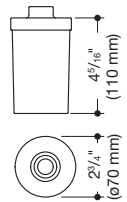
**HEWI Container  
for product sets 900.06.001XA and 900.06.00140**

- $\varnothing$  2 11/16" (69 mm), 4 7/16" (113 mm) high
- made of high-quality polyamide in 16 HEWI colors
- made of high-quality matt polyamide in HEWI colors 98 (signal white) and 90 (jet black)

Please advise color when ordering.



815.06.E01



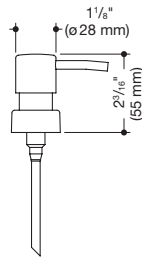
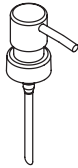
**HEWI Glass container**

**for soap dispenser with holder 900.06.000XA and 900.06.00040**

- made of high-quality, satin-finished crystal glass

Item Number

Dimensions / Specification



**HEWI Pump head**

- incl. riser tube
- satin finished

66988  
66989

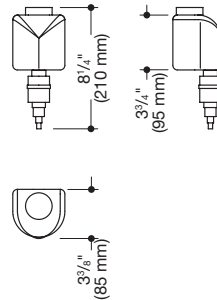
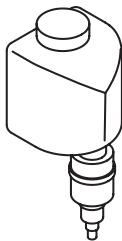
**for soap dispenser 900.06.000XA**  
**for soap dispenser 900.06.001XA**

**HEWI Pump head**

- incl. riser tube
- high-quality chrome-plated

63907  
63910

**for soap dispenser 900.06.00040**  
**for soap dispenser 900.06.00140**



900.06.E02

**HEWI Soap tank and soap pump**  
**for SENSORIC soap dispenser 900**

- incl. soap pump
- made of synthetic material, capacity 16.7 fl oz (500 ml)

900.06.E03

**HEWI Disinfectant tank and spray pump**  
**for SENSORIC disinfectant dispenser 900**

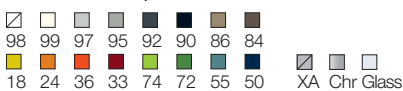
- incl. spray pump
- made of synthetic material, capacity 16.7 fl oz (500 ml)

900.06.E04

**HEWI Soap tank and foam pump**  
**for SENSORIC foam soap dispenser 900**

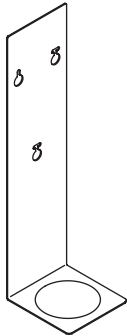
- incl. foam pump
- made of synthetic material, capacity 16.7 fl oz (500 ml)

**16 HEWI Colors | Surfaces**

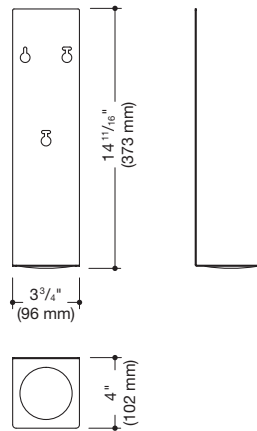


Item Number

Dimensions / Specification



900.06.E0160



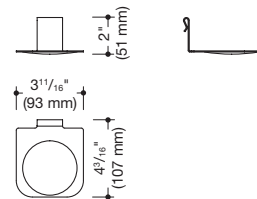
**HEWI Drip tray**

**for disinfectant dispenser column 900.06.013..., disinfectant dispenser 900.06.008..., soap dispenser 900.06.005... and foam soap dispenser 900.06.007...**

- 3 3/4" (96 mm) wide, 14 11/16" (373 mm) high and 4" (102 mm) deep
- fixed in place using the dispenser fixing points
- made of high-quality stainless steel, powder-coated in HEWI colors DX (matt white), DC (matt black) and SC (matt dark gray pearl mica)



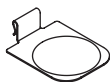
900.06.E0660



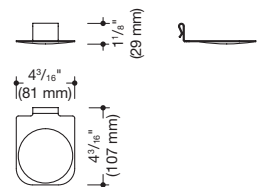
**HEWI Drip tray**

**for disinfectant or soap dispensers 900.06.00260, 900.06.00261, 900.06.002XA and disinfectant or soap dispenser columns 900.06.01260 and 900.06.012XA**

- for collecting dripping disinfectant and soap
- to hang in the dispenser
- made of metal, powder-coated in HEWI colors DX (matt white), DC (matt black) and SC (matt dark gray pearl mica)
- 3 11/16" (93 mm) wide, 2" (51 mm) high and 4 3/16" (107 mm) deep



900.06.E0560



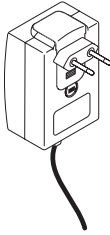
**HEWI Drip tray**

**for HEWI disinfectant or soap dispensers 900.06.00360, 900.06.00361 and 900.06.003XA**

- for collecting dripping disinfectant and soap
- to hang in the dispenser
- made of metal, powder-coated in HEWI colors DX (matt white), DC (matt black) and SC (matt dark gray pearl mica)
- 3 3/16" (81 mm) wide, 1 1/8" (29 mm) high and 4 3/16" (107 mm) deep

Item Number

Dimensions / Specification



**950.06.E01**

**HEWI Power supply  
for electronic paper roll dispenser 900.06.010...**

- 100–240 V, 50/60 Hz, 0,5 A
- 1x plug-type C (CEE 7/16 Euro plug) for Europe, except UK and Ireland
- protection class 2
- cable length approx. 1700 mm

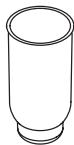


**921050**  
**921051**  
**921052**

**HEWI Brush head  
for toilet brush unit 805.20.200, 162.20.100..., 100.20.100...,  
800.20.100..., 800.20.200..., 815.20..., 900.20..., 900Q20...  
for toilet brush 805.20.020, 100.20.010..., 800.20.010... and  
59405**

- for easy replacement on toilet brush by bayonet fixing
- brush head made of black polyamide with bristles in anthracite gray
- ø 3" (76 mm)

packing unit 1 pc  
packing unit 5 pcs  
packing unit 25 pcs



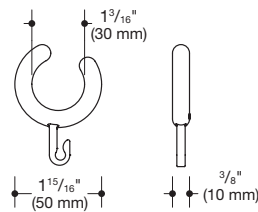
**66823**

**HEWI Insert  
for toilet brush unit 900.20.000...**

- made of synthetic material



**921056**  
**921060**



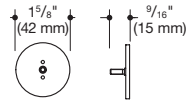
**HEWI Curtain rings**

- for hanging curtains to curtain rails ø 15/16" (24 mm) and 1" (25 mm)
- outside ø 1 15/16" (50 mm), inside ø 1 3/16" (30 mm), 3/8" (10 mm) thick
- made of high-quality POM, packing unit 5 pcs

· white  
· black

Item Number

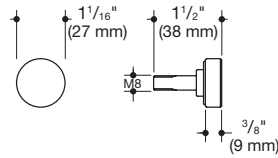
Dimensions / Specification



**HEWI Masking cap  
for axle for swing-up grab bars system 900, Design A**

- ø 1 5/8" (42 mm)
- made of high-quality stainless steel
- satin finished
- chrome-plated
- powder-coated

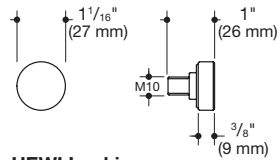
**67363**  
**67366**  
**67977**



**HEWI Locking screw  
for mobile swing-up grab bars system 900, Design A**

- made of high-quality stainless steel
- satin finished
- chrome-plated
- powder-coated

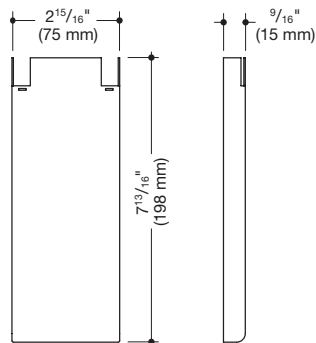
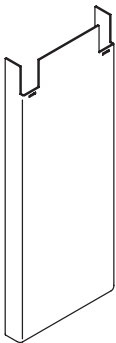
**67364**  
**67367**  
**67978**



**HEWI Locking screw  
for swing-up grab bars system 900, Design A**

- made of high-quality stainless steel
- satin finished
- chrome-plated
- powder-coated

**67365**  
**67368**  
**67979**



**HEWI Cover  
for swing-up grab bars system 900, Design B**

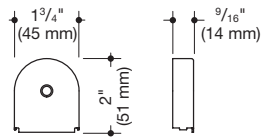
- made of high-quality stainless steel
- satin finished
- chrome-plated
- powder-coated

**67369**  
**67370**  
**68001**



Item Number

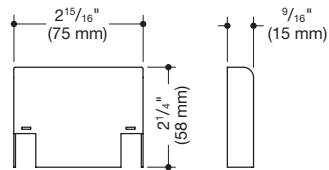
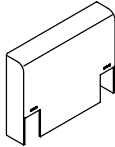
Dimensions / Specification



**HEWI Joint cap**  
for swing-up grab bars system 900, Design B

- made of high-quality stainless steel
- satin finished
- chrome-plated
- powder-coated

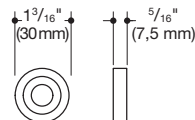
67371  
67372  
68002



**HEWI Cover**  
for swing-up grab bars system 900, Design B

- made of high-quality stainless steel
- satin finished
- chrome-plated
- powder-coated

67373  
67374  
68008



**HEWI Stop element**  
for swing-up grab bars Duo system 900, Design B

- made of high-quality stainless steel

67378

**HEWI Surfaces**

- ☑    ...60 DX matt white
- XA Chr    ...60 SC matt dark gray pearl mica
- ...60 DC matt black

Item Number

Dimensions / Specification



66758  
66759  
67971

**HEWI Rose cap  
for rails system 900**

- $\varnothing$  2 5/8" (67 mm), made of stainless steel
- satin finished
- chrome-plated
- powder-coated



66760  
66761  
67970

**HEWI Rose cap  
for shower curtain rails and ceiling supports system 900**

- $\varnothing$  2 5/8" (67 mm), made of stainless steel
- satin finished
- chrome-plated
- powder-coated



66764  
66765  
67973

**HEWI Rose cap with hole  
for rails system 900 with  $\varnothing$  1 1/4" (32 mm)**

- $\varnothing$  2 5/8" (67 mm), made of stainless steel
- rose fixing on corner support, with hole
- satin finished
- chrome-plated
- powder-coated
- rose fixing on middle support, with hole
- satin finished
- chrome-plated
- powder-coated



66779  
71176  
71177

**HEWI Tight round plate with bolt circle**

- for rail systems with bolt circle rose  $\varnothing$  2 3/4" (70 mm)
- for additional sealing of the drilling points
- sealing for tile spacers and tile offset
- packing unit 10 pcs
- packing unit 50 pcs
- packing unit 100 pcs



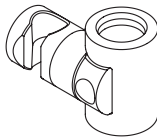
510640  
71830  
71831

**HEWI Compensating washer for offset tiles  
for rails system 900**

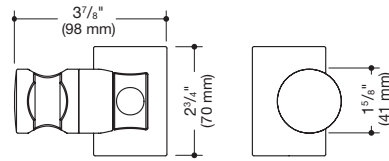
- $\varnothing$  2 11/16" (68 mm), made of stainless steel
- 3/8" (10 mm) thick
- satin finished
- chrome-plated
- powder-coated

Item Number

Dimensions / Specification



**66771**



**HEWI Shower head holder**

**for rails with shower head holder system 900 ø 1 1/4" (32 mm)**

- suitable for various manufacturers' shower heads
- shower head holder can be tilted continuously and, after pressing a large pushbutton, its height can be adjusted
- conical adapter on shower head holder facilitates accommodation of handspray
- made of high-quality matt polyamide in HEWI colors 98 (signal white) and 92 (anthracite gray)

Please advise color when ordering.



**65747**

**HEWI Eccentric washer**

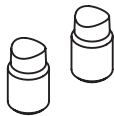
- for mobile folding shower seats system 900
- packing unit 2 pcs



**65966**

**HEWI Eccentric washer**

- for folding shower seats system 900
- packing unit 2 pcs



**66644**

**HEWI Brake unit**

- for hinged and removable hanging seats system 900



**66863**  
**67734**

**HEWI Locking screw**

- for mobile folding shower seats system 900
- made of high-quality stainless steel
- satin finished
- powder-coated



**66864**  
**66866**  
**67723**

**HEWI Cap**

- for axle of folding shower seats system 900
- ø 1 9/16" (40 mm), made of high-quality stainless steel
- satin finished
- chrome-plated
- powder-coated



**66865**  
**66867**  
**67724**

**HEWI Cap**

- for axle of folding shower seats system 900
- ø 1 9/16" (40 mm), made of high-quality stainless steel
- satin finished
- chrome-plated
- powder-coated

**HEWI Colors | Surfaces**

- ☐ ■    ☐ ■    ☐ ■ ...60 DX matt white
- 98 92    XA Chr    ■ ...60 SC matt dark gray pearl mica
- ...60 DC matt black





# be iconic. be colorful.



## PRODUCT CHARACTERISTICS

- Range 477/801 is the classic product in a barrierfree sanitary room, which has been relaunched with exciting color combinations
- Range 477/801 brings emotion and color to architecture
- High product range depth enables precise solutions
- Range 477/801 comprises solutions for special application areas
- Range 477/801 with anti-microbial surface is available for areas with the highest-possible hygiene requirements

## RECOMMENDED APPLICATION AREAS

Professional Care, Education



# Range 477/801 | ICONIC

## DESIGN

HEWI, Bad Arolsen

## MATERIAL AND SURFACES

Polyamide in selected color combinations with high-gloss or matt surface.

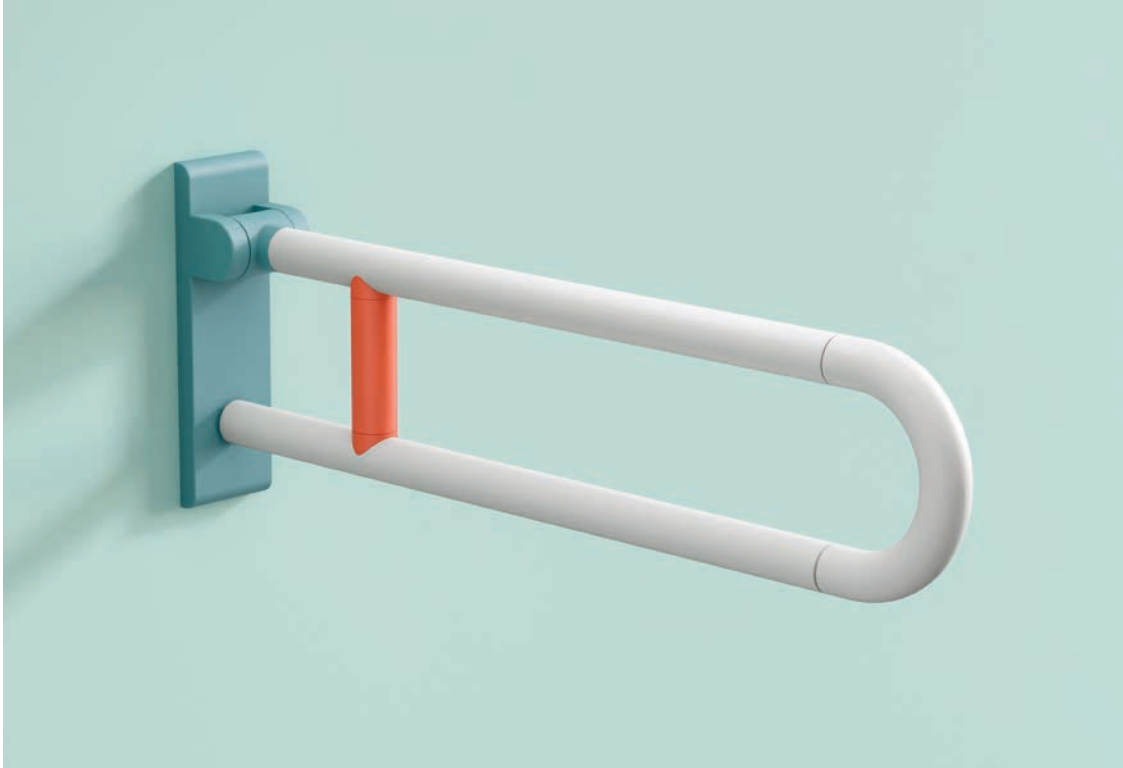
## ACCESSORIES

Color combinations	126 – 131
Product characteristics	126 – 131
Product range	132 – 135
Basin area	138 – 157
Toilet area	160 – 164
Shower and bath area	153 – 157

## ACCESSIBILITY

Product range	133 – 135
Support	166 – 169
Grip	170 – 177
Sit	178 – 180
Additional products	181 – 183
Spare parts	184 – 187





Color has always been firmly anchored in HEWI's DNA and naturally color is fundamental when it comes to adapting a design icon that is almost perfect in terms of form and function. Color is an essential element to compliment current trends and helps increase the opportunities for design in planning. HEWI's color combination in the Care range, creates a pleasing atmosphere in any room because of the interplay of the various components and their color accents. On the one hand gentle and calming, on the other rejuvenating – the perfect balance.



When something is highlighted with a color, that accent can signal its use and encourages intuitive use. This is a vitally important aspect when people have for example, restricted vision and color-accentuated products can provide better orientation.

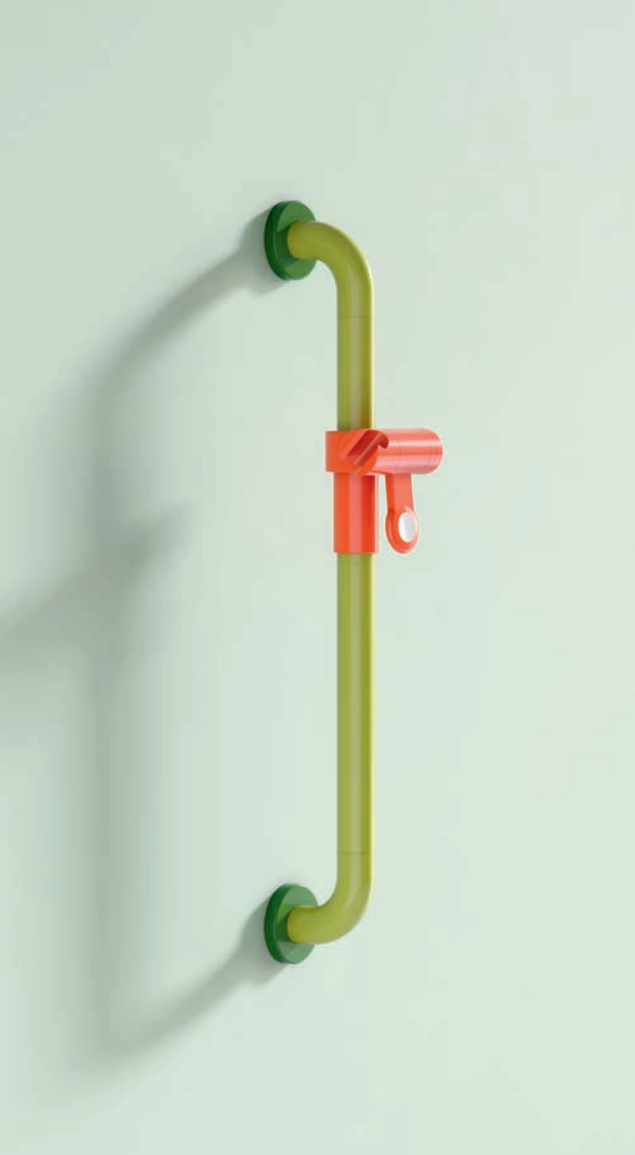


# Color combinations

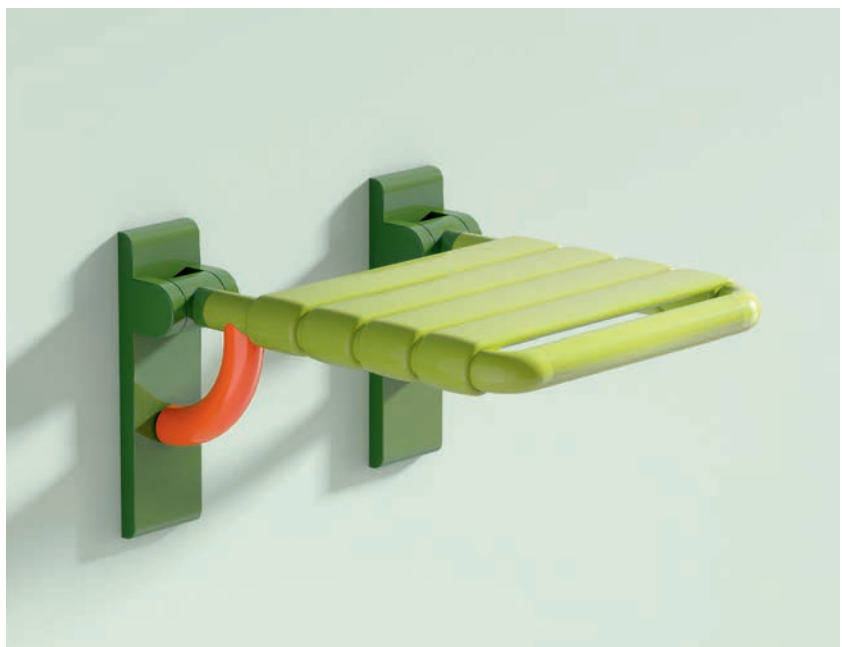
## ICONIC

Key to the design of the HEWI 477/801 range for healthcare buildings was the concept of "healing architecture". This is the idea that the way healthcare buildings are designed has an influence on the physical and mental well-being of patients, as well as family members and staff. "Healing architecture" includes the design of walls and floors, the incidence of light, the acoustics, the room shape and the furniture.





Light, bright green tones give a feeling of relaxation and harmony. Being close to nature communicates a feeling of liveliness and security, and in combination with the warm coral tone, brings a feeling of harmony. The targeted use of color contrasts helps orientation and encourages intuitive use. Because the colorful functional element of the shower holder stands out, its function is both highlighted and its function is illustrated.



Seating and holding fixtures in the shower make everyday life easier for both children and their carers. HEWI offers accessible system solutions for sitting, supporting and gripping, that perfectly fit into any children's bathroom thanks to their minimalistic and friendly design.

# Color combinations

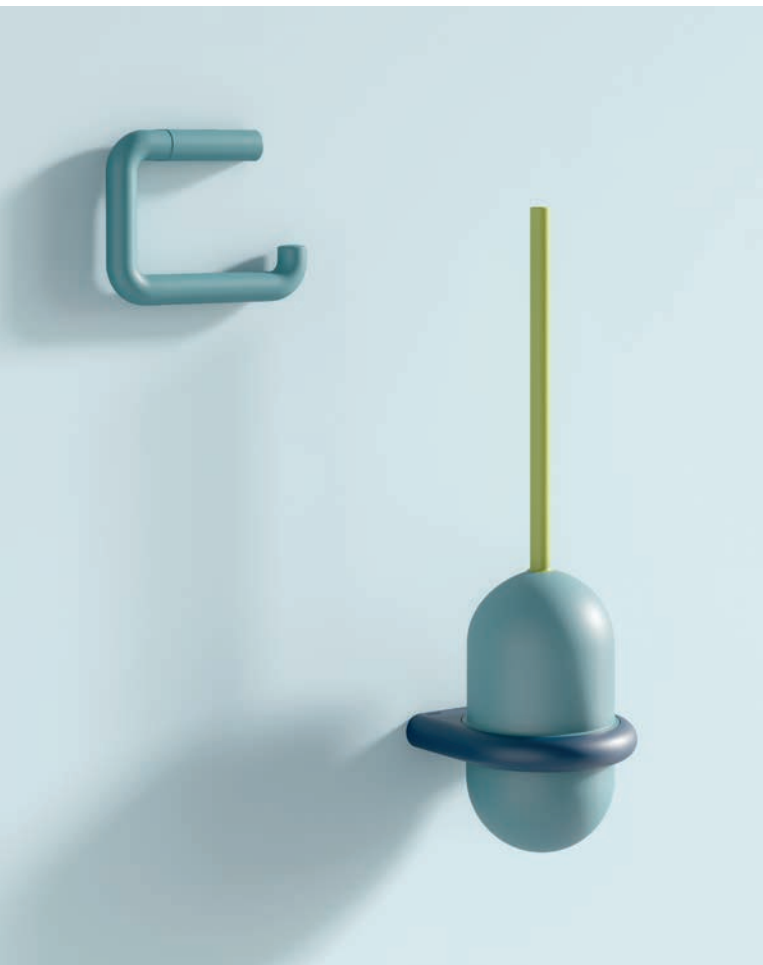
## ICONIC

For kindergartens, day care centres and children's hospitals, HEWI offers two specifically tailored color combinations. This new edition of a classic design is available with natural shades of Apple Green, May Green, Coral as well as Aqua Blue, Steel Blue and Apple Green, which gives an appealing feel to the environment which children perceive as warm and inviting.





Consistent design right down to the last detail. The clothes hooks from HEWI create an inviting, playful, feel-good atmosphere in matching colors to the sanitary solutions of Range 477/801.

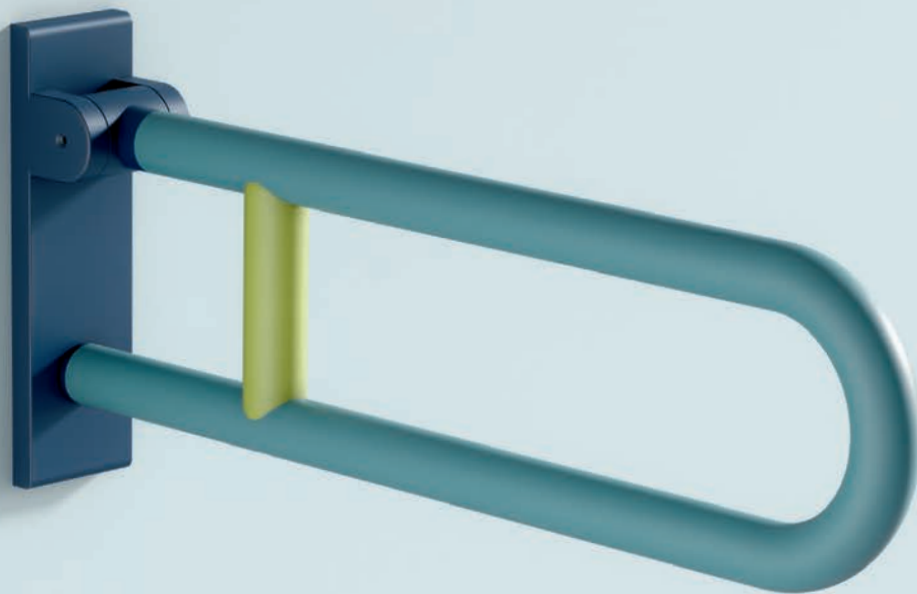


The matt edition of the 477/801 range, offers another design alternative. The matt finish gives the sanitary room in kindergartens and children's hospitals a homely atmosphere that promotes positive learning. Outstanding aesthetics and unlimited functionality are by no means mutually exclusive. The velvety finish of the matt edition is achieved through a special finishing process resulting in a unique design in premium quality made in Germany.

# Color combinations

## ICONIC

Especially with regard to children's independence, child-friendly furnishings in sanitary areas play an important role. A consistent, coordinated color concept not only has a friendly effect and gives to a sense of well-being, it also makes it easier for children to find their way around.





**Holder, small | Tumbler**

477.00...100 page 138  
477.04...020 page 138



**Soap dish, small**

477.02...100 page 139



**Soap dish, large**

477.02...200 page 139



**Mirror clip**

477.01...100 page 151



**Shelf**

477.03...100 page 151



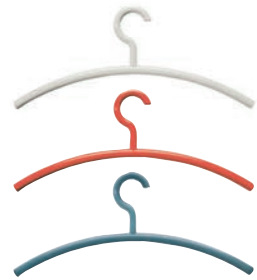
**Storage dish**

477.03...300 page 151



**Adjustable mirror | with lighting**

801.01...100 page 152  
801.01...400 page 152



**Coat hanger set**

570.99...003 page 182



**Bath towel rail | Grab bar**

477.30...100 | ...200 | ...300 page 153  
477.31...100 | ...200 page 153



**Single hook set | Double hook set**

477.99...001 | ø 50 page 154  
477.99...004 | ø 50 page 155



**Hook set | Double hook set**

801.99...001 | ø 40 page 156  
801.99...002 | ø 40 page 156



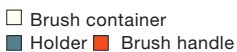
**Triple hook**

477.90...050 page 156



**Toilet brush unit**

477.20...101 page 160



**Toilet roll holder**

477.21...100 page 161



**Hygiene bag dispenser**

477.06...750 page 161



- 3 HEWI COLORS  
 99 (pure white)  
 36 (coral)  
 55 (aqua blue)



**Disinfectant/soap dispenser**  
 477.06...10599 page 141

- Basic body  
 Lever



**Disinfectant/soap dispenser**  
 477.06...10299 | HEWI SENSORIC p. 142  
 477.06...10399 | HEWI SENSORIC p. 142  
 477.06...10499 | HEWI SENSORIC p. 142

- Basic body  
 Frame element



**Soap dispenser, manual**  
 477.06...10199 page 143

- Basic body, lever  
 Frame element



**Paper towel dispenser**  
 477.06...60199 page 143

- Basic body  
 Frame element



**Large toilet roll holder**  
 477.21...60099 page 162

- Basic body  
 Frame element



**Hygiene waste bin | combination**  
 477.05...20499 page 163  
 477.05...20599 page 163

- Basic body, lid  
 Frame element



**Hygiene waste bin | combination**  
 477.05...10199 page 164  
 477.05...10299 page 164

- Basic body  
 Lid



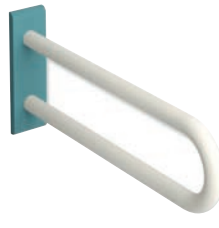
**Waste paper bin | Waste bin**  
 477.05...20...99 page 144, 145

- Basic body  
 Frame element



**Swing-up grab bar**  
 801.50...00.. | 600 mm p. 167, 168  
 801.50...10.. | 700 mm p. 167, 168  
 801.50...20.. | 850 mm p. 167, 168

- Rail  
 Wall plate  Support



**Stationary support rail**  
 801.50...300.. | 600 mm page 166

- Rail  
 Wall plate



**Grab bar**  
 801.36...100... | 300 mm page 171  
 801.36...130... | 600 mm page 171

- 



**L-shaped grab bar**  
 801.22...1... page 242

- 



**Grab bar with shower head holder**  
 477.33...10... | 1100 mm page 172  
 801.33...110... | 900 mm page 173

- Rail, roses  
 Shower head holder



**L-shaped grab bar with shower head holder**  
 801.33.21... page 174  
 801.33B21... page 175

- Rail, roses  
 Shower head holder



**Shower grab bar w. vertical adjust. support bar and shower head holder**  
 801.35.31... page 176  
 801.35B31... page 177

- Rail, roses  
 Shower head holder



**Folding shower seat**  
 801.51...2000 page 179  
 801.51...2100 page 180

- Seat  
 Wall plate  Bend



**Soap dispenser**  
477.06...110... page 140

- Holder
- Push button



**Disinfectant/soap dispenser**  
477.06...10599 page 141

- Basic body
- Lever



**Disinfectant/soap dispenser**  
477.06...10299 | HEWI SENSORIC p. 142  
477.06...10399 | HEWI SENSORIC p. 142  
477.06...10499 | HEWI SENSORIC p. 142

- Basic body
- Frame element



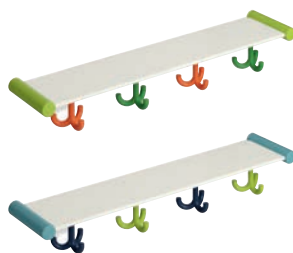
**Soap dispenser, manual**  
477.06...10199 page 143

- Basic body, lever
- Frame element



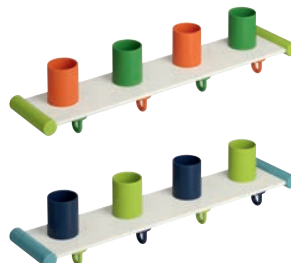
**Shelf with hooks**  
800.03...403 page 146  
800.03...413 page 146

- Holders
- Hooks



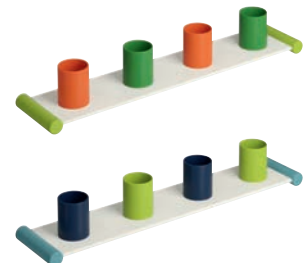
**Shelf with triple hooks**  
800.03...404 page 147  
800.03...414 page 147

- Holders
- Hooks



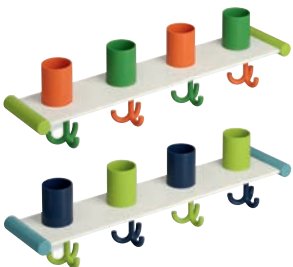
**Tumbler rack with hooks**  
800.03...400 page 148  
800.03...410 page 148

- Holders
- Tumblers, hooks



**Tumbler rack**  
800.03...401 page 149  
800.03...411 page 149

- Holders
- Tumblers



**Tumbler rack with triple hooks**  
800.03...402 page 150  
800.03...412 page 150

- Holder
- Tumblers, hooks



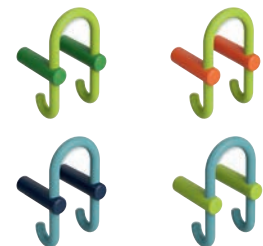
**Hook set | Double hook set**  
477.99...002 | ...003 page 154  
477.99...005 | ...006 page 155

- Rose
- Hook



**Triple hook**  
477.90...050 page 156

- 



**Double coat hook**  
801.90...03... page 157

- Hook part
- Support pins



**Toilet brush unit**  
477.20...102 page 160  
477.20...103 page 160

- Brush container
- Holder
- Brush handle



**Toilet roll holder**  
477.21...100 page 161

- 



**Hygiene bag dispenser**  
477.06...750 page 162

-



6 HEWI COLORS

- 99 (pure white)
- 36 (coral)
- 74 (apple green)

- 72 (may green)
- 55 (aqua blue)
- 50 (steel blue)



**Paper towel dispenser**  
477.06...60199 page 143

- Basic body
- Frame element



**Large toilet roll holder**  
477.21...60099 page 162

- Basic body
- Frame element



**Hygiene waste bin**  
477.05...20499 page 163

- Basic body, lid
- Frame element



**Hygiene combination**  
477.05...20599 page 163

- Basic body, lid
- Frame element



**Waste paper bin | with lid**  
477.05...20199 page 144  
477.05...20299 page 144

- Basic body, lid
- Frame element



**Waste bin**  
477.05...20399 page 145

- Basic body
- Frame element



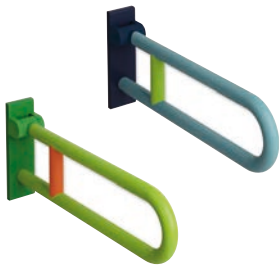
**Hygiene waste bin**  
477.05...10199 page 164

- Basic body
- Lid



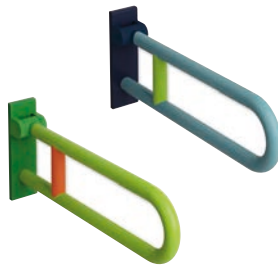
**Hygiene combination**  
477.05...10299 page 164

- Basic body
- Lid



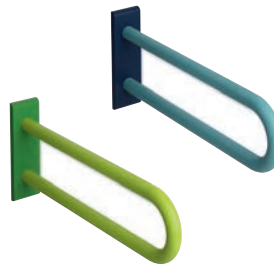
**Swing-up grab bar, rotatable**  
801.50...1001 | 600 mm page 167  
801.50...1002 | 600 mm page 167

- Rail
- Wall plate
- Support



**Swing-up grab bar**  
801.50...2001 | 600 mm page 168  
801.50...2002 | 600 mm page 168

- Rail
- Wall plate
- Support



**Stationary support rail**  
801.50...300... | 600 mm page 166

- Rail
- Wall plate



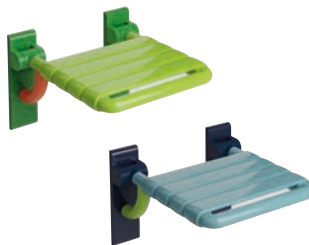
**Grab bar**  
801.36...100... | 300 mm page 171  
801.36...130... | 600 mm page 171

- Rail
- Roses



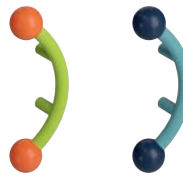
**Grab bar with shower head holder**  
801.33...100... | 600 mm page 173  
801.33...110... | 900 mm page 173

- Rail
- Roses
- Shower head holder



**Folding shower seat**  
801.51...2001 page 179  
801.51...2002 page 179

- Seat
- Wall plate
- Bend



**Pull handle**  
550.23T.41 page 183  
550.23BT.41 page 183

- Rail
- Balls



**Coat hanger set**  
570.99...004 page 182  
570.99...005 page 182

- 
- 
- 
-

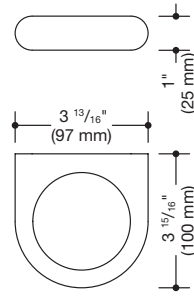
# Accessories





Item Number

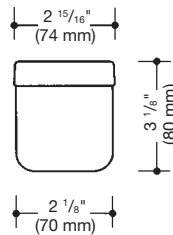
Dimensions in mm / Specification



477.00.100  
477.00B100

**HEWI Holder**

- for tumbler or soap dish insert
- 3 13/16" (97 mm) wide, 1" (25 mm) high and 3 15/16" (100 mm) deep, insert opening  $\varnothing$  2 15/16" (74 mm)
- made of high-quality polyamide
- made of high-quality matt polyamide



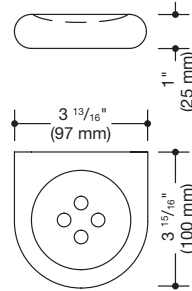
477.04.020  
477.04B020

**HEWI Tumbler, flat bottom**

- free-standing and fits as insert in holder (477.00...100)
- 3 1/8" (80 mm) high and  $\varnothing$  2 15/16" (74 mm)
- made of high-quality polyamide
- made of high-quality matt polyamide

Item Number

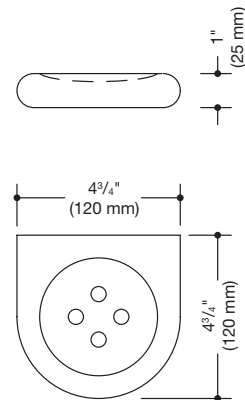
Dimensions in mm / Specification



**477.02.100**  
**477.02B100**

**HEWI Soap dish**

- soap dish with nodules, locking system to prevent unauthorised removal
- 3 13/16" (97 mm) wide, 1" (25 mm) high, 3 15/16" (100 mm) deep
- made of high-quality polyamide
- made of high-quality matt polyamide



**477.02.200**  
**477.02B200**

**HEWI Soap dish**

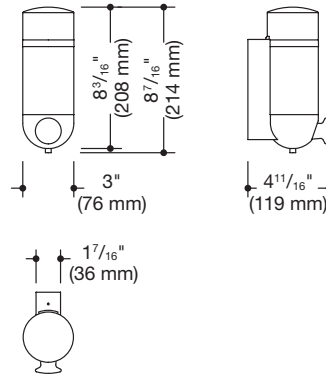
- soap dish with nodules
- locking system to prevent unauthorised removal
- 4 3/4" (120 mm) wide, 1" (25 mm) high and 4 3/4" (120 mm) deep
- made of high-quality polyamide
- made of high-quality matt polyamide

**HEWI Colors (glossy | matt)**

99  
  36  
  55

Item Number

Dimensions in mm / Specification



**477.06.11005**

**477.06.11015**

**477.06.11025**

**477.06.11035**

**477.06B11005**

**477.06B11015**

**477.06B11025**

**477.06B11035**

**HEWI Soap dispenser**

- soap dosage control by means of push-button on front
- allows one-hand operation
- concealed screw fitting to prevent unauthorised removal
- lockable container lid
- wall-mounted base to conceal drill holes to be ordered separately (477.06.E04/477.06BE04)
- 2 3/4" (70 mm) wide, 8 3/16" (208 mm) high, 4 13/16" (122 mm) deep, container ø 2 15/16" (75 mm)
- capacity 16.7 fl oz (500 ml)
- container and lid made of opaque white transparent synthetic material
- not suitable for disinfectant!

**made of high-quality polyamide**

- holder in HEWI color 74 (apple green)
- push-button in HEWI color 72 (may green)

- holder in HEWI color 74 (apple green)
- push-button in HEWI color 36 (coral)

- holder in HEWI color 55 (aqua blue)
- push-button in HEWI color 50 (steel blue)

- holder in HEWI color 55 (aqua blue)
- push-button in HEWI color 74 (apple green)

**made of high-quality matt polyamide**

- holder in HEWI color 74 (apple green)
- push-button in HEWI color 72 (may green)

- holder in HEWI color 74 (apple green)
- push-button in HEWI color 36 (coral)

- holder in HEWI color 55 (aqua blue)
- push-button in HEWI color 50 (steel blue)

- holder in HEWI color 55 (aqua blue)
- push-button in HEWI color 74 (apple green)

**HEWI Color combinations (glossy | matt)**

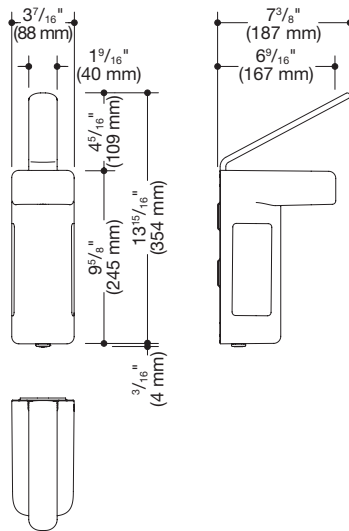
74	74	55	55
72	36	50	74

**477.06.E04**  
**477.06BE04**

**HEWI Wall-mounted base** see page 184  
**HEWI Wall-mounted base, matt** see page 184

Item Number

Dimensions in mm / Specification



**HEWI Disinfectant/soap dispenser**

- with viewing windows on the sides for monitoring the fill level
- for dispensing controlled quantities of chlorine-free, alcohol-based hand disinfectants or liquid soaps
- for 16.7 fl oz (500 ml) Euro standard bottles
- the disposable bottles are easy to replace from the front
- dispenser with long lever, lockable
- dosing quantity adjustable in several steps: 0.02, 0.03, 0.04, 0.05 fl oz (0.7 ml, 1.0 ml, 1.2 ml, 1.5 ml, depending on the viscosity of the product)
- dosing pump made of high-quality stainless steel
- compatible with hygienic packaging (collapsing bottle with disposable pump)
- dispenser and pump dishwasher safe and autoclavable up to 407 K (134 °C), 3 bar
- 3 7/16" (88 mm) wide, 13 15/16" (354 mm) high and 7 3/8" (187 mm) deep
- incl. 16.7 fl oz (500 ml) empty container for free refilling
- for wall mounting
- basic body made of high-quality polyamide in HEWI color 99 (pure white)
- including non-corrosive HEWI fixing material

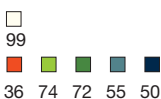
**477.06.10599**

- lever made of high-quality polyamide in HEWI colors 50 (steel blue), 55 (aqua blue), 72 (may green), 74 (apple green) and 36 (coral)

**477.06B10599**

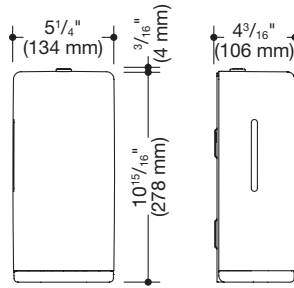
- lever made of high-quality matt polyamide in HEWI colors 50 (steel blue), 55 (aqua blue), 72 (may green), 74 (apple green) and 36 (coral)

**HEWI Colors (glossy | matt)**





**HEWI SENSORIC**



**HEWI SENSORIC Liquid soap dispenser**

- to be filled with standard liquid soap
- with inner container for free filling, capacity 16.7 fl oz (500 ml)
- inner container can be removed for cleaning
- side level indicator
- non-contact soap dispensing
- enclosed sticker to identify the dispenser (if required to distinguish between soap dispenser, foam soap dispenser and disinfectant dispenser)
- illumination of the output area when the sensor is activated (blue light)
- with battery change indicator
- locking system as protection against misuse
- maintenance-free
- 5 1/4 " (134 mm) wide, 10 15/16" (278 mm) high, 4 3/16" (106 mm) deep
- for wall mounting
- basic body made of high-quality polyamide in HEWI color 99 (pure white)
- batteries (AA 1,5 V/4 pcs.) not included in delivery

**477.06.10299**

- frame element / opening made of high-quality polyamide in HEWI colors 50 (steel blue), 55 (aqua blue), 72 (may green), 74 (apple green) and 36 (coral)

**477.06B10299**

- frame element / opening made of high-quality matt polyamide in HEWI colors 50 (steel blue), 55 (aqua blue), 72 (may green), 74 (apple green) and 36 (coral)

**HEWI SENSORIC Foam soap dispenser**

- do., to be filled with standard foam soap
- non-contact foam soap dispensing

**477.06.10399**

- frame element / opening made of high-quality polyamide in HEWI colors 50 (steel blue), 55 (aqua blue), 72 (may green), 74 (apple green) and 36 (coral)

**477.06B10399**

- frame element / opening made of high-quality matt polyamide in HEWI colors 50 (steel blue), 55 (aqua blue), 72 (may green), 74 (apple green) and 36 (coral)

**HEWI SENSORIC Disinfectant dispenser**

- do., to be filled with standard disinfectant
- non-contact disinfectant dispensing

**477.06.10499**

- frame element / opening made of high-quality polyamide in HEWI colors 50 (steel blue), 55 (aqua blue), 72 (may green), 74 (apple green) and 36 (coral)

**477.06B10499**

- frame element / opening made of high-quality matt polyamide in HEWI colors 50 (steel blue), 55 (aqua blue), 72 (may green), 74 (apple green) and 36 (coral)

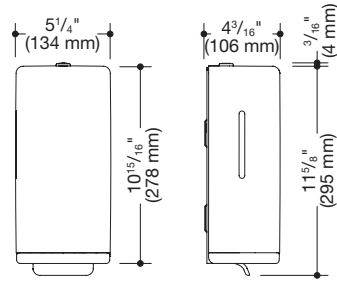
**477.06.E0360**

**HEWI Drip tray** see page 184



Item Number

Dimensions in mm / Specification



**HEWI Soap dispenser**

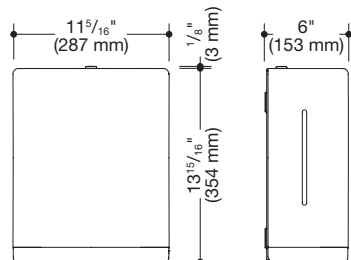
- with inner container for free filling, capacity 20.3 fl oz (600 ml)
- inner container can be removed for cleaning
- side level indicator
- with lever for manual soap dispensing
- locking system as protection against misuse
- basic body / lever made of high-quality polyamide in HEWI color 99 (pure white)
- 5 1/4" (134 mm) wide, 10 15/16" (278 mm) high and 4 3/16" (106 mm) deep
- for wall mounting
- including non-corrosive HEWI fixing material

**477.06.10199**

- frame element made of high-quality polyamide in HEWI colors 50 (steel blue), 55 (aqua blue), 72 (may green), 74 (apple green) and 36 (coral)

**477.06B10199**

- frame element made of high-quality matt polyamide in HEWI colors 50 (steel blue), 55 (aqua blue), 72 (may green), 74 (apple green) and 36 (coral)



**HEWI Paper towel dispenser**

- to hold standard paper towels with different folds in the width 9 1/4" - 9 13/16" (235 - 250 mm) and folded length / depth of 3 1/8" - 4 5/16" (80 - 110 mm), HEWI recommends paper towels with Z-fold
- capacity approx. 300 - 450 paper towels, side level indicator
- locking system as protection against misuse
- basic body made of high-quality polyamide in HEWI color 99 (pure white)
- 11 5/16" (287 mm) wide, 13 15/16" (354 mm) high and 6" (153 mm) deep
- for wall mounting
- including non-corrosive HEWI fixing material

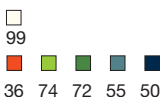
**477.06.60199**

- frame element made of high-quality polyamide in HEWI colors 50 (steel blue), 55 (aqua blue), 72 (may green), 74 (apple green) and 36 (coral)

**477.06B60199**

- frame element made of high-quality matt polyamide in HEWI colors 50 (steel blue), 55 (aqua blue), 72 (may green), 74 (apple green) and 36 (coral)

**HEWI Colors (glossy | matt)**



36 74 72 55 50

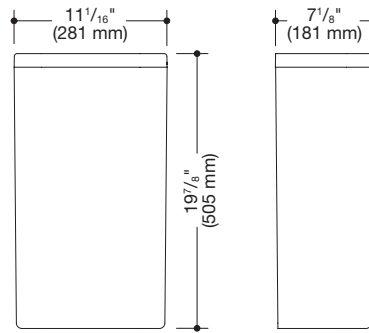
Item Number

Dimensions in mm / Specification



477.05.20199

477.05B20199



**HEWI Waste paper bin**

- capacity approx. 845.4 fl oz (25 l)
- invisible, integrated bag holder
- 11 1/16" (281 mm) wide, 19 7/8" (505 mm) high and 7 1/8" (181 mm) deep
- for wall mounting
- basic body made of high-quality polyamide in HEWI color 99 (pure white)
- including non-corrosive HEWI fixing material

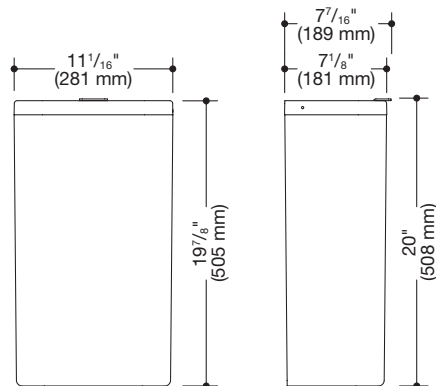
- frame element / opening made of high-quality polyamide in HEWI colors 50 (steel blue), 55 (aqua blue), 72 (may green), 74 (apple green) and 36 (coral)

- frame element / opening made of high-quality matt polyamide in HEWI colors 50 (steel blue), 55 (aqua blue), 72 (may green), 74 (apple green) and 36 (coral)



477.05.20299

477.05B20299



**HEWI Waste paper bin**

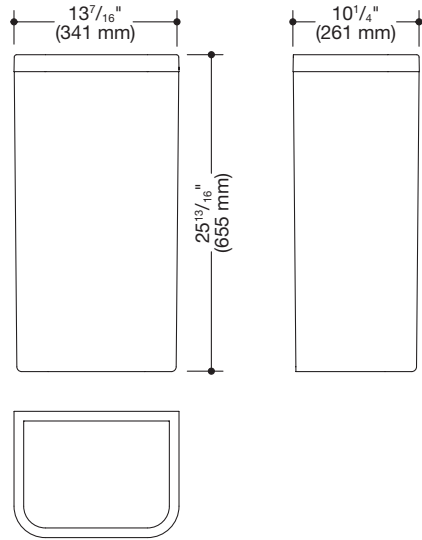
- do., with lid with lifting flap
- basic body / lid made of high-quality polyamide in HEWI color 99 (pure white)

- frame element / opening made of high-quality polyamide in HEWI colors 50 (steel blue), 55 (aqua blue), 72 (may green), 74 (apple green) and 36 (coral)

- frame element / opening made of high-quality matt polyamide in HEWI colors 50 (steel blue), 55 (aqua blue), 72 (may green), 74 (apple green) and 36 (coral)

Item Number

Dimensions in mm / Specification



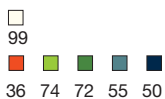
**477.05.20399**

**477.05B20399**

**HEWI Waste bin**

- capacity approx. 2029 fl oz (60 l)
- invisible, integrated bag holder
- 13 7/16" (341 mm) wide, 25 13/16" (655 mm) high and 10 1/4" (261 mm) deep
- for wall mounting and as a free-standing model
- basic body made of high-quality polyamide in HEWI color 99 (pure white)
- including non-corrosive HEWI fixing material
- frame element / opening made of high-quality polyamide in HEWI colors 50 (steel blue), 55 (aqua blue), 72 (may green), 74 (apple green) and 36 (coral)
- frame element / opening made of high-quality matt polyamide in HEWI colors 50 (steel blue), 55 (aqua blue), 72 (may green), 74 (apple green) and 36 (coral)

**HEWI Colors (glossy | matt)**

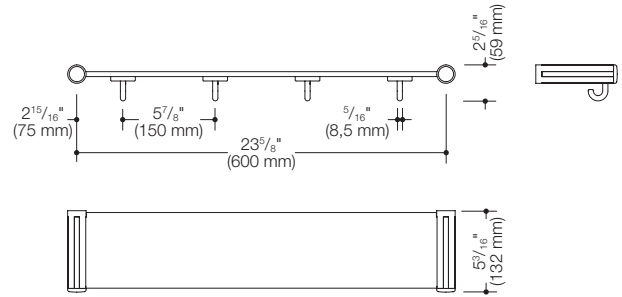


Item Number

Dimensions in mm / Specification



**800.03.403**  
**800.03B403**



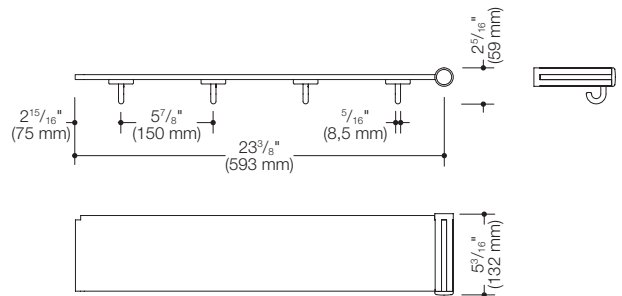
**HEWI Shelf with hooks, 4 places**

- holders in HEWI colors 74 (apple green) or 55 (aqua blue)
- hooks in HEWI colors 72 (may green), 74 (apple green), 50 (steel blue) or 36 (coral)
- rack shelf made of robust HPL, surface: silky white, with slight texture
- distance between places: 5 7/8" (150 mm), can be retrofitted
- corresponds to the specifications of DGUV Guidelines 82 for children's day care facilities („Child daycare centres")
- max. static load 20 kg
- 24 13/16" (630 mm) wide (c to c 23 5/8" (600 mm)), 2 5/16" (59 mm) high, 5 3/16" (132 mm) deep
- to increase the number of places, use HEWI extension kit 800.03...413
- holders and hooks made of high-quality polyamide
- holders and hooks made of high-quality matt polyamide

Please advise the desired color combination when ordering.



**800.03.413**  
**800.03B413**



**HEWI Extension kit shelf with hooks, 4 places**

- for retrofitting the shelf with hooks 800.03...403 to add 4 places
- holder in HEWI colors 74 (apple green) or 55 (aqua blue)
- hooks in HEWI colors 72 (may green), 74 (apple green), 50 (steel blue) or 36 (coral)
- rack shelf made of robust HPL, surface: silky white, with slight texture
- distance between places: 5 7/8" (150 mm), can be retrofitted
- corresponds to the specifications of DGUV Guidelines 82 for children's day care facilities („Child daycare centres")
- max. static load 20 kg
- 23 15/16" (608 mm) wide, 2 5/16" (59 mm) high, 5 3/16" (132 mm) deep
- holder and hooks made of high-quality polyamide
- holder and hooks made of high-quality matt polyamide

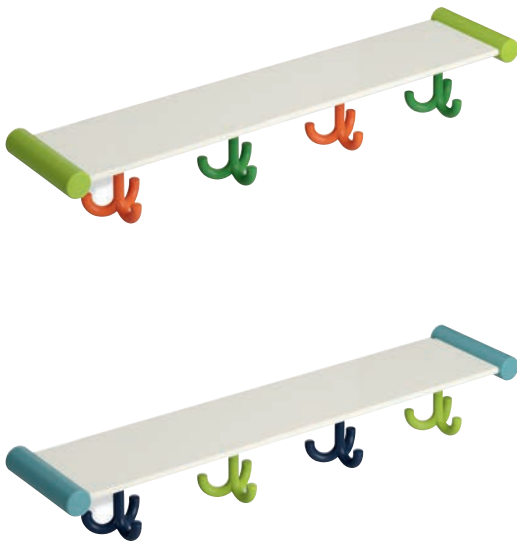
Please advise the desired color combination when ordering.

**477.90.040**  
**477.90B040**

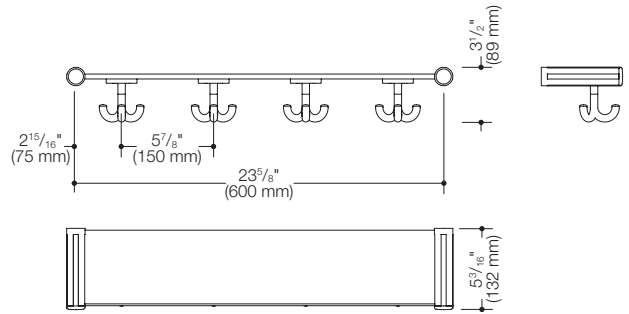
**HEWI Hook** see page 185  
**HEWI Hook, matt** see page 185

Item Number

Dimensions in mm / Specification



**800.03.404**  
**800.03B404**

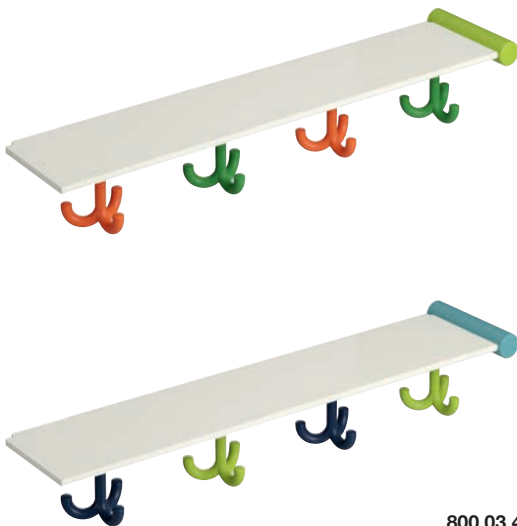


**HEWI Shelf with triple hooks, 4 places**

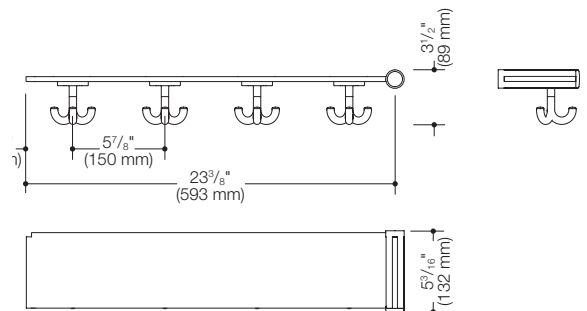
- holders in HEWI colors 74 (apple green) or 55 (aqua blue)
- triple hooks in HEWI colors 72 (may green), 74 (apple green), 50 (steel blue) or 36 (coral)
- rack shelf made of robust HPL, surface: silky white, with slight texture
- distance between places: 5 7/8" (150 mm), can be retrofitted
- corresponds to the specifications of DGUV Guidelines 82 for children's day care facilities („Child daycare centres“)
- max. static load 20 kg
- 24 13/16" (630 mm) wide (c to c 23 5/8" (600 mm)), 3 1/2" (89 mm) high, 5 3/16" (132 mm) deep
- to increase the number of places, use HEWI extension kit 800.03...414

- holders and triple hooks made of high-quality polyamide
- holders and triple hooks made of high-quality matt polyamide

Please advise the desired color combination when ordering.



**800.03.414**  
**800.03B414**







**HEWI Extension kit shelf with triple hooks, 4 places**

- for retrofitting the shelf with hooks 800.03...404 to add 4 places
- holder in HEWI colors 74 (apple green) or 55 (aqua blue)
- triple hook in HEWI colors 72 (may green), 74 (apple green), 50 (steel blue) or 36 (coral)
- rack shelf made of robust HPL, surface: silky white, with slight texture
- distance between places: 5 7/8" (150 mm), can be retrofitted
- corresponds to the specifications of DGUV Guidelines 82 for children's day care facilities („Child daycare centres“)
- max. static load 20 kg
- 23 15/16" (608 mm) wide, 3 1/2" (89 mm) high, 5 3/16" (132 mm) deep

- holder and triple hooks made of high-quality polyamide
- holder and triple hooks made of high-quality matt polyamide

Please advise the desired color combination when ordering.

**HEWI Color combinations (glossy | matt)**

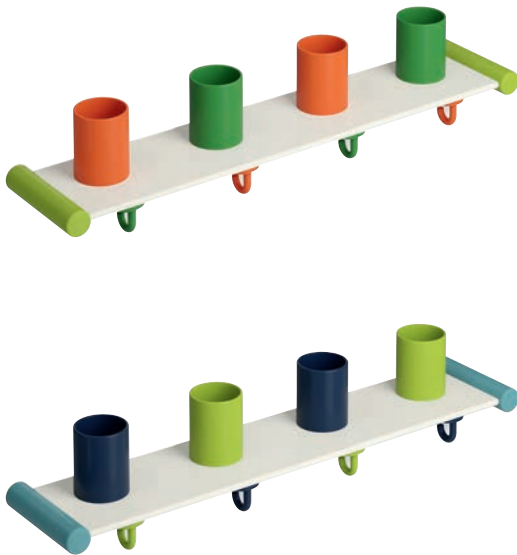
	
74	55
	
72 36	50 74

**477.90.054**  
**477.90B054**

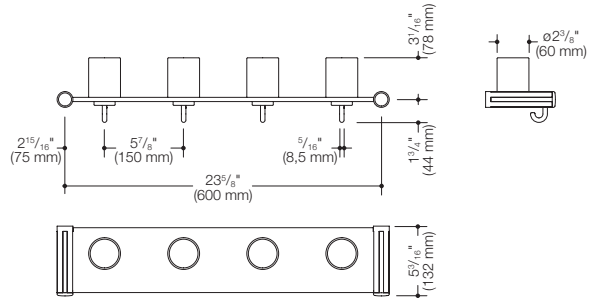
**HEWI Triple hook** see page 185  
**HEWI Triple hook, matt** see page 185

Item Number

Dimensions in mm / Specification



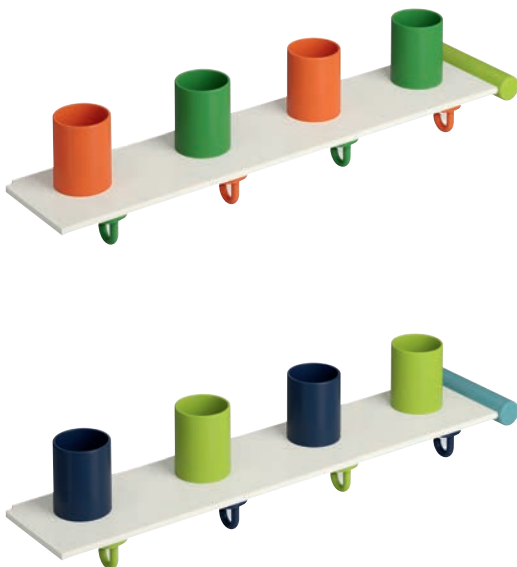
**800.03.400**  
**800.03B400**



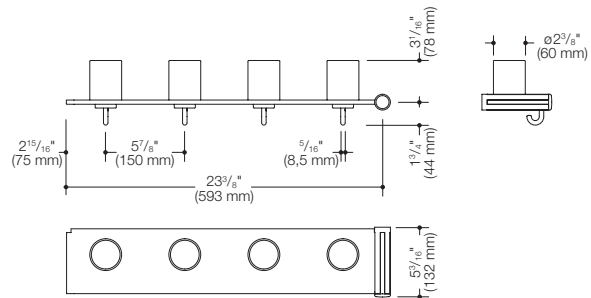
**HEWI Tumbler rack with hooks, 4 places**

- holders in HEWI colors 74 (apple green) or 55 (aqua blue)
- tumblers and hooks in HEWI colors 72 (may green), 74 (apple green), 50 (steel blue) or 36 (coral)
- rack shelf made of robust HPL, surface: silky white, with slight texture
- distance between places: 5 7/8" (150 mm), can be retrofitted
- corresponds to the specifications of DGUV Guidelines 82 for children's day care facilities („Child daycare centres“)
- max. static load 20 kg
- 24 13/16" (630 mm) wide (c to c 23 5/8" (600 mm)), 4 13/16" (122 mm) high, 5 3/16" (132 mm) deep
- to increase the number of places, use HEWI extension kit 800.03...410
- for individualisation, additional HEWI pictogram sheets available as blank version for labelling 33.1772E or with motifs 33.1772A, 33.1772B, 33.1772C, 33.1772D (to be ordered separately)
- holders, tumblers and hooks made of high-quality polyamide
- holders, tumblers and hooks made of high-quality matt polyamide

Please advise the desired color combination when ordering.



**800.03.410**  
**800.03B410**



**HEWI Extension kit tumbler rack with hooks, 4 places**

- for retrofitting the tumbler rack with hooks 800.03...400 to add 4 places
- holder in HEWI colors 74 (apple green) or 55 (aqua blue)
- tumblers and hooks in HEWI colors 72 (may green), 74 (apple green), 50 (steel blue) or 36 (coral)
- rack shelf made of robust HPL, surface: silky white, with slight texture
- distance between places: 5 7/8" (150 mm), can be retrofitted
- corresponds to the specifications of DGUV Guidelines 82 for children's day care facilities („Child daycare centres“)
- max. static load 20 kg
- 23 15/16" (608 mm) wide, 4 13/16" (122 mm) high, 5 3/16" (132 mm) deep
- for individualisation, additional HEWI pictogram sheets available as blank version for labelling 33.1772E or with motifs 33.1772A, 33.1772B, 33.1772C, 33.1772D (to be ordered separately)
- holder, tumblers and hooks made of high-quality polyamide
- holder, tumblers and hooks made of high-quality matt polyamide

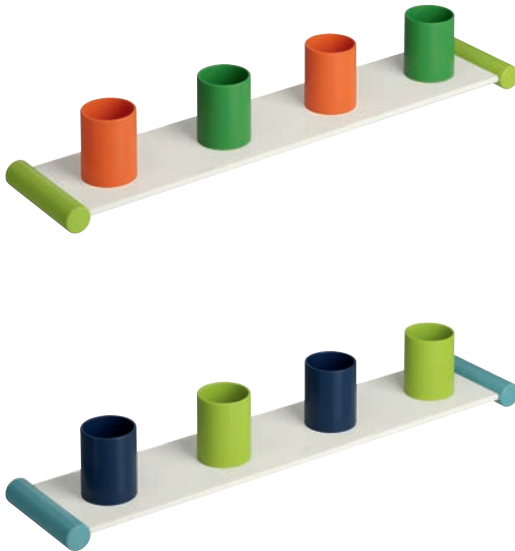
Please advise the desired color combination when ordering.

**41382**  
**72320**  
**477.90.040**  
**477.90B040**

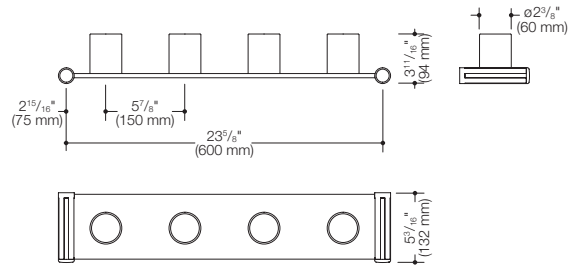
**HEWI Tumbler** see page 184  
**HEWI Tumbler, matt** see page 184  
**HEWI Hook** see page 185  
**HEWI Hook, matt** see page 185

Item Number

Dimensions in mm / Specification



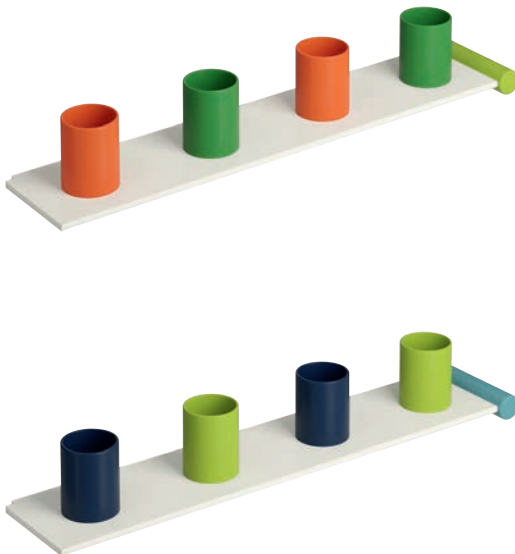
**800.03.401**  
**800.03B401**



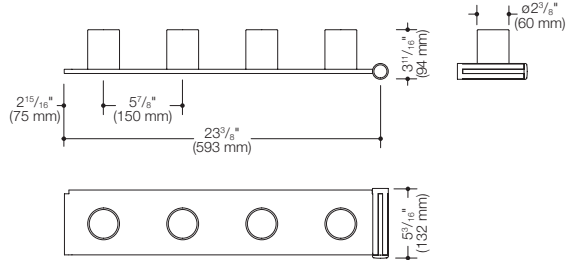
**HEWI Tumbler rack, 4 places**

- holders in HEWI colors 74 (apple green) or 55 (aqua blue)
- tumblers in HEWI colors 72 (may green), 74 (apple green), 50 (steel blue) or 36 (coral)
- rack shelf made of robust HPL, surface: silky white, with slight texture
- distance between places: 5 7/8" (150 mm), can be retrofitted
- corresponds to the specifications of DGUV Guidelines 82 for children's day care facilities („Child daycare centres“)
- max. static load 20 kg
- 24 13/16" (630 mm) wide (c to c 23 5/8" (600 mm)), 3 11/16" (94 mm) high, 5 3/16" (132 mm) deep
- to increase the number of places, use HEWI extension kit 800.03...411
- for individualisation, additional HEWI pictogram sheets available as blank version for labelling 33.1772E or with motifs 33.1772A, 33.1772B, 33.1772C, 33.1772D (to be ordered separately)
- holders and tumblers made of high-quality polyamide
- holders and tumblers made of high-quality matt polyamide

Please advise the desired color combination when ordering.



**800.03.411**  
**800.03B411**

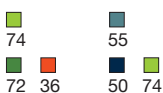


**HEWI Extension kit tumbler rack, 4 places**

- for retrofitting the tumbler rack 800.03...401 to add 4 places
- holder in HEWI colors 74 (apple green) or 55 (aqua blue)
- tumblers in HEWI colors 72 (may green), 74 (apple green), 50 (steel blue) or 36 (coral)
- rack shelf made of robust HPL, surface: silky white, with slight texture
- distance between places: 5 7/8" (150 mm), can be retrofitted
- corresponds to the specifications of DGUV Guidelines 82 for children's day care facilities („Child daycare centres“)
- max. static load 20 kg
- 23 15/16" (608 mm) wide, 3 11/16" (94 mm) high, 5 3/16" (132 mm) deep
- for individualisation, additional HEWI pictogram sheets available as blank version for labelling 33.1772E or with motifs 33.1772A, 33.1772B, 33.1772C, 33.1772D (to be ordered separately)
- holder and tumblers made of high-quality polyamide
- holder and tumblers made of high-quality matt polyamide

Please advise the desired color combination when ordering.

**HEWI Color combinations (glossy | matt)**



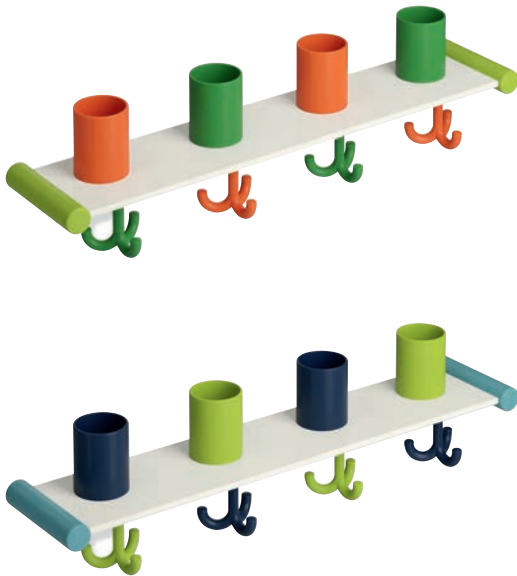
**41382**  
**72320**

**HEWI Tumbler** see page 184

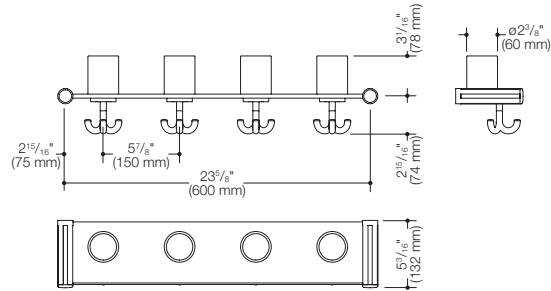
**HEWI Tumbler, matt** see page 184

Item Number

Dimensions in mm / Specification



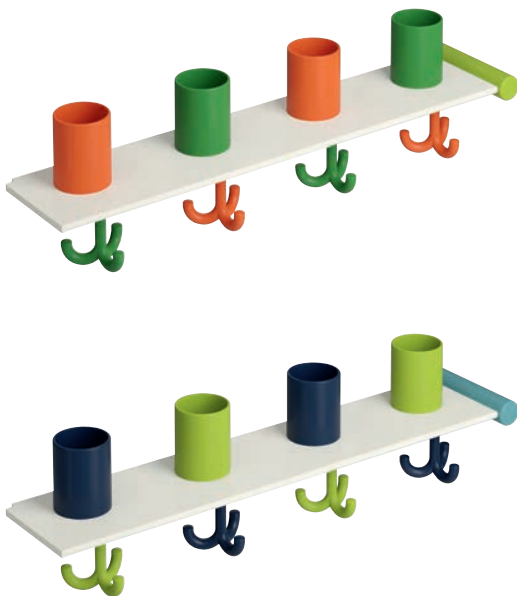
800.03.402  
800.03B402



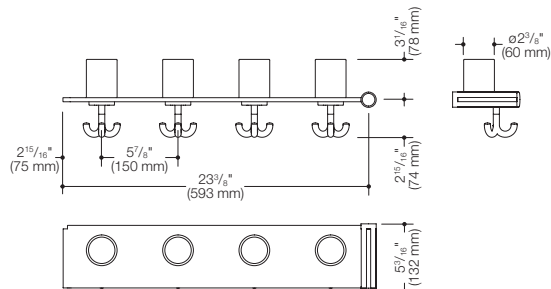
**HEWI Tumbler rack with triple hooks, 4 places**

- holders in HEWI colors 74 (apple green) or 55 (aqua blue)
- tumblers and hooks in HEWI colors 72 (may green), 74 (apple green), 50 (steel blue) or 36 (coral)
- rack shelf made of robust HPL, surface: silky white, with slight texture
- distance between places: 5 7/8" (150 mm), can be retrofitted
- corresponds to the specifications of DGUV Guidelines 82 for children's day care facilities („Child daycare centres“)
- max. static load 20 kg
- 24 13/16" (630 mm) wide (c to c 23 5/8" (600 mm)), 6" (152 mm) high, 5 3/16" (132 mm) deep
- to increase the number of places, use HEWI extension kit 800.03...412
- for individualisation, additional HEWI pictogram sheets available as blank version for labelling 33.1772E or with motifs 33.1772A, 33.1772B, 33.1772C, 33.1772D (to be ordered separately)
- holders, tumblers and hooks made of high-quality polyamide
- holders, tumblers and hooks made of high-quality matt polyamide

Please advise the desired color combination when ordering.



800.03.412  
800.03B412

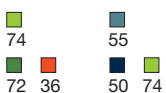


**HEWI Extension kit tumbler rack with triple hooks, 4 places**

- for retrofitting the tumbler rack with triple hooks 800.03...402 to add 4 places
- holder in HEWI colors 74 (apple green) or 55 (aqua blue)
- tumblers and triple hooks in HEWI colors 72 (may green), 74 (apple green), 50 (steel blue) or 36 (coral)
- rack shelf made of robust HPL, surface: silky white, with slight texture
- distance between places: 5 7/8" (150 mm), can be retrofitted
- corresponds to the specifications of DGUV Guidelines 82 for children's day care facilities („Child daycare centres“)
- max. static load 20 kg
- 23 15/16" (608 mm) wide, 6" (152 mm) high, 5 3/16" (132 mm) deep
- for individualisation, additional HEWI pictogram sheets available as blank version for labelling 33.1772E or with motifs 33.1772A, 33.1772B, 33.1772C, 33.1772D (to be ordered separately)
- holder, tumblers and hooks made of high-quality polyamide
- holder, tumblers and hooks made of high-quality matt polyamide

Please advise the desired color combination when ordering.

**HEWI Color combinations (glossy | matt)**



41382  
72320  
477.90.054  
477.90B054

**HEWI Tumbler** see page 184  
**HEWI Tumbler, matt** see page 184  
**HEWI Triple hook** see page 185  
**HEWI Triple hook, matt** see page 185

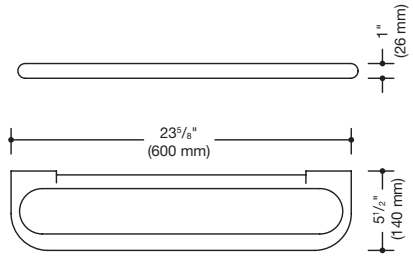


Item Number

Dimensions in mm / Specification



**477.03.100**  
**477.03B100**



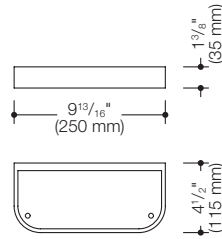
**HEWI Shelf**

- locking system to prevent unauthorised removal
- 23 5/8" (600 mm) wide, 1" (26 mm) high and 5 1/2" (140 mm) deep
- including non-corrosive HEWI fixing material
- made of high-quality polyamide in HEWI color 99 (pure white)
- made of high-quality matt polyamide in HEWI color 99 (pure white)



**477.03.300**

**477.03B300**



**HEWI Storage dish**

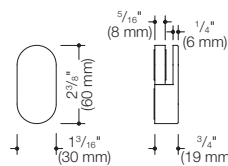
- elongated dish with flat bottom and two drain holes
- fits on wall in wall-mounted holder
- removable, 9 13/16" (250 mm) wide, 1 3/8" (35 mm) high and 4 1/2" (115 mm) deep
- made of high-quality polyamide in HEWI colors 99 (pure white), 55 (aqua blue) and 36 (coral)
- made of high-quality matt polyamide in HEWI colors 99 (pure white), 55 (aqua blue) and 36 (coral)



**477.01.100**

**477.01B100**

**41939**  
**68557**



**HEWI Mirror clip**

- flat mirror clip, to fit mirrors 1/4" (6 mm) thick
- for combination with 477.01...010 and 477.01...020
- concealed screw fitting to prevent unauthorised removal
- 1 3/16" (30 mm) wide, 2 3/8" (60 mm) high and 11/16" (18 mm) deep, supplied per pair
- made of high-quality polyamide in HEWI colors 99 (pure white), 55 (aqua blue) and 36 (coral)
- made of high-quality matt polyamide in HEWI colors 99 (pure white), 55 (aqua blue) and 36 (coral)

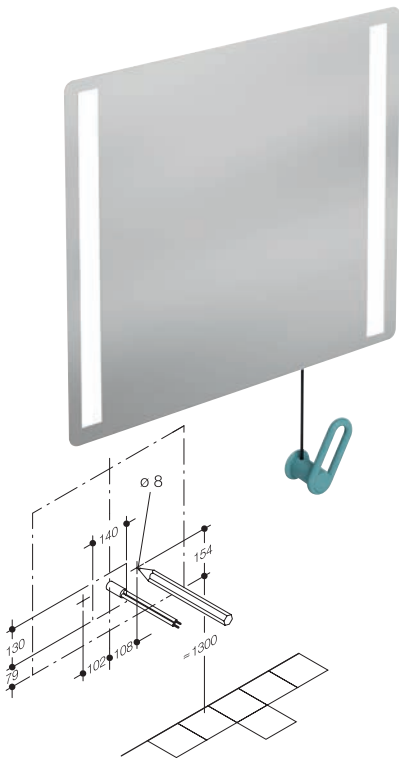
**HEWI Extension piece**  
**HEWI Extension piece, matt**

**HEWI Colors (glossy | matt)**

□ 99 □ 36 □ 55

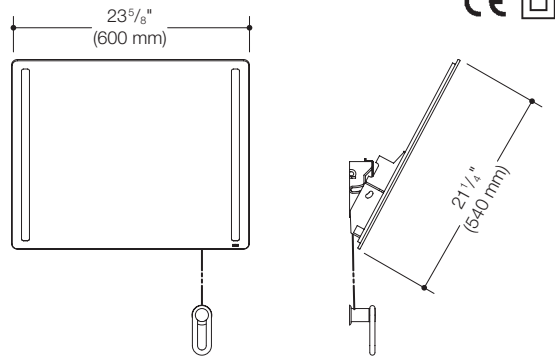
Item Number

Dimensions in mm / Specification



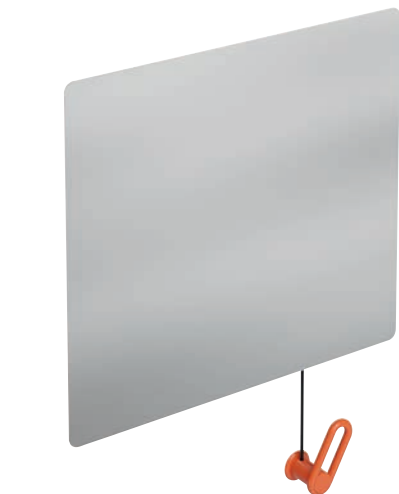
Installation and wiring instructions

801.01.400  
801.01B400



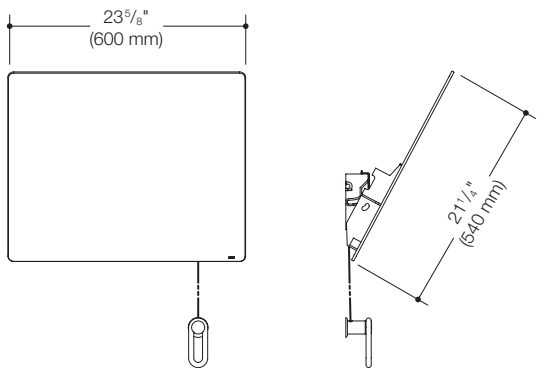
**HEWI LED Adjustable mirror, basic**

- rectangular, illuminated laminated glass mirror with sanded edges, integrated shatter protection and integrated LED lights on the side
- mirror adjustable by max. 28° using cranked cord control and therefore usable in standing or sitting position
- for wall mounting, direct connection 200-240 V
- with rope pulley for pre-wall installation
- with two high-quality LED aluminum light profiles attached to the back
- durable LED in light color: natural white, approx. 4000 Kelvin, total output approx. 9,6 watt
- LED and ballast are protected, protection class II, rating IP 44
- mirror 23 5/8" (600 mm) wide, 21 1/4" (540 mm) high and 1/4" (6 mm) thick
- energy efficiency class A++, A+, A acc. to ordinance (EU) 874/2012
- holding element/rotating handle made of high-quality polyamide
- holding element/rotating handle made of high-quality matt polyamide



Installation and wiring instructions  
see above

801.01.100  
801.01B100



**HEWI Adjustable mirror**

- rectangular plate glass mirror with rounded edges and integrated splinter protection foil
- mirror adjustable by max. 28° using cranked cord control and therefore usable in standing or sitting position
- for wall mounting, for prewall mounting with cord re-routing
- 23 5/8" (600 mm) wide, 21 1/4" (540 mm) high and 1/4" (6 mm) thick, mirror: crystal glass
- holding element/rotating handle made of high-quality polyamide
- holding element/rotating handle made of high-quality matt polyamide

**HEWI Colors (glossy | matt)**

99 36 55

21755  
54436  
68559  
25244  
68555

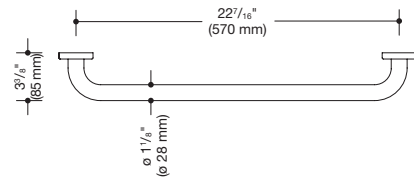
**HEWI Plate glass mirror** see page 186  
**HEWI Cord re-routing** see page 186  
**HEWI Cord re-routing, matt** see page 186  
**HEWI Rotating handle** see page 186  
**HEWI Rotating handle, matt** see page 186

Item Number

Dimensions in mm / Specification



**477.30.100**  
**477.30B100**

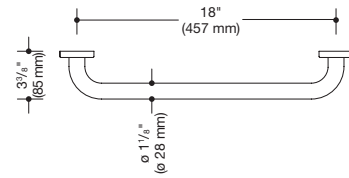


**HEWI Bath towel rail**

- 22 7/16" (570 mm) wide (c to c), 3 3/8" (85 mm) deep,  $\phi$  1 1/8" (28 mm), roses  $\phi$  2 3/8" (60 mm)
- made of high-quality polyamide
- made of high-quality matt polyamide



**477.30.200**  
**477.30B200**

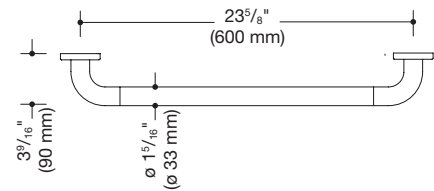


**HEWI Bath towel rail**

- 18" (457 mm) wide (c to c), 3 3/8" (85 mm) deep,  $\phi$  1 1/8" (28 mm), roses  $\phi$  2 3/8" (60 mm)
- made of high-quality polyamide
- made of high-quality matt polyamide



**477.30.300**  
**477.30B300**

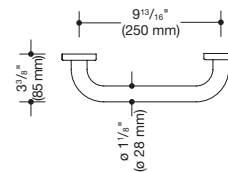


**HEWI Bath towel rail**

- with corrosion-resistant steel insert
- 23 5/8" (600 mm) wide (c to c), 3 9/16" (90 mm) deep,  $\phi$  1 5/16" (33 mm), roses  $\phi$  2 3/4" (70 mm)
- made of high-quality polyamide
- made of high-quality matt polyamide



**477.31.100**  
**477.31B100**



**HEWI Grab bar**

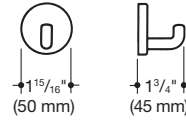
- 9 13/16" (250 mm) wide (c to c), 3 3/8" (85 mm) deep,  $\phi$  1 1/8" (28 mm), roses  $\phi$  2 3/8" (60 mm)
- made of high-quality polyamide
- made of high-quality matt polyamide

**HEWI Colors (glossy | matt)**

99

Item Number

Dimensions in mm / Specification



**HEWI Single hook set**

- concealed screw fitting to prevent unauthorised removal
- 1 3/4" (45 mm) deep, rose  $\varnothing$  1 15/16" (50 mm)
- packing unit 3 pieces (different colors)



477.99.001

**made of high-quality polyamide**

- rose in HEWI color 99 (pure white), hook part in HEWI color 36 (coral)
- rose in HEWI color 36 (coral), hook part in HEWI color 55 (aqua blue)
- rose in HEWI color 55 (aqua blue), hook part in HEWI color 99 (pure white)

477.99B001

**made of high-quality matt polyamide**

- rose in HEWI color 99 (pure white), hook part in HEWI color 36 (coral)
- rose in HEWI color 36 (coral), hook part in HEWI color 55 (aqua blue)
- rose in HEWI color 55 (aqua blue), hook part in HEWI color 99 (pure white)



477.99.002

**made of high-quality polyamide**

- rose in HEWI color 74 (apple green), hook part in HEWI color 36 (coral)
- rose in HEWI color 72 (may green), hook part in HEWI color 74 (apple green)
- rose in HEWI color 36 (coral), hook part in HEWI color 72 (may green)

477.99B002

**made of high-quality matt polyamide**

- rose in HEWI color 74 (apple green), hook part in HEWI color 36 (coral)
- rose in HEWI color 72 (may green), hook part in HEWI color 74 (apple green)
- rose in HEWI color 36 (coral), hook part in HEWI color 72 (may green)



477.99.003

**made of high-quality polyamide**

- rose in HEWI color 55 (aqua blue), hook part in HEWI color 74 (apple green)
- rose in HEWI color 50 (steel blue), hook part in HEWI color 55 (aqua blue)
- rose in HEWI color 74 (apple green), hook part in HEWI color 50 (steel blue)

477.99B003

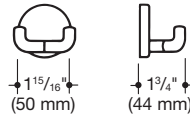
**made of high-quality matt polyamide**

- rose in HEWI color 55 (aqua blue), hook part in HEWI color 74 (apple green)
- rose in HEWI color 50 (steel blue), hook part in HEWI color 55 (aqua blue)
- rose in HEWI color 74 (apple green), hook part in HEWI color 50 (steel blue)

Supplied without fixing material.

Item Number

Dimensions in mm / Specification



**HEWI Double hook set**

- concealed screw fitting to prevent unauthorised removal
- 1 3/4" (44 mm) deep, rose ø 1 15/16" (50 mm)
- packing unit 3 pieces (different colors)

**made of high-quality polyamide**

- rose in HEWI color 99 (pure white), hook part in HEWI color 36 (coral)
- rose in HEWI color 36 (coral), hook part in HEWI color 55 (aqua blue)
- rose in HEWI color 55 (aqua blue), hook part in HEWI color 99 (pure white)



**477.99.004**

**made of high-quality matt polyamide**

- rose in HEWI color 99 (pure white), hook part in HEWI color 36 (coral)
- rose in HEWI color 36 (coral), hook part in HEWI color 55 (aqua blue)
- rose in HEWI color 55 (aqua blue), hook part in HEWI color 99 (pure white)

**477.99B004**

**made of high-quality polyamide**

- rose in HEWI color 74 (apple green), hook part in HEWI color 36 (coral)
- rose in HEWI color 72 (may green), hook part in HEWI color 74 (apple green)
- rose in HEWI color 36 (coral), hook part in HEWI color 72 (may green)



**477.99.005**

**made of high-quality matt polyamide**

- rose in HEWI color 74 (apple green), hook part in HEWI color 36 (coral)
- rose in HEWI color 72 (may green), hook part in HEWI color 74 (apple green)
- rose in HEWI color 36 (coral), hook part in HEWI color 72 (may green)

**477.99B005**

**made of high-quality polyamide**

- rose in HEWI color 55 (aqua blue), hook part in HEWI color 74 (apple green)
- rose in HEWI color 50 (steel blue), hook part in HEWI color 55 (aqua blue)
- rose in HEWI color 74 (apple green), hook part in HEWI color 50 (steel blue)



**477.99.006**

**made of high-quality matt polyamide**

- rose in HEWI color 55 (aqua blue), hook part in HEWI color 74 (apple green)
- rose in HEWI color 50 (steel blue), hook part in HEWI color 55 (aqua blue)
- rose in HEWI color 74 (apple green), hook part in HEWI color 50 (steel blue)

**477.99B006**

**HEWI Color combinations (glossy | matt)**



Supplied without fixing material.

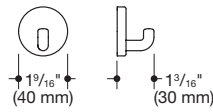
Item Number

Dimensions in mm / Specification



801.99.001

801.99B001



**HEWI Hook set**

- hook with rose fixing
- concealed screw fitting to prevent unauthorised removal
- 1 3/16" (30 mm) deep, rose  $\varnothing$  1 9/16" (40 mm)
- packing unit 3 pieces (different colors)

**made of high-quality polyamide**

- rose in HEWI color 99 (pure white), hook part in HEWI color 36 (coral)
- rose in HEWI color 36 (coral), hook part in HEWI color 55 (aqua blue)
- rose in HEWI color 55 (aqua blue), hook part in HEWI color 99 (pure w.)

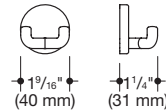
**made of high-quality matt polyamide**

- rose in HEWI color 99 (pure white), hook part in HEWI color 36 (coral)
- rose in HEWI color 36 (coral), hook part in HEWI color 55 (aqua blue)
- rose in HEWI color 55 (aqua blue), hook part in HEWI color 99 (pure w.)



801.99.002

801.99B002



**HEWI Double hook set**

- double hook with rose fixing
- concealed screw fitting to prevent unauthorised removal
- 1 1/4" (31 mm) deep, rose  $\varnothing$  1 9/16" (40 mm)
- packing unit 3 pieces (different colors)

**made of high-quality polyamide**

- rose in HEWI color 99 (pure white), hook part in HEWI color 36 (coral)
- rose in HEWI color 36 (coral), hook part in HEWI color 55 (aqua blue)
- rose in HEWI color 55 (aqua blue), hook part in HEWI color 99 (pure w.)

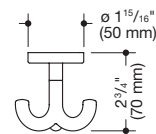
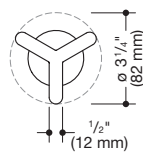
**made of high-quality matt polyamide**

- rose in HEWI color 99 (pure white), hook part in HEWI color 36 (coral)
- rose in HEWI color 36 (coral), hook part in HEWI color 55 (aqua blue)
- rose in HEWI color 55 (aqua blue), hook part in HEWI color 99 (pure w.)



477.90.050\*

477.90B050\*



**HEWI Triple hook**

- rotatable, for screwing on from underneath
- 2 3/4" (70 mm) high, rose  $\varnothing$  1 15/16" (50 mm)

- made of high-quality polyamide

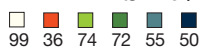
- made of high-quality matt polyamide



**HEWI Color combination (glossy | matt)**



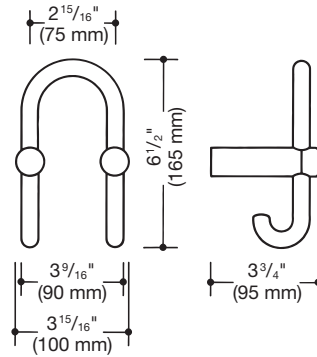
**\*HEWI Colors (glossy | matt)**



Supplied without fixing material.

Item Number

Dimensions in mm / Specification



801.90.032

801.90.033

801.90.034

801.90.035

801.90B032

801.90B033

801.90B034

801.90B035

**HEWI Double coat hook**

- two polyamide support pins with a stirrup-shaped hook
- reduced risk of injury as hooks face inwards towards wall
- 3 15/16" (100 mm) wide, 6 1/2" (165 mm) high and 3 3/4" (95 mm) deep, c to c 2 15/16" (75 mm)

**made of high-quality polyamide**

- hook part in HEWI color 74 (apple green)
- support pins in HEWI color 72 (may green)

- hook part in HEWI color 74 (apple green)
- support pins in HEWI color 36 (coral)

- hook part in HEWI color 55 (aqua blue)
- support pins in HEWI color 50 (steel blue)

- hook part in HEWI color 55 (aqua blue)
- support pins in HEWI color 74 (apple green)

**made of high-quality matt polyamide**

- hook part in HEWI color 74 (apple green)
- support pins in HEWI color 72 (may green)

- hook part in HEWI color 74 (apple green)
- support pins in HEWI color 36 (coral)

- hook part in HEWI color 55 (aqua blue)
- support pins in HEWI color 50 (steel blue)

- hook part in HEWI color 55 (aqua blue)
- support pins in HEWI color 74 (apple green)

**HEWI Color combinations (glossy | matt)**

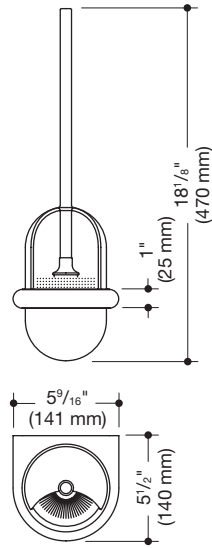
74	74	55	55
72	36	50	74

Supplied without fixing material.









**477.20.101**

**477.20.102**

**477.20.103**

**477.20B101**

**477.20B102**

**477.20B103**

**HEWI Toilet brush unit**

- brush handle with easily replaceable brush head by bayonet fixing
- brush head made of black polyamide, ø 81 mm
- brush container with round bottom and spherical semi-open top in ring-shaped holder, upper part free rotating
- container is removable, but can also be fitted to prevent unauthorised removal
- concealed screw fitting to prevent unauthorised removal
- 5 9/16" (141 mm) wide, 18 1/8" (470 mm) high and 5 1/2" (140 mm) deep

**made of high-quality polyamide**

- brush container in HEWI color 99 (pure white), holder in HEWI color 55 (aqua blue), brush handle in HEWI color 36 (coral)
- brush container in HEWI color 74 (apple green), holder in HEWI color 72 (may green), brush handle in HEWI color 36 (coral)
- brush container in HEWI color 55 (aqua blue), holder in HEWI color 50 (steel blue), brush handle in HEWI color 74 (apple green)

**made of high-quality matt polyamide**

- brush container in HEWI color 99 (pure white), holder in HEWI color 55 (aqua blue), brush handle in HEWI color 36 (coral)
- brush container in HEWI color 74 (apple green), holder in HEWI color 72 (may green), brush handle in HEWI color 36 (coral)
- brush container in HEWI color 55 (aqua blue), holder in HEWI color 50 (steel blue), brush handle in HEWI color 74 (apple green)

**HEWI Toilet brush**

- brush handle with easily replaceable brush head by bayonet fixing
- brush head made of black polyamide
- 18 1/8" (460 mm) long

**477.20.010**

**477.20B010**

- made of high-quality polyamide in 16 HEWI colors

- made of high-quality matt polyamide in 5 HEWI colors

**HEWI Color combinations (glossy | matt)**

<input type="checkbox"/>	<input type="checkbox"/>	<input type="checkbox"/>
99	74	55
<input type="checkbox"/>	<input type="checkbox"/>	<input type="checkbox"/>
55 36	72 36	50 74

**477.20...E04**

**477.20.E03**

**68562**

**9210...**

**HEWI Toilet brush container** see page 187

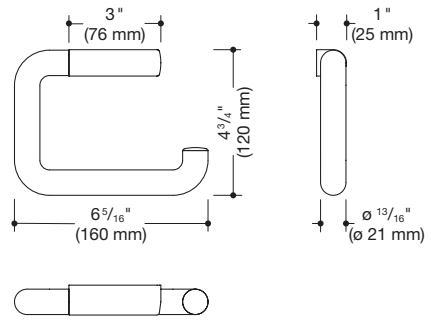
**HEWI Brush handle** see page 187

**HEWI Brush handle, matt** see page 187

**HEWI Brush head** see page 187

Item Number

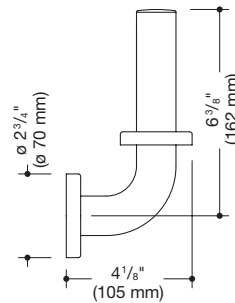
Dimensions in mm / Specification



**HEWI Toilet roll holder**

- concealed screw fitting to prevent unauthorised removal
- 6 5/16" (160 mm) wide, 4 3/4" (120 mm) high, ø 13/16" (21 mm)
- made of high-quality polyamide
- made of high-quality matt polyamide

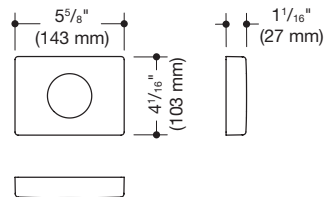
**477.21.100**  
**477.21B100**



**HEWI Spare roll holder**

- right-angled holder pointing upwards with rose fixing
- can hold one spare toilet roll
- anti-theft protection through concealed screw fixing
- 4 1/8" (105 mm) deep, rose ø 2 3/4" (70 mm)
- made of high-quality polyamide
- made of high-quality matt polyamide (color 99 only)

**801.21.401**  
**801.21B401**



**HEWI Hygiene bag dispenser**

- used to hold and remove proprietary hygiene bags made of plastic
- 5 5/8" (143 mm) wide, 4 1/16" (103 mm) high and 1 1/16" (27 mm) deep
- for wall mounting including non-corrosive HEWI fixing material
- made of high-quality polyamide
- made of high-quality matt polyamide

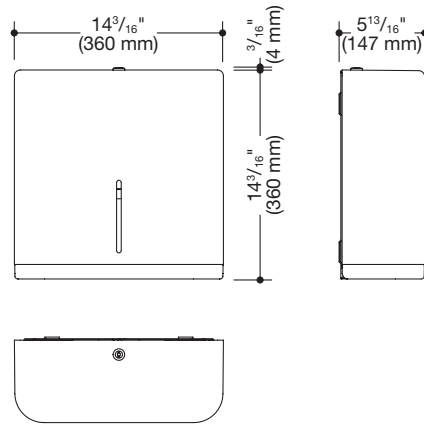
**477.06.750**  
**477.06B750**

**HEWI Colors (glossy | matt)**

- 
- 99 36 74 72 55 50

Item Number

Dimensions in mm / Specification



**HEWI Large toilet roll holder**

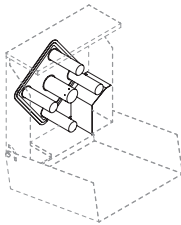
- for holding a standard large toilet roll in diameters from 9 13/16" - 12 5/8" (250 - 320 mm)
- level indicator at the front, for wall mounting
- locking system as protection against misuse
- 14 3/16" (360 mm) wide, 14 3/16" (360 mm) high and 5 13/16" (147 mm) deep
- basic body made of high-quality polyamide in HEWI color 99 (pure white)
- extension possible with carousel 900.21.E01
- including non-corrosive HEWI fixing material

**477.21.60099**

- frame element/opening made of high-quality polyamide in HEWI colors 50 (steel blue), 55 (aqua blue), 72 (may green), 74 (apple green) and 36 (coral)

**477.21B60099**

- frame element/opening made of high-quality, matt polyamide in HEWI colors 50 (steel blue), 55 (aqua blue), 72 (may green), 74 (apple green) and 36 (coral)



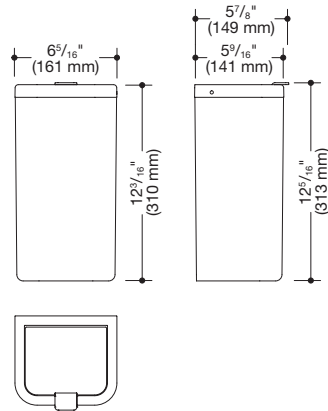
**900.21.E01**

**HEWI Carousel**

- for conversion from large toilet roll holder to quadruple toilet roll holder
- optionally available

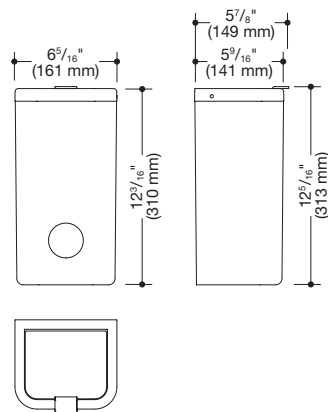
Item Number

Dimensions in mm / Specification



**HEWI Hygiene waste bin**

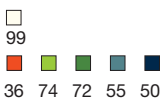
- capacity approx. 203 fl oz (6 litres)
  - invisible, integrated bag holder
  - lid with lifting flap
  - 6 5/16" (161 mm) wide, 12 3/16" (310 mm) high and 5 9/16" (141 mm) deep
  - for wall mounting
  - basic body / lid made of high-quality polyamide in HEWI color 99 (pure white)
  - including non-corrosive HEWI fixing material
- 477.05.20499**
- frame element made of high-quality polyamide in HEWI colors 50 (steel blue), 55 (aqua blue), 72 (may green), 74 (apple green) and 36 (coral)
- 477.05B20499**
- frame element made of high-quality matt polyamide in HEWI colors 50 (steel blue), 55 (aqua blue), 72 (may green), 74 (apple green) and 36 (coral)



**HEWI Hygiene combination**

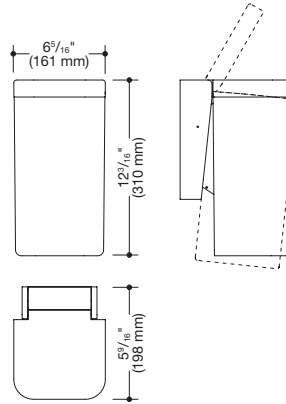
- do., with integrated holder for standard hygiene bags made of synthetic material (max. package size L 5 1/8" x W 3 9/16" x H 13/16" (L 130 x W 90 x H 20 mm))
- 477.05.20599**
- frame element made of high-quality polyamide in HEWI colors 50 (steel blue), 55 (aqua blue), 72 (may green), 74 (apple green) and 36 (coral)
- 477.05B20599**
- frame element made of high-quality matt polyamide in HEWI colors 50 (steel blue), 55 (aqua blue), 72 (may green), 74 (apple green) and 36 (coral)

**HEWI Colors (glossy | matt)**



Item Number

Dimensions in mm / Specification



**HEWI Hygiene waste bin**

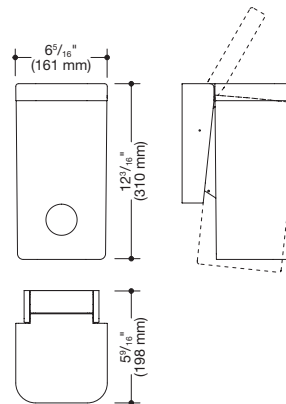
- capacity approx. 203 fl oz (6 litres), for wall mounting, removable
- lid is opened by applying slight pressure to container with the knee or hand, invisible, integrated bag holder
- with self-adhesive label with instructions for knee operation
- 12 3/16" (310 mm) high and 7 13/16" (198 mm) deep and 6 5/16" (161 mm) wide
- basic body made of high-quality polyamide in HEWI color 99 (pure white)
- including non-corrosive HEWI fixing material

**477.05.10199**

- lid made of high-quality polyamide in HEWI colors 50 (steel blue), 55 (aqua blue), 72 (may green), 74 (apple green) and 36 (coral)

**477.05B10199**

- lid made of high-quality matt polyamide in HEWI colors 50 (steel blue), 55 (aqua blue), 72 (may green), 74 (apple green) and 36 (coral)



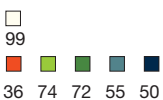
**HEWI Hygiene combination**

- do., with integrated holder for standard hygiene bags made of synthetic material (max. package size L 5 1/8" x W 3 9/16" x H 13/16" (L 130 x W 90 x H 20 mm))
- lid made of high-quality polyamide in HEWI colors 50 (steel blue), 55 (aqua blue), 72 (may green), 74 (apple green) and 36 (coral)
- lid made of high-quality matt polyamide in HEWI colors 50 (steel blue), 55 (aqua blue), 72 (may green), 74 (apple green) and 36 (coral)

**477.05.10299**

**477.05B10299**

**HEWI Colors (glossy | matt)**

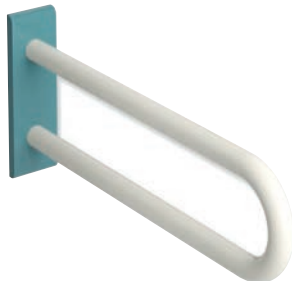


# Accessibility

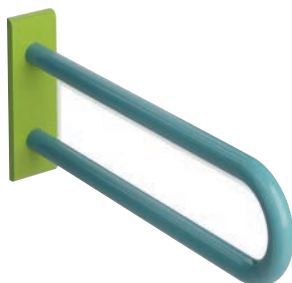
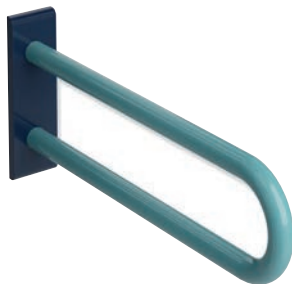
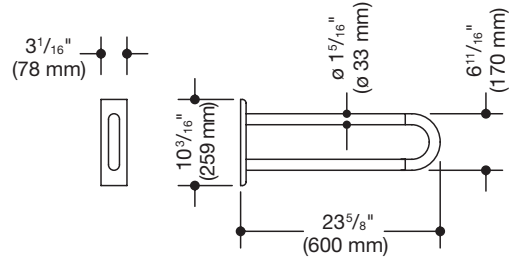


Item Number

Dimensions in mm / Specification



Drill hole



801.50.3000

801.50.3001

801.50.3002

801.50.3003

801.50.3004

801.50B3000

801.50B3001

801.50B3002

801.50B3003

801.50B3004

39006  
68556

**HEWI Stationary support rail**

- loading capacity according to DIN 18040 up to 220.5 lbs (100 kg)
- with continuous, corrosion resistant steel core and wall plate made of polyamide with integrated steel core
- covered, non-corrosive and tested HEWI fixing material for different wall constructions (to be ordered separately)
- 3 1/16" (78 mm) wide and 10 3/16" (259 mm) high, rail ø 1 5/16" (33 mm)

**projection 23 5/8" (600 mm), made of high-quality polyamide**

- support rail in HEWI color 99 (pure white)
- wall plate in HEWI color 55 (aqua blue)
- support rail in HEWI color 74 (apple green)
- wall plate in HEWI color 72 (may green)
- support rail in HEWI color 74 (apple green)
- wall plate in HEWI color 36 (coral)
- support rail in HEWI color 55 (aqua blue)
- wall plate in HEWI color 50 (steel blue)
- support rail in HEWI color 55 (aqua blue)
- wall plate in HEWI color 74 (apple green)

**projection 23 5/8" (600 mm), made of high-quality matt polyamide**

- support rail in HEWI color 99 (pure white)
- wall plate in HEWI color 55 (aqua blue)
- support rail in HEWI color 74 (apple green)
- wall plate in HEWI color 72 (may green)
- support rail in HEWI color 74 (apple green)
- wall plate in HEWI color 36 (coral)
- support rail in HEWI color 55 (aqua blue)
- wall plate in HEWI color 50 (steel blue)
- support rail in HEWI color 55 (aqua blue)
- wall plate in HEWI color 74 (apple green)

**HEWI Masking cap** see page 187

**HEWI Masking cap, matt** see page 187

**HEWI Color combinations (glossy | matt)**

99	74	74	55	55
55	72	36	50	74

**BM10.2 – BM18.2**

**HEWI Fixing material for hinged support rails** to be ordered separately page 169

**Upgrade products for hinged support rails** see page 169

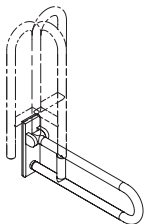
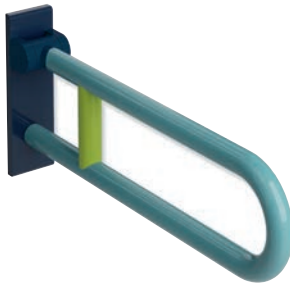
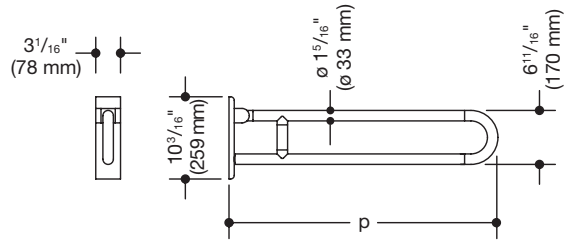


Item Number

Dimensions in mm / Specification



Drill hole



**HEWI Swing-up grab bar, rotatable**

- loading capacity according to DIN 18040 up to 220.5 lbs (100 kg)
- can be folded upwards and, with friction device, downwards
- a turn to left or right locks support in vertical position
- with continuous, corrosion resistant steel core and wall plate made of polyamide with integrated steel core
- covered, non-corrosive and tested HEWI fixing material for different wall constructions (to be ordered separately)
- 3 1/16" (78 mm) wide and 10 3/16" (259 mm) high, rail  $\varnothing$  1 5/16" (33 mm)

**projection 23 5/8" (600 mm), made of high-quality polyamide**

- support rail in HEWI color 99 (pure white)
- wall plate in HEWI color 55 (aqua blue), support in 36 (coral)

**801.50.1000**

- support rail in HEWI color 74 (apple green)
- wall plate in HEWI color 72 (may green), support in 36 (coral)

**801.50.1001**

- support rail in HEWI color 55 (aqua blue)
- wall plate in HEWI color 50 (steel blue), support in 74 (apple green)

**801.50.1002**

**projection 23 5/8" (600 mm), made of high-quality matt polyamide**

- support rail in HEWI color 99 (pure white)
- wall plate in HEWI color 55 (aqua blue), support in 36 (coral)

**801.50B1000**

- support rail in HEWI color 74 (apple green)
- wall plate in HEWI color 72 (may green), support in 36 (coral)

**801.50B1001**

- support rail in HEWI color 55 (aqua blue)
- wall plate in HEWI color 50 (steel blue), support in 74 (apple green)

**801.50B1002**

**projection 27 9/16" (700 mm), made of high-quality polyamide**

- support rail in HEWI color 99 (pure white)
- wall plate in HEWI color 55 (aqua blue), support in 36 (coral)

**801.50.1100**

**projection 27 9/16" (700 mm), made of high-quality matt polyamide**

- support rail in HEWI color 99 (pure white)
- wall plate in HEWI color 55 (aqua blue), support in 36 (coral)

**801.50B1100**

**projection 33 7/16" (850 mm), made of high-quality polyamide**

- support rail in HEWI color 99 (pure white)
- wall plate in HEWI color 55 (aqua blue), support in 36 (coral)

**801.50.1200**

**projection 33 7/16" (850 mm), made of high-quality matt polyamide**

- support rail in HEWI color 99 (pure white)
- wall plate in HEWI color 55 (aqua blue), support in 36 (coral)

**801.50B1200**

**HEWI Color combinations (glossy | matt)**

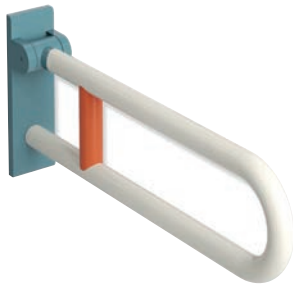
□ 99	□ 74	□ 55
■ 55	■ 36	■ 72
■ 36	■ 72	■ 50
■ 50	■ 74	■ 74

**39006**  
**68556**

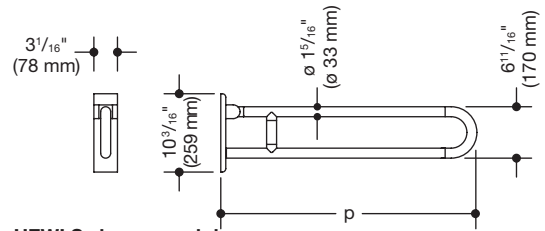
**HEWI Masking cap** see page 187  
**HEWI Masking cap, matt** see page 187

Item Number

Dimensions in mm / Specification



Drill hole



**HEWI Swing-up grab bar**

- loading capacity according to DIN 18040 up to 220.5 lbs (100 kg)
- can be folded upwards and, with friction device, downwards
- with continuous, corrosion resistant steel core and wall plate made of polyamide with integrated steel core
- covered, non-corrosive and tested HEWI fixing material for different wall constructions (to be ordered separately)
- 3 1/16" (78 mm) wide and 10 3/16" (259 mm) high, rail  $\varnothing$  1 5/16" (33 mm)



**801.50.2000**

**projection 23 5/8" (600 mm), made of high-quality polyamide**

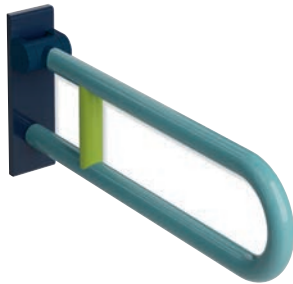
- support rail in HEWI color 99 (pure white)
- wall plate in HEWI color 55 (aqua blue), support in 36 (coral)

**801.50.2001**

- support rail in HEWI color 74 (apple green)
- wall plate in HEWI color 72 (may green), support in 36 (coral)

**801.50.2002**

- support rail in HEWI color 55 (aqua blue)
- wall plate in HEWI color 50 (steel blue), support in 74 (apple green)



**801.50B2000**

**projection 23 5/8" (600 mm), made of high-quality matt polyamide**

- support rail in HEWI color 99 (pure white)
- wall plate in HEWI color 55 (aqua blue), support in 36 (coral)

**801.50B2001**

- support rail in HEWI color 74 (apple green)
- wall plate in HEWI color 72 (may green), support in 36 (coral)

**801.50B2002**

- support rail in HEWI color 55 (aqua blue)
- wall plate in HEWI color 50 (steel blue), support in 74 (apple green)

**801.50.2100**

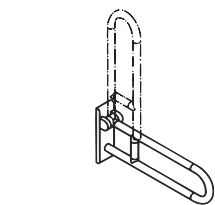
**projection 27 9/16" (700 mm), made of high-quality polyamide**

- support rail in HEWI color 99 (pure white)
- wall plate in HEWI color 55 (aqua blue), support in 36 (coral)

**801.50B2100**

**projection 27 9/16" (700 mm), made of high-quality matt polyamide**

- support rail in HEWI color 99 (pure white)
- wall plate in HEWI color 55 (aqua blue), support in 36 (coral)



**801.50.2200**

**projection 33 7/16" (850 mm), made of high-quality polyamide**

- support rail in HEWI color 99 (pure white)
- wall plate in HEWI color 55 (aqua blue), support in 36 (coral)

**801.50B2200**

**projection 33 7/16" (850 mm), made of high-quality matt polyamide**

- support rail in HEWI color 99 (pure white)
- wall plate in HEWI color 55 (aqua blue), support in 36 (coral)

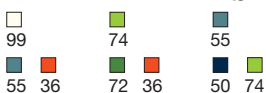
**39006**

**HEWI Masking cap** see page 187

**68556**

**HEWI Masking cap, matt** see page 187

**HEWI Color combinations (glossy | matt)**



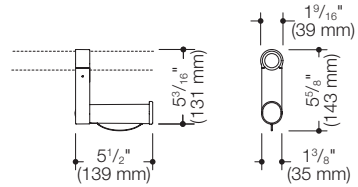
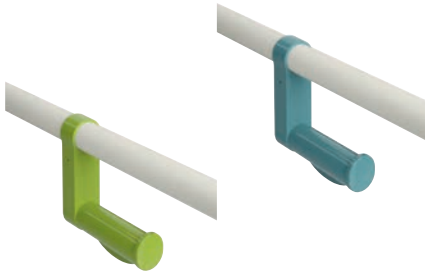
**BM10.2 – BM18.2**

**HEWI Fixing material for hinged support rails** to be ordered separately, see right

**Upgrade products for hinged support rails** see right

Item Number

Dimensions in mm / Specification

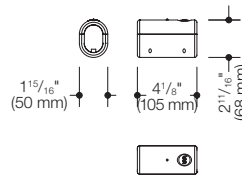
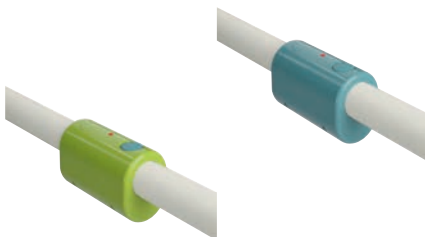


**HEWI Upgrade kit toilet roll holder**

- right angle-shaped toilet roll holder
- with integrated soft, flexible roll brake for commercial toilet paper rolls
- for simple installation and for retrofitting with swing-up grab bars 801...
- 1 9/16" (39 mm) wide, 5 5/8" (143 mm) high, 5 1/2" (139 mm) deep
- made of high-quality polyamide in HEWI colors 55 (aqua blue) and 74 (apple green)
- made of high-quality matt polyamide in HEWI colors 55 (aqua blue) and 74 (apple green)

**801.50.011**

**801.50B011**



**HEWI Upgrade kit WC flushing mechanism (radio-controlled)**

- WC flushing mechanism (radio-controlled) for easy installation and for retrofitting with HEWI swing-up grab bars 801.50...
- 1 15/16" (50 mm) wide, 2 11/16" (68 mm) high, 4 1/8" (105 mm) long
- transmission frequency 868,4 MHz
- suitable for radio-controlled WC flushing systems of Geberit, Mepa, Viega, Sanit, Friatec, TECE and Grohe
- made of high-quality polyamide in HEWI colors 55 (aqua blue) and 74 (apple green)
- made of high-quality matt polyamide in HEWI colors 55 (aqua blue) and 74 (apple green)

**801.50.060**

**801.50B060**

**Fixing material for swing-up grab bars to be ordered separately**

for fixing on walls made of:

**BM17.2**

concrete > C20/C25, national technical approval number: ETA-11/0493

**BM10.2**

concrete > C20/C25

**BM11.2**

autoclaved aerated concrete (> P2)

**BM12.2**

lightweight walls with rear lining made of laminated timber boards ...

**BM13.2**

lightweight walls with integrated steel plates ...

**BM18.2**

hollow concrete block, vertically perforated bricks, solid bricks ..., national technical approval number: ETA-13/1036

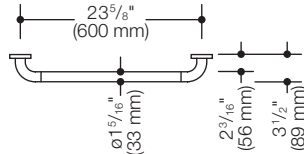
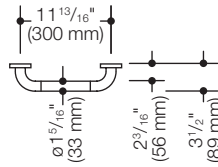
**HEWI Colors (glossy | matt)**





Item Number

Dimensions in mm / Specification



- 801.36.100
- 801.36.1000
- 801.36.1001
- 801.36.1002
- 801.36.1003

**HEWI Grab bar**

- rail with right-angled bends at the ends
- with continuous, corrosion resistant steel core
- mounting with special fixing kit and roses from HEWI
- rail  $\phi$  1 5/16" (33 mm), roses  $\phi$  2 3/4" (70 mm), 3 1/2" (89 mm) deep

**c to c 11 13/16" (300 mm), made of high-quality polyamide**

- rail and roses in HEWI color 99 (pure white)
- rail in HEWI color 74 (apple green), roses in HEWI color 72 (may green)
- rail in HEWI color 74 (apple green), roses in HEWI color 36 (coral)
- rail in HEWI color 55 (aqua blue), roses in HEWI color 50 (steel blue)
- rail in HEWI color 55 (aqua blue), roses in HEWI color 74 (apple green)

**c to c 11 13/16" (300 mm), made of high-quality matt polyamide**

- rail and roses in HEWI color 99 (pure white)
- rail in HEWI color 74 (apple green), roses in HEWI color 72 (may green)
- rail in HEWI color 74 (apple green), roses in HEWI color 36 (coral)
- rail in HEWI color 55 (aqua blue), roses in HEWI color 50 (steel blue)
- rail in HEWI color 55 (aqua blue), roses in HEWI color 74 (apple green)



- 801.36.130
- 801.36.1300
- 801.36.1301
- 801.36.1302
- 801.36.1303

**c to c 23 5/8" (600 mm), made of high-quality polyamide**

- rail and roses in HEWI color 99 (pure white)
- rail in HEWI color 74 (apple green), roses in HEWI color 72 (may green)
- rail in HEWI color 74 (apple green), roses in HEWI color 36 (coral)
- rail in HEWI color 55 (aqua blue), roses in HEWI color 50 (steel blue)
- rail in HEWI color 55 (aqua blue), roses in HEWI color 74 (apple green)

**c to c 23 5/8" (600 mm), made of high-quality matt polyamide**

- rail and roses in HEWI color 99 (pure white)
- rail in HEWI color 74 (apple green), roses in HEWI color 72 (may green)
- rail in HEWI color 74 (apple green), roses in HEWI color 36 (coral)
- rail in HEWI color 55 (aqua blue), roses in HEWI color 50 (steel blue)
- rail in HEWI color 55 (aqua blue), roses in HEWI color 74 (apple green)



- 801.36B130
- 801.36B1300
- 801.36B1301
- 801.36B1302
- 801.36B1303

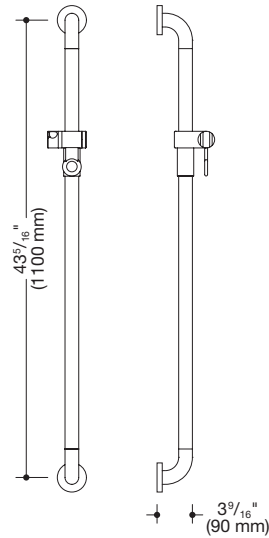
**HEWI Color combinations (glossy | matt)**

74	74	55	55
72	36	50	74

**Fixing material BM211** included in delivery

Item Number

Dimensions in mm / Specification



**HEWI Grab bar with shower head holder**

- rail system with shower head holder and rose fixings
- with corrosion-resistant steel insert
- suitable for various manufacturers' shower heads
- shower head holder adjustable to required angle and height
- c to c 43 5/16" (1100 mm), 3 9/16" (90 mm) deep, rail ø 1 5/16" (33 mm), roses ø 2 3/4" (70 mm)

**made of high-quality polyamide**

- rail and roses in HEWI color 99 (pure white)
- shower head holder in HEWI color 55 (aqua blue)
- rail and roses in HEWI color 99 (pure white)
- shower head holder in HEWI color 36 (coral)

**made of high-quality matt polyamide**

- rail and roses in HEWI color 99 (pure white)
- shower head holder in HEWI color 55 (aqua blue)
- rail and roses in HEWI color 99 (pure white)
- shower head holder in HEWI color 36 (coral)

477.33.103

477.33.104

477.33B103

477.33B104

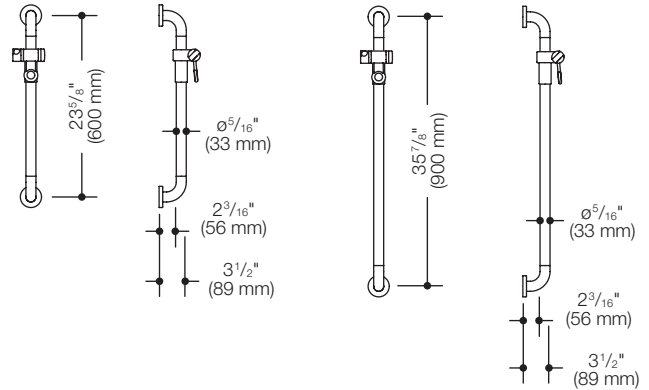
**HEWI Color combinations (glossy | matt)**

<input type="checkbox"/>	<input type="checkbox"/>
99	99
<input checked="" type="checkbox"/>	<input checked="" type="checkbox"/>
55	36

**Fixing material BM211** included in delivery

Item Number

Dimensions in mm / Specification



**HEWI Grab bar with shower head holder**

- shower head holder adjustable to required angle and height
- conical adapter on shower head holder facilitates accommodation of handspray
- with continuous, corrosion resistant steel core
- mounting with special fixing kit and roses from HEWI
- 3 1/2" (89 mm) deep, rail ø 1 5/16" (33 mm), roses ø 2 3/4" (70 mm)

**Please note**

**801.33B...**

Functional area of shower head holder glossy.

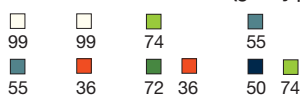
**made of high-quality polyamide**

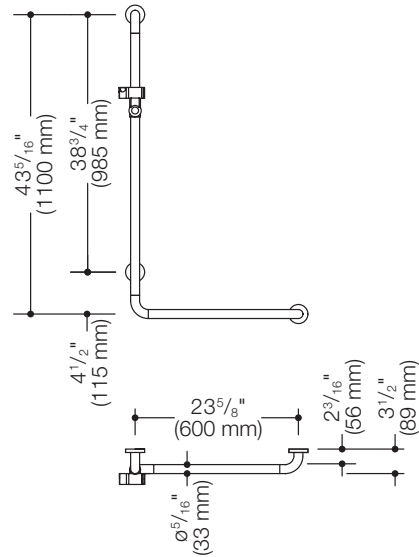
<b>c to c</b>	rail and roses in HEWI color 99 (pure white) shower head holder in HEWI color 55 (aqua blue)	rail and roses in HEWI color 99 (pure white) shower head holder in HEWI color 36 (coral)	rail in HEWI color 74 (apple green) roses in HEWI color 72 (may green) shower head holder in HEWI color 36 (coral)	rail in HEWI color 55 (aqua blue) roses in HEWI color 50 (steel blue) shower head holder in HEWI color 74 (apple green)
23 5/8" (600 mm)			<b>801.33.1000</b>	<b>801.33.1001</b>
35 7/16" (900 mm)	<b>801.33.1100</b>	<b>801.33.1101</b>	<b>801.33.1102</b>	<b>801.33.1103</b>

**made of high-quality matt polyamide**

<b>c to c</b>	rail and roses in HEWI color 99 (pure white) shower head holder in HEWI color 55 (aqua blue)	rail and roses in HEWI color 99 (pure white) shower head holder in HEWI color 36 (coral)	rail in HEWI color 74 (apple green) roses in HEWI color 72 (may green) shower head holder in HEWI color 36 (coral)	rail in HEWI color 55 (aqua blue) roses in HEWI color 50 (steel blue) shower head holder in HEWI color 74 (apple green)
23 5/8" (600 mm)			<b>801.33B1000</b>	<b>801.33B1001</b>
35 7/16" (900 mm)	<b>801.33B1100</b>	<b>801.33B1101</b>	<b>801.33B1102</b>	<b>801.33B1103</b>

**HEWI Color combinations (glossy | matt)**





**HEWI L-shaped grab bar with shower head holder**

- shower head holder adjustable to required angle and height
- conical adapter on shower head holder facilitates accommodation of handspray
- mounting with special fixing kit and roses from HEWI
- can be mounted in left hand or right hand position
- rails  $\varnothing$  1 5/16" (33 mm), roses  $\varnothing$  2 3/4" (70 mm)

**When using with removable hanging seats, please note!**

Compatibility testing required. A detailed list of the possible combinations of support rails, L-shaped support rails and shower head rails with matching removable hanging seats can be found in our online catalogue in the download area of the respective product.

**made of high-quality polyamide**

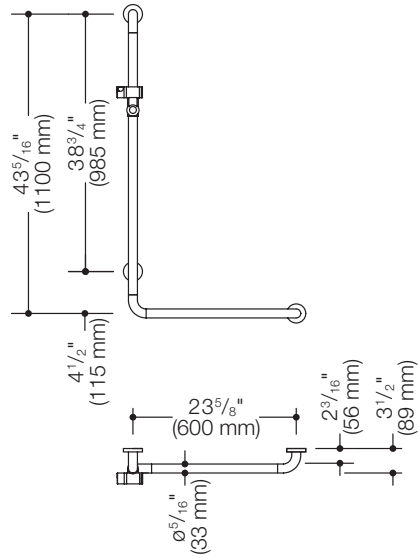
c to c	with continuous, corrosion resistant <b>steel core</b> and <b>fixing roses made of steel</b> , rails and roses in HEWI color 99 (pure white), shower head holder in HEWI color 55 (aqua blue)	with continuous, corrosion resistant <b>steel core</b> and <b>fixing roses made of steel</b> , rails and roses in HEWI color 99 (pure white), shower head holder in HEWI color 36 (coral)	A1 with corrosion resistant <b>steel core</b> and W1 with <b>aluminum core</b> , steel reinforced end bends and <b>fixing roses made of synthetic material</b> , rails and roses in HEWI color 99 (pure white), shower head holder in HEWI color 55 (aqua blue)	A1 with corrosion resistant <b>steel core</b> and W1 with <b>aluminum core</b> , steel reinforced end bends and <b>fixing roses made of synthetic material</b> , rails and roses in HEWI color 99 (pure white), shower head holder in HEWI color 36 (coral)
A1 = 43 5/16" (1100 mm) W1 = 23 5/8" (600 mm)	<b>801.33.2100</b>	<b>801.33.2101</b>	<b>801.33.2160</b>	<b>801.33.2161</b>

**Fixing material BM211** included in delivery



Item Number

Dimensions in mm / Specification



**HEWI L-shaped grab bar with shower head holder**

- shower head holder adjustable to required angle and height
- conical adapter on shower head holder facilitates accommodation of handspray
- mounting with special fixing kit and roses from HEWI
- can be mounted in left hand or right hand position
- rails  $\varnothing$  1 5/16" (33 mm), roses  $\varnothing$  2 3/4" (70 mm)

**When using with removable hanging seats, please note!**

Compatibility testing required. A detailed list of the possible combinations of support rails, L-shaped support rails and shower head rails with matching removable hanging seats can be found in our online catalogue in the download area of the respective product.

**Please note**  
**801.35B...**

Vertical rail is glossy.

**made of high-quality matt polyamide**

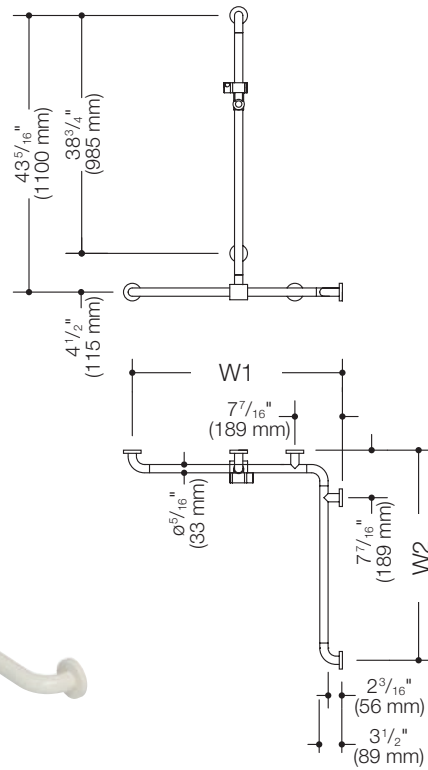
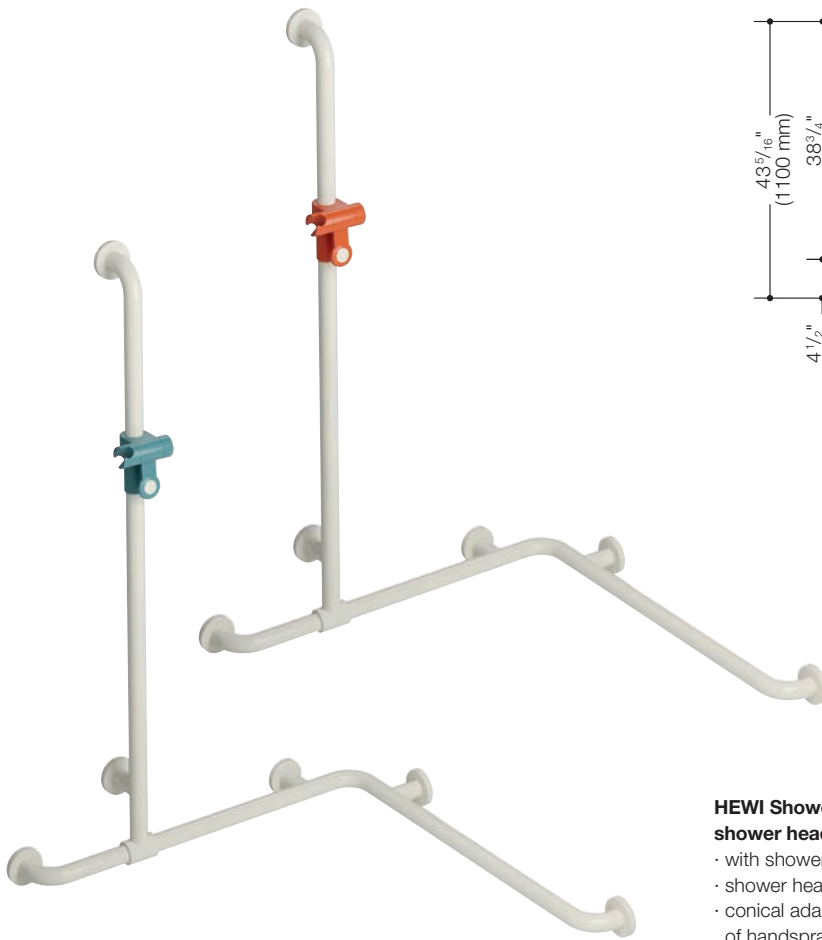
	with continuous, corrosion resistant <b>steel core</b> and <b>fixing roses made of steel</b> , rails and roses in HEWI color 99 (pure white), shower head holder in HEWI color 55 (aqua blue)	with continuous, corrosion resistant <b>steel core</b> and <b>fixing roses made of steel</b> , rails and roses in HEWI color 99 (pure white), shower head holder in HEWI color 36 (coral)	A1 with corrosion resistant <b>steel core</b> and W1 with <b>aluminum core</b> , steel reinforced end bends and <b>fixing roses made of synthetic material</b> , rails and roses in HEWI color 99 (pure white), shower head holder in HEWI color 55 (aqua blue)	A1 with corrosion resistant <b>steel core</b> and W1 with <b>aluminum core</b> , steel reinforced end bends and <b>fixing roses made of synthetic material</b> , rails and roses in HEWI color 99 (pure white), shower head holder in HEWI color 36 (coral)
<b>c to c</b>				
A1 = 43 5/16" (1100 mm) W1 = 23 5/8" (600 mm)	<b>801.33B2100</b>	<b>801.33B2101</b>	<b>801.33B2160</b>	<b>801.33B2161</b>

**HEWI Color combinations (glossy | matt)**



Item Number

Dimensions in mm / Specification



**HEWI Shower grab bar with vertical adjustable support bar and shower head holder**

- with shower head rail that can be moved to the side (for installation)
- shower head holder adjustable to required angle and height
- conical adapter on shower head holder facilitates accommodation of handspray
- mounting with special fixing kit and roses from HEWI
- can be mounted in left hand or right hand position
- rails  $\varnothing$  1 5/16" (33 mm), roses  $\varnothing$  2 3/4" (70 mm)

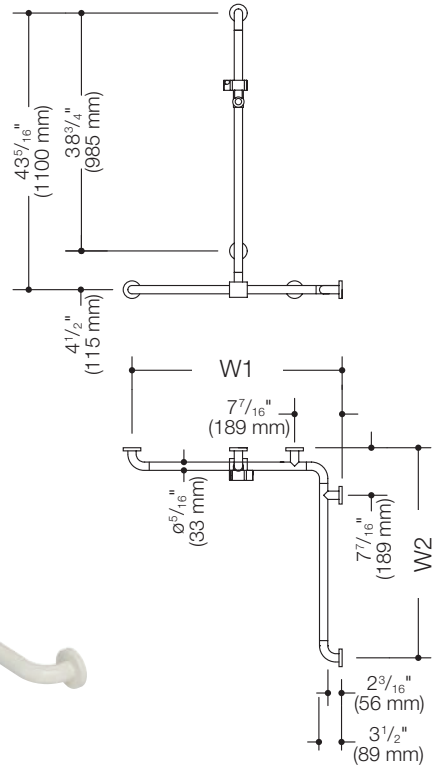
made of high-quality polyamide

	with continuous, corrosion resistant <b>steel core</b> and <b>fixing roses made of steel</b> , rails and roses in HEWI color 99 (pure white), shower head holder in HEWI color 55 (aqua blue)	with continuous, corrosion resistant <b>steel core</b> and <b>fixing roses made of steel</b> , rails and roses in HEWI color 99 (pure white), shower head holder in HEWI color 36 (coral)	A1 with corrosion resistant <b>steel core</b> and W1/W2 with <b>aluminum core</b> , steel reinforced end bends and <b>fixing roses made of synthetic material</b> , rails and roses in HEWI color 99 (pure white), shower head holder in HEWI color 55 (aqua blue)	A1 with corrosion resistant <b>steel core</b> and W1/W2 with <b>aluminum core</b> , steel reinforced end bends and <b>fixing roses made of synthetic material</b> , rails and roses in HEWI color 99 (pure white), shower head holder in HEWI color 36 (coral)
<b>c to c</b>				
A1 = 43 5/16" (1100 mm) W1/W2 = 30" (762 mm)	<b>801.35.3100</b>	<b>801.35.3101</b>	<b>801.35.3160</b>	<b>801.35.3161</b>
A1 = 43 5/16" (1100 mm) W1/W2 = 37 7/8" (962 mm)	<b>801.35.3200</b>	<b>801.35.3201</b>		

Fixing material **BM211** included in delivery

Item Number

Dimensions in mm / Specification



**Please note**  
**801.35B...**

Vertical rail is glossy.

**made of high-quality matt polyamide**

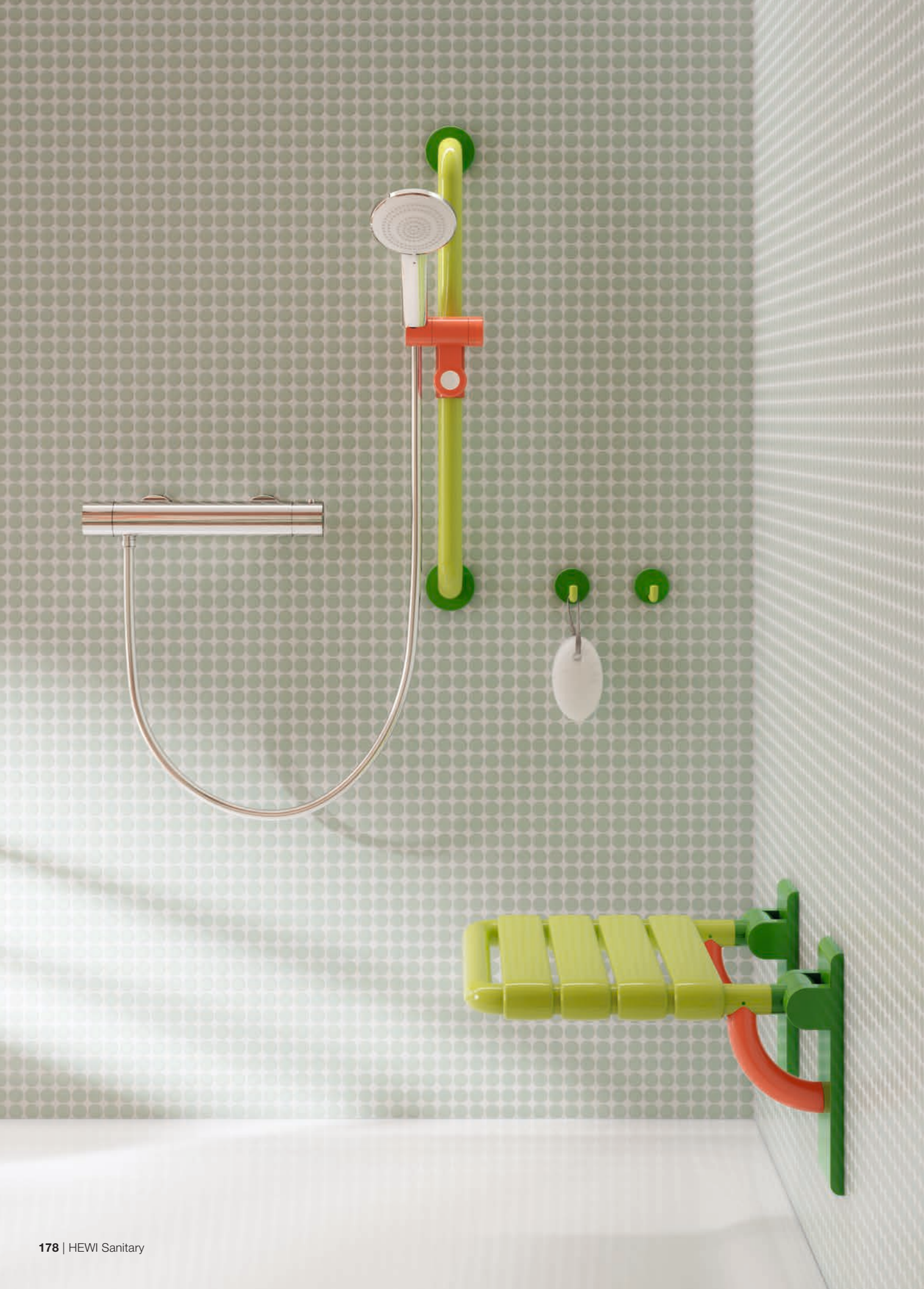
**HEWI Shower grab bar with vertical adjustable support bar and shower head holder**

- with shower head rail that can be moved to the side (for installation)
- shower head holder adjustable to required angle and height
- conical adapter on shower head holder facilitates accommodation of handspray
- mounting with special fixing kit and roses from HEWI
- can be mounted in left hand or right hand position
- rails  $\varnothing$  1 5/16" (33 mm), roses  $\varnothing$  2 3/4" (70 mm)

	with continuous, corrosion resistant <b>steel core</b> and <b>fixing roses made of steel</b> , rails and roses in HEWI color 99 (pure white), shower head holder in HEWI color 55 (aqua blue)	with continuous, corrosion resistant <b>steel core</b> and <b>fixing roses made of steel</b> , rails and roses in HEWI color 99 (pure white), shower head holder in HEWI color 36 (coral)	A1 with corrosion resistant <b>steel core</b> and W1/W2 with <b>aluminum core</b> , steel reinforced end bends and <b>fixing roses made of synthetic material</b> , rails and roses in HEWI color 99 (pure white), shower head holder in HEWI color 55 (aqua blue)	A1 with corrosion resistant <b>steel core</b> and W1/W2 with <b>aluminum core</b> , steel reinforced end bends and <b>fixing roses made of synthetic material</b> , rails and roses in HEWI color 99 (pure white), shower head holder in HEWI color 36 (coral)
<b>c to c</b>				
A1 = 43 5/16" (1100 mm) W1/W2 = 30" (762 mm)	<b>801.35B3100</b>	<b>801.35B3101</b>	<b>801.35B3160</b>	<b>801.35B3161</b>
A1 = 43 5/16" (1100 mm) W1/W2 = 37 7/8" (962 mm)	<b>801.35B3200</b>	<b>801.35B3201</b>		

**HEWI Color combinations (glossy | matt)**

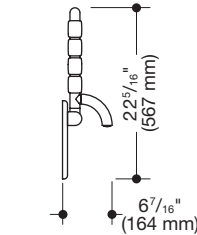
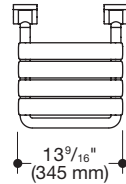
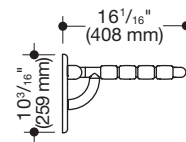
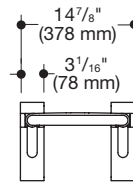
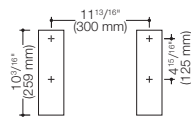
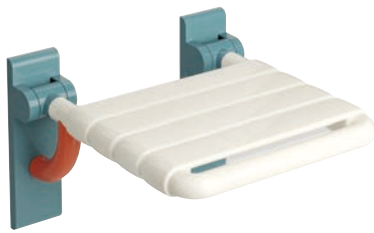
<input type="checkbox"/> 99	<input type="checkbox"/> 99
<input type="checkbox"/> 55	<input type="checkbox"/> 36



Item Number

Dimensions in mm / Specification

Drill hole



**HEWI Folding shower seat**

- can be folded up
- inclination of seat adjustable
- with continuous, corrosion resistant steel core
- wall plate made of polyamide with integrated steel core
- maximum loading capacity 330.7 lbs (150 kg)
- covered, non-corrosive and tested HEWI fixing material for different wall constructions (to be ordered separately)
- seat 13 9/16" (345 mm) wide and 16 1/16" (408 mm) deep
- seat slats 2 3/16" (55 mm) wide

**made of high-quality polyamide**

- wall plate in HEWI color 55 (aqua blue), seat in HEWI color 99 (pure white), bend in HEWI color 36 (coral)

**801.51.2000**

- wall plate in HEWI color 72 (may green), seat in HEWI color 74 (apple green), bend in HEWI color 36 (coral)

**801.51.2001**

- wall plate in HEWI color 50 (steel blue), seat in HEWI color 55 (aqua blue), bend in HEWI color 74 (apple green)

**801.51.2002**



**made of high-quality matt polyamide**

- wall plate in HEWI color 55 (aqua blue), seat in HEWI color 99 (pure white), bend in HEWI color 36 (coral)

**801.51B2000**

- wall plate in HEWI color 72 (may green), seat in HEWI color 74 (apple green), bend in HEWI color 36 (coral)

**801.51B2001**

- wall plate in HEWI color 50 (steel blue), seat in HEWI color 55 (aqua blue), bend in HEWI color 74 (apple green)

**801.51B2002**

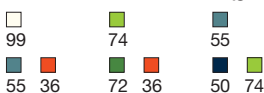
**39006**

**HEWI Masking cap** see page 187

**68556**

**HEWI Masking cap, matt** see page 187

**HEWI Color combinations (glossy | matt)**



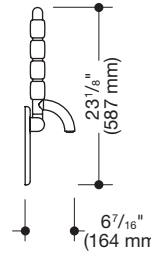
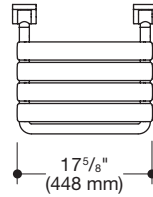
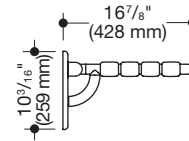
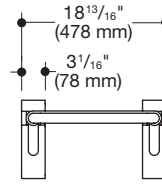
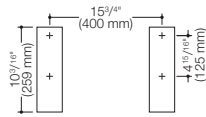
**BM20.4 – BM28.4**

**HEWI Fixing material for hinged seats** to be ordered separately see page 180

Item Number

Dimensions in mm / Specification

Drill hole



**HEWI Folding shower seat**

- can be folded up
- inclination of seat adjustable
- with continuous, corrosion resistant steel core
- wall plate made of polyamide with integrated steel core
- maximum loading capacity 330.7 lbs (150 kg)
- covered, non-corrosive and tested HEWI fixing material for different wall constructions (to be ordered separately)
- seat 17 5/8" (448 mm) wide and 16 7/8" (428 mm) deep
- seat slats 2 3/16" (55 mm) wide

**801.51.2100**

- made of high-quality polyamide
- wall plate in HEWI color 55 (aqua blue), seat in HEWI color 99 (pure white), bend in HEWI color 36 (coral)

**801.51B2100**

- made of high-quality matt polyamide
- wall plate in HEWI color 55 (aqua blue), seat in HEWI color 99 (pure white), bend in HEWI color 36 (coral)

**39006**

**HEWI Masking cap** see page 187

**68556**

**HEWI Masking cap, matt** see page 187

**Fixing material for hinged seats to be ordered separately**

for fixing on walls made of:

**BM27.4**

concrete > C20/C25, national technical approval number: ETA-11/0493

**BM20.4**

concrete > C20/C25

**BM21.4**

autoclaved aerated concrete (> P2)

**BM22.4**

lightweight walls with rear lining made of laminated timber boards ...

**BM23.4**

lightweight walls with integrated steel plates ...

**BM28.4**

hollow concrete block, vertically perforated bricks, solid bricks ..., national technical approval number: ETA-13/1036

**HEWI Color combination (glossy | matt)**

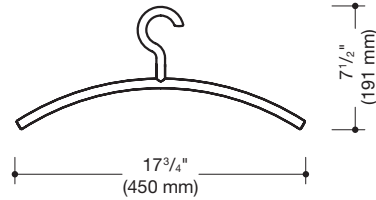
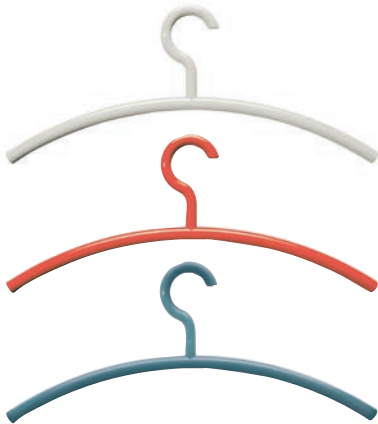


# Additional products



Item Number

Dimensions in mm / Specification



**HEWI Coat hanger set**

- $\varnothing$  5/8" (16 mm), 17 3/4" (450 mm) long and 7 1/2" (191 mm) high
- suitable for HEWI rails  $\varnothing$  1 5/16" (33 mm)
- with open fixed hook
- packing unit 3 pieces (different colors)

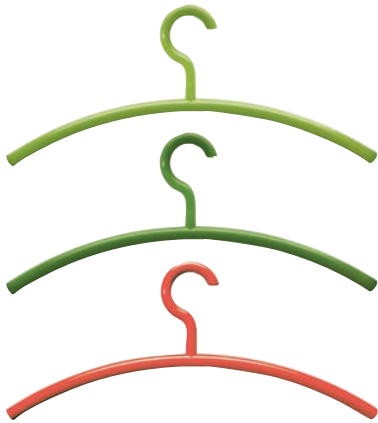
**made of high-quality polyamide in 3 HEWI color combinations**

- one hanger each in HEWI color 99 (pure white), 55 (aqua blue) and 36 (coral)
- one hanger each in HEWI color 74 (apple green), 72 (may green) and 36 (coral)
- one hanger each in HEWI color 55 (aqua blue), 50 (steel blue) and 74 (apple green)

570.99.003

570.99.004

570.99.005



570.99B003

570.99B004

570.99B005

**made of high-quality matt polyamide in 3 HEWI color combinations**

- one hanger each in HEWI color 99 (pure white), 55 (aqua blue) and 36 (coral)
- one hanger each in HEWI color 74 (apple green), 72 (may green) and 36 (coral)
- one hanger each in HEWI color 55 (aqua blue), 50 (steel blue) and 74 (apple green)



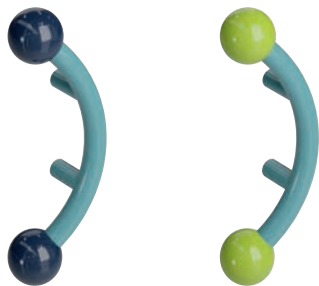
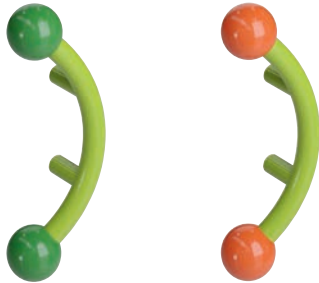
**HEWI Color combinations (glossy | matt)**



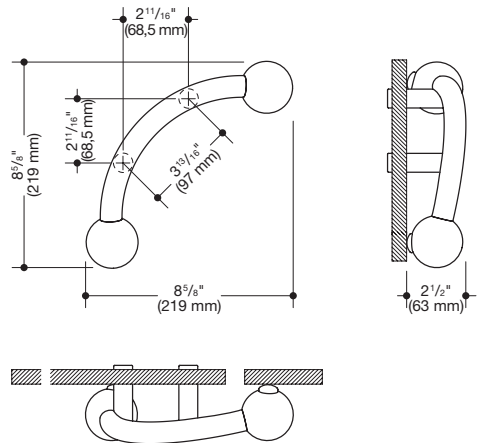


Item Number

Dimensions in mm / Specification



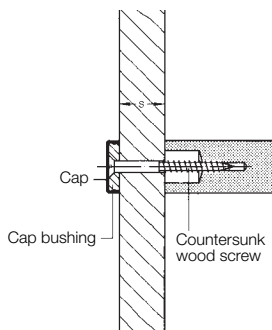
**550.23T.41**  
**550.23BT.41**



**HEWI Pull handle**

- for cubicle fittings in nursery schools
- handle  $\varnothing$  7/8" (23 mm), ball knob  $\varnothing$  2 3/16" (55 mm)
- with black bumper
- supplied with fixing type BA20.4 (see bottom)
- made of high-quality polyamide
- made of high-quality matt polyamide

Please advise door thickness when ordering.  
All color combinations are available.



**BA20.4**

**BA20.4B**

**HEWI Fixing type 20.4**

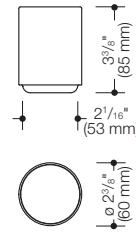
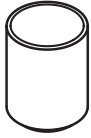
- for rear-mounting using a blind rose fitting on partition wall systems
- fixing material included (screw length = door thickness + 35 mm)
- for pull handle 550.23T.41
- rose cap made of high-quality polyamide
- for pull handle 550.23BT.41
- rose cap made of high-quality matt polyamide

**HEWI Color combinations (glossy | matt)**

74	74	55	55
72	36	50	74

Item Number

Dimensions in mm / Specification

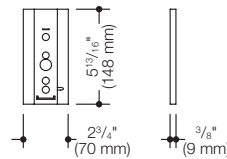


41382  
72320

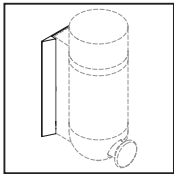
**HEWI Tumbler**  
for tumbler rack 800.03.4.../ 800.03B4...  
·  $\varnothing$  2 3/8" (60 mm), 3 1/4" (83 mm) high  
· made of high-quality polyamide in 16 HEWI colors  
· made of high-quality matt polyamide in 16 HEWI colors



New 477.06.E04

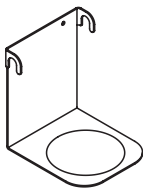


**HEWI Wall-mounted base**  
for soap dispenser 477.06.1...  
· wall-mounted base to conceal drill holes  
· made of high-quality polyamide in 16 HEWI colors

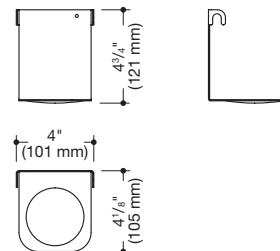


New 477.06BE04

**for soap dispenser 477.06B1...**  
· do., made of high-quality matt polyamide in HEWI colors  
99 (pure white), 98 (signal white), 97 (light grey), 95 (stone grey), 92 (anthracite grey), 90 (jet black), 74 (apple green) and 55 (aqua blue)



New 477.06.E0360



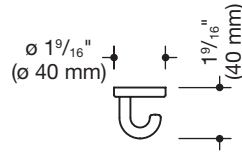
**HEWI Drip tray**  
for soap dispenser 477.06.101..., 477.06B101...,  
**SENSORIC soap dispenser 477.06.102..., 477.06B102...,**  
**SENSORIC foam soap dispenser 477.06.103..., 477.06B103...,**  
**SENSORIC disinfectant dispenser 477.06.104..., 477.06B104...**  
· serves to collect dripping disinfectant and soap  
· made of metal, powder-coated in HEWI colors DX (matt white) and FV (matt pure white)  
· 4" (101 mm) wide, 4 3/4" (121 mm) high and 4 1/8" (105 mm) deep

5 matt HEWI colors



Item Number

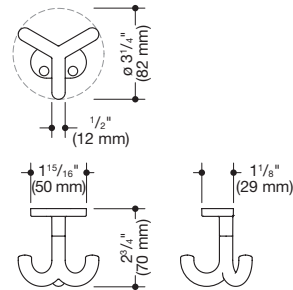
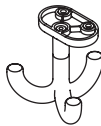
Dimensions in mm / Specification



**477.90.040**  
**477.90B040**

**HEWI Hook**

- can be installed under shelf
- concealed screw fitting to prevent unauthorised removal
- 1 9/16" (40 mm) high, rose  $\varnothing$  1 9/16" (40 mm)
- made of high-quality polyamide in 16 HEWI colors
- made of high-quality matt polyamide in 16 HEWI colors



**477.90.054**

**HEWI Triple hook**

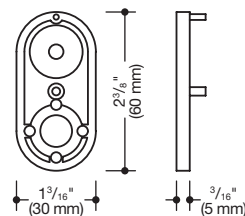
**for tumbler rack with hooks 800.03.402 and 800.03.412 and shelf 800.03.404 and 800.03.414**

- for screwing on from underneath
- rotatable, 2 3/4" (70 mm) high, oval rose: 1 15/16" (50 mm) wide and 1 1/8" (29 mm) deep
- made of high-quality polyamide in 16 HEWI colors

**New** **477.90B054**

**for tumbler rack with hooks 800.03B402 and 800.03B412 and shelf 800.03B404 and 800.03B414**

- do., made of high-quality matt polyamide in 16 HEWI colors



**68557**

**HEWI Extension piece**

**for mirror clip 477.01...100, 800.01.1009...**

- to compensate tile jumps, 3/16" (5 mm) thick
- more as needed extension pieces can be glued to each other
- made of high-quality polyamide in 16 HEWI colors
- made of high-quality matt polyamide in 5 HEWI colors

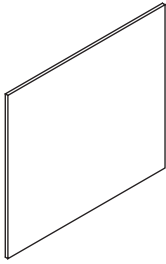
Please advise color when ordering.

**14 HEWI colors**



Item Number

Dimensions in mm / Specification

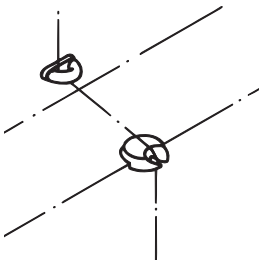


21755

**HEWI Plate glass mirror with rigging**

**for adjustable mirror 801.01...100 and 801.01.200**

- 23 5/8" (600 mm) wide, 21 1/4" (540 mm) high and 1/4" (6 mm) thick
- with rounded edges and integrated splinter protection foil
- mirror is made of plate glass



54436  
68559

**HEWI Cord re-routing**

**for adjustable mirror 801.01...100 and 801.01...400**

- to guiding and deflecting the cord of the adjustable mirrors
- supplied with fixing material
- made of high-quality polyamide in 16 HEWI colors
- made of high-quality matt polyamide in 6 HEWI colors

Please advise color when ordering.



25244  
68555

**HEWI Rotating handle with cord**

**for adjustable mirror 801.01...100 and 801.01...400**

- for adjusting inclination of the adjustable mirrors
- supplied with fixing material
- made of high-quality polyamide in 16 HEWI colors
- made of high-quality matt polyamide in 6 HEWI colors

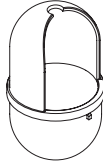
Please advise color when ordering.

**5 matt HEWI colors**



Item Number

Dimensions in mm / Specification



**477.20.E04**  
**477.20BE04**

**HEWI Toilet brush container**  
**for toilet brush unit 477.20...100**

- made of high-quality polyamide in 16 HEWI colors
- made of high-quality matt polyamide in 5 HEWI colors



**477.20.E03**  
**68562**

**HEWI Brush handle**  
**for toilet brush unit 477.20... and toilet brush 477.20...010**

- suitable for brush head 921037, 921038 and 921044
- with bayonet fixing
- made of high-quality polyamide in 16 HEWI colors
- made of high-quality matt polyamide in 5 HEWI colors

Please advise color when ordering.



**921037**  
**921044**  
**921038**

**HEWI Brush head**  
**for toilet brush unit 477.20... and toilet brush 477.20...**

- for easy replacement on toilet brush by bayonet fixing
- with black bristles
- ø 3 3/16" (81 mm)

packing unit 1 pc  
packing unit 5 pcs  
packing unit 25 pcs



**39006**  
**68556**

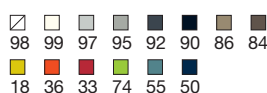
**HEWI Masking cap**  
**for hinged support rail 801.50... and hinged seat 801.51...**

- two caps to cover the fixing points
- ø 7/8" (23 mm)
- delivery in pairs

- made of high-quality polyamide in 16 HEWI colors
- made of high-quality matt polyamide in 5 HEWI colors

Please advise color when ordering.

**14 HEWI colors**



## Range 477/801



### PRODUCT CHARACTERISTICS

- Range 477/801 is the classic product in a barrierfree sanitary room
- High product range depth enables precise solutions
- Variable rail system: Shower grab bars, L-shaped grab bars, grab bars with shower head holder and shower curtain rails are available made to measure (from unit quantity 1/fixed price)
- Range 477/801 comprises solutions for special application areas

### RECOMMENDED APPLICATION AREAS

Professional Care



# Range 477/801

## DESIGN

HEWI, Bad Arolsen

## MATERIAL AND SURFACES

Polyamide in selected HEWI colors with high gloss or matt surface finish, inserts optionally made of glass or polyamide.

## ACCESSORIES

Product range	190 – 191
Basin area	195 – 209
Toilet area	210 – 217
Shower and bath area	218 – 222

## ACCESSIBILITY

Product range	192 – 193
Sit	223 – 230
Support	231 – 236
Grip	237 – 249
Spare parts	250 – 252











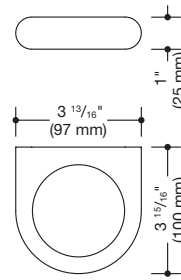


Range 477/801  
Accessories



Item Number

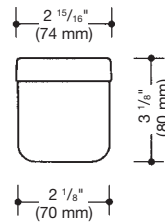
Dimensions / Specification



**477.00.100**  
**477.00B100**

**HEWI Holder**

- ring-shaped wall bracket
- functions as a wall bracket for tumbler
- 3 13/16" (97 mm) wide, 1" (25 mm) high and 3 15/16" (100 mm) deep, insert opening  $\varnothing$  2 15/16" (74 mm)
- made of high-quality polyamide in 16 HEWI colors
- made of high-quality matt polyamide in 5 HEWI colors



**477.04.020**  
**477.04B020**

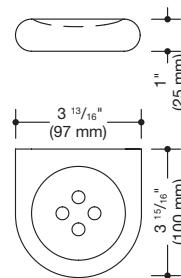
**HEWI Tumbler with flat bottom**

- round tumbler with flat base
- free-standing, suitable insert for wall bracket (477.00.100)
- 3 1/8" (80 mm) high and  $\varnothing$  2 15/16" (74 mm)
- made of high-quality polyamide in 16 HEWI colors
- made of high-quality matt polyamide in 5 HEWI colors

**477.04.02005**

**HEWI Glass tumbler, flat bottom**

- same as above, made of opaque white glass



**477.02.100**  
**477.02B100**

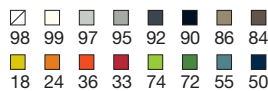
**HEWI Soap dish**

- soap dish with nubs
- locking system to prevent unauthorised removal
- 3 13/16" (97 mm) wide, 1" (25 mm) high and 3 15/16" (100 mm) deep
- made of high-quality polyamide in 16 HEWI colors
- made of high-quality matt polyamide in 5 HEWI colors

**5 matt HEWI colors**

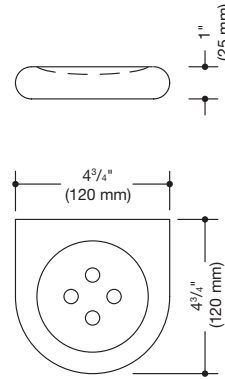


**16 HEWI colors**



Item Number

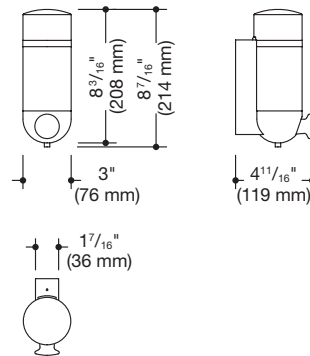
Dimensions / Specification



**HEWI Soap dish**

- soap dish with nubs
- locking system to prevent unauthorised removal
- 4 3/4" (120 mm) wide, 1" (25 mm) high and 4 3/4" (120 mm) deep
- made of high-quality polyamide in 16 HEWI colors
- made of high-quality matt polyamide in 5 HEWI colors

**477.02.200**  
**477.02B200**



**HEWI Soap dispenser**

- cylindrical container in ringshaped wall-mounted holder
- soap dosage control by means of push-button on front
- allows one-hand operation
- concealed screw fitting to prevent unauthorised removal
- lockable container lid
- wall-mounted base to conceal drill holes to be ordered separately (477.06.E04/477.06BE04)
- 3" (76 mm) wide, 8 3/16" (208 mm) high, 4 11/16" (119 mm) deep, container ø 2 15/16" (75 mm)
- capacity 16.7 fl oz (500 ml)
- wall-mounted base and holder made of high-quality polyamide
- push-button in HEWI color 92 (anthracite gray)
- container and lid made of opaque white transparent synthetic material
- not suitable for disinfectant!
- made of high-quality polyamide in 16 HEWI colors
- made of high-quality matt polyamide in 5 HEWI colors

**477.06.10005**  
**477.06B10005**

**477.06.E04**  
**477.06BE04**

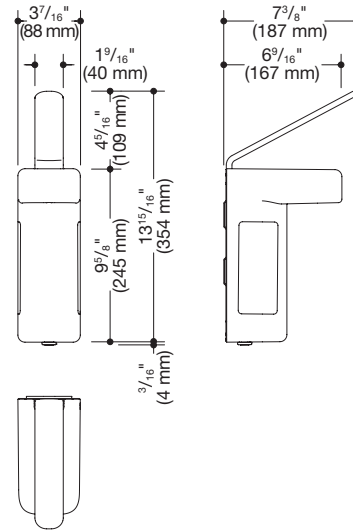
**HEWI Wall-mounted base f. 477.06.10005** see page 250  
**HEWI Wall-mounted base f. 477.06B10005** see page 250

5 matt HEWI colors



Item Number

Dimensions / Specification



**HEWI Disinfectant/soap dispenser**

- with viewing windows on the sides for monitoring the fill level
- for dispensing controlled quantities of chlorine-free, alcohol-based hand disinfectants or liquid soaps
- for 16.7 fl oz (500 ml) Euro standard bottles
- the disposable bottle are easy to replace from the front
- dispenser with long lever, lockable
- dosing quantity adjustable in several steps: 0.02, 0.03, 0.04, 0.05 fl oz (0.7, 1.0, 1.2, 1.5 ml) (depending on the viscosity of the product)
- dosing pump made of high-quality stainless steel
- compatible with hygienic packaging (collapsing bottle with disposable pump)
- dispenser/pump dishwasher safe and autoclavable up to 134 °C, 3 bar
- 3 7/16" (88 mm) wide, 13 15/16" (354 mm) high, 7 3/8" (187 mm) deep
- incl. 16.7 fl oz (500 ml) empty container for free refilling
- for wall mounting
- including non-corrosive HEWI fixing material
- lever made of high-quality polyamide in 16 HEWI colors
- basic body made of polyamide in HEWI color 98 (signal white)
- basic body made of polyamide in HEWI color 99 (pure white)
- lever made of high-quality matt polyamide in 5 HEWI colors
- basic body made of polyamide in HEWI color 98 (signal white)
- basic body made of polyamide in HEWI color 99 (pure white)

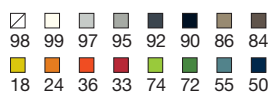
**New** 477.06.10598

**New** 477.06.10599

**New** 477.06B10598

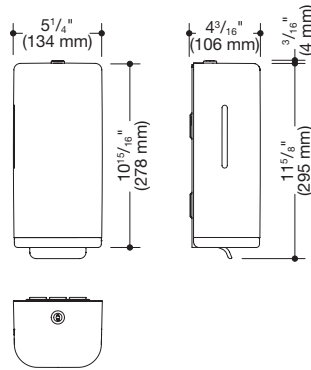
**New** 477.06B10599

**16 HEWI colors**



Item Number

Dimensions / Specification



**HEWI Soap dispenser**

- with inner container for free filling, capacity 20,3 fl oz (600 ml)
- inner container can be removed for cleaning
- side level indicator
- with lever for manual soap dispensing
- locking system as protection against misuse
- 5 1/4" (134 mm) wide, 10 15/16" (278 mm) high and 4 3/16" (106 mm) deep
- for wall mounting
- including non-corrosive HEWI fixing material
- frame element made of high-quality polyamide in 16 HEWI colors
- basic body / lever made of polyamide in HEWI color 98 (signal white)
- basic body / lever made of polyamide in HEWI color 99 (pure white)
- frame element made of high-quality matt polyamide in 5 HEWI colors
- basic body / lever made of polyamide in HEWI color 98 (signal white)
- basic body / lever made of polyamide in HEWI color 99 (pure white)

**New** 477.06.10198

**New** 477.06.10199

**New** 477.06B10198

**New** 477.06B10199

477.06.E0360

**HEWI Drip tray** see page 250

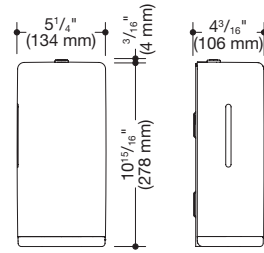
5 matt HEWI colors





Item Number

Dimensions / Specification



**HEWI SENSORIC Liquid soap dispenser**

- to be filled with standard liquid soap
- with inner container for free filling, capacity 16.7 fl oz (500 ml)
- inner container can be removed for cleaning
- side level indicator, non-contact soap dispensing
- enclosed sticker to identify the dispenser (if required to distinguish between soap dispenser, foam soap dispenser and disinfectant dispenser)
- illumination of the output area when the sensor is activated (blue light), with battery change indicator
- locking system as protection against misuse
- maintenance-free, for wall mounting
- 5 1/4" (134 mm) wide, 10 15/16" (278 mm) high and 4 3/16" (106 mm) deep
- batteries (AA 1,5 V/4 pcs.) not included in delivery
- frame element made of high-quality polyamide in 16 HEWI colors
- basic body polyamide in HEWI color 98 (signal white)
- basic body polyamide in HEWI color 99 (pure white)
- frame element made of high-quality matt polyamide in 5 HEWI colors
- basic body polyamide in HEWI color 98 (signal white)
- basic body polyamide in HEWI color 99 (pure white)

**New** 477.06.10298  
**New** 477.06.10299

**New** 477.06B10298  
**New** 477.06B10299

**HEWI SENSORIC Foam soap dispenser**

- do., to be filled with standard foam soap
- non-contact foam soap dispensing
- frame element made of high-quality polyamide in 16 HEWI colors
- basic body polyamide in HEWI color 98 (signal white)
- basic body polyamide in HEWI color 99 (pure white)
- frame element made of high-quality matt polyamide in 5 HEWI colors
- basic body polyamide in HEWI color 98 (signal white)
- basic body polyamide in HEWI color 99 (pure white)

**New** 477.06.10398  
**New** 477.06.10399

**New** 477.06B10398  
**New** 477.06B10399

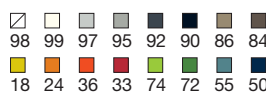
**HEWI SENSORIC Disinfectant dispenser**

- do., to be filled with standard disinfectant
- non-contact disinfectant dispensing
- frame element made of high-quality polyamide in 16 HEWI colors
- basic body polyamide in HEWI color 98 (signal white)
- basic body polyamide in HEWI color 99 (pure white)
- frame element made of high-quality matt polyamide in 5 HEWI colors
- basic body polyamide in HEWI color 98 (signal white)
- basic body polyamide in HEWI color 99 (pure white)

**New** 477.06.10498  
**New** 477.06.10499

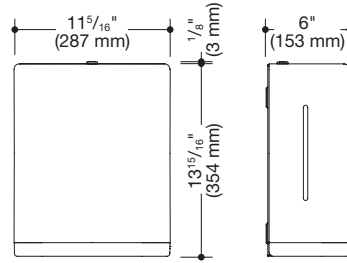
**New** 477.06B10498  
**New** 477.06B10499

**16 HEWI colors**



Item Number

Dimensions / Specification

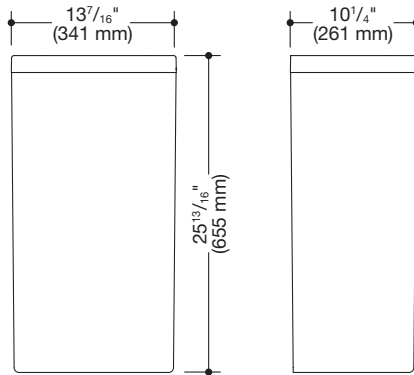


**HEWI Paper towel dispenser**

- to hold standard paper towels with different folds in the width 9 1/4" - 9 13/16" (235 - 250) mm and folded length/depth of 3 1/8" - 3 15/16" (80 - 110 mm) (HEWI recommends paper towels with Z-fold)
- capacity approx. 300 - 450 paper towels, side level indicator
- locking system as protection against misuse
- 11 5/16" (287 mm) wide, 13 15/16" (354 mm) high and 6" (153 mm) deep
- for wall mounting
- including non-corrosive HEWI fixing material
- frame element made of high-quality polyamide in 16 HEWI colors
- basic body polyamide in HEWI color 98 (signal white)
- basic body polyamide in HEWI color 99 (pure white)
- frame element made of high-quality matt polyamide in 5 HEWI colors
- basic body polyamide in HEWI color 98 (signal white)
- basic body polyamide in HEWI color 99 (pure white)

**New** 477.06.60198  
**New** 477.06.60199

**New** 477.06B60198  
**New** 477.06B60199



**HEWI Waste bin**

- capacity approx. 2029 fl oz (60 l)
- invisible, integrated bag holder
- 13 7/16" (341 mm) wide, 25 13/16" (655 mm) high and 10 1/4" (261 mm) deep
- for wall mounting and as a free-standing model
- including non-corrosive HEWI fixing material
- frame element made of high-quality polyamide in 16 HEWI colors
- basic body polyamide in HEWI color 98 (signal white)
- basic body polyamide in HEWI color 99 (pure white)
- frame element made of high-quality matt polyamide in 5 HEWI colors
- basic body polyamide in HEWI color 98 (signal white)
- basic body polyamide in HEWI color 99 (pure white)

**New** 477.05.20398  
**New** 477.05.20399

**New** 477.05B20398  
**New** 477.05B20399

**5 matt HEWI colors**



Item Number

Dimensions / Specification

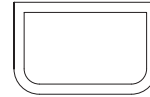
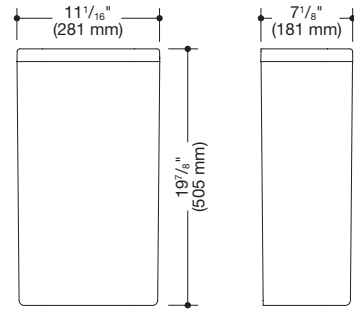


**New** 477.05.20198

**New** 477.05.20199

**New** 477.05B20198

**New** 477.05B20199



**HEWI Waste paper bin**

- capacity approx. 845.4 fl oz (25 l)
- invisible, integrated bag holder
- 11 1/16" (281 mm) wide, 19 7/8" (505 mm) high and 7 1/8" (181 mm) deep
- for wall mounting
- including non-corrosive HEWI fixing material
- frame element made of high-quality polyamide in 16 HEWI colors
- basic body polyamide in HEWI color 98 (signal white)
- basic body polyamide in HEWI color 99 (pure white)
- frame element made of high-quality matt polyamide in 5 HEWI colors
- basic body polyamide in HEWI color 98 (signal white)
- basic body polyamide in HEWI color 99 (pure white)

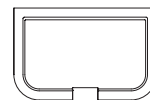
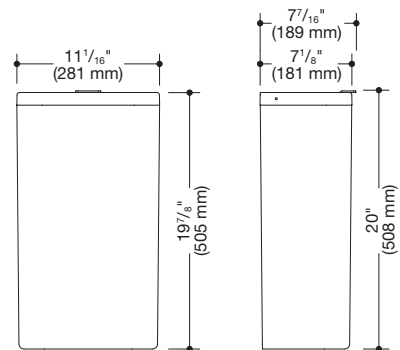


**New** 477.05.20298

**New** 477.05.20299

**New** 477.05B20298

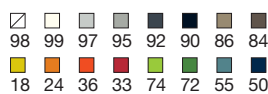
**New** 477.05B20299



**HEWI Waste paper bin**

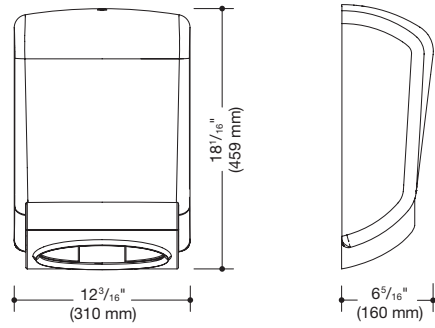
- do., with lid with lifting flap
- frame element made of high-quality polyamide in 16 HEWI colors
- basic body / lid polyamide in HEWI color 98 (signal white)
- basic body / lid polyamide in HEWI color 99 (pure white)
- frame element made of high-quality matt polyamide in 5 HEWI colors
- basic body / lid polyamide in HEWI color 98 (signal white)
- basic body / lid polyamide in HEWI color 99 (pure white)

**16 HEWI colors**



Item Number

Dimensions / Specification



**HEWI Paper towel dispenser**

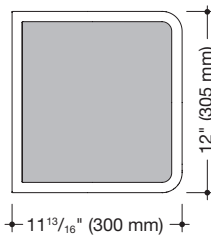
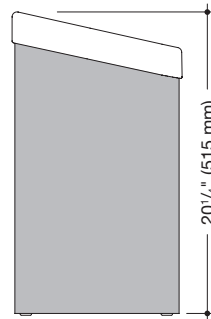
- rectangular container with edged access aperture
- for accommodating standard paper towels, max. no. approx. 450 pieces, user-friendly access aperture
- easy to fill and lockable, for wall mounting
- $12\frac{3}{16}$ " (310 mm) wide,  $18\frac{1}{16}$ " (459 mm) high,  $6\frac{5}{16}$ " (160 mm) deep
- container made of high-quality white-translucent polyamide

477.06.60005

- access aperture edging made of high-quality polyamide in 16 HEWI colors

477.06B60005

- access aperture edging made of high-quality matt polyamide in 5 HEWI colors



**HEWI Paper towel basket**

- rectangular container made of perforated white plate with polyamide top
- removable top holds and covers waste bags
- free-standing or wall-mounted
- $12$ " (305 mm) wide,  $20\frac{1}{4}$ " (515 mm) high and  $11\frac{13}{16}$ " (300 mm) deep

477.05.20012

- top made of high-quality polyamide in 16 HEWI colors

477.05B20012

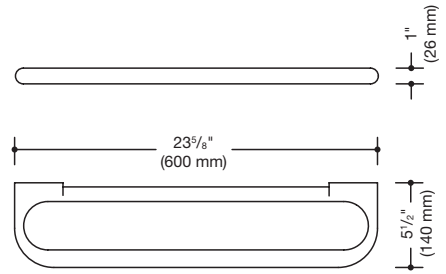
- top made of high-quality matt polyamide in 5 HEWI colors

**5 matt HEWI colors**



Item Number

Dimensions / Specification



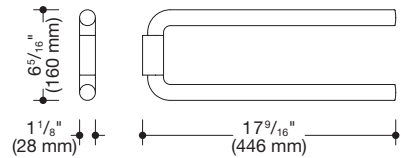
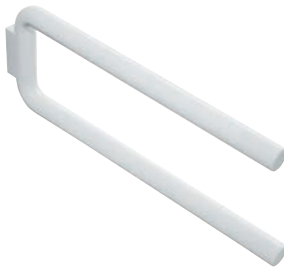
477.03.100

**HEWI Shelf**

- shelf with raised edge
- locking system to prevent unauthorised removal
- 23 5/8" (600 mm) wide, 1" (26 mm) high and 5 1/2" (140 mm) deep
- made of high-quality polyamide in HEWI colors 98 (signal white), 99 (pure white), 97 (light gray), 95 (stone gray), 84 (umber), 86 (sand), 24 (orange), 33 (ruby red), 74 (apple green), 55 (aqua blue)

477.03B100

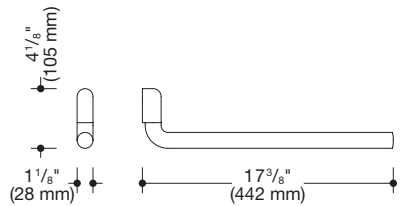
- made of high-quality matt polyamide in HEWI colors 98 (signal white), 99 (pure white), 97 (light gray), 95 (stone gray)



477.09.100  
477.09B100

**HEWI Towel rail**

- each bar pivots sideways independently of the other bar
- 17 9/16" (446 mm) long and 6 5/16" (160 mm) high, arms ø 1 1/8" (28 mm)
- made of high-quality polyamide in 16 HEWI colors
- made of high-quality matt polyamide in 5 HEWI colors

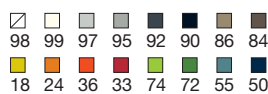


477.09.200  
477.09B200

**HEWI Towel rail**

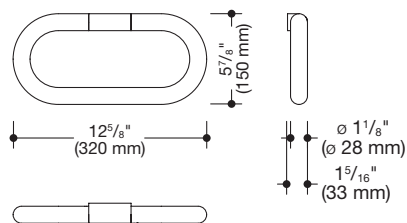
- bar pivots sideways
- 17 3/8" (442 mm) long and 4 1/8" (105 mm) high, arms ø 1 1/8" (28 mm)
- made of high-quality polyamide in 16 HEWI colors
- made of high-quality matt polyamide in 5 HEWI colors

**16 HEWI colors**



Item Number

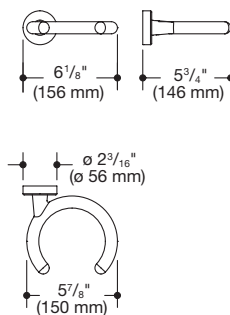
Dimensions / Specification



**477.09.300**  
**477.09B300**

**HEWI Towel ring**

- elongated ring
- ring pivots locking at approx. 30°
- 12 5/8" (320 mm) wide and 5 7/8" (150 mm) high
- made of high-quality polyamide in 16 HEWI colors
- made of high-quality matt polyamide in 5 HEWI colors



**950.90.60090**  
**950.90B60090**

**HEWI Walking aid holder**

- functions as a repository for walking aids (USA)
- hidden screw fastening
- can be used right/left
- outer  $\varnothing$  5 7/8" (150 mm), 5 3/4" (146 mm) deep and rose  $\varnothing$  2 3/16" (56 mm)
- made of high-quality polyamide in 16 HEWI colors
- made of high-quality matt polyamide in 5 HEWI colors

5 matt HEWI colors



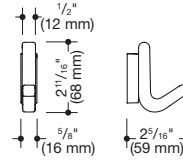
Item Number

Dimensions / Specification



**New** 477.93.010

**New** 477.94B010



**HEWI Single hook**

- rounded edges, concealed fixing
- 5/8" (16 mm) wide, 2 11/16" (68 mm) high and 2 5/16" (59 mm) deep
- made of high-quality polyamide in 10 HEWI colors (99, 97, 95, 92, 90, 18, 33, 74, 55, 50)

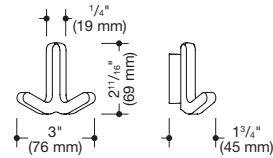
**HEWI Elastic single hook**

- do., yielding material, soft feel and rounded edges reduce the risk of impact and injury
- recommended load: max. 11 lbs (5 kg)
- made of elastic and matt synthetic material (TPU) in 10 HEWI colors (99, 97, 95, 92, 90, 18, 33, 74, 55, 50)



**New** 477.93.020

**New** 477.94B020



**HEWI Double hook**

- rounded edges, concealed fixing
- 3" (76 mm) wide, 2 11/16" (69 mm) high and 1 3/4" (45 mm) deep
- made of high-quality polyamide in 10 HEWI colors (99, 97, 95, 92, 90, 18, 33, 74, 55, 50)

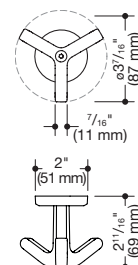
**HEWI Elastic double hook**

- do., yielding material, soft feel and rounded edges reduce the risk of impact and injury
- recommended load: max. 11 lbs (5 kg) per hook part
- made of elastic and matt synthetic material (TPU) in 10 HEWI colors (99, 97, 95, 92, 90, 18, 33, 74, 55, 50)



**New** 477.93.030

**New** 477.94B030



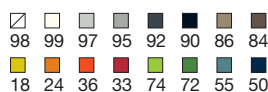
**HEWI Triple hook**

- rotatable hook to be screwed on from below, rounded edges, concealed fixing
- rose  $\varnothing$  2" (51 mm), 3 1/8" (80 mm) wide, 2 11/16" (69 mm) high
- made of high-quality polyamide in 10 HEWI colors (99, 97, 95, 92, 90, 18, 33, 74, 55, 50)

**HEWI Elastic triple hook**

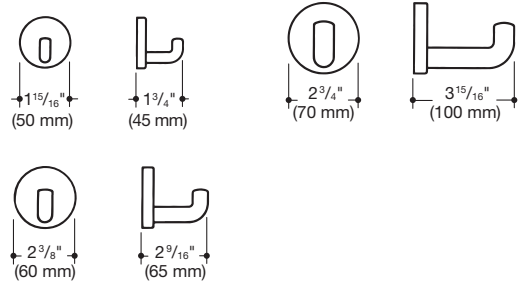
- do., yielding material, soft feel and rounded edges reduce the risk of impact and injury
- recommended load: max. 11 lbs (5 kg) per hook part
- made of elastic and matt synthetic material (TPU) in 10 HEWI colors (99, 97, 95, 92, 90, 18, 33, 74, 55, 50)

16 HEWI colors



Item Number

Dimensions / Specification

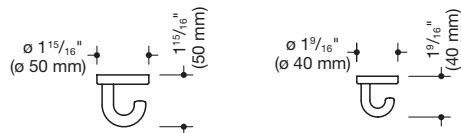


**477.90.010**  
**477.90.030**  
**477.90.045**

**477.90B010**  
**477.90B030**  
**477.90B045**

**HEWI Single hook**

- curved right-angle, cylindrical robe hook with fixing rose
- for hanging up clothing and other items
- theft-protected with hidden screw fastening
- made of high-quality polyamide in 16 HEWI colors
- 1 3/4" (45 mm) deep, rose  $\varnothing$  1 15/16" (50 mm)
- 3 15/16" (100 mm) deep, rose  $\varnothing$  2 3/4" (70 mm)
- 2 9/16" (65 mm) deep, rose  $\varnothing$  2 3/8" (60 mm)
- made of high-quality matt polyamide in 16 HEWI colors
- 1 3/4" (45 mm) deep, rose  $\varnothing$  1 15/16" (50 mm)
- 3 15/16" (100 mm) deep, rose  $\varnothing$  2 3/4" (70 mm)
- 2 9/16" (65 mm) deep, rose  $\varnothing$  2 3/8" (60 mm)

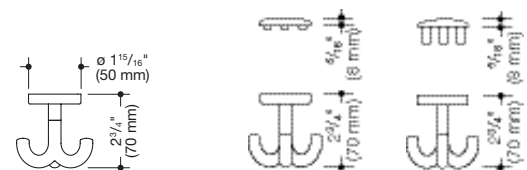


**477.90.015**  
**477.90.040**

**477.90B015**  
**477.90B040**

**HEWI Single hook**

- semicircular curved, cylindrical robe hook
- can be screwed in from below
- for hanging up clothing and other items
- theft-protected with hidden screw fastening
- made of high-quality polyamide in 16 HEWI colors
- 1 15/16" (50 mm) high, rose  $\varnothing$  1 15/16" (50 mm)
- 1 9/16" (40 mm) high, rose  $\varnothing$  1 9/16" (40 mm)
- made of high-quality matt polyamide in 16 HEWI colors
- 1 15/16" (50 mm) high, rose  $\varnothing$  1 15/16" (50 mm)
- 1 9/16" (40 mm) high, rose  $\varnothing$  1 9/16" (40 mm)



**477.90.050**  
**477.90B050**

**477.90.051**  
**477.90B051**  
**477.90.052**  
**477.90B052**

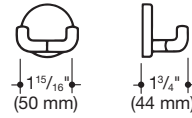
**HEWI Triple hook**

- rotating robe hook can be screwed in from below
- for hanging up clothing and other items
- 2 3/4" (70 mm) high, rose  $\varnothing$  1 15/16" (50 mm)
- made of high-quality polyamide in 16 HEWI colors
- made of high-quality matt polyamide in 16 HEWI colors
- f. boards up to 15 mm thickness, polyamide in 16 colors
- f. boards up to 15 mm thickness, matt polyamide in 16 colors
- f. boards over 15 mm thickness, polyamide in 16 colors
- f. boards over 15 mm thickness, matt polyamide in 16 colors



Item Number

Dimensions / Specification



**477.90.025**  
**477.90B025**

**HEWI Double hook**

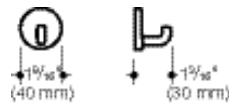
- double robe hook with fixing rose
- or hanging up clothing and other items
- Rose  $\varnothing$  1 15/16" (50 mm)
- 1 3/4" (44 mm) deep
- made of high-quality polyamide in 16 HEWI colors
- made of high-quality matt polyamide in 16 HEWI colors



**477.90.035**  
**477.90B035**

**HEWI Wall hook**

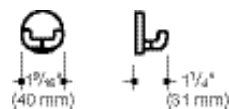
- curved right-angle, cylindrical robe hook with fixing rose and black door bumper
- for hanging up clothing and other items
- theft-protected with hidden screw fastening
- 4 1/8" (105 mm) deep, rose  $\varnothing$  2 3/4" (70 mm)
- made of high-quality polyamide in 16 HEWI colors
- made of high-quality matt polyamide in 16 HEWI colors



**801.90.010**  
**801.90B010**

**HEWI Single hook**

- curved right-angle, cylindrical robe hook with fixing rose
- for hanging up clothing and other items
- theft-protected with hidden screw fastening
- 1 3/16" (30 mm) deep, rose  $\varnothing$  1 9/16" (40 mm)
- made of high-quality polyamide in 16 HEWI colors
- made of high-quality matt polyamide in 16 HEWI colors

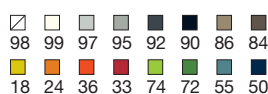


**801.90.020**  
**801.90B020**

**HEWI Double hook**

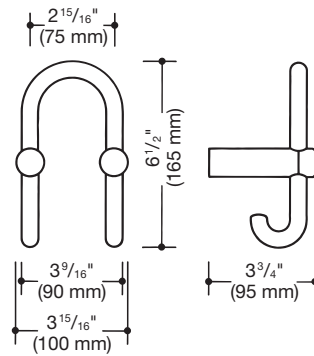
- double robe hook with fixing rose
- for hanging up clothing and other items
- theft-protected with hidden screw fastening
- 1 1/4" (31 mm) deep, rose  $\varnothing$  1 9/16" (40 mm)
- made of high-quality polyamide in 16 HEWI colors
- made of high-quality matt polyamide in 16 HEWI colors

**16 HEWI colors**



Item Number

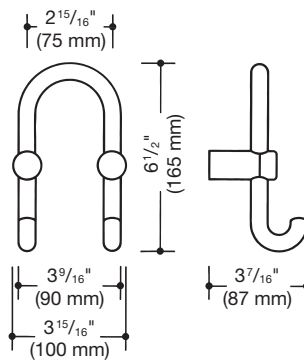
Dimensions / Specification



**801.90.030**  
**801.90B030**

**HEWI Double coat hook**

- two polyamide support pins with a stirrup-shaped hook
- reduced risk of injury as hooks face inwards towards wall
- 3 9/16" (90 mm) wide, 6 1/2" (165 mm) high and 3 9/16" (90 mm) deep, c to c 2 15/16" (75 mm)
- made of high-quality polyamide in 16 HEWI colors
- made of high-quality matt polyamide in 16 HEWI colors



**801.90.040**  
**801.90B040**

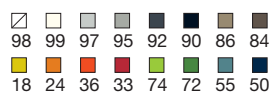
**HEWI Double coat hook**

- two polyamide support pins with a stirrup-shaped hook
- hooks facing outwards
- 3 9/16" (90 mm) wide, 6 1/2" (165 mm) high and 3 7/16" (87 mm) deep, c to c 2 15/16" (75 mm)
- made of high-quality polyamide in 16 HEWI colors
- made of high-quality matt polyamide in 16 HEWI colors

**5 matt HEWI colors**



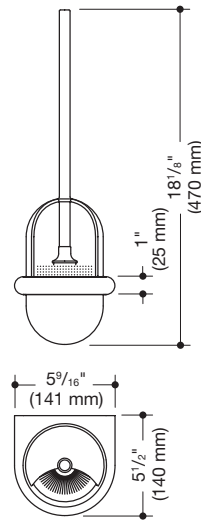
**16 HEWI colors**





Item Number

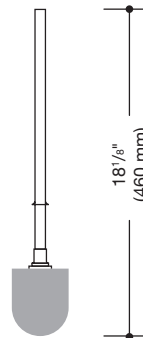
Dimensions / Specification



**HEWI Toilet brush unit**

- brush handle with easily replaceable brush head by bayonet fixing
- brush head made of black polyamide
- brush container with round bottom and spherical semi-open top in ringshaped holder
- upper part free rotating
- container is removable, but can also be fitted to prevent unauthorised removal
- concealed fitting to prevent unauthorised removal of holder
- 5 9/16" (141 mm) wide, 18 1/8" (470 mm) high and 5 1/2" (140 mm) deep
- made of high-quality polyamide in 16 HEWI colors
- made of high-quality matt polyamide in 5 HEWI colors

477.20.100  
477.20B100



**HEWI Toilet brush**

- brush handle with easily replaceable brush head by bayonet fixing
- brush head made of black polyamide
- 18 1/8" (460 mm) long
- made of high-quality polyamide in 16 HEWI colors
- made of high-quality matt polyamide in 5 HEWI colors

477.20.010  
477.20B010

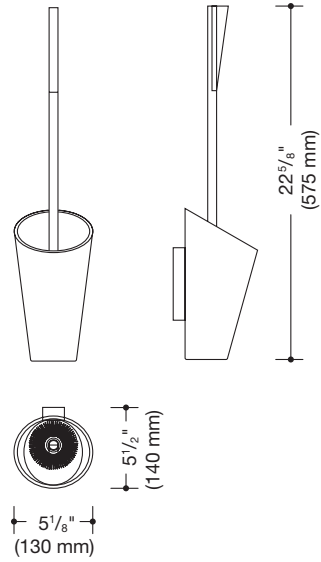
477.20.E04  
477.20.E03  
68562  
9210...

**HEWI Toilet brush container** see page 251  
**HEWI Brush handle** see page 251  
**HEWI Brush handle, matt** see page 251  
**HEWI Brush head** see page 252

5 matt HEWI colors  
98 99 97 95 92

Item Number

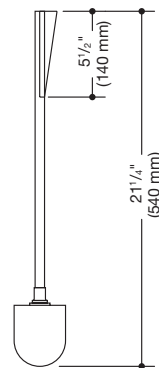
Dimensions / Specification



**HEWI Toilet brush unit**

- long brush grip with ergonomic handle and brush head made from black synthetic material
- cone-shaped tapered container with large insertion opening
- replace the brush head using the bayonet fixing
- when inserted into the container the brush is automatically centered and stands upright independently
- inner reservoir in the container for disinfectant intake
- container is removable
- for wall-mounting
- 22 5/8" (575 mm) high, 5 1/8" (130 mm) wide and 5 1/2" (140 mm) deep
- made of high-quality polyamide in 16 HEWI colors
- made of high-quality matt polyamide in 5 HEWI colors

**801.20.100**  
**801.20B100**

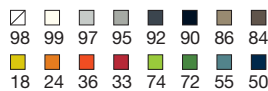


**HEWI Toilet brush**

- long brush grip with ergonomic handle and brush head made from black synthetic material
- replace the brush head using the bayonet fixing
- 21 1/4" (540 mm) long, handle 5 1/2" (140 mm) long
- made of high-quality polyamide in 16 HEWI colors
- made of high-quality matt polyamide in 5 HEWI colors

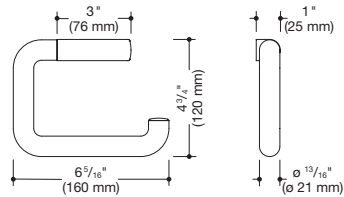
**801.20.010**  
**801.20B010**

**16 HEWI colors**



Item Number

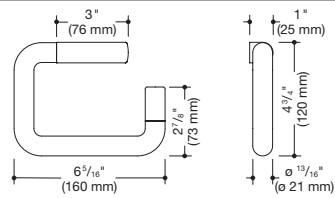
Dimensions / Specification



**HEWI Toilet roll holder**

- right-angled U-shaped holder
- concealed fitting to prevent unauthorised removal
- 6 5/16" (160 mm) wide, 4 3/4" (120 mm) high, ø 13/16" (21 mm)
- made of high-quality polyamide in 16 HEWI colors
- made of high-quality matt polyamide in 5 HEWI colors

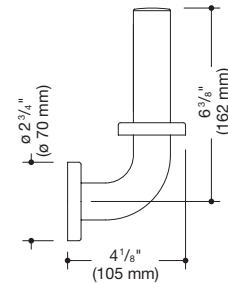
**477.21.100**  
**477.21B100**



**HEWI Toilet roll holder**

- right-angled U-shaped holder
- retaining element to prevent unauthorised removal of toilet roll
- concealed fitting to prevent unauthorised removal of holder
- 6 5/16" (160 mm) wide, 4 3/4" (120 mm) high, ø 13/16" (21 mm)
- inclusive key for unlocking the anti-theft feature
- made of high-quality polyamide in 16 HEWI colors
- made of high-quality matt polyamide in 5 HEWI colors

**477.21.150**  
**477.21B150**



**HEWI Spare roll holder**

- right-angled holder pointing upwards with rose fixing
- anti-theft protection through concealed screw fixing
- 4 1/8" (105 mm) deep, rose ø 2 3/4" (70 mm)
- made of high-quality polyamide in 16 HEWI colors
- for one toilet roll, 6 3/8" (162 mm) high
- for two toilet rolls, 10 15/16" (262 mm) high
- for three toilet rolls, 14 1/4" (362 mm) high
- made of high-quality matt polyamide in 5 HEWI colors
- for one toilet roll, 6 3/8" (162 mm) high
- for two toilet rolls, 10 15/16" (262 mm) high
- for three toilet rolls, 14 1/4" (362 mm) high

**801.21.401**  
**801.21.402**  
**801.21.403**

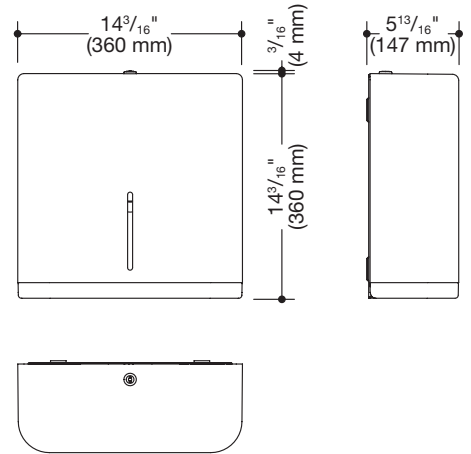
**801.21B401**  
**801.21B402**  
**801.21B403**

5 matt HEWI colors



Item Number

Dimensions / Specification



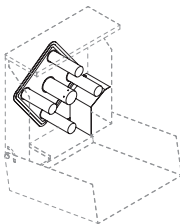
**New** 477.21.60098  
**New** 477.21.60099

**New** 477.21B60098  
**New** 477.21B60099

**HEWI Large toilet roll holder**

- for holding a standard large toilet roll in diameters from 9 13/16" - 12 5/8" (250 - 320 mm)
- level indicator at the front, for wall mounting
- locking system as protection against misuse
- 14 3/16" (360 mm) wide, 14 3/16" (360 mm) high and 5 13/16" (147 mm) deep
- extension possible with carousel 900.21.E01
- including non-corrosive HEWI fixing material

- frame element made of high-quality polyamide in 16 HEWI colors
- basic body polyamide in HEWI color 98 (signal white)
- basic body polyamide in HEWI color 99 (pure white)
- frame element made of high-quality matt polyamide in 5 HEWI colors
- basic body polyamide in HEWI color 98 (signal white)
- basic body polyamide in HEWI color 99 (pure white)

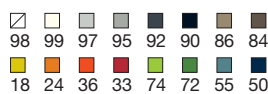


900.21.E01

**HEWI Carousel**

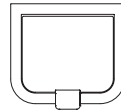
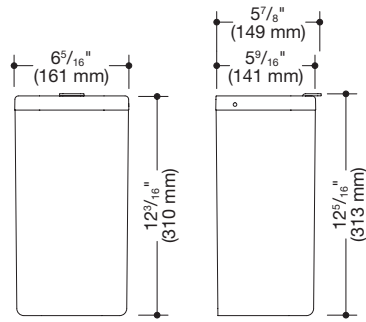
- for conversion from large toilet roll holder to quadruple toilet roll holder
- optionally available

**16 HEWI colors**



Item Number

Dimensions / Specification

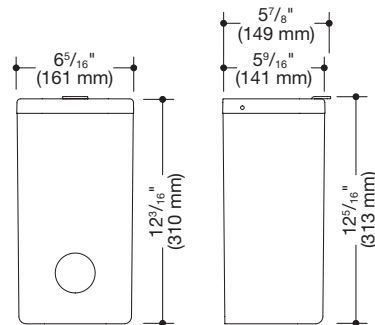


**HEWI Hygiene waste bin**

- capacity approx. 6 l
- invisible, integrated bag holder
- lid with lifting flap
- 6 5/16" (161 mm) wide, 12 3/16" (310 mm) high and 5 9/16" (141 mm) deep
- for wall mounting
- including non-corrosive HEWI fixing material
- frame element made of high-quality polyamide in 16 HEWI colors
- basic body / lid polyamide in HEWI color 98 (signal white)
- basic body / lid polyamide in HEWI color 99 (pure white)
- frame element made of high-quality matt polyamide in 5 HEWI colors
- basic body / lid polyamide in HEWI color 98 (signal white)
- basic body / lid polyamide in HEWI color 99 (pure white)

**New** 477.05.20498  
**New** 477.05.20499

**New** 477.05B20498  
**New** 477.05B20499

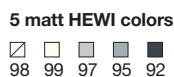


**HEWI Hygiene combination**

- do., with integrated holder for standard hygiene bags made of synthetic material (max. package size L 5 1/8" x W 3 9/16" x H 13/16" (L 130 x W 90 x H 20 mm))
- frame element made of high-quality polyamide in 16 HEWI colors
- basic body / lid polyamide in HEWI color 98 (signal white)
- basic body / lid polyamide in HEWI color 99 (pure white)
- frame element made of high-quality matt polyamide in 5 HEWI colors
- basic body / lid polyamide in HEWI color 98 (signal white)
- basic body / lid polyamide in HEWI color 99 (pure white)

**New** 477.05.20598  
**New** 477.05.20599

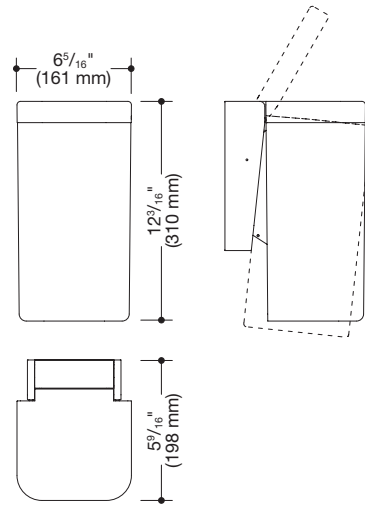
**New** 477.05B20598  
**New** 477.05B20599





Item Number

Dimensions / Specification

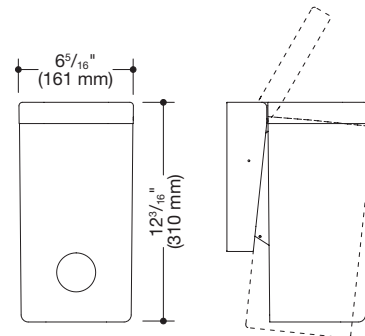


**HEWI Hygiene waste bin**

- capacity approx. 203 fl oz (6 l), for wall mounting, removable
- invisible, integrated bag holder
- lid is opened by applying slight pressure to container with the knee or hand
- with self-adhesive label with instructions for knee operation
- 12 3/16" (310 mm) high and 7 13/16" (198 mm) deep and 6 5/16" (161 mm) wide
- including non-corrosive HEWI fixing material
- lid made of high-quality polyamide in 16 HEWI colors
- basic body polyamide in HEWI color 98 (signal white)
- basic body polyamide in HEWI color 99 (pure white)
- lid made of high-quality matt polyamide in 5 HEWI colors
- basic body polyamide in HEWI color 98 (signal white)
- basic body polyamide in HEWI color 99 (pure white)

**New** 477.05.10198  
**New** 477.05.10199

**New** 477.05B10198  
**New** 477.05B10199



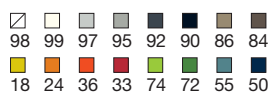
**HEWI Hygiene combination**

- do., with integrated holder for standard hygiene bags made of synthetic material (max. package size L 5 1/8" x W 3 9/16" x H 13/16" (L 130 x W 90 x H 20 mm))
- lid made of high-quality polyamide in 16 HEWI colors
- basic body polyamide in HEWI color 98 (signal white)
- basic body polyamide in HEWI color 99 (pure white)
- lid made of high-quality matt polyamide in 5 HEWI colors
- basic body polyamide in HEWI color 98 (signal white)
- basic body polyamide in HEWI color 99 (pure white)

**New** 477.05.10298  
**New** 477.05.10299

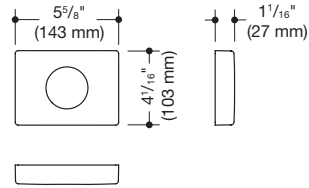
**New** 477.05B10298  
**New** 477.05B10299

**16 HEWI colors**



Item Number

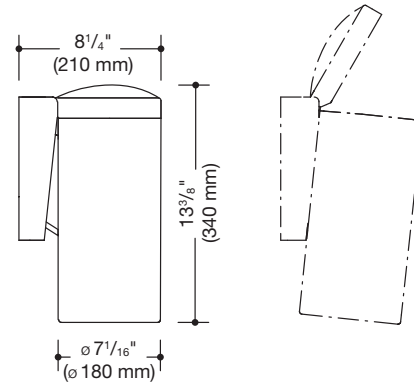
Dimensions / Specification



477.06.750  
477.06B750

**HEWI Hygiene bag dispenser**

- holds and dispenses proprietary hygiene bags made of synthetic material
- for wall mounting
- 5 5/8" (143 mm) wide, 4 1/16" (103 mm) high and 1 1/16" (27 mm) deep
- including non-corrosive HEWI fixing material
- made of high-quality polyamide in 16 HEWI colors
- made of high-quality matt polyamide in 6 HEWI colors



477.05.300

477.05B300

51876

**HEWI Waste bin**

- cylindrical container with hinged lid
- removable waste container for easy cleaning, capacity approx. 6 litres
- lid opens by applying slight pressure to container with the knee or hand
- integrated compartment for standard hygienic bags
- only suitable for wall mounting
- 13 3/8" (340 mm) high, 8 1/4" (210 mm) deep and ø 7 1/16" (180 mm)

- made of high-quality polyamide in HEWI colors 99 (pure white), 98 (signal white), 97 (light grey), 95 (stone grey), 92 (anthracite grey), 90 (jet black) and 33 (ruby red)
- made of high-quality matt polyamide in 5 HEWI colors

**HEWI Ring insert** see page 250

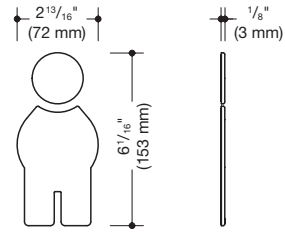
**6 matt HEWI colors**



90 (additional for hygiene bag dispenser and symbols)

Item Number

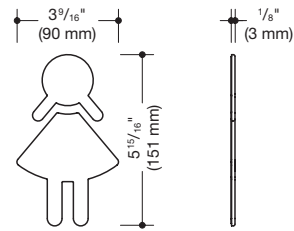
Dimensions / Specification



801.91.010  
801.91B010

**HEWI Symbol male**

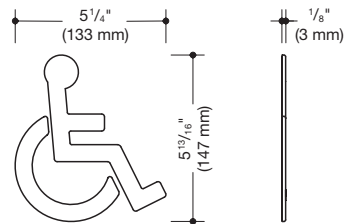
- self-adhesive
- 2 13/16" (72 mm) wide, 6 1/16" (153 mm) high and 1/8" (3 mm) thick
- made of high-quality polyamide in 16 HEWI colors
- made of high-quality matt polyamide in 6 HEWI colors



801.91.020  
801.91B020

**HEWI Symbol female**

- self-adhesive
- 3 9/16 inch (90 mm) wide, 5 15/16" (151 mm) high and 1/8" (3 mm) thick
- made of high-quality polyamide in 16 HEWI colors
- made of high-quality matt polyamide in 6 HEWI colors

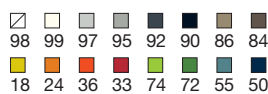


801.91.030  
801.91B030

**HEWI Symbol accessibility**

- self-adhesive
- 5 1/4" (133 mm) wide, 5 13/16" (147 mm) high and 1/8" (3 mm) thick
- made of high-quality polyamide in 16 HEWI colors
- made of high-quality matt polyamide in 6 HEWI colors

**16 HEWI colors**



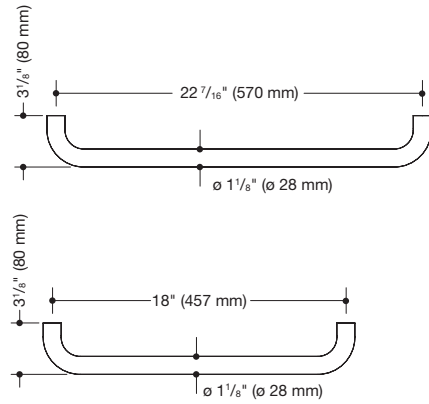
Item Number

Dimensions / Specification



477.30US110  
477.30US210

477.30B110  
477.30B210



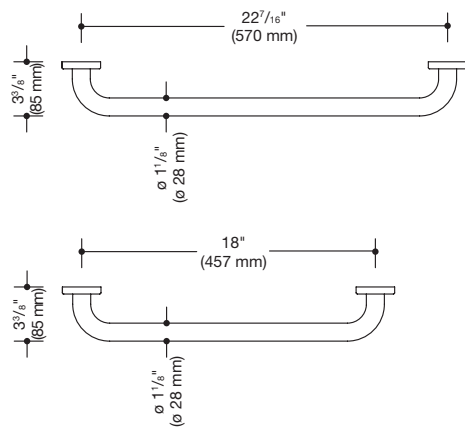
**HEWI Bath towel bar**

- rail with right-angled ends
- 3 1/8" (80 mm) deep,  $\phi$  1 1/8" (28 mm)
- made of high-quality polyamide in HEWI colors 99 (pure white), 95 (stone gray), 92 (anthracite gray), 90 (jet black), 86 (sand), 84 (umber) and 33 (ruby red)
- c to c 22 7/16" (570 mm)
- c to c 18" (457 mm)
- made of high-quality matt polyamide in 5 HEWI colors
- c to c 22 7/16" (570 mm)
- c to c 18" (457 mm)



477.30.100  
477.30.200

477.30B100  
477.30B200



**HEWI Bath towel bar**

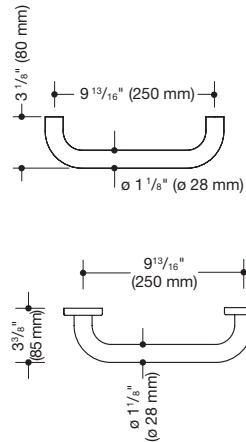
- same as above, with roses, 3 3/8" (85 mm) deep
- made of high-quality polyamide in 16 HEWI colors
- c to c 22 7/16" (570 mm)
- c to c 18" (457 mm)
- made of high-quality matt polyamide in 5 HEWI colors
- c to c 22 7/16" (570 mm)
- c to c 18" (457 mm)

5 matt HEWI colors



Item Number

Dimensions / Specification



**477.31US110**

**477.31BUS110**

**477.31.100**

**477.31B100**

**HEWI Towel bar**

- bar with right-angled ends
- for wall mounting
- with non-corrosive HEWI fixing material
- 9 13/16" (250 mm) wide (centre to centre), 3 1/8" (80 mm) deep and ø 1 1/8" (28 mm)

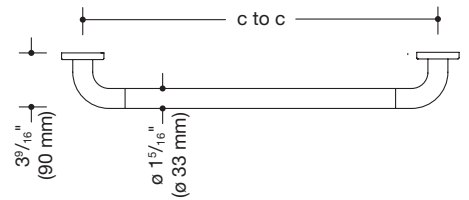
- made of high-quality polyamide in HEWI colors 99 (pure white), 95 (stone gray), 92 (anthracite gray), 90 (jet black), 86 (sand), 84 (umber) and 33 (ruby red)

- made of high-quality matt polyamide in HEWI colors 99 (pure white), 95 (stone gray) and 92 (anthracite gray)

**HEWI Towel bar**

- same as above, with roses, 3 3/8" (85 mm) deep

- made of high-quality polyamide in 16 HEWI colors
- made of high-quality matt polyamide in 5 HEWI colors

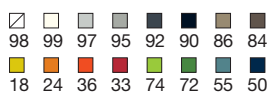


**HEWI Bath towel rail**

- with corrosion-resistant steel core
- 3 9/16" (90 mm) deep, ø 1 5/16" (33 mm), roses ø 2 3/4" (70 mm)

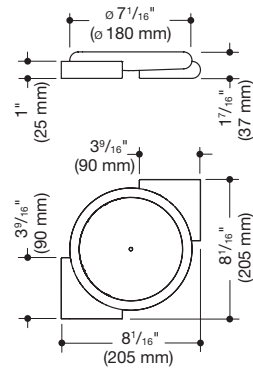
c to c	made of high-quality polyamide in 16 HEWI colors	made of high-quality matt polyamide in 5 HEWI colors
600 mm	<b>477.30.300</b>	<b>477.30B300</b>
800 mm	<b>477.30.310</b>	<b>477.30B310</b>
1000 mm	<b>477.30.320</b>	<b>477.30B320</b>
1100 mm	<b>477.30.330</b>	<b>477.30B330</b>

**16 HEWI colors**



Item Number

Dimensions / Specification



**HEWI Corner shelf**

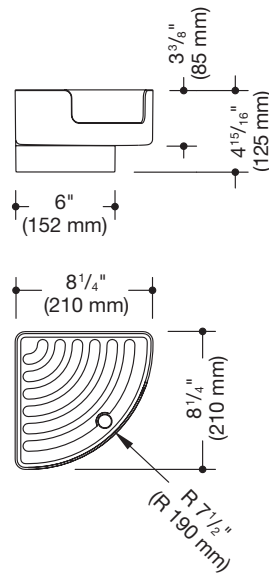
- round dish with drain hole, fitted between two holders either at right angles or parallel to one another
- lockable to prevent unauthorised removal
- for mounting on walls or in corners (80°-135°)
- 8 1/16" (205 mm) wide, 8 1/16" (205 mm) deep and 1 7/16" (37 mm) high
- shelf area  $\varnothing$  5 7/8" (150 mm)
- holders 3 9/16" (90 mm) wide and deep

477.32.100

- made of high-quality polyamide in 15 HEWI colors, not in color 72

477.32B100

- made of high-quality matt polyamide in 5 HEWI colors



**HEWI Corner shelf**

- rectangular with a quadrant-shaped shelf with high side walls and water drainage
- for storing accessories
- slots on the front
- loading capacity 6.61 lbs (3 kg)
- bottom with drainage inclination and non-slip profile
- for wall-mounting
- side lengths 8 1/4" (210 mm), 4 15/16" (125 mm) high
- highly polished chrome wall bracket

802.03.220

- made of high-quality polyamide in 16 HEWI colors

802.03B220

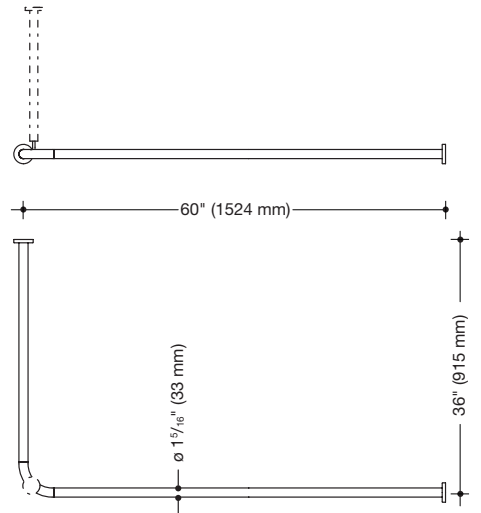
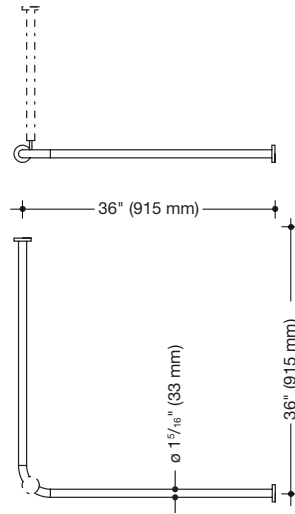
- made of high-quality matt polyamide in 5 HEWI colors

5 matt HEWI colors



Item Number

Dimensions / Specification



**HEWI Shower curtain rail**

- horizontal bars joined to form a right angle and fitted with curtain rings and rose fixings
- with aluminum core
- mounting to wall and ceiling with roses, ceiling support required
- rail  $\varnothing$  1 5/16" (33 mm), rose  $\varnothing$  2 3/4" (70 mm)
- length at ends can be shortened on site to 8 11/16" (220 mm)

**801.34US100**

- made of high-quality polyamide in 7 HEWI colors\*
- c to c 36" x 36" (915 x 915 mm), with 20 curtain rings
- c to c 60" x 36" (1524 x 915 mm), with 24 curtain rings

**801.34US110**

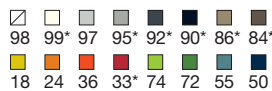
- made of high-quality polyamide in 7 HEWI colors\*
- c to c 36" x 36" (915 x 915 mm), with 20 curtain rings
- c to c 60" x 36" (1524 x 915 mm), with 24 curtain rings

**801.34BUS110**

- made of high-quality matt polyamide in 3 HEWI colors\*
- c to c 36" x 36" (915 x 915 mm), with 20 curtain rings
- c to c 60" x 36" (1524 x 915 mm), with 24 curtain rings

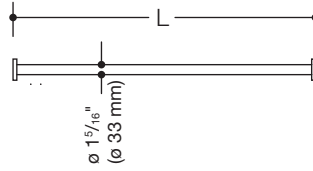
**HEWI Ceiling support** to be ordered separately page 222

**16 HEWI colors**



Item Number

Dimensions / Specification



801.34US400  
801.34US410  
801.34US420  
801.34US430

**HEWI Shower curtain rail**

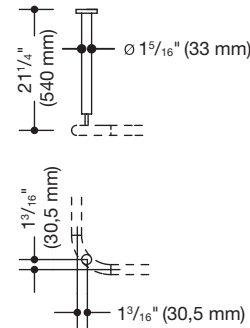
- rail with curtain rings and rose fixings
- with aluminum core
- can be shortened on site
- rail  $\varnothing 1\frac{5}{16}"$  (33 mm), roses  $\varnothing 2\frac{3}{4}"$  (70 mm)
- made of high-quality polyamide in 7 HEWI colors\*
- length  $L = 39\frac{3}{8}"$  (1000 mm)
- length  $L = 19\frac{11}{16}"$  (500 mm)
- length  $L = 59\frac{1}{16}"$  (1500 mm)
- length  $L = 78\frac{3}{4}"$  (2000 mm)

**HEWI Shower curtain rail, special length**

- made of high-quality polyamide with aluminum core
- can be shortened on site to 200 mm
- without ceiling support, with suitable number of curtain rings
- rail  $\varnothing 1\frac{5}{16}"$  (33 mm), roses  $\varnothing 2\frac{3}{4}"$  (70 mm)
- length to order from min.  $15\frac{3}{4}"$  (400 mm) to max.  $66\frac{15}{16}"$  (1700 mm)

801.34.4S  
801.34B4S

- made of high-quality polyamide in 16 HEWI colors
- made of high-quality matt polyamide in 5 HEWI colors



**HEWI Ceiling support**

- bar with rose fixing
- with aluminum core
- axis curtain rail - ceiling:  $2\frac{1}{4}"$  (540 mm)
- length adjustable by  $\frac{3}{8}"$  (10 mm) and can be shortened at rose by max.  $3\frac{15}{16}"$  (100 mm)
- rail  $\varnothing 1\frac{5}{16}"$  (33 mm), rose  $\varnothing 2\frac{3}{4}"$  (70 mm)
- fixing material included in delivery

801.34US020  
801.34BUS020

- made of high-quality polyamide in 7 HEWI colors\*
- made of high-quality matt polyamide in 3 HEWI colors\*

**5 matt HEWI colors**

98 99\* 97 95\* 92\*

**16 HEWI colors**

98 99\* 97 95\* 92\* 90\* 86\* 84\*  
18 24 36 33\* 74 72 55 50

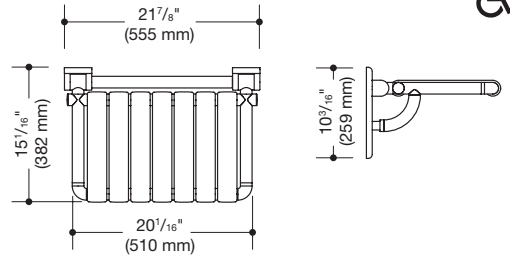


Range 477/801  
Sit



Item Number

Dimensions / Specification



**HEWI Rectangular folding shower seat**

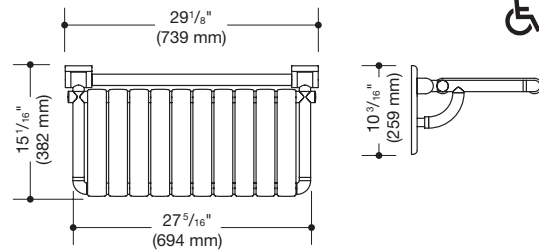
- construction of rails and seat elements
- can be folded up
- with corrosion resistant steel core
- wall plate made of polyamide with integrated steel core
- includes fixing material for mounting to cavity walls with wood backlining of two 2" x 16" laminate or hardwood boards connected with a 1/2" x 16" plywood board
- concealed fixing
- seat elements 2 3/16" (55 mm) wide
- loading capacity 450 lbs (204 kg)
- meets the requirements of 2010 ADA standards and ICC/ANSI A117.1-2017

**801.51US440**

- made of high-quality polyamide in the HEWI colors 99 (pure white), 95 (stone gray), 92 (anthracite gray), 90 (jet black), 86 (sand), 84 (umber) and 33 (ruby red)

**801.51BUS440**

- made of high-quality matt polyamide in the HEWI colors 99 (pure white), 95 (stone gray) and 92 (anthracite gray)



**HEWI Rectangular folding shower seat**

- construction of rails and seat elements
- can be folded up
- with corrosion resistant steel core
- wall plate made of polyamide with integrated steel core
- includes fixing material for mounting to cavity walls with wood backlining of two 2" x 16" laminate or hardwood boards connected with a 1/2" x 16" plywood board
- concealed fixing
- seat elements 2 3/16" (55 mm) wide
- loading capacity 450 lbs (204 kg)
- meets the requirements of 2010 ADA standards and ICC/ANSI A117.1-2017

**801.51US450**

- made of high-quality polyamide in the HEWI colors 99 (pure white), 95 (stone gray), 92 (anthracite gray), 90 (jet black), 86 (sand), 84 (umber) and 33 (ruby red)

**801.51BUS450**

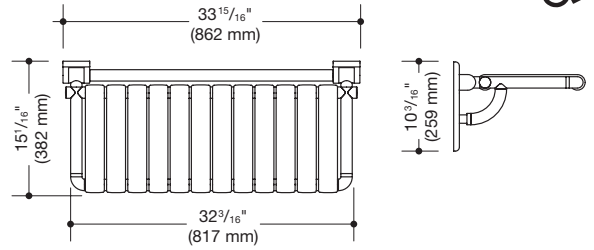
- made of high-quality matt polyamide in the HEWI colors 99 (pure white), 95 (stone gray) and 92 (anthracite gray)

**3 matt HEWI colors**



Item Number

Dimensions / Specification



**HEWI Rectangular folding shower seat**

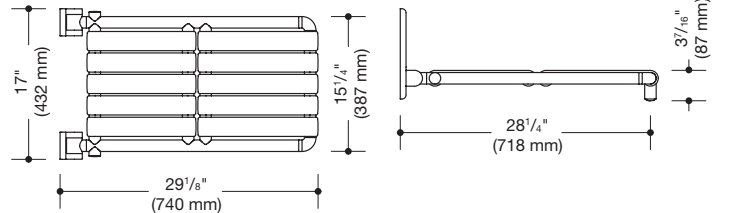
- construction of rails and seat elements
- can be folded up
- with corrosion resistant steel core
- wall plate made of polyamide with integrated steel core
- includes fixing material for mounting to cavity walls with wood backlining of two 2" x 16" laminate or hardwood boards connected with a 1/2" x 16" plywood board
- concealed fixing
- seat elements 2 3/16" (55 mm) wide
- loading capacity 450 lbs (204 kg)
- meets the requirements of 2010 ADA standards and ICC/ANSI A117.1-2017

**801.51US460**

- made of high-quality polyamide in the HEWI colors 99 (pure white), 95 (stone gray), 92 (anthracite gray), 90 (jet black), 86 (sand), 84 (umber) and 33 (ruby red)

**801.51BUS460**

- made of high-quality matt polyamide in the HEWI colors 99 (pure white), 95 (stone gray) and 92 (anthracite gray)



**HEWI Folding bathtub seat**

- construction of rails and seat elements
- can be folded up
- with corrosion resistant steel core
- wall plate made of polyamide with integrated steel core
- includes fixing material for mounting to cavity walls with wood backlining of two 2" x 16" laminate or hardwood boards connected with a 1/2" x 16" plywood board
- concealed fixing
- seat elements 2 3/16" (55 mm) wide
- load capacity 450 lbs (204 kg)
- meets the requirements of 2010 ADA standards and ICC/ANSI A117.1-2017

**801.51US520**

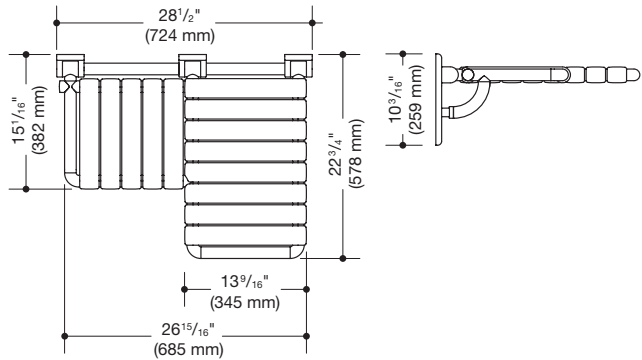
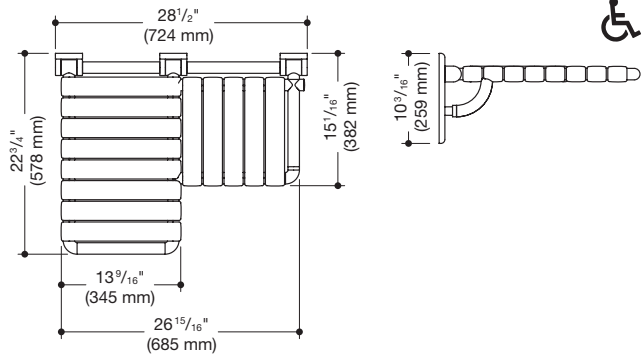
- made of high-quality polyamide in the HEWI colors 99 (pure white), 95 (stone gray), 92 (anthracite gray), 90 (jet black), 86 (sand), 84 (umber) and 33 (ruby red)

**801.51BUS520**

- made of high-quality matt polyamide in the HEWI colors 99 (pure white), 95 (stone gray) and 92 (anthracite gray)

**7 HEWI colors**





**HEWI L-shaped shower seat**

- construction of rails and seat elements
- can be folded up
- with corrosion resistant steel core
- wall plate made of polyamide with integrated steel core
- includes fixing material for mounting to cavity walls with wood backlining of two 2" x 16" laminate or hardwood boards connected with a 1/2" x 16" plywood board
- concealed fixing
- seat elements 2 3/16" (55 mm) wide
- maximum loading capacity 450 lbs (204 kg)
- meets the requirements of 2010 ADA standards and ICC/ANSI A117.1-2017

**801.51US320L**  
**801.51US320R**

- made of high-quality polyamide in the HEWI colors 99 (pure white), 95 (stone gray), 92 (anthracite gray), 90 (jet black), 86 (sand), 84 (umber) and 33 (ruby red)
- protruding seat element left
- protruding seat element right

**801.51BUS32L**  
**801.51BUS32R**

- made of high-quality matt polyamide in the HEWI colors 99 (pure white), 95 (stone gray) and 92 (anthracite gray)
- protruding seat element left
- protruding seat element right



**801.51US321S**

**HEWI L-shaped shower seat with floor support**

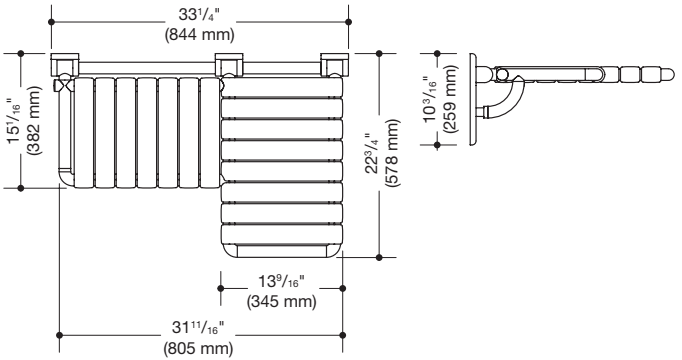
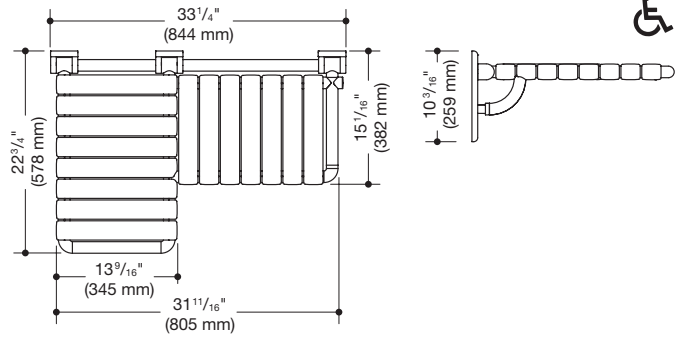
- with made-to-measure floor support for absorbing vertical application of force
- for seat heights from 17" to 19" (432 to 482 mm)
- made of high-quality polyamide in the HEWI colors 99 (pure white), 95 (stone gray), 92 (anthracite gray), 90 (jet black), 86 (sand), 84 (umber) and 33 (ruby red)
- protruding seat element left or right

**3 matt HEWI colors**



Item Number

Dimensions / Specification



**801.51US330L**  
**801.51US330R**

**801.51BUS33L**  
**801.51BUS33R**

**801.51US331S**

**HEWI L-shaped shower seat**

- construction of rails and seat elements
- can be folded up
- with corrosion resistant steel core
- wall plate made of polyamide with integrated steel core
- includes fixing material for mounting to cavity walls with wood backlining of two 2" x 16" laminate or hardwood boards connected with a 1/2" x 16" plywood board
- concealed fixing
- seat elements 2 3/16" (55 mm) wide
- maximum loading capacity 450 lbs (204 kg)
- meets the requirements of 2010 ADA standards and ICC/ANSI A117.1-2017

- made of high-quality polyamide in the HEWI colors 99 (pure white), 95 (stone gray), 92 (anthracite gray), 90 (jet black), 86 (sand), 84 (umber) and 33 (ruby red)
- protruding seat element left
- protruding seat element right

- made of high-quality matt polyamide in the HEWI colors 99 (pure white), 95 (stone gray) and 92 (anthracite gray)
- protruding seat element left
- protruding seat element right

**HEWI L-shaped shower seat with floor support**

- with made-to-measure floor support for absorbing vertical application of force
- for seat heights from 17" to 19" (432 to 482 mm)
- made of high-quality polyamide in the HEWI colors 99 (pure white), 95 (stone gray), 92 (anthracite gray), 90 (jet black), 86 (sand), 84 (umber) and 33 (ruby red)
- protruding seat element left or right

**7 HEWI colors**

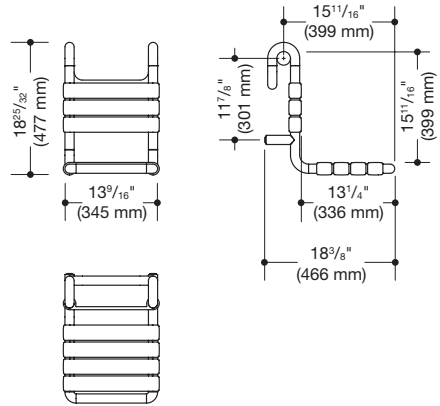


Item Number

Dimensions / Specification



801.51US100

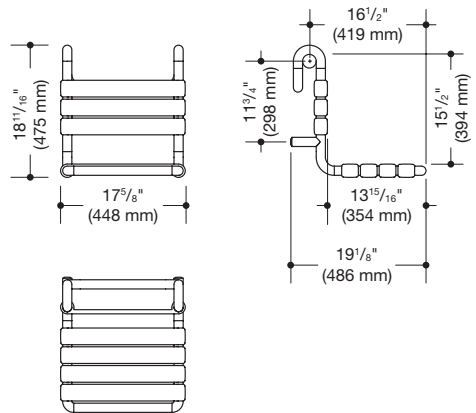


**HEWI Removable hanging seat**

- frame with polyamide seat and back rest slats
- for hanging from shower grab rails or support rails with bars 2 3/4" (33 mm)
- with corrosion resistant steel core
- maximum loading capacity 330.7 lbs (150 kg)
- 13 9/16" (345 mm) wide, 18 3/4" (477 mm) high, 18 3/8" (466 mm) deep
- seat 13 9/16" (345 mm) wide, 13 1/4" (336 mm) deep
- seat and back rest slats 2 3/16" (55 mm) wide
- made of high-quality polyamide in 7 HEWI colors



801.51US110



**HEWI Removable hanging seat**

- frame with polyamide seat and back rest slats
- for hanging from shower grab rails or support rails with bars 2 3/4" (33 mm)
- with corrosion resistant steel core
- maximum loading capacity 330.7 lbs (150 kg)
- seat 17 5/8" (448 mm) wide, 18 11/16" (475 mm) high, 19 1/8" (486 mm) deep
- seat 17 5/8" (448 mm) wide, 13 15/16" (354 mm) deep
- seat and back rest slats 2 3/16" (55 mm) wide
- made of high-quality polyamide in 7 HEWI colors

**7 HEWI colors**

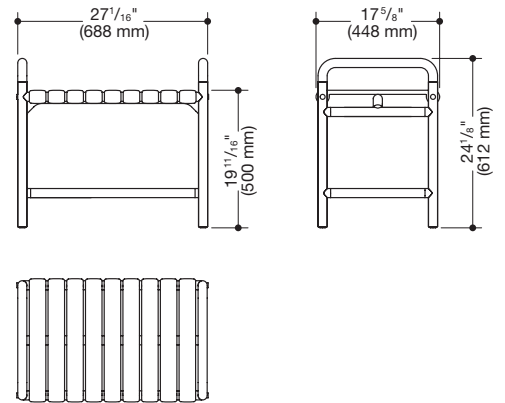


Item Number

Dimensions / Specification



801.51.8400

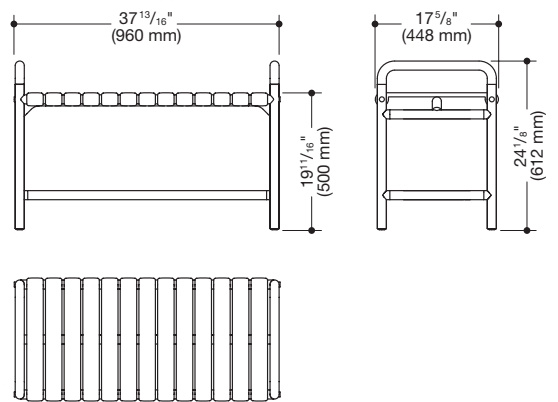


**HEWI Shower bench**

- suitable for use in the shower
- made of rail system  $\varnothing$  33 mm, with continuous, corrosion resistant steel core
- with additional, side support rails
- 27 1/16" (688 mm) wide, 17 5/8" (448 mm) deep, seat elements 2 3/16" (55 mm) wide
- seat height 19 11/16" (500 mm), total height 24 1/8" (612 mm)
- loading capacity 771.6 lbs (350 kg)
- made of high-quality polyamide in 7 HEWI colors



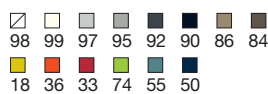
801.51.8410



**HEWI Shower bench**

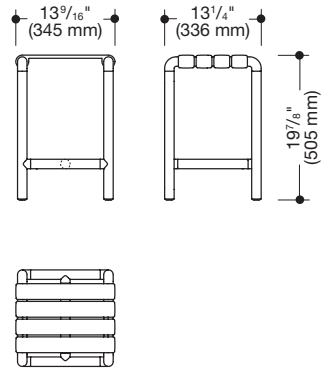
- suitable for use in the shower
- made of rail system  $\varnothing$  33 mm, with continuous, corrosion resistant steel core
- with additional, side support rails
- 37 13/16" (960 mm) wide, 17 5/8" (448 mm) deep, seat elements 2 3/16" (55 mm) wide
- seat height 19 11/16" (500 mm), total height 24 1/8" (612 mm)
- loading capacity 771.6 lbs (350 kg)
- made of high-quality polyamide in 7 HEWI colors

**14 HEWI colors**



Item Number

Dimensions / Specification



**801.51.300**  
**801.51B300**

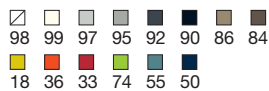
**HEWI Stool**

- with continuous, corrosion resistant steel core
- maximum loading capacity 150 kg
- 13 9/16" (345 mm) wide, 19 7/8" (505 mm) high, 13 1/4" (336 mm) deep
- weight 17.2 lbs (7,8 kg)
- made of high-quality polyamide in 14 HEWI colors
- made of high-quality matt polyamide in 5 HEWI colors

**5 matt HEWI colors**



**14 HEWI colors**





Range 477/801  
Support

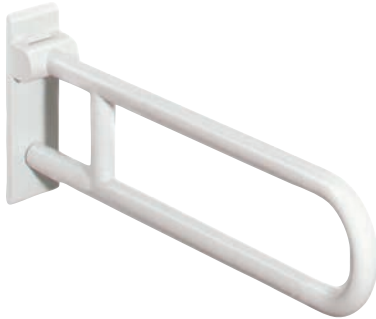
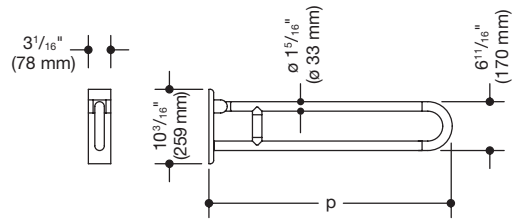
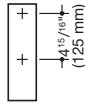


Item Number

Dimensions / Specification



Drill hole



**HEWI Swing-up grab bar, rotatable**

- two parallel bars running one above the other joined by a connecting bend
- for holding onto and as a support
- load capacity up to 220.5 lbs (100 kg)
- with corrosion resistant steel core and wall mounting plate made of polyamide with integrated steel core
- can be folded upwards and, with friction device, downwards
- a turn to left or right locks support in vertical position
- wall mounting with wall-specific HEWI fixing material
- concealed fastening
- 10 3/16" (259 mm) high and 3 1/16" (78 mm) wide, rail  $\varnothing$  1 5/16" (33 mm)
- upgrade kit toilet roll holder 801.50US010 for retrofitting

· made of high-quality polyamide in 14 HEWI colors

Projection p

- 23 5/8" (600 mm)
- 27 9/16" (700 mm)
- 33 7/16" (850 mm)
- 35 7/16" (900 mm)
- 29 1/2" (750 mm)

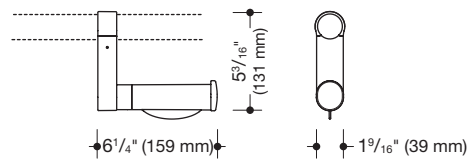
· made of high-quality matt polyamide in 5 HEWI colors

Projection p

- 23 5/8" (600 mm)
- 27 9/16" (700 mm)
- 33 7/16" (850 mm)
- 35 7/16" (900 mm)
- 29 1/2" (750 mm)

- 801.50.100**
- 801.50.110**
- 801.50.120**
- 801.50.130**
- 801.50.140**

- 801.50B100**
- 801.50B110**
- 801.50B120**
- 801.50B130**
- 801.50B140**



**801.50US010**

**HEWI Upgrade kit toilet roll holder**

- right angle-shaped toilet roll holder
- for simple installation and for retrofitting with HEWI rail system  $\varnothing$  1 5/16" (33 mm) and swing-up grab bar range 801
- with integrated hard friction/rotation control to accommodate standard toilet rolls
- 1 9/16" (39 mm) wide, 5 3/16" (131 mm) high, 6 1/4" (159 mm) deep
- made of high-quality polyamide in the HEWI colors 99 (pure white), 95 (stone gray), 92 (anthracite gray), 90 (jet black), 86 (sand), 84 (umber) and 33 (ruby red)

**5 matt HEWI colors**

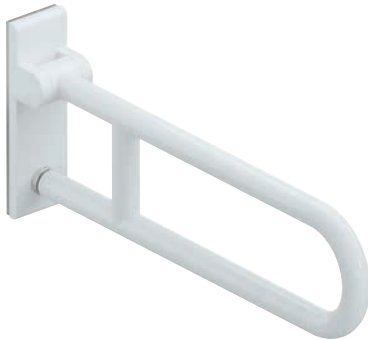
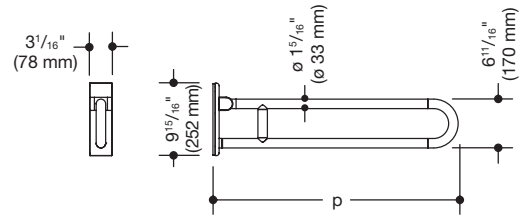
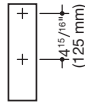


Item Number

Dimensions / Specification



Drill hole



**HEWI Mobile swing-up grab bar, rotatable**

- for mobile use
- two parallel bars running one above the other joined by a connecting bend
- for holding onto and as a support
- load capacity up to 220.5 lbs (100 kg)
- with corrosion resistant steel core
- can be folded upwards and, with friction device, downwards
- a turn to left or right locks support in vertical position
- for easy and flexible retrofitting on existing, preassembled mounting plate 950.50.016, to be ordered separately
- toolless and quick installation by simple attachment of the mobile hinged support rail
- secured by fixing screw to prevent unintentional removal
- 9 15/16" (252 mm) high and 3 1/16" (78 mm) wide, rail ø 1 5/16" (33 mm)
- upgrade kit toilet roll holder 801.50US010 for retrofitting

· made of high-quality polyamide in 14 HEWI colors

Projection p

- 23 5/8" (600 mm)
- 27 9/16" (700 mm)
- 33 7/16" (850 mm)
- 35 7/16" (900 mm)
- 29 1/2" (750 mm)

· made of high-quality matt polyamide in 5 HEWI colors

Projection p

- 23 5/8" (600 mm)
- 27 9/16" (700 mm)
- 33 7/16" (850 mm)
- 35 7/16" (900 mm)
- 29 1/2" (750 mm)

- 801.50.107**
- 801.50.117**
- 801.50.127**
- 801.50.137**
- 801.50.147**

- 801.50B107**
- 801.50B117**
- 801.50B127**
- 801.50B137**
- 801.50B147**

**Fixing material for mobile swing-up grab bars to be ordered separately**

for fixing on walls made of:

**BM17.2**

concrete > C20/C25, national technical approval number: ETA-11/0493

**BM10.2**

concrete > C20/C25

**BM11.2**

autoclaved aerated concrete (> P2)

**BM12.2**

lightweight walls with rear lining made of laminated timber boards ...

**BM13.2**

lightweight walls with integrated steel plates ...

**BM18.2**

hollow concrete block, vertically perforated bricks, solid bricks ..., national technical approval number: ETA-13/1036

**BM16.2US**

for fixing on cavity walls with wood lining

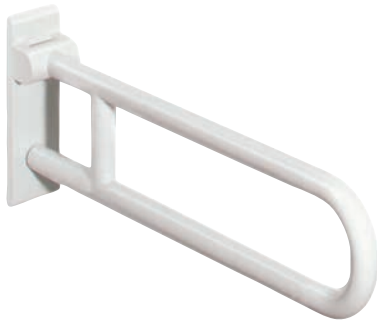
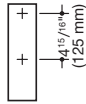
**14 HEWI colors**



Item Number

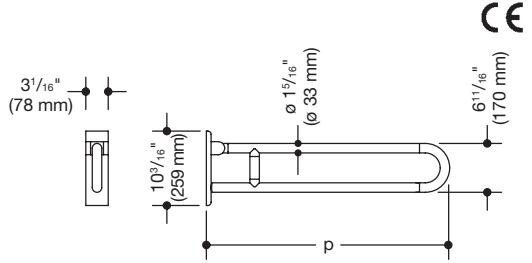
Dimensions / Specification

Drill hole



- 801.50.200
- 801.50.210
- 801.50.220
- 801.50.230
- 801.50.240

- 801.50B200
- 801.50B210
- 801.50B220
- 801.50B230
- 801.50B240



**HEWI Swing-up grab bar**

- two parallel bars running one above the other joined by a connecting bend
- for holding onto and as a support
- load capacity up to 220.5 lbs (100 kg)
- with corrosion resistant steel core and wall mounting plate made of polyamide with integrated steel core
- can be folded upwards and, with friction device, downwards
- wall mounting with wall-specific HEWI fixing material
- concealed fastening
- 10 3/16" (259 mm) high and 3 1/16" (78 mm) wide, rail ø 1 5/16" (33 mm)
- made of high-quality polyamide in the HEWI colors 99 (pure white), 95 (stone gray), 92 (anthracite gray), 90 (jet black), 86 (sand), 84 (umber) and 33 (ruby red)
- upgrade kit toilet roll holder 801.50US010 for retrofitting

· made of high-quality polyamide in 14 HEWI colors

Projection p

- 23 5/8" (600 mm)
- 27 9/16" (700 mm)
- 33 7/16" (850 mm)
- 35 7/16" (900 mm)
- 29 1/2" (750 mm)

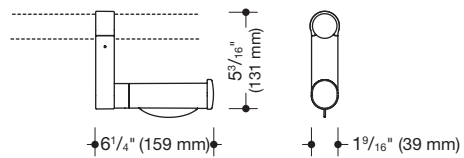
· made of high-quality matt polyamide in 5 HEWI colors

Projection p

- 23 5/8" (600 mm)
- 27 9/16" (700 mm)
- 33 7/16" (850 mm)
- 35 7/16" (900 mm)
- 29 1/2" (750 mm)



801.50US010



**HEWI Upgrade kit toilet roll holder**

- right angle-shaped toilet roll holder
- for simple installation and for retrofitting with HEWI rail system ø 1 5/16" (33 mm) and swing-up grab bar range 801
- with integrated hard friction/rotation control to accommodate standard toilet rolls
- 1 9/16" (39 mm) wide, 5 3/16" (131 mm) high, 6 1/4" (159 mm) deep
- made of high-quality polyamide in the HEWI colors 99 (pure white), 95 (stone gray), 92 (anthracite gray), 90 (jet black), 86 (sand), 84 (umber) and 33 (ruby red)

5 matt HEWI colors

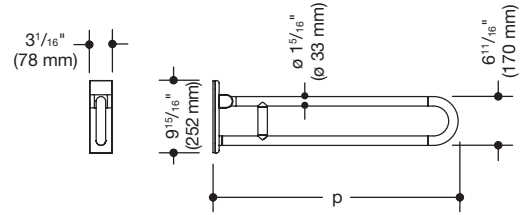
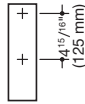


Item Number

Dimensions / Specification



Drill hole



**HEWI Mobile swing-up grab bar**

- for mobile use
- two parallel bars running one above the other joined by a connecting bend
- for holding onto and as a support
- load capacity up to 220.5 lbs (100 kg)
- with corrosion resistant steel core
- can be folded upwards and, with friction device, downwards
- for easy and flexible retrofitting on existing, preassembled mounting plate 950.50.016, to be ordered separately
- toolless and quick installation by simple attachment of the mobile hinged support rail
- secured by fixing screw to prevent unintentional removal
- 9 15/16" (252 mm) high and 3 1/16" (78 mm) wide, rail ø 1 5/16" (33 mm)
- upgrade kit toilet roll holder 801.50US010 for retrofitting

· made of high-quality polyamide in 14 HEWI colors

Projection p

- 23 5/8" (600 mm)
- 27 9/16" (700 mm)
- 33 7/16" (850 mm)
- 35 7/16" (900 mm)
- 29 1/2" (750 mm)

· made of high-quality matt polyamide in 5 HEWI colors

Projection p

- 23 5/8" (600 mm)
- 27 9/16" (700 mm)
- 33 7/16" (850 mm)
- 35 7/16" (900 mm)
- 29 1/2" (750 mm)

- 801.50.207**
- 801.50.217**
- 801.50.227**
- 801.50.237**
- 801.50.247**

- 801.50B207**
- 801.50B217**
- 801.50B227**
- 801.50B237**
- 801.50B247**

**Fixing material for mobile swing-up grab bars to be ordered separately**

for fixing on walls made of:

**BM17.2**

concrete > C20/C25, national technical approval number: ETA-11/0493

**BM10.2**

concrete > C20/C25

**BM11.2**

autoclaved aerated concrete (> P2)

**BM12.2**

lightweight walls with rear lining made of laminated timber boards ...

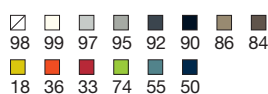
**BM13.2**

lightweight walls with integrated steel plates ...

**BM18.2**

hollow concrete block, vertically perforated bricks, solid bricks ..., national technical approval number: ETA-13/1036

**14 HEWI colors**

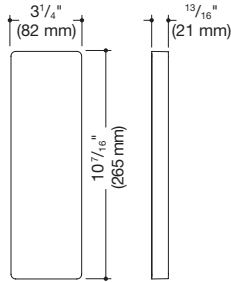
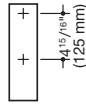


Item Number

Dimensions / Specification



Drill hole



950.50.10190

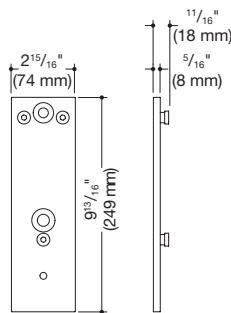
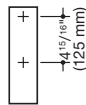
**HEWI Mounting plate with cover**

- 3 1/4" (82 mm) wide, 10 7/16" (265 mm) high, 13/16" (21 mm) deep
- mounting plate made of stainless steel, satin finished
- for mounting with corrosion-free and tested HEWI fixing material for different wall constructions
- sealing tape for sealing the fixing points is included in the scope of delivery
- cover made of high-quality synthetic material in HEWI colors 98 (signal white) or 99 (pure white)

**Fixing material** to be ordered separately, see page 235



Drill hole

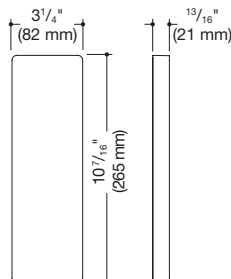


950.50.016

**HEWI Mounting plate**

- 2 15/16" (74 mm) wide, 9 13/16" (249 mm) high, 1 1/16" (18 mm) deep
- made of high-quality stainless steel, satin finished
- for mounting with corrosion-free and tested HEWI fixing material for different wall constructions
- sealing tape for sealing the fixing points is included in the scope of delivery

**Fixing material** to be ordered separately, see page 235



950.50.01790

**HEWI Cover for mounting plate**

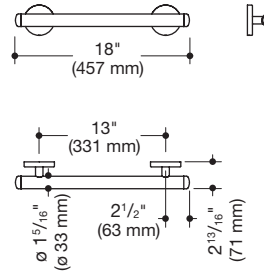
- for covering the installed mounting plate by simply hooking it in
- 3 1/4" (82 mm) wide, 10 7/16" (265 mm) high, 13/16" (21 mm) deep
- cover made of high-quality synthetic material in HEWI colors 98 (signal white) or 99 (pure white)

16 HEWI colors | Surfaces



Range 477/801  
Grip





- 950.36US1190
- 950.36US1390
- 950.36US1490
- 950.36US1590

**HEWI Grab bar**

- straight rail with supports straight to the wall and roses
- with corrosion-protected steel core throughout
- 2 13/16" (71 mm) deep, bar  $\varnothing$  1 5/16" (33 mm), roses  $\varnothing$  3 1/8" (80 mm)
- wall connection with discreet supports perpendicular to wall and flat roses
- easy installation due to individually mountable fixing plates made of stainless steel for hanging the support rail
- maximum loading capacity 250 lbs (113 kg)
- made of high-quality polyamide in the HEWI colors 99 (pure white), 95 (stone gray), 92 (anthracite gray), 90 (jet black), 86 (sand), 84 (umber) and 33 (ruby red)
- meets the requirements of 2010 ADA standards and ICC/ANSI A117.1-2017
- suitable for hanging seats 801.51US100 and 801.51US110
- length L = 18" (457 mm)
- length L = 24" (610 mm)
- length L = 36" (914 mm)
- length L = 42" (1067 mm)

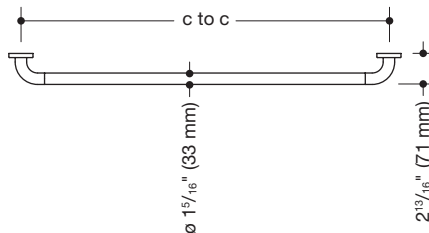
**3 matt HEWI colors**





Item Number

Dimensions / Specification



- 801.36US100
- 801.36US110
- 801.36US120
- 801.36US130
  
- 801.36US140
  
- 801.36US150
- 801.36US160

- 801.36BUS100
- 801.36BUS110
- 801.36BUS120
- 801.36BUS130
- 801.36BUS140
- 801.36BUS150
- 801.36BUS160

**HEWI Grab bar**

- rail with right-angled ends and fixing roses made of steel
- with corrosion-protected steel core throughout
- mounting with special fixing kit and roses from HEWI
- 2 13/16" (71 mm) deep, bar ø 1 5/16" (33 mm), roses ø 2 3/4" (70 mm)
- maximum loading capacity 330 lbs (150 kg)
- meets the requirements of 2010 ADA standards and ICC/ANSI A117.1-2017
- upgrade kit toilet roll holder 801.50US010 for retrofitting
  
- made of high-quality polyamide in the HEWI colors 99 (pure white), 95 (stone gray), 92 (anthracite gray), 90 (jet black), 86 (sand), 84 (umber) and 33 (ruby red)
- c to c 12" (305 mm)
- c to c 16" (406 mm)
- c to c 18" (457 mm)
- c to c 24" (610 mm), suitable for hanging seats 801.51US100 and 801.51US110
- c to c 30" (762 mm), suitable for hanging seats 801.51US100 and 801.51US110
- c to c 36" (914 mm)
- c to c 42" (1067 mm)
  
- made of high-quality matt polyamide in the HEWI colors 99 (pure white), 95 (stone gray) and 92 (anthracite gray)
- c to c 12" (305 mm)
- c to c 16" (406 mm)
- c to c 18" (457 mm)
- c to c 24" (610 mm), suitable for hanging seats
- c to c 30" (762 mm), suitable for hanging seats
- c to c 36" (914 mm)
- c to c 42" (1067 mm)



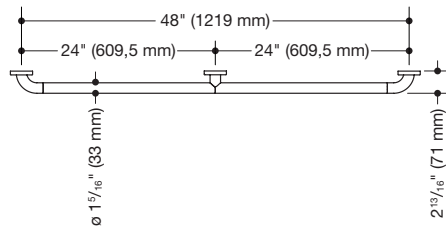
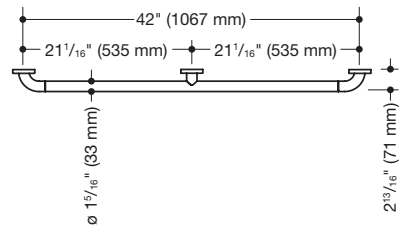
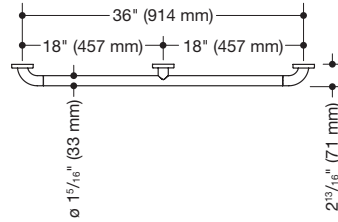
- 801.36US1250
- 801.36US1550
- 801.36US1650

**HEWI Grab bar | WARM TOUCH**

- made of high-quality chrome-look coated polyamide with warm touch
- rail with right-angled ends and fixing roses made of steel
- with corrosion-protected steel core throughout
- wall mounting with wall-specific fixing material and roses from HEWI
- 2 3/4" (70 mm) deep, bar ø 1 5/16" (33 mm), roses ø 2 3/4" (70 mm)
- maximum loading capacity 250 lbs (114 kg)
- meets the requirements of 2010 ADA standards and ICC/ANSI A117.1-2017
- upgrade kit toilet roll holder 801.50US010 for retrofitting
  
- c to c 18" (457 mm)
- c to c 36" (914 mm)
- c to c 42" (1067 mm)

7 HEWI colors

<span style="display: inline-block; width: 10px; height: 10px; background-color: white; border: 1px solid black; margin-right: 5px;"></span> 99	<span style="display: inline-block; width: 10px; height: 10px; background-color: #cccccc; border: 1px solid black; margin-right: 5px;"></span> 95	<span style="display: inline-block; width: 10px; height: 10px; background-color: #333333; border: 1px solid black; margin-right: 5px;"></span> 92	<span style="display: inline-block; width: 10px; height: 10px; background-color: #000000; border: 1px solid black; margin-right: 5px;"></span> 90	<span style="display: inline-block; width: 10px; height: 10px; background-color: #808080; border: 1px solid black; margin-right: 5px;"></span> 86	<span style="display: inline-block; width: 10px; height: 10px; background-color: #404040; border: 1px solid black; margin-right: 5px;"></span> 84	<span style="display: inline-block; width: 10px; height: 10px; background-color: #800000; border: 1px solid black; margin-right: 5px;"></span> 33
---	---	---	---	---	---	---



**HEWI Grab bar**

- rail curved at right-angles at the ends with steel fixing roses and centrally positioned third support
- with corrosion-protected steel core throughout
- wall mounting with wall-specific fixing material and roses from HEWI
- 2 3/4" (70 mm) deep, bar  $\varnothing$  1 5/16" (33 mm), roses  $\varnothing$  2 3/4" (70 mm)
- suitable for removable hanging seat 801.51US100
- maximum loading capacity 330 lbs (150 kg)
- meets the requirements of 2010 ADA standards and ICC/ANSI A117.1-2017
- upgrade kit toilet roll holder 801.50US010 for retrofitting

- made of high-quality polyamide in the HEWI colors 99 (pure white), 95 (stone gray), 92 (anthracite gray), 90 (jet black), 86 (sand), 84 (umber) and 33 (ruby red)
- c to c 36" (914 mm)
- c to c 42" (1067 mm)
- c to c 48" (1219 mm)

- made of high-quality matt polyamide in the HEWI colors 99 (pure white), 95 (stone gray) and 92 (anthracite gray)
- c to c 36" (914 mm)
- c to c 42" (1067 mm)
- c to c 48" (1219 mm)

801.36US200  
801.36US210  
801.36US220

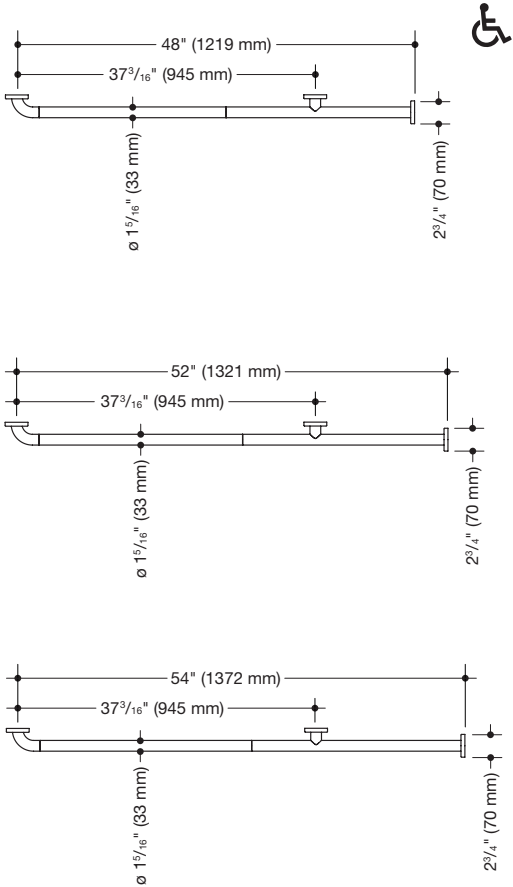
801.36BUS200  
801.36BUS210  
801.36BUS220

**3 matt HEWI colors**



Item Number

Dimensions / Specification

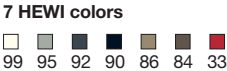


801.36US300  
801.36US310  
801.36US320

801.36BUS300  
801.36BUS310  
801.36BUS320

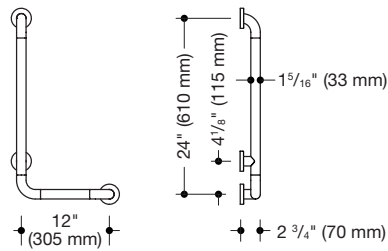
**HEWI Grab bar**

- rail with corrosion-protected steel core throughout and steel fixing roses
- one end has a right-angle curve, the other end is straight for holding onto and as a support
- with corrosion-protected steel core throughout
- wall mounting with wall-specific fixing material and roses from HEWI
- 2 3/4" (70 mm) deep, bar  $\phi$  1 5/16" (33 mm), roses  $\phi$  2 3/4" (70 mm)
- maximum loading capacity 330 lbs (150 kg)
- meets the requirements of 2010 ADA standards and ICC/ANSI A117.1-2017
- upgrade kit toilet roll holder 801.50US010 for retrofitting
- made of high-quality polyamide in the HEWI colors 99 (pure white), 95 (stone gray), 92 (anthracite gray), 90 (jet black), 86 (sand), 84 (umber) and 33 (ruby red)
- c to c 48" (1219 mm)
- c to c 52" (1321 mm)
- c to c 54" (1372 mm)
- made of high-quality matt polyamide in the HEWI colors 99 (pure white), 95 (stone gray) and 92 (anthracite gray)
- c to c 48" (1219 mm)
- c to c 52" (1321 mm)
- c to c 54" (1372 mm)



Item Number

Dimensions / Specification



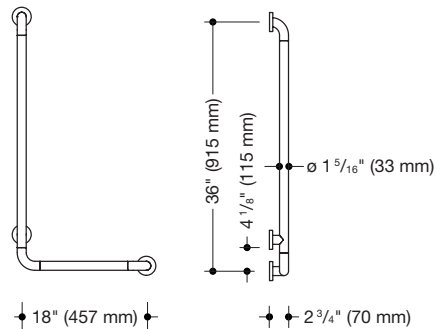
**801.22US100**

**801.22BUS100**

**HEWI L-shaped grab bar**

- vertical and horizontal bars joined to form an L-shape with fixing roses made of steel
- with corrosion-protected steel core throughout
- can be mounted in left hand or right hand position
- wall mounting with wall-specific fixing material and roses from HEWI
- 2 3/4" (70 mm) deep, bars  $\phi$  1 5/16" (33 mm), roses  $\phi$  2 3/4" (70 mm)
- maximum loading capacity 330 lbs (150 kg)
- meets the requirements of 2010 ADA standards and ICC/ANSI A117.1-2017
- upgrade kit toilet roll holder 801.50US010 for retrofitting

- made of high-quality polyamide in the HEWI colors 99 (pure white), 95 (stone gray), 92 (anthracite gray), 90 (jet black), 86 (sand), 84 (umber) and 33 (ruby red)
- made of high-quality matt polyamide in the HEWI colors 99 (pure white), 95 (stone gray) and 92 (anthracite gray)



**801.22US110**

**801.22BUS110**

**HEWI L-shaped grab bar**

- vertical and horizontal bars joined to form an L-shape with fixing roses made of steel
- with corrosion-protected steel core throughout
- can be mounted in left hand or right hand position
- wall mounting with wall-specific fixing material and roses from HEWI
- 2 3/4" (70 mm) deep, bars  $\phi$  1 5/16" (33 mm), roses  $\phi$  2 3/4" (70 mm)
- maximum loading capacity 330 lbs (150 kg)
- meets the requirements of 2010 ADA standards and ICC/ANSI A117.1-2017
- upgrade kit toilet roll holder 801.50US010 for retrofitting

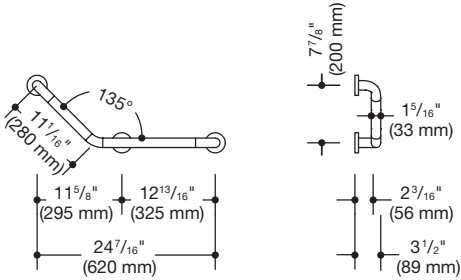
- made of high-quality polyamide in the HEWI colors 99 (pure white), 95 (stone gray), 92 (anthracite gray), 90 (jet black), 86 (sand), 84 (umber) and 33 (ruby red)
- made of high-quality matt polyamide in the HEWI colors 99 (pure white), 95 (stone gray) and 92 (anthracite gray)

**5 matt HEWI colors**



Item Number

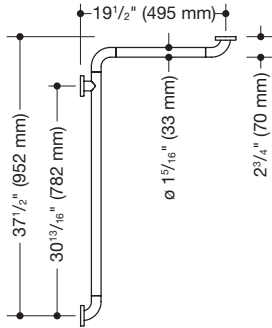
Dimensions / Specification



**HEWI L-shaped grab bar**

- bars joined at a flat angle
- bars with corrosion-protected steel core throughout and steel fixing roses, 88 mm deep
- increased stability through 3 mounting supports
- not intended for hanging seats
- can be mounted in left hand or right hand position
- wall mounting with wall-specific fixing material and roses from HEWI
- c to c 11 5/8" (295 mm), 12 13/16" (325 mm) and 7 7/8" (200 mm), angle 135°, 3 1/2" (89 mm) deep
- bars  $\varnothing$  1 5/16" (33 mm), roses  $\varnothing$  2 3/4" (70 mm)
- made of high-quality polyamide in 14 HEWI colors
- made of high-quality matt polyamide in 5 HEWI colors

801.22.200  
801.22B200



**HEWI Shower grab bar**

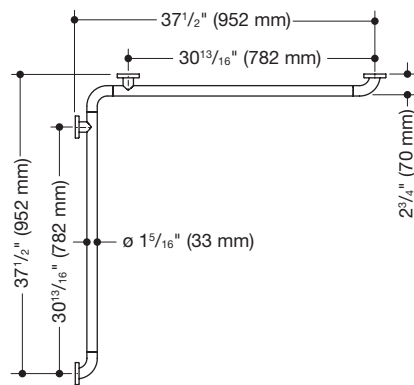
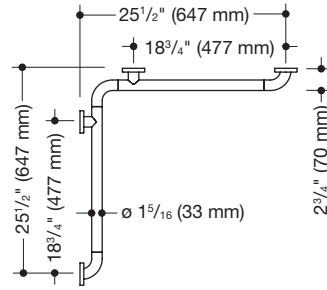
- arranged horizontally, bars connected at a right angle with steel fixing roses
- horizontal lengths 37 1/2" x 19 1/2" (952 x 495 mm)
- 2 3/4" (70 mm) deep, bars  $\varnothing$  1 5/16" (33 mm), roses  $\varnothing$  2 3/4" (70 mm)
- with corrosion-protected steel core throughout
- wall mounting with wall-specific fixing material and roses from HEWI
- can be mounted on the right and left side
- suitable for removable hanging seats 801.51US100 and 801.51US110
- maximum loading capacity 330 lbs (150 kg)
- meets the requirements of 2010 ADA standards and ICC/ANSI A117.1-2017
- made of high-quality polyamide in the HEWI colors 99 (pure white), 95 (stone gray), 92 (anthracite gray), 90 (jet black), 86 (sand), 84 (umber) and 33 (ruby red)
- made of high-quality matt polyamide in the HEWI colors 99 (pure white), 95 (stone gray) and 92 (anthracite gray)

801.35US100

801.35BUS100

**14 HEWI colors**

98	99	97	95	92	90	86	84
18	36	33	74	55	50		



**HEWI Shower grab bar**

- arranged horizontally, rods connected at a right angle with steel fixing roses
- horizontal lengths 25 1/2" x 25 1/2" (647 x 647 mm)
- 2 3/4" (70 mm) deep, bars  $\phi$  1 5/16" (33 mm), roses  $\phi$  2 3/4" (70 mm)
- with corrosion-protected steel core throughout
- wall mounting with wall-specific fixing material and roses from HEWI
- can be mounted on the right and left side
- suitable for removable hanging seats 801.51US100 and 801.51US110
- maximum loading capacity 330 lbs (150 kg)
- meets the requirements of 2010 ADA standards and ICC/ANSI A117.1-2017

- made of high-quality polyamide in the HEWI colors 99 (pure white), 95 (stone gray), 92 (anthracite gray), 90 (jet black), 86 (sand), 84 (umber) and 33 (ruby red)
- c to c 25 1/2" x 25 1/2" (647 x 647 mm)
- c to c 37 1/2" x 37 1/2" (952 x 952 mm)

- made of high-quality matt polyamide in the HEWI colors 99 (pure white), 95 (stone gray) and 92 (anthracite gray)
- c to c 25 1/2" x 25 1/2" (647 x 647 mm)
- c to c 37 1/2" x 37 1/2" (952 x 952 mm)

**801.35US110**  
**801.35US120**

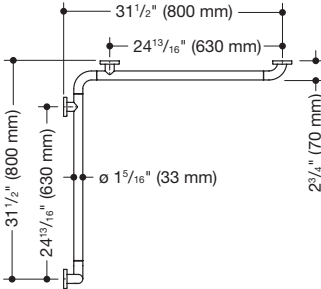
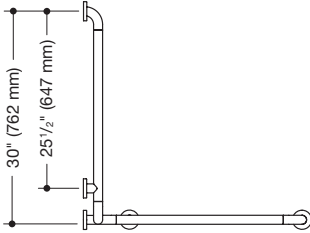
**801.35BUS110**  
**801.35BUS120**

**3 matt HEWI colors**



Item Number

Dimensions / Specification



**HEWI Shower grab bar**

- positioned horizontally and vertically, rails connected at a right angle with steel fixing roses
- with corrosion-protected steel core throughout
- vertical length 30" (762 mm), horizontal lengths 31 1/2" (800 mm)
- 2 3/4" (70 mm) deep, bars  $\phi$  1 5/16" (33 mm), roses  $\phi$  2 3/4" (70 mm)
- wall mounting with wall-specific fixing material and roses from HEWI
- can be mounted on the right and left side
- maximum loading capacity 330 lbs (150 kg)
- suitable for removable hanging seats 801.51US100 and 801.51US110
- meets the requirements of 2010 ADA standards and ICC/ANSI A117.1-2017

**801.35US200**

- made of high-quality polyamide in the HEWI colors 99 (pure white), 95 (stone gray), 92 (anthracite gray), 90 (jet black), 86 (sand), 84 (umber) and 33 (ruby red)

**801.35BUS200**

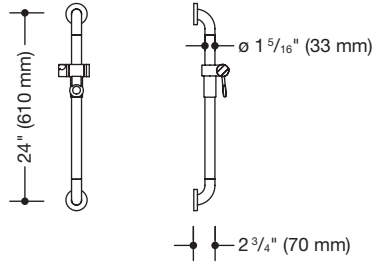
- made of high-quality matt polyamide in the HEWI colors 99 (pure white), 95 (stone gray) and 92 (anthracite gray)

**7 HEWI colors**



Item Number

Dimensions / Specification



**HEWI Grab bar with shower head holder**

- vertical rail curved at right-angles at the ends with fixing roses and shower head holder
- suitable for handheld shower heads from various manufacturers
- shower head holder can be tilted continuously and its height can be adjusted by pulling or pushing a broad lever
- cone-shaped insert on the shower head holder makes it easier to mount the handheld shower head
- with corrosion-protected steel core throughout
- wall mounting with wall-specific fixing material and roses from HEWI
- c to c 24" (610 mm) 2 3/4" (70 mm) deep, bar  $\varnothing$  1 5/16" (33 mm), roses  $\varnothing$  2 3/4" (70 mm)
- maximum loading capacity 330 lbs (150 kg)
- meets the requirements of 2010 ADA standards and ICC/ANSI A117.1-2017

**801.33US100**

- made of high-quality polyamide in the HEWI colors 99 (pure white), 95 (stone gray), 92 (anthracite gray), 90 (jet black), 86 (sand), 84 (umber) and 33 (ruby red)

**801.33BUS100**

- made of high-quality matt polyamide in the HEWI colors 99 (pure white), 95 (stone gray) and 92 (anthracite gray)

**801.33USE02**

**HEWI Shower head holder (USA)** see page 252

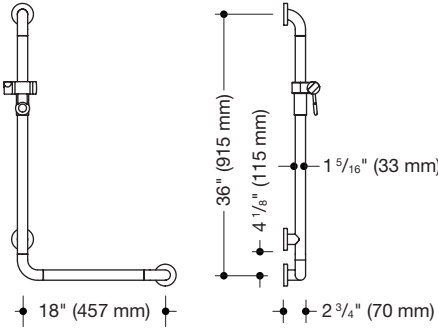
**3 matt HEWI colors**





Item Number

Dimensions / Specification



**HEWI L-shaped grab bar with shower head holder**

- can be mounted on the right and left side
- positioned horizontally and vertically, rails connected at a right angle with steel fixing roses and shower head holder
- for holding onto and as a support in the shower and bathtub
- suitable for handheld shower heads from various manufacturers
- shower head holder can be tilted continuously and its height can be adjusted by pulling or pushing a broad lever
- cone-shaped insert on the shower head holder makes it easier to mount the handheld shower head
- with corrosion-protected steel core throughout
- wall mounting with wall-specific fixing material and roses from HEWI
- horizontal length 18" (457 mm), vertical length 36" (915 mm), 2 3/4" (70 mm) deep
- bars ø 1 5/16" (33 mm), roses ø 2 3/4" (70 mm)
- maximum loading capacity 330 lbs (150 kg)
- meets the requirements of 2010 ADA standards and ICC/ANSI A117.1-2017

**801.33US200**

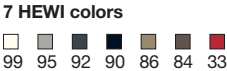
- made of high-quality polyamide in the HEWI colors 99 (pure white), 95 (stone gray), 92 (anthracite gray), 90 (jet black), 86 (sand), 84 (umber) and 33 (ruby red)

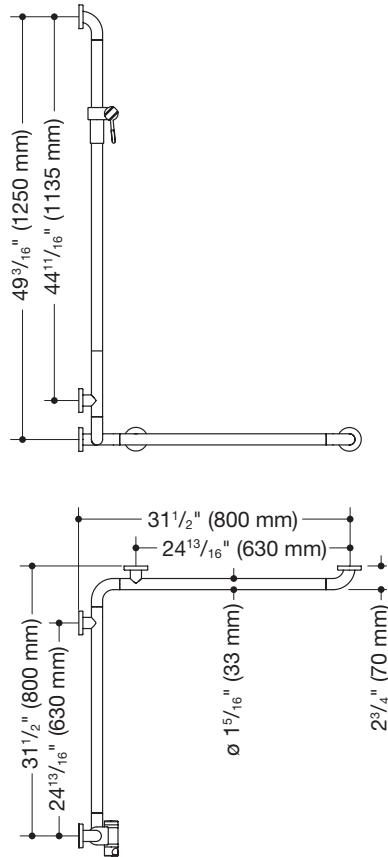
**801.33BUS200**

- made of high-quality matt polyamide in the HEWI colors 99 (pure white), 95 (stone gray) and 92 (anthracite gray)

**801.33USE02**

**HEWI Shower head holder (USA)** see page 252





**HEWI Grab bar with shower head holder**

- positioned horizontally and vertically, rails connected at a right angle with steel fixing roses and shower head holder
- with corrosion-protected steel core throughout
- vertical length 49 3/16" (1250 mm), horizontal lengths 31 1/2" (800 mm)
- 2 3/4" (70 mm) deep, bars  $\varnothing$  1 5/16" (33 mm), roses  $\varnothing$  2 3/4" (70 mm)
- suitable for handheld shower heads from various manufacturers
- shower head holder can be tilted continuously and its height can be adjusted by pulling or pushing a broad lever
- cone-shaped insert on the shower head holder makes it easier to mount the handheld shower head
- wall mounting with wall-specific fixing material and roses from HEWI
- can be mounted on the right and left side
- maximum loading capacity 330 lbs (150 kg)
- suitable for removable hanging seats 801.51US100 and 801.51US110
- meets the requirements of 2010 ADA standards and ICC/ANSI A117.1-2017

**801.35US220**

- made of high-quality polyamide in the HEWI colors 99 (pure white), 95 (stone gray), 92 (anthracite gray), 90 (jet black), 86 (sand), 84 (umber) and 33 (ruby red)

**801.35BUS220**

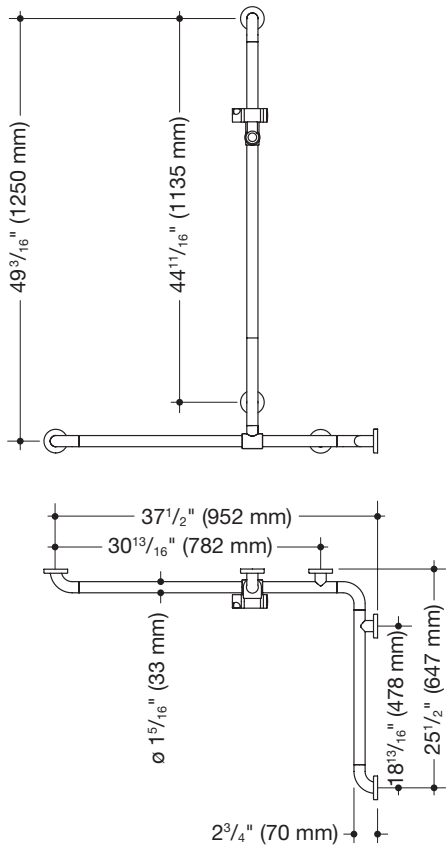
- made of high-quality matt polyamide in the HEWI colors 99 (pure white), 95 (stone gray) and 92 (anthracite gray)

**3 matt HEWI colors**



Item Number

Dimensions / Specification



**HEWI Shower grab bar with vertical adjustable support bar and shower head holder**

- positioned horizontally and vertically, rails connected at a right angle with steel fixing roses and shower head holder
- with sideways (for mounting) adjustable vertical rail with shower head holder
- with corrosion-protected steel core throughout
- vertical length 49 3/16" (1250 mm), horizontal lengths 37 1/2" (952 mm) and 25 1/2" (647 mm)
- 2 3/4" (70 mm) deep, bars  $\phi$  1 5/16" (33 mm), roses  $\phi$  2 3/4" (70 mm)
- suitable for handheld shower heads from various manufacturers
- shower head holder can be tilted continuously and its height can be adjusted by pulling or pushing a broad lever
- cone-shaped insert on the shower head holder makes it easier to mount the handheld shower head
- wall mounting with wall-specific fixing material and roses from HEWI
- can be mounted on the right and left side
- maximum loading capacity 330 lbs (150 kg)
- suitable for removable hanging seats 801.51US100 and 801.51US110
- meets the requirements of 2010 ADA standards and ICC/ANSI A117.1-2017

801.35US310

801.35BUS310

- made of high-quality polyamide in the HEWI colors 99 (pure white), 95 (stone gray), 92 (anthracite gray), 90 (jet black), 86 (sand), 84 (umber) and 33 (ruby red)
- made of high-quality matt polyamide in the HEWI colors 99 (pure white), 95 (stone gray) and 92 (anthracite gray)

7 HEWI colors

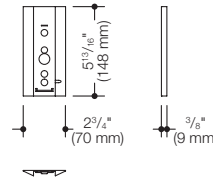
99	95	92	90	86	84	33

Item Number

Dimensions / Specification

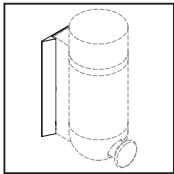


**New** 477.06.E04



**HEWI Wall-mounted base  
for soap dispenser 477.06.10005**

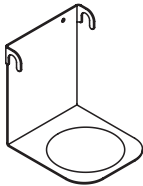
- wall-mounted base to conceal drill holes
- made of high-quality polyamide in 16 HEWI colors



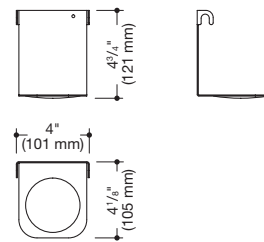
**New** 477.06BE04

**for soap dispenser 477.06B1005**

- do., made of high-quality matt polyamide in HEWI colors 99 (pure white), 98 (signal white), 97 (light grey), 95 (stone grey), 92 (anthracite grey), 90 (jet black), 74 (apple green) and 55 (aqua blue)



**New** 477.06.E0360



**HEWI Drip tray  
for soap dispenser 477.06.101..., 477.06B101...,  
SENSORIC soap dispenser 477.06.102..., 477.06B102...,  
SENSORIC foam soap dispenser 477.06.103..., 477.06B103...,  
SENSORIC disinfectant dispenser 477.06.104..., 477.06B104...**

- serves to collect dripping disinfectant and soap
- made of metal, powder-coated in HEWI colors DX (matt white) and FV (matt pure white)
- 4" (101 mm) wide, 4 3/4" (121 mm) high and 4 1/8" (105 mm) deep



51876

**HEWI Ring insert  
for waste bin 477.05.100 and 477.05.300**

- made of high-quality black polyamide
- for receiving the hygiene bag



477.06.E01

**HEWI Key  
for paper towel dispenser 477.06...600055**

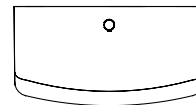
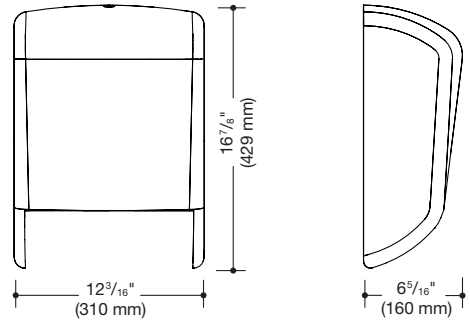
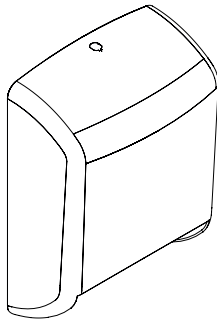
- for locking the upper part

5 matt HEWI colors



Item Number

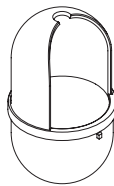
Dimensions / Specification



477.06.E02

**HEWI Container**  
for paper towel dispenser 477.06.60005, 477.06B60005

- 12 3/16" (310 mm) wide, 16 7/8" (429 mm) high and 6 5/16" (160 mm) deep
- made of high-quality white-translucent synthetic material



477.20.E04

**HEWI Toilet brush container**  
for toilet brush unit 477.20.100

- made of high-quality polyamide in 16 HEWI colors
- Please advise color when ordering.



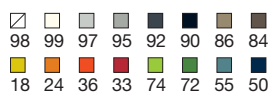
477.20.E03  
68562

**HEWI Brush handle**  
for toilet brush unit 477.20... and toilet brush 477.20...010

- suitable for brush head 921037, 921038 and 921044
- with bayonet fixing
- made of high-quality polyamide in 16 HEWI colors
- made of high-quality matt polyamide in 5 HEWI colors

Please advise color when ordering.

16 HEWI colors





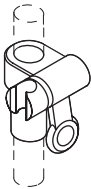
921037  
921044  
921038

**HEWI Brush head**

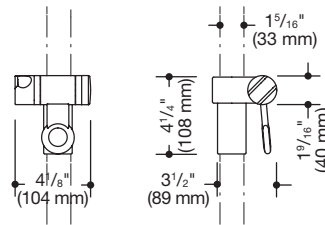
**for toilet brush unit 477.20... and toilet brush 477.20...**

- for easy replacement on toilet brush by bayonet fixing
- with black bristles
- $\varnothing$  3 3/16" (81 mm)

packing unit 1 pc  
packing unit 5 pcs  
packing unit 25 pcs



801.33USE02



**HEWI Shower head holder (USA)**

- for rails with shower head holder, L-shaped support rails with shower head holder and shower & bathtub hand rails from Range 801 (USA)
- with conical holding element (left) for shower hose and shower head
- adjustable to desired angle (smooth adjusting) and height
- conical holding element facilitates accommodation of handspray
- 4 1/4" (108 mm) high, 3 11/16" (93 mm) wide
- made of high-quality polyamide in the HEWI colors 99 (pure white), 95 (stone gray), 92 (anthracite gray), 90 (jet black), 86 (sand), 84 (umber) and 33 (ruby red)
- with shower head holder marked in contrast (black or white)



39006  
68556

**HEWI Masking cap**

**for hinged support rail 801.50... a. hinged seat 801.51...**

- two caps to cover the fixing points
- $\varnothing$  7/8" (23 mm)
- delivery in pairs

· made of high-quality polyamide in 14 HEWI colors  
· made of high-quality matt polyamide in 5 HEWI colors

Please advise color when ordering.

**5 matt HEWI colors**



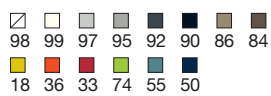
Item Number

Dimensions / Specification

---

---

**14 HEWI colors**



## System 100



### PRODUCT CHARACTERISTICS

- Comprehensive system solutions comprising sanitary products as well as also handrails and fittings enable a continuous design from the front door through to the bathroom
- High quality due to utilising real materials, such as e.g. inserts made of satin-finished crystal glass
- High product range depth enables the design of individual bathrooms tailor-made to the wishes of the user

### RECOMMENDED APPLICATION AREAS

Home, Hotel





# System 100

## DESIGN

Phoenix Design, Stuttgart/Munich/Shanghai

## MATERIAL AND SURFACES

High-quality chrome-plated, inserts made of satin crystal glass

## ACCESSORIES

Product range	257
Basin area	258 – 260
Toilet area	261
Shower and bath area	261 – 262





**SURFACES | INSERTS**

- Chrome
- Satin-finished crystal glass



**Tumbler with holder**  
100.04.12145 page 258

- Holder
- Tumbler



**Soap dispenser with holder**  
100.06.11045 page 258

- Holder, pump head
- Soap dispenser



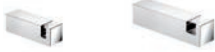
**Soap dish with holder**  
100.02.11145 page 259

- Holder
- Soap dish



**Shelf**  
100.03.10045 | 600 mm page 259

- Holder
- Shelf



**Hook**  
100.90.01040 page 260  
100.90.02040 page 260

- 



**Double hook**  
100.90.03040 page 260

- 



**Toilet roll holder**  
100.21.10040 page 261

- 



**Support rail**  
100.36.1...40 page 261

- 



**Bath towel shelf**  
100.30.10040 | 600 mm page 262

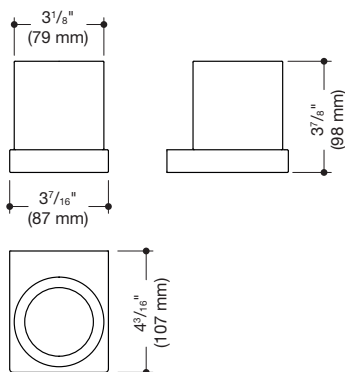
-

Item Number

Dimensions / Specification



100.04.12145



**HEWI Tumbler with holder**

- holder made of metal, high-quality chrome-plated
- with protective ring made of flexible polyethylene for a secure, defined position and to protect the glass insert from damage
- tumbler made of high-quality, satin crystal glass, ø 79 mm
- for wall mounting, concealed fixing
- 3 7/16" (87 mm) wide, 3 7/8" (98 mm) high and 4 3/16" (107 mm) deep
- including non-corrosive HEWI fixing material

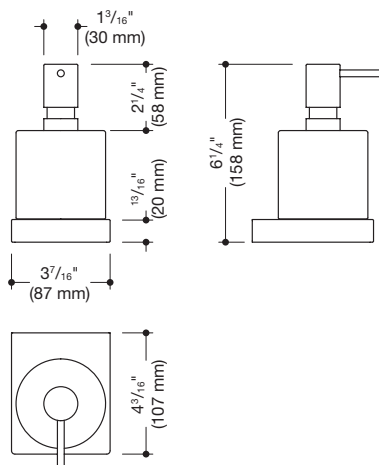
- Holder
- Tumbler

100.04.E01

**HEWI Glass tumbler**



100.06.11045



**HEWI Soap dispenser with holder**

- serves to hold commercially available liquid soap, disinfectants and gels
- holder made of metal, high-quality chrome-plated
- with protective ring made of flexible polyethylene for a secure, defined position and to protect the glass insert from damage
- soap dispenser made of high-quality, satin crystal glass
- for wall mounting, concealed fixing
- 3 7/16" (87 mm) wide, 6 1/4" (158 mm) high and 4 3/16" (107 mm) deep
- including non-corrosive HEWI fixing material

- Holder
- Soap dispenser

100.06.E01

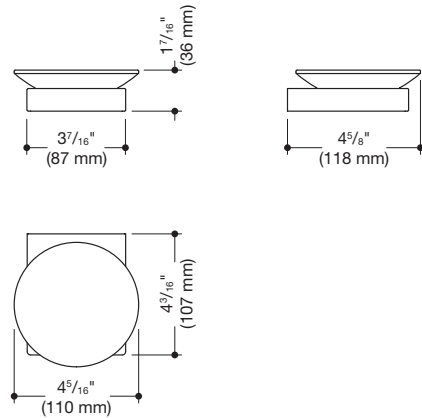
100.03.E02

**HEWI Glass container**

**HEWI Pump head chrome**

Item Number

Dimensions / Specification



**100.02.11145**

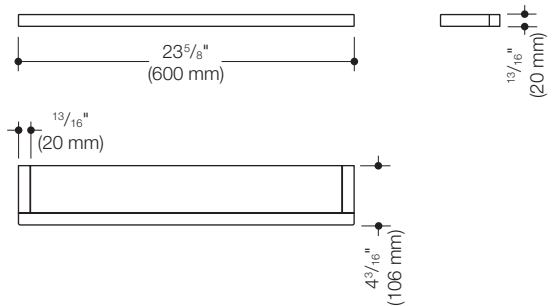
**HEWI Soap dish with holder**

- holder made of metal, high-quality chrome-plated
- with protective ring made of flexible polyethylene for a secure, defined position and to protect the glass insert from damage
- soap dish made of high-quality, satin crystal glass
- for wall mounting, concealed fixing
- 4 5/16" (110 mm) wide, 1 7/16" (36 mm) high and 4 5/8" (118 mm) deep
- including non-corrosive HEWI fixing material

- Holder
- Soap dish

**62523**

**HEWI Soap dish**



**100.03.10045**

**HEWI Shelf**

- shelf with all-round edge with square profile and high-quality, satin glass top
- for wall mounting, concealed fixing
- 23 5/8" (600 mm) wide, 1 3/16" (20 mm) high and 4 3/16" (106 mm) deep
- square profile made of metal, high-quality chrome-plated
- including non-corrosive HEWI fixing material

- Square profile
- Shelf

**100.03.E01**

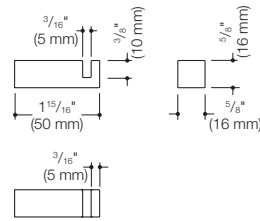
**HEWI Glass plate**

**HEWI Surfaces | Inserts**

- Chr
- Glass

Item Number

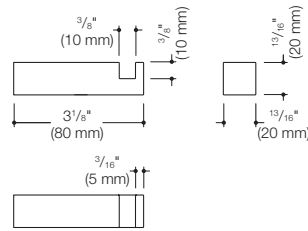
Dimensions / Specification



100.90.01040

**HEWI Hook**

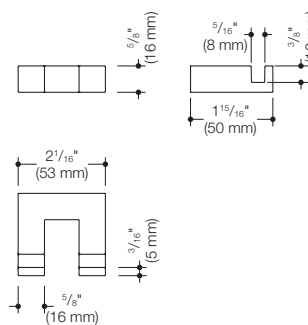
- for wall mounting, concealed fixing
- 1 15/16" (50 mm) deep, square 5/8" (16 mm)
- square profile made of metal, high-quality chrome-plated
- including non-corrosive HEWI fixing material



100.90.02040

**HEWI Hook**

- for wall mounting, concealed fixing
- 3 1/8" (80 mm) deep, square 13/16" (20 mm)
- square profile made of metal, high-quality chrome-plated
- including non-corrosive HEWI fixing material



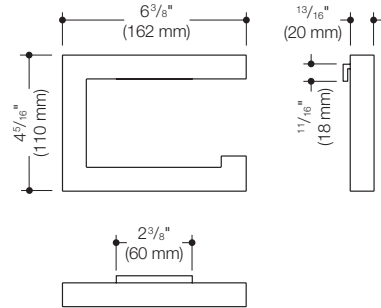
100.90.03040

**HEWI Double hook**

- for wall mounting, concealed fixing
- 1 15/16" (50 mm) deep, 2 1/16" (53 mm) wide
- square profile made of metal, high-quality chrome-plated
- including non-corrosive HEWI fixing material

Item Number

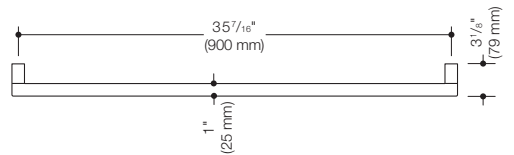
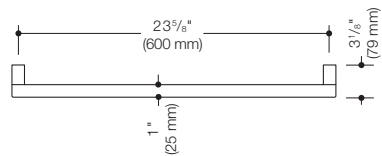
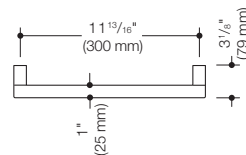
Dimensions / Specification



**100.21.10040**

**HEWI Toilet roll holder**

- U-shaped, open-ended on the right, with square profile
- for wall mounting, concealed fixing
- 6 3/8" (162 mm) wide and 4 5/16" (110 mm) high, square 13/16" (20 mm)
- square profile made of metal, high-quality chrome-plated, hinged
- including non-corrosive HEWI fixing material



**100.36.10040**

**100.36.11040**

**100.36.12040**

**HEWI Support rail**

- for wall mounting, concealed fixing
- square 1" (25 mm), 3 1/8" (79 mm) deep
- square profile made of metal, chrome-plated
- including non-corrosive HEWI fixing material

c to c 11 13/16" (300 mm)

c to c 23 5/8" (600 mm)

c to c 35 7/16" (900 mm)



**HEWI Surfaces**

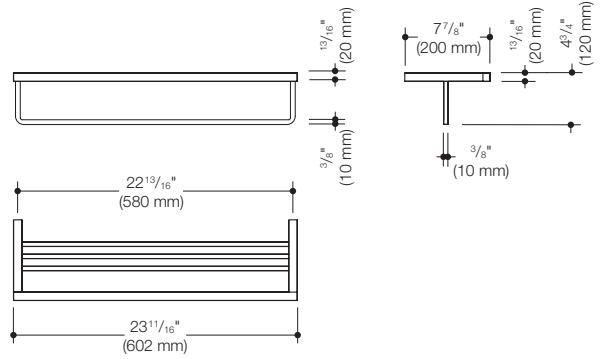
- Chr

Item Number

Dimensions / Specification



100.30.10040



**HEWI Bath towel shelf**

- for wall mounting, concealed fixing
- 23 5/8" (600 mm) wide, 4 3/4" (120 mm) high and 7 7/8" (200 mm) deep
- square profile made of metal, high-quality chrome-plated
- including non-corrosive HEWI fixing material



**HEWI Surfaces**

Chr





# System 800



## PRODUCT CHARACTERISTICS

- The modular design and the depth of the 800 sanitary system range provided enable a wide range of combinations and a bathroom that completely fulfils the user's requirements
- Selected materials and their careful workmanship produce outstanding, durable quality
- The functionality of system 800 is represented down to the smallest detail: concealed means of attachment and inserts that can be removed simplify cleaning

## RECOMMENDED APPLICATION AREAS

Home, Hotel



# System 800

## DESIGN

Phoenix Design, Stuttgart/Munich/Shanghai

## MATERIAL AND SURFACES

Holder chrome-plated or powder-coated in matt white or black, inserts optionally made of polyamide or satin-finished glass.

## ACCESSORIES

Product range	267
Basin area	268 – 274
Toilet area	274
Shower and bath area	275





- Chrome
- ...60 DX powder-coated matt white (RAL 9003)
- ...60 DC powder-coated matt black (RAL 9005)

- Satin crystal glass
- 98 (signal white)
- Signal white matt
- Jet black matt



**Tumbler with holder**  
800.04.11045 page 268

- Holder
- Tumbler



**Soap dispenser with holder**  
800.06.11045 page 269

- Holder, pump head
- Soap dispenser



**Soap dish with holder**  
800.02.11045 page 272

- Holder
- Soap dish



**Utility dish**  
800.03.20041 page 272

- Holder
- Shelf plate



**Shelf**  
800.03.100... page 273

- Holder
- Shelf plate



**Support rail**  
800.36.1... page 275

- 



**Hooks**  
800.90.01040 page 274  
800.90.02040 page 274

- 



**Double hook**  
800.90.06040 page 274

- 



**Toilet roll holder**  
800.21.11040 page 274

- 



**Shower basket**  
800.03.30041 page 275

- Holder
- Shower basket



**Disinfectant dispenser column basic**  
950.06.103... | HEWI SENSORIC® p. 271

- 



**Disinfectant and soap dispenser**  
950.06.102... | HEWI SENSORIC® p. 270

-

Item Number

Dimensions / Specification



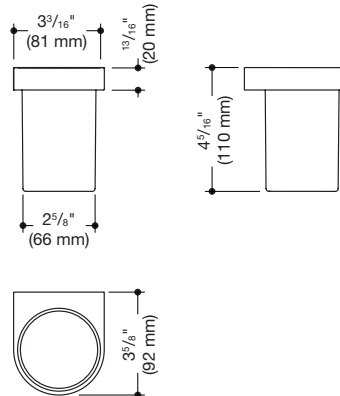
Holder  
   Tumbler

800.04.11041

800.04.11045

**New** 800.04.11060

**New** 800.04.11065



**HEWI Tumbler with holder**

- holder made of metal, with protective ring made of synthetic material for a secure, defined position and to protect the insert from damage
- cylindrical tumbler with flat bottom
- for wall mounting, concealed fixing
- 3 3/16" (81 mm) wide, 4 5/16" (110 mm) high and 3 5/8" (92 mm) deep
- including non-corrosive HEWI fixing material
- holder high-quality chrome-plated
- tumbler made of polyamide in HEWI color 98 (signal white)
- tumbler made of high-quality, satin crystal glass
- holder powder-coated in HEWI color CV (matt black) with tumbler made of matt black polyamide or in HEWI color AS (matt white) with tumbler made of matt white polyamide
- holder powder-coated in HEWI colors DC (matt black) and DX (matt white) with tumbler made of high-quality, satin crystal glass

800.04.010

800.04B010

800.04.E01

**HEWI Tumbler**

**HEWI Tumbler, matt**

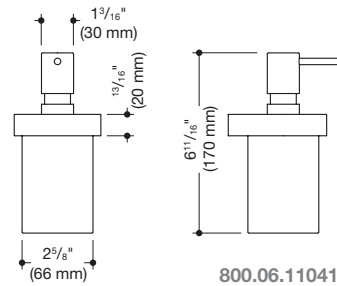
**HEWI Glass tumbler**

**HEWI Colours | Surfaces | Material combination**

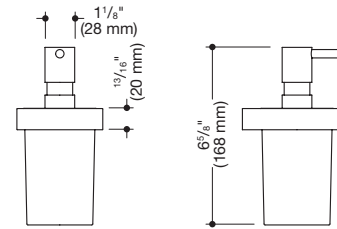
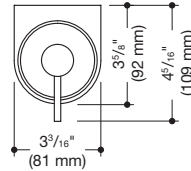
- ...60 DX powder-coated matt white
- 98 Glass Chr    ...60 DC powder-coated matt black
- ...60 AS matt white | matt white polyamide
- ...60 CV matt black | matt black polyamide

Item Number

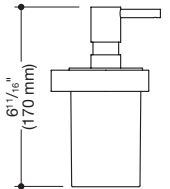
Dimensions / Specification



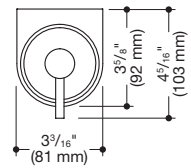
**800.06.11041**



**800.06.11045**  
**800.06.11065**



**800.06.11060**



**HEWI Soap or disinfectant dispenser with holder**

- serves to hold commercially available liquid soap, disinfectants and gels
- holder made of metal, with protective ring made of synthetic material for a secure, defined position and to protect the insert from damage
- pump head made of metal
- for wall mounting, concealed fixing
- 3 3/16" (81 mm) wide, 6 11/16" (170 mm) high and 3 5/8" (92 mm) deep
- including non-corrosive HEWI fixing material

**800.06.11041**  
**800.06.11045**

**New 800.06.11060**

**New 800.06.11065**

- holder and pump head high-quality chrome-plated
- soap dispenser polyamide in HEWI color 98 (signal white)
- soap dispenser made of high-quality, satin crystal glass
- holder and pump head powder-coated in HEWI color CV (matt black) with soap dispenser made of matt black polyamide or powder-coated in HEWI color AS (matt white) with soap dispenser made of matt white polyamide
- holder and pump head powder-coated in HEWI colors DC (matt black) and DX (matt white) with soap dispenser made of high-quality, satin crystal glass

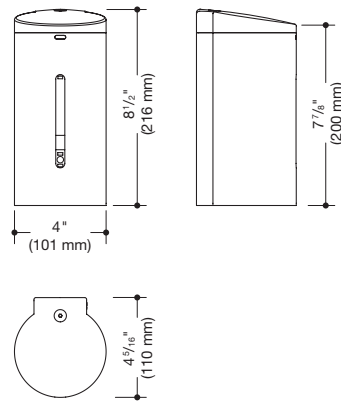
Holder, pump head  
   Soap dispenser

**800.06.E02**  
**67738**  
**800.06.E01**  
**100.03.E02**  
**950.06.E02**  
**950.06.E05**

**HEWI Container for soap dispenser**  
**HEWI Container for soap dispenser, matt**  
**HEWI Glass container for soap dispenser**  
**HEWI Pump head chrome**  
**HEWI Pump head black**  
**HEWI Pump head white**

Item Number

Dimensions / Specification



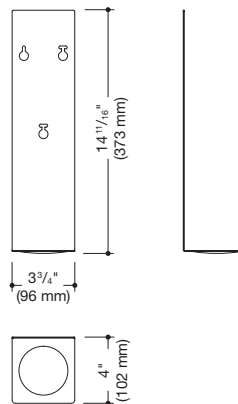
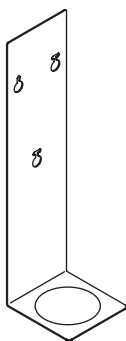
**HEWI SENSORIC Disinfectant and soap dispenser**

- serves to hold commercially available liquid soap, disinfectants and gels
- with inner container for free filling, capacity 22 fl oz (650 ml)
- frontale level indicator
- non-contact disinfectant dispensing
- locking system as protection against misuse
- 8 1/2" (216 mm) high and 4 5/16" (110 mm) deep, ø 4" (101 mm)
- for wall mounting
- made of high-quality stainless steel
- including non-corrosive HEWI fixing material
- battery operation with AA 1,5 V / 6 pieces (initial batteries included in delivery)



950.06.102XA  
950.06.10201

- satin finished
- matt black powder-coated



900.06.E0160

**HEWI Drip tray**

- serves to collect dripping disinfectant
- suitable for disinfectant dispenser column 900.06.013..., disinfectant dispensers 900.06.008..., soap dispensers 900.06.005... and foam soap dispensers 900.06.007...
- 3 3/4" (96 mm) wide, 14 11/16" (373 mm) high and 4" (102 mm) deep
- fixed in place using the dispenser fixing points
- made of high-quality stainless steel, powder-coated in HEWI colors DX (matt white), AY (matt light gray pearl mica), SC (matt dark gray pearl mica) and DC (matt black)



Item Number

Dimensions / Specification



**HEWI SENSORIC**

- Dispenser
- Basic body

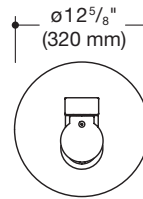
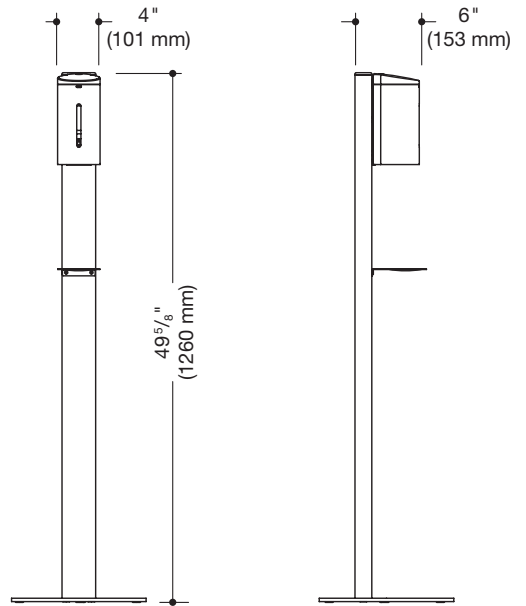


**HEWI SENSORIC**



**HEWI Colors | Surfaces**

- ...60 DX** matt white
- ...60 AY** matt light gray pearl mica (drip tray only)
- ...60 SC** matt dark gray pearl mica
- ...60 DC** matt black



**950.06.103XA**

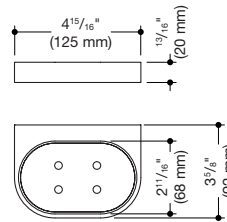
**950.06.10301**

**HEWI SENSORIC Disinfectant dispenser column basic**

- comprising disinfectant dispenser, drip tray and column
- serves to hold commercially available liquid soap, disinfectants and gels
- column made of aluminum with angular base body, black powder-coated
- 49 5/8" (1260 mm) high, base plate  $\varnothing$  12 5/8" (320 mm), weight approx. 18 lbs (8 kg)
- dispenser with cylindrical body
- with inner container for free filling, capacity 22 fl oz (650 ml)
- frontale level indicator
- non-contact disinfectant dispensing
- locking system as protection against misuse
- with drip tray serves to collect dripping disinfectant
- battery operation with AA 1,5 V / 6 pieces (initial batteries included in delivery)
- with disinfectant dispenser 950.06.102XA
- dispenser made of high-quality stainless steel, satin finished
- with disinfectant dispenser 950.06.10201
- dispenser made of high-quality stainless steel, matt black powder-coated

Item Number

Dimensions / Specification



**HEWI Soap dish with holder**

- holder made of metal with protective ring made of synthetic material for a secure, defined position and to protect the insert from damage
- rotatable soap dish, can be used flush or as a dish
- for wall mounting, concealed fixing
- 4 15/16" (125 mm) wide, 13/16" (20 mm) high and 3 5/8" (92 mm) deep
- including non-corrosive HEWI fixing material

800.02.11041  
800.02.11045

- holder high-quality chrome-plated
- soap dish high-quality polyamide in HEWI color 98 (signal white)
- soap dish made of high-quality, satin crystal glass

New 800.02.11060

- holder powder-coated in HEWI color CV (matt black) with oval soap dish made of matt black polyamide or in HEWI color AS (matt white) with oval soap dish made of matt white polyamide



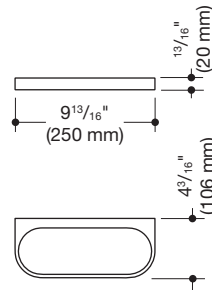
New 800.02.11065

- holder powder-coated in HEWI colors DC (matt black) and DX (matt white) with oval soap dish made of high-quality, satin crystal glass

■ Holder  
■ Soap dish

800.02.010  
800.02.E01

**HEWI Soap dish**  
**HEWI Soap dish, glass**



**HEWI Utility dish**

- the dish is rotatable and can be mounted flush with the bracket or can be used as a storage dish
- for wall mounting, concealed fixing
- 9 13/16" (250 mm) wide, 13/16" (20 mm) high and 4 3/16" (106 mm) deep
- including non-corrosive HEWI fixing material

800.03.20041

- holder high-quality chrome-plated
- shelf made of high-quality polyamide, in HEWI color 98 (signal white)

New 800.03.20060

- holder powder-coated in HEWI color CV (matt black) with oval shelf made of matt black polyamide or in HEWI color AS (matt white) with oval shelf made of matt white polyamide

■ Holder  
■ Shelf plate

60169  
71819

**HEWI Insert**  
**HEWI Insert, matt**

Item Number

Dimensions / Specification



Holder  
 Shelf plate made of acrylic glass

Holder  
 Shelf plate

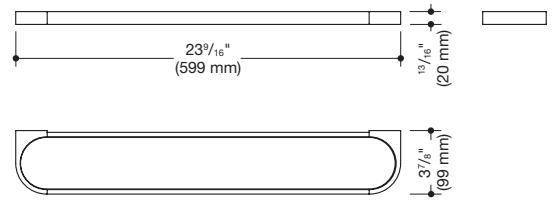
**800.03.10041**

**New** **800.03.10060**

**800.03.10045**

**New** **800.03.10065**

**58848**



**HEWI Shelf**

- holder made of metal with all-round edge
- the shelf can be mounted flush with the bracket or can be used as a storage dish
- for wall mounting, concealed fixing
- 23 9/16" (599 mm) wide, 13/16" (20 mm) high and 3 7/8" (99 mm) deep
- including non-corrosive HEWI fixing material

- holder high-quality chrome-plated, with white plate made of high-quality acrylic glass

- holder powder-coated in HEWI colors CV (matt black) and AS (matt white) with white plate made of high-quality acrylic glass

- holder high-quality chrome-plated with high-quality, satin glass plate

- holder powder-coated in HEWI colors DC (matt black) and DX (matt white) with high-quality, satin glass plate

**HEWI Glass plate**

**HEWI Colours | Surfaces**

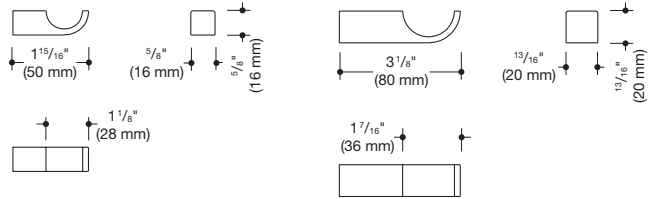
...60 DX powder-coated matt white  
 98 GlassChr W  ...60 DC powder-coated matt black

Item Number

Dimensions / Specification



**800.90.01040**  
**800.90.02040**  
**New 800.90.01260**  
**New 800.90.02260**

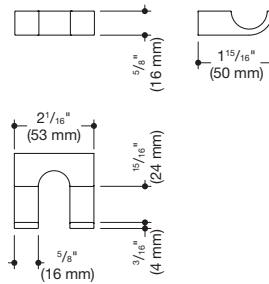


**HEWI Hook**

- made of metal
- for wall mounting, concealed fixing
- including non-corrosive HEWI fixing material
- high-quality chrome-plated
- 1 15/16" (50 mm) deep
- 3 1/8" (80 mm) deep
- powder-coated in HEWI colors DC (matt black), DX (matt white)
- 1 15/16" (50 mm) deep
- 3 1/8" (80 mm) deep



**800.90.06040**  
**New 800.90.06260**

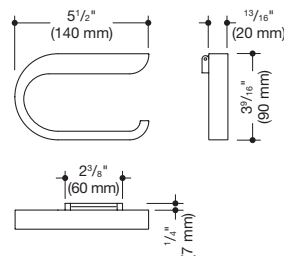


**HEWI Double hook**

- made of metal
- 1 15/16" (50 mm) deep, 2 1/16" (53 mm) wide
- for wall mounting, concealed fixing
- including non-corrosive HEWI fixing material
- high-quality chrome-plated
- powder-coated in HEWI colors DC (matt black), DX (matt white)



**800.21.11040**  
**New 800.21.11260**

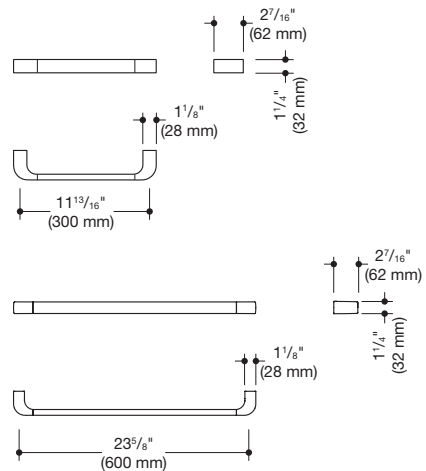


**HEWI Toilet roll holder, hinged**

- hinged, made of metal
- for wall mounting, concealed fixing
- 5 1/2" (140 mm) wide, 3 9/16" (90 mm) high and 13/16" (20 mm) deep
- including non-corrosive HEWI fixing material
- high-quality chrome-plated
- powder-coated in HEWI colors DC (matt black), DX (matt white)

Item Number

Dimensions / Specification



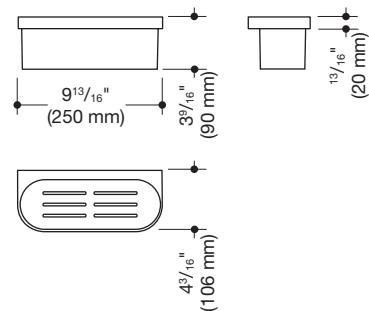
**800.36.10040**  
**800.36.11040**

**HEWI Support rail**

- made of metal, 1 1/4" (32 mm) high, 2 7/16" (62 mm) deep
- for wall mounting, concealed fixing
- including non-corrosive HEWI fixing material
- high-quality chrome-plated
- c to c 11 13/16" (300 mm)
- c to c 23 5/8" (600 mm)
- powder-coated in HEWI colors DC (matt black), DX (matt white)
- c to c 11 13/16" (300 mm)
- c to c 23 5/8" (600 mm)



**New** **800.36.10260**  
**New** **800.36.11260**



**800.03.30041**

**HEWI Shower basket**

- for wall mounting, concealed fixing
- 9 13/16" (250 mm) wide, 3 9/16" (90 mm) high and 4 3/16" (106 mm) deep
- holder made of metal
- including non-corrosive HEWI fixing material

**New** **800.03.30060**

- holder high-quality chrome-plated
- shower basket made of high-quality polyamide, in HEWI color 98 (signal white)
- holder powder-coated in HEWI color CV (matt black) with shower basket made of matt black polyamide or powder-coated in HEWI color AS (matt white) with shower basket made of matt white polyamide

Holder

Shower basket

**800.03.010**  
**800.03B010**

**HEWI Insert for shower basket**  
**HEWI Insert for shower basket, matt**

**HEWI Colours | Surfaces | Material combination**

- ☑ █ █ █ ...60 DX powder-coated matt white
- 98 Chr █ █ █ ...60 DC powder-coated matt black
- ☑ █ █ █ ...60 AS matt white | matt white synthetic material
- █ █ █ ...60 CV matt black | matt black synthetic material

## Mirrors | Washbasins



### PRODUCT CHARACTERISTICS MIRRORS

- Reduced, timeless design integrates into the sanitary ranges
- Adjustable mirror individually adjustable

### PRODUCT CHARACTERISTICS WASHBASINS

- Especially easy-care material
- Flat design allows comfortable use in standing or sitting position

### RECOMMENDED APPLICATION AREAS

Home, Hotel, Public, Professional Care, Education



# Mirrors | Washbasins

## DESIGN

Phoenix Design, Stuttgart/Munich/Shanghai  
NOA Produktdesign, Aachen  
HEWI, Bad Arolsen

## MATERIAL AND SURFACES

Mirrors: Float and crystal glass  
Washbasins: High-quality mineral composite with non-porous surface in alpine white

## MIRRORS

Product range	278
Mirrors	281 – 283
Adjustable mirrors	284 – 285
Cosmetic mirrors	286

## WASHBASINS

Product range	279
Washbasins with gushing edge	288
Washbasins with overflow	288 – 290
Dementia-washbasin	290
Washbasins, variable length	291 – 297
Modular washbasin system	298 – 303
Washbasin sets	304 – 310
Wall profiles, inserts	311 – 315









**Washbasin**  
950.11.15... | 650 x 550 mm p. 288  
Mineral composite



**New**  
**Washbasin | with overflow**  
950.11.16... | 650 x 550 mm p. 288  
Mineral composite



**New**  
**Washbasin with overflow**  
950.11.14... | 650 x 550 mm p. 289  
Mineral composite



**New**  
**Washbasin with overflow**  
950.11.24... | 850 x 550 mm p. 289  
Mineral composite



**New**  
**Washbasin | with overflow**  
950.11.1... | 600 x 550 mm p. 290  
Mineral composite



**Dementia-washbasin**  
950.11.106 | 600 x 550 mm p. 290  
Mineral composite  
■ Marker of the functional element



**New**  
**Washbasin, modular | with overflow**  
950.13.2... | 650 x 550 mm p. 299  
Mineral composite



**Washbasin sets**  
950.19.07... from page 305  
Mineral composite



**New**  
**Washbasin, variable length | with overflow**  
950.11.60...S | 850-2800 x 550 mm p. 292  
950.11.62...S p. 293  
Mineral composite



**New**  
**Washbasin, variable length**  
950.11.20...S | 850-2800 x 415 mm p. 294  
950.11.22...S p. 295  
Mineral composite

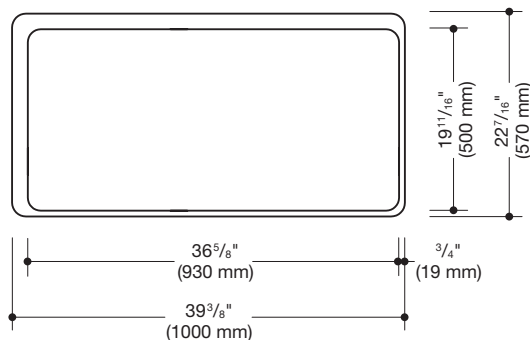


**New**  
**Washbasin, modular, variable length**  
950.13.20...S | 850-2600 x 550 mm p. 300  
Mineral composite



Item Number

Dimensions / Specification



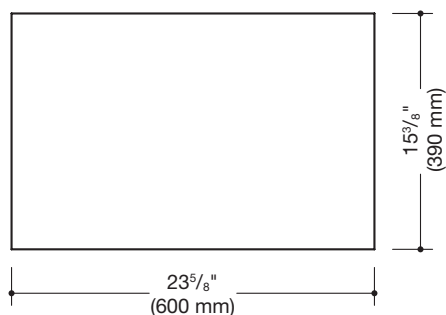
950.01.110

**HEWI Mirror**

- rectangular mirror with large radii and colored back-painted edge
- asymmetrical backpainting in HEWI color 98 (signal white)
- concealed fixing
- can be mounted horizontally and vertically
- 22 7/16" (570 mm) wide, 39 3/8" (1000 mm) high, mirror 1/4" (6 mm) thick
- mirror surface 19 11/16" (500 mm) wide, 36 5/8" (930 mm) high
- made of high-quality float glass

Float glass

Backpainted edge



477.01.010

**HEWI Plate glass mirror**

- rectangular mirror with polished edges
- mirror made of high-quality crystal glass
- 23 5/8" (600 mm) wide, 15 3/8" (390 mm) high and 1/4" (6 mm) thick
- can be held by 2 pairs of mirror clips (477.01...100) (to be ordered separately)

477.01.100

477.01B100

**HEWI Mirror clip**

- made of high-quality polyamide in 16 HEWI colors
- made of high-quality matt polyamide in 5 HEWI colors

41939

68557

**HEWI Extension piece**

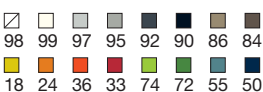
**HEWI Extension piece, matt**

Picture with mirror clips

**5 matt HEWI colors**



**16 HEWI colors**



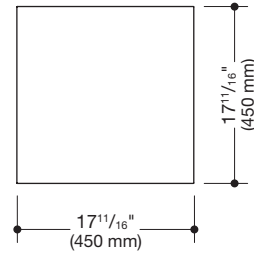
# Mirrors

Item Number

Dimensions / Specification



**New** 950.01.12200

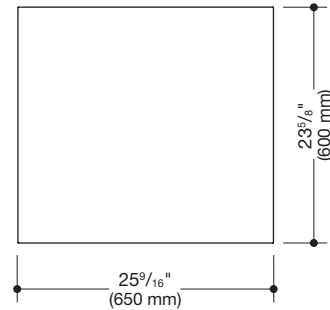


**HEWI Plate glass mirror**

- square mirror with polished edges
- mirror made of high-quality crystal glass
- 17 11/16" (450 mm) wide and 17 11/16" (450 mm) high, mirror 3/16" (5 mm) thick
- concealed fixing



**New** 950.01.12201

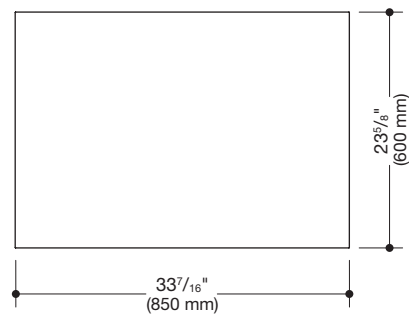


**HEWI Plate glass mirror**

- rectangular mirror with polished edges
- mirror made of high-quality crystal glass
- 25 9/16" (650 mm) wide and 23 5/8" (600 mm) high, mirror 3/16" (5 mm) thick
- concealed fixing



**New**  
950.01.12202

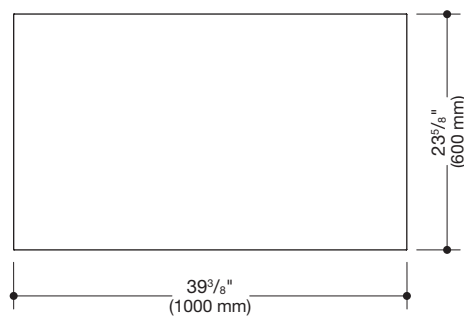


**HEWI Plate glass mirror**

- rectangular mirror with polished edges
- mirror made of high-quality crystal glass
- 33 7/16" (850 mm) wide and 23 5/8" (600 mm) high, mirror 3/16" (5 mm) thick
- concealed fixing

Item Number

Dimensions / Specification

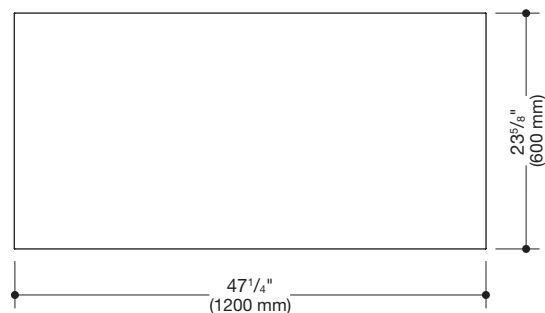


**New** 950.01.12203

**New** 950.01.12205

**HEWI Plate glass mirror**

- rectangular mirror with polished edges
- 39 3/8" (1000 mm) wide and 23 5/8" (600 mm) high, mirror 3/16" (5 mm) thick
- can be mounted horizontally and vertically
- concealed fixing
- fulfils the requirements according to DIN 18040, ÖNORM B1600/1601 and SIA 500
- mirror made of high-quality crystal glass
- mirror made of high-quality crystal glass with shatter protection film



**New** 950.01.12204

**New** 950.01.12206

**HEWI Plate glass mirror**

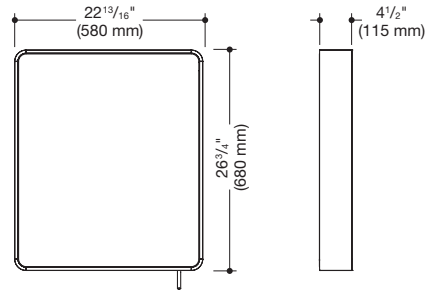
- rectangular mirror with polished edges
- 47 1/4" (1200 mm) wide and 23 5/8" (600 mm) high, mirror 3/16" (5 mm) thick
- can be mounted horizontally and vertically
- concealed fixing
- fulfils the requirements according to DIN 18040, ÖNORM B1600/1601 and SIA 500
- mirror made of high-quality crystal glass
- mirror made of high-quality crystal glass with shatter protection film

Item Number

Dimensions / Specification



800.01.10060



**HEWI Adjustable mirror**

- rectangular plate glass mirror with rounded edges, integrated shatter protection film and tilting frame
- ergonomically shaped handle made of metal, chrome-plated
- tilting frame with high-quality white coating
- easy adjustment of the tilt between 0 to 10° from a seated position
- for wall mounting
- 22 13/16" (580 mm) wide, 26 3/4" (680 mm) high and 4 1/2" (115 mm) deep
- including non-corrosive HEWI fixing material

Crystal glass

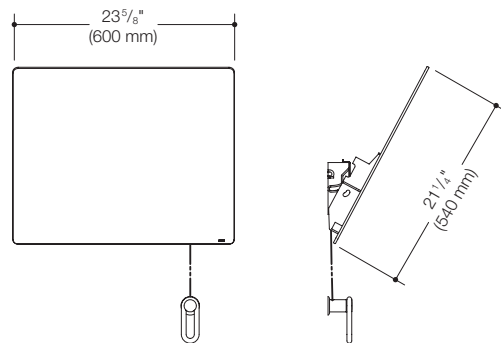
Frame

Handle



801.01.100

801.01B100



**HEWI Adjustable mirror**

- rectangular plate glass mirror with rounded edges and integrated splinter protection foil
- mirror adjustable by max. 28° using cranked cord control and therefore usable in standing or sitting position
- for wall mounting, for prewall mounting with cord re-routing
- 23 5/8" (600 mm) wide, 21 1/4" (540 mm) high and 1/4" (6 mm) thick
- mirror: crystal glass

- holding element and rotating handle made of high-quality polyamide in 16 HEWI colors

- holding element and rotating handle made of high-quality matt polyamide in 6 HEWI colors (see bottom left)

21755

54436

68559

25244

68555

**HEWI Plate glass mirror**

**HEWI Cord re-routing**

**HEWI Cord re-routing, matt**

**HEWI Rotating handle**

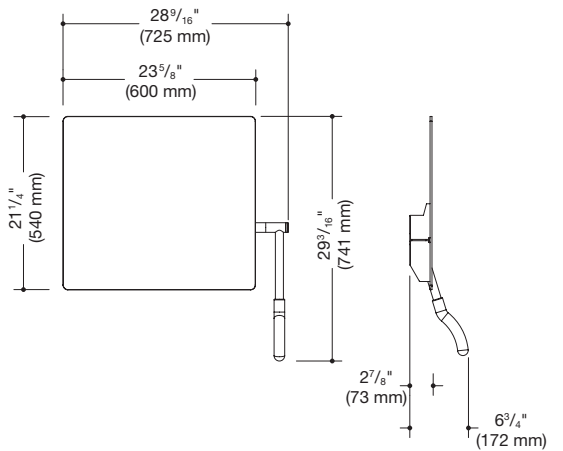
**HEWI Rotating handle, matt**

6 matt HEWI colors



Item Number

Dimensions / Specification



Crystal glass  
 ■ Grip bar  
 Grip in 16 HEWI colors

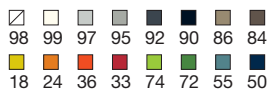
**802.01.100L**  
**802.01.100R**

**HEWI Adjustable mirror**

- rectangular plate glass mirror with rounded edges and integrated splinter protection foil
- can be comfortably tilted from 0 until 28° while seated
- 28 9/16" (725 mm) wide, 29 3/16" (741 mm) high and 2 7/8" (73 mm) deep
- clear dimension wall - grip 5 1/2" (139 mm)
- including non-corrosive HEWI fixing material
- grip bar in chrome-plated aluminum
- axis in powder coated, matt aluminum
- with ergonomically shaped grip made of high-quality polyamide in 16 HEWI colors
- lever left
- lever right (photo and drawing above)

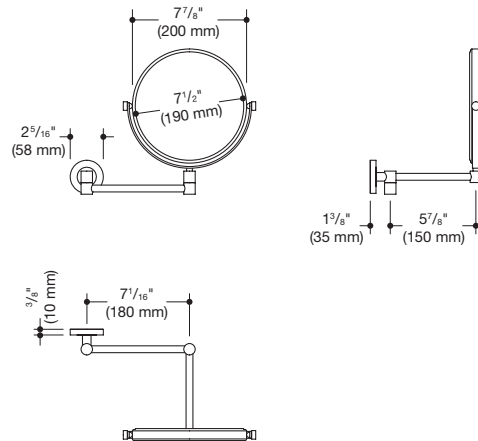
L /R Version from users point of view.  
 Please advise color when ordering.

**16 HEWI colors**





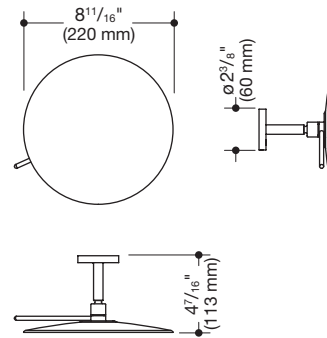
950.01.225



**HEWI Cosmetic mirror**

- double-sided mirror, both sides mirrored, rotatable
- set in a chrome plated metal frame
- one side concave, one side flat
- 3-fold magnification
- mirror  $\varnothing$  7 7/8" (200 mm), mirror surface  $\varnothing$  7 1/2" (190 mm)
- on double hinged arm, mounting allows movement, length 14 3/8" (365 mm)
- for wall mounting, concealed 3-point fixing
- wall connection  $\varnothing$  2 5/16" (58 mm), 3/8" (10 mm) deep
- including non-corrosive HEWI fixing material
- high-quality chrome-plated

Crystal glass



**HEWI Cosmetic mirror**

- framed in a chrome-plated metal frame
- 3-fold magnification
- mirror and mirror surface  $\varnothing$  8 11/16" (220 mm)
- on straight arm, movable, length 2 3/16" (55 mm)
- total depth 4 7/16" (113 mm)
- for wall mounting, concealed 3-point fixing
- wall connection  $\varnothing$  2 3/8" (60 mm), 3/8" (10 mm) deep
- including non-corrosive HEWI fixing material

950.01.23040

950.01.23001

- chrome-plated
- matt black coated





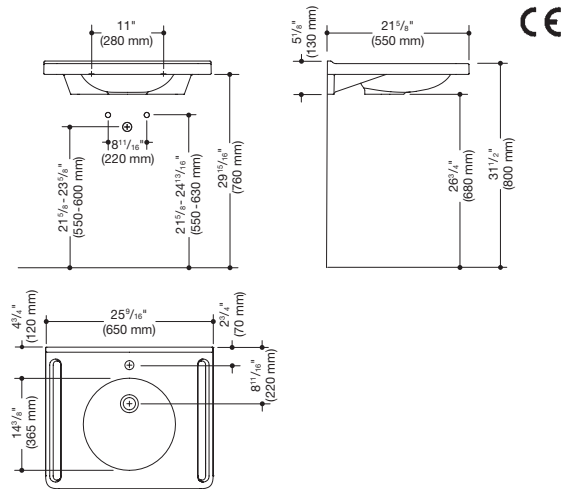
# Washbasins



# Washbasins | with gushing edge

Item Number

Dimensions / Specification

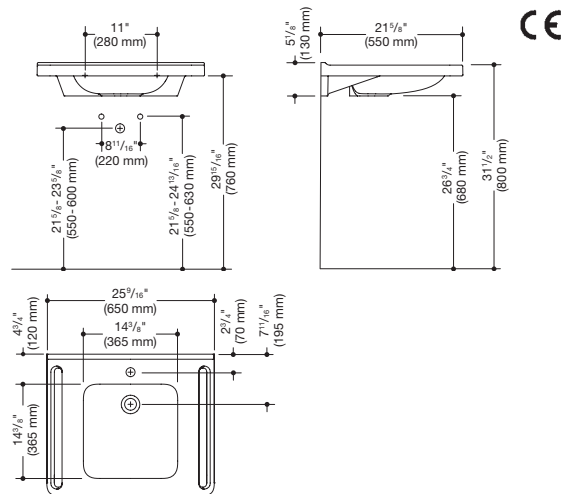


## HEWI Washbasin

- with shelf and deep round basin, without overflow
- with gushing edge to wall
- alpine white, made of mineral composite with non-porous surface, 25 9/16" (650 mm) wide, 21 5/8" (550 mm) deep
- with ergonomic gripping feature, can be used as a towel holder
- wheelchair accessible to DIN 18040/ÖNORM B 1600/1601
- for hanger bolt fixing, loading capacity to EN 14688
- prepared for single hole mixer tap
- without tap hole (for wall-mounted fittings)

Mineral composite

**950.11.151**  
**950.11.150**



## HEWI Washbasin

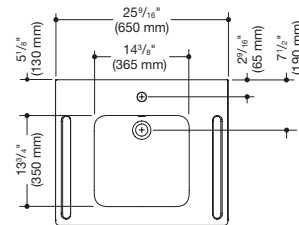
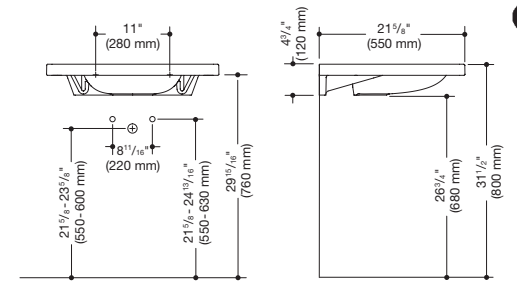
- with shelf and deep rectangular basin with generous radii, without overflow, with gushing edge to wall
- alpine white, made of mineral composite with non-porous surface, 25 9/16" (650 mm) wide, 21 5/8" (550 mm) deep
- with ergonomic gripping feature, can be used as a towel holder
- wheelchair accessible to DIN 18040/ÖNORM B 1600/1601
- for hanger bolt fixing, loading capacity to EN 14688
- without overflow
- prepared for single hole mixer tap
- without tap hole (for wall-mounted fittings)
- with overflow, incl. rose and cover
- prepared for single hole mixer tap
- without tap hole (for wall-mounted fittings)

Mineral composite

**New** **950.11.163**  
**New** **950.11.162**

Item Number

Dimensions / Specification

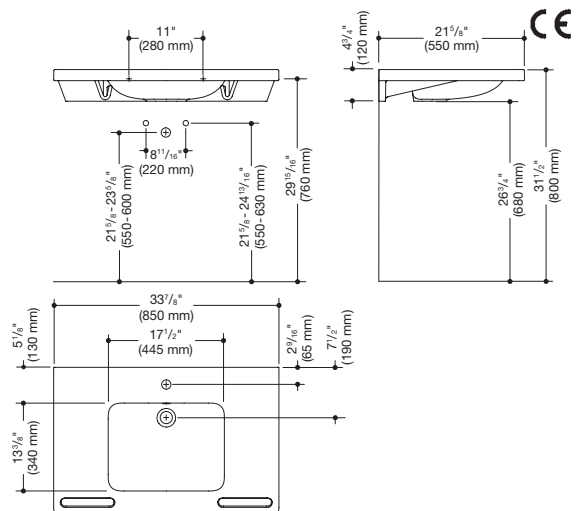


**HEWI Washbasin**

- with shelf and deep rectangular basin with generous radii
- with overflow
- alpine white, made of mineral composite with non-porous surface, 25 9/16" (650 mm) wide, 21 5/8" (550 mm) deep
- integrated gripping feature on the side, can be used as a towel holder
- wheelchair accessible to DIN 18040/ÖNORM B 1600/1601
- for hanger bolt fixing, loading capacity to EN 14688
- prepared for single hole mixer tap
- without tape hole (for wall-mounted fittings)

Mineral composite

**950.11.141**  
**950.11.140**



**HEWI Washbasin**

- with shelf and deep rectangular basin with generous radii
- with overflow
- alpine white, made of mineral composite with non-porous surface, 33 7/16" (850 mm) wide, 21 5/8" (550 mm) deep
- integrated gripping feature, can be used as a towel holder
- wheelchair accessible to DIN 18040/ÖNORM B 1600/1601
- for hanger bolt fixing, loading capacity to EN 14688
- prepared for single hole mixer tap
- without tape hole (for wall-mounted fittings)

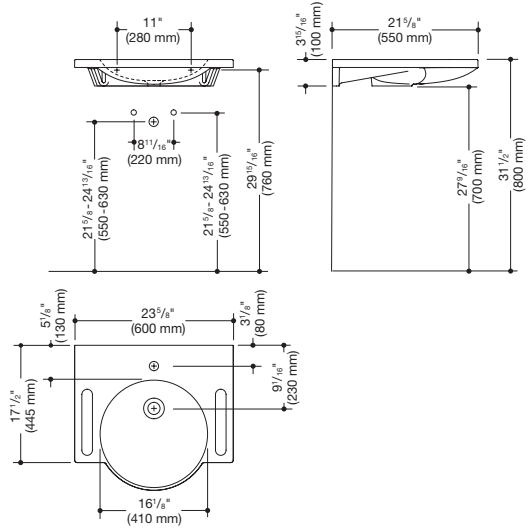
Mineral composite

**950.11.241**  
**950.11.240**

# Washbasins

Item Number

Dimensions / Specification



**950.11.101**  
**950.11.100**

**950.11.121**  
**950.11.120**

**New 950.11.103**  
**New 950.11.102**

Mineral composite

## HEWI Washbasin

- with shelf and round basin
- alpine white, made of mineral composite with non-porous surface
- integrated gripping feature on the side, can be used as a towel holder
- wheelchair accessible to DIN 18040, ÖNORM B 1600/1601
- for hanger bolt fixing
- loading capacity to EN 14688
- 23 5/8" (600 mm) wide and 21 5/8" (550 mm) deep
- for hanger bolt fixing
- without overflow
- prepared for single hole mixer tap
- without tape hole (for wall-mounted fittings)
- without integrated gripping feature
- prepared for single hole mixer tap
- without tape hole (for wall-mounted fittings)
- with overflow, incl. rose and cover, wash trough depth 4 5/16" (110 mm)
- prepared for single hole mixer tap
- without tap hole (for wall-mounted fittings)



**950.11.106**

## HEWI Dementia-washbasin

- do., for supporting people with dementia and impaired vision
- with permanent red mark of the basin trough and the gripping feature in HEWI color 33 (ruby red)
- prepared for single hole mixer tap

Mineral composite

Permanent mark in HEWI color 92 (anthracite gray) available on request.

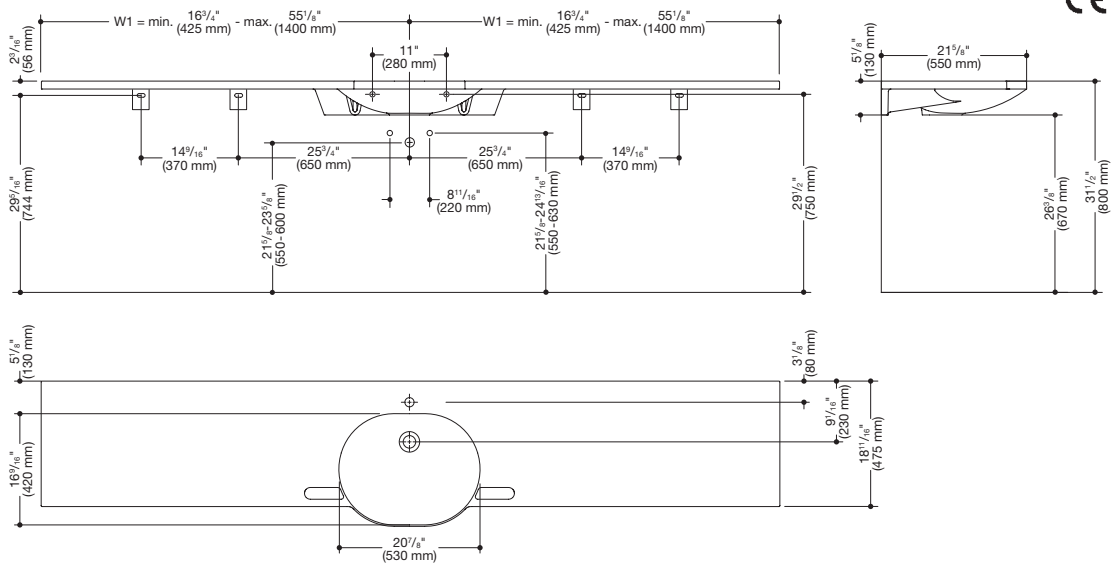
# Washbasins, variable length



# Washbasins | variable length

Item Number

Dimensions / Specification



## HEWI Washbasin, variable length

- with generously sized shelf and oval basin
- alpine white, made of mineral composite with non-porous surface
- base length: 33 7/16" (850 mm), extendable to a total length of up to 110 1/4" (2800 mm), 21 5/8" (550 mm) deep, wash trough depth 4 5/16" (110 mm)
- millimetre-precision production, asymmetrical extensions possible\*
- integrated gripping feature, can be used as a towel holder
- wheelchair accessible to DIN 18040 and ÖNORM B 1600/1601
- loading capacity to EN 14688
- for hanger bolt fixing
- incl. appropriate number of necessary supports:  
from W1/W2 = 27 15/16" (710 mm): one support  
from W1/W2 = 42 1/2" (1080 mm): two supports
- without overflow
- prepared for single hole mixer tap
- without tap hole (for wall-mounted fittings)
- do., with overflow, incl. rose and cover
- overflow can be replaced and renewed if necessary
- overflow is mounted between drain and siphon under the washbasin, h = 1" (25 mm), ø = 2 3/4" (70 mm)
- prepared for single hole mixer tap
- without tap hole (for wall-mounted fittings)

**New** 950.11.601S  
**New** 950.11.600S



**New** 950.11.604S  
**New** 950.11.603S

**All HEWI variable length washbasins are individually made to the dimensions specified by the customer and therefore cannot be exchanged or returned!**

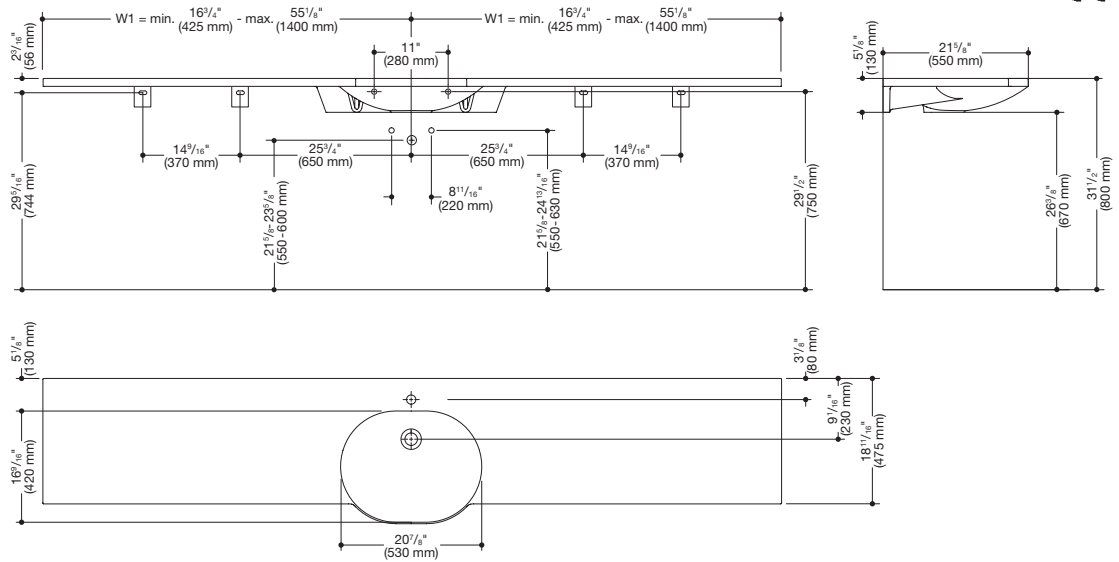
Mineral composite

W1 in inch (in mm)	W2 in inch (in mm)					
	16 3/4 - 21 5/8 (425 - 549)	21 5/8 - 27 15/16 (550 - 709)	27 15/16 - 35 3/8 (710 - 899)	35 7/16 - 42 1/2 (900 - 1079)	42 1/2 - 45 1/4 (1080 - 1149)	45 1/4 - 55 1/8 (1150 - 1400)
16 3/4 - 21 5/8 (425 - 549)						
21 5/8 - 27 15/16 (550 - 709)						
27 15/16 - 35 3/8 (710 - 899)						
35 7/16 - 42 1/2 (900 - 1079)						
42 1/2 - 45 1/4 (1080 - 1149)						
45 1/4 - 55 1/8 (1150 - 1400)						

\*Manufacturing tolerances of up to - 0.4% of the total basin length possible.

Item Number

Dimensions / Specification



**HEWI Washbasin, variable length**

- with generously sized shelf and oval basin, without overflow
- alpine white, made of mineral composite with non-porous surface
- base length: 33 7/16" (850 mm), extendable to a total length of up to 110 1/4" (2800 mm), 21 5/8" (550 mm) deep, wash trough depth 4 5/16" (110 mm)
- millimetre-precision production, asymmetrical extensions possible\*
- wheelchair accessible to DIN 18040 and ÖNORM B 1600/1601
- loading capacity to EN 14688
- for hanger bolt fixing
- incl. appropriate number of necessary supports:
  - from  $W1/W2 = 27\ 15/16'' \text{ (710 mm)}$ : one support
  - from  $W1/W2 = 42\ 1/2'' \text{ (1080 mm)}$ : two supports
- prepared for single hole mixer tap
- without tap hole (for wall-mounted fittings)

**950.11.621S**  
**950.11.620S**

**All HEWI variable length washbasins are individually made to the dimensions specified by the customer and therefore cannot be exchanged or returned!**

Mineral composite

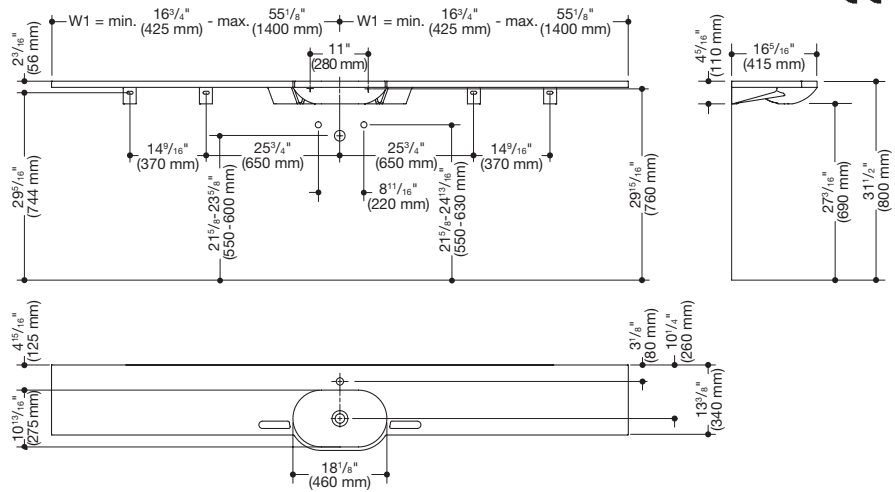
W1 in inch (in mm)	W2 in inch (in mm)					
	16 3/4 - 21 5/8 (425 - 549)	21 5/8 - 27 15/16 (550 - 709)	27 15/16 - 35 3/8 (710 - 899)	35 7/16 - 42 1/2 (900 - 1079)	42 1/2 - 45 1/4 (1080 - 1149)	45 1/4 - 55 1/8 (1150 - 1400)
16 3/4 - 21 5/8 (425 - 549)						
21 5/8 - 27 15/16 (550 - 709)						
27 15/16 - 35 3/8 (710 - 899)						
35 7/16 - 42 1/2 (900 - 1079)						
42 1/2 - 45 1/4 (1080 - 1149)						
45 1/4 - 55 1/8 (1150 - 1400)						

\*Manufacturing tolerances of up to - 0.4% of the total basin length possible.

# Washbasins | variable length

Item Number

Dimensions / Specification



## HEWI Washbasin, variable length

- with generously sized shelf and oval basin, without overflow
- alpine white, made of mineral composite with non-porous surface
- base length:  $33\frac{7}{16}'' (850 \text{ mm})$ , extendable to a total length of up to  $110\frac{1}{4}'' (2800 \text{ mm})$ ,  $16\frac{5}{16}'' (415 \text{ mm})$  deep, wash trough depth  $3\frac{9}{16}'' (90 \text{ mm})$
- millimetre-precision production, asymmetrical extensions possible\*
- integrated gripping feature, can be used as a towel holder
- wheelchair accessible
- loading capacity to EN 14688
- for hanger bolt fixing
- incl. appropriate number of necessary supports:
  - from  $W1/W2 = 27\frac{15}{16}'' (710 \text{ mm})$ : one support
  - from  $W1/W2 = 42\frac{1}{2}'' (1080 \text{ mm})$ : two supports
- prepared for single hole mixer tap
- without tap hole (for wall-mounted fittings)

Mineral composite

950.11.201S

950.11.200S

**All HEWI variable length washbasins are individually made to the dimensions specified by the customer and therefore cannot be exchanged or returned!**

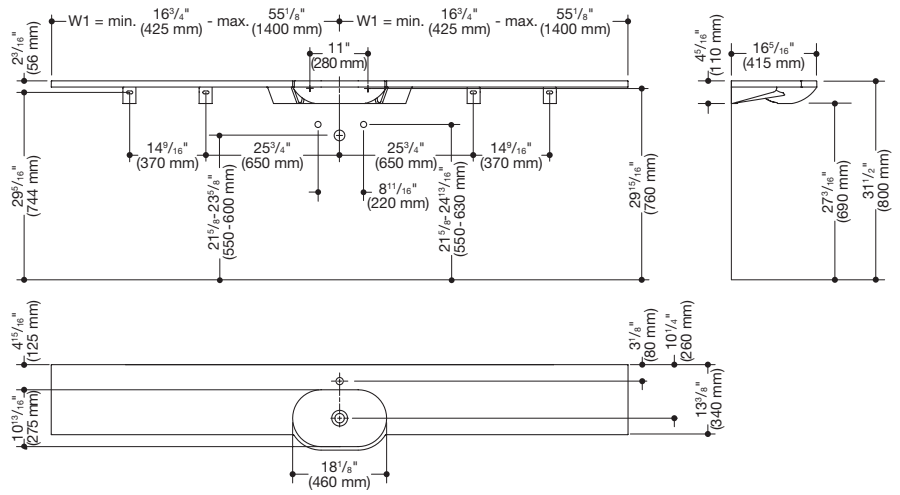
W1 in inch (in mm)	W2 in inch (in mm)					
	16 3/4 - 21 5/8 (425 - 549)	21 5/8 - 27 15/16 (550 - 709)	27 15/16 - 35 3/8 (710 - 899)	35 7/16 - 42 1/2 (900 - 1079)	42 1/2 - 45 1/4 (1080 - 1149)	45 1/4 - 55 1/8 (1150 - 1400)
16 3/4 - 21 5/8 (425 - 549)						
21 5/8 - 27 15/16 (550 - 709)						
27 15/16 - 35 3/8 (710 - 899)						
35 7/16 - 42 1/2 (900 - 1079)						
42 1/2 - 45 1/4 (1080 - 1149)						
45 1/4 - 55 1/8 (1150 - 1400)						

\*Manufacturing tolerances of up to - 0.4% of the total basin length possible.



Item Number

Dimensions / Specification



**HEWI Washbasin, variable length**

- with generously sized shelf and oval basin, without overflow
- alpine white, made of mineral composite with non-porous surface
- base length: 33 7/16" (850 mm), extendable to a total length of up to 110 1/4" (2800 mm), 16 5/16" (415 mm) deep, wash trough depth 3 9/16" (90 mm)
- millimetre-precision production, asymmetrical extensions possible\*
- wheelchair accessible
- loading capacity to EN 14688
- for hanger bolt fixing
- incl. appropriate number of necessary supports:
  - from W1/W2 = 27 15/16" (710 mm): one support
  - from W1/W2 = 42 1/2" (1080 mm): two supports
- prepared for single hole mixer tap
- without tap hole (for wall-mounted fittings)

Mineral composite

**950.11.221S**

**950.11.220S**

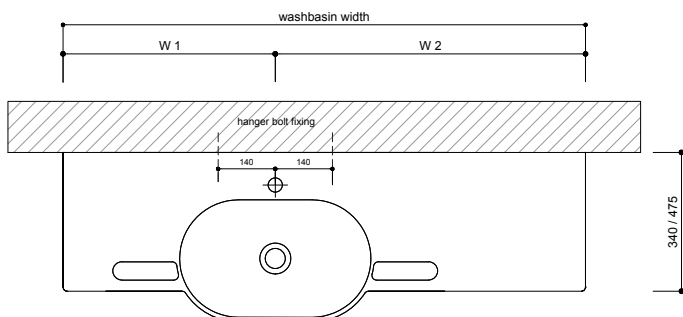
**All HEWI variable length washbasins are individually made to the dimensions specified by the customer and therefore cannot be exchanged or returned!**

W1 in inch (in mm)	W2 in inch (in mm)					
	16 3/4 - 21 5/8 (425 - 549)	21 5/8 - 27 15/16 (550 - 709)	27 15/16 - 35 3/8 (710 - 899)	35 7/16 - 42 1/2 (900 - 1079)	42 1/2 - 45 1/4 (1080 - 1149)	45 1/4 - 55 1/8 (1150 - 1400)
16 3/4 - 21 5/8 (425 - 549)						
21 5/8 - 27 15/16 (550 - 709)						
27 15/16 - 35 3/8 (710 - 899)						
35 7/16 - 42 1/2 (900 - 1079)						
42 1/2 - 45 1/4 (1080 - 1149)						
45 1/4 - 55 1/8 (1150 - 1400)						

\*Manufacturing tolerances of up to - 0.4% of the total basin length possible.

## POSSIBLE INSTALLATION SITUATIONS | ORDERING INSTRUCTIONS

### Freely on the wall

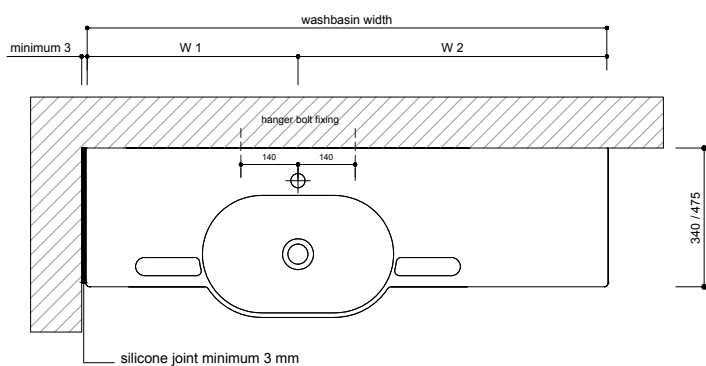


1. Measure the precise dimensions of the wall at the installation height of the washbasin after the wall surface has been finished.
2. Check the wall for unevenness.
3. Define the side washbasin projections W1 and W2

**Attention:**

minimum dimension  $W1/W2 = 16\ 3/4"$  (425 mm),  
 maximum dimension  $W1/W2 = 55\ 1/8"$  (1400 mm).

### One-sided on the wall

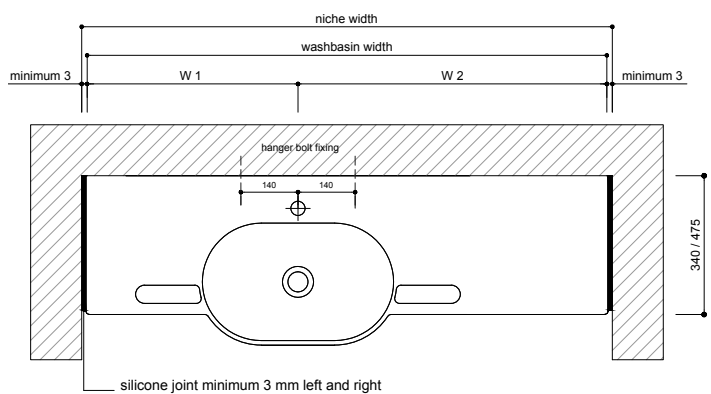


1. Measure the precise dimensions of the wall at the installation height of the washbasin after the wall surface has been finished.
2. Check the wall for unevenness.
3. Check whether the solid angle is 90°.
4. Define the side washbasin projections W1 and W2

**Attention:**

minimum dimension  $W1/W2 = 16\ 3/4"$  (425 mm),  
 maximum dimension  $W1/W2 = 55\ 1/8"$  (1400 mm).  
 Please note that a silicone joint at the side of at least 1/8" (3 mm) will be required.

### Niche

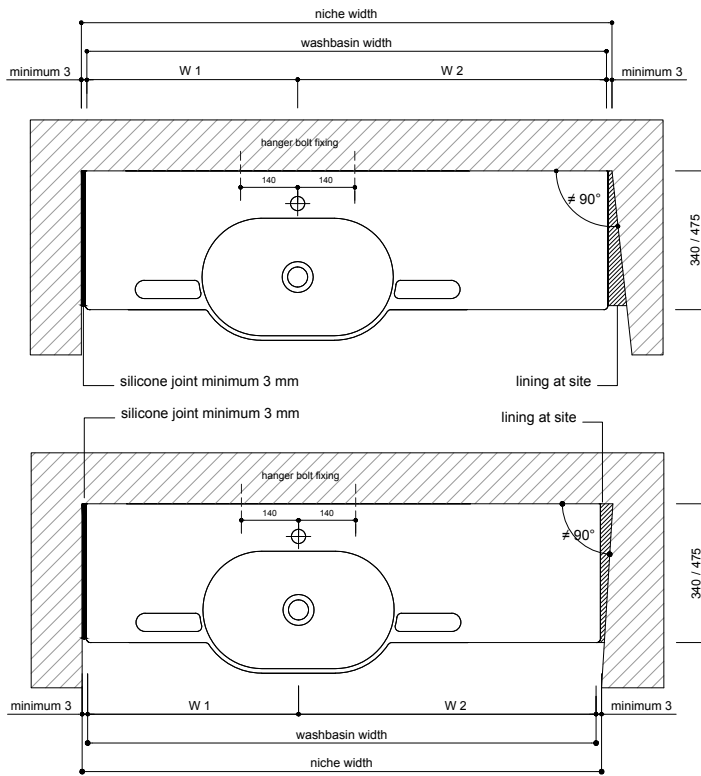


1. Measure the precise dimensions of the niche at the installation height of the washbasin after the wall surface has been finished.
2. Check the wall for unevenness.
3. Check whether the niche angles are each 90°.
4. Define the side washbasin projections W1 and W2

**Attention:**

minimum dimension  $W1/W2 = 16\ 3/4"$  (425 mm),  
 maximum dimension  $W1/W2 = 55\ 1/8"$  (1400 mm).  
 Please note that a silicone joint of at least 1/8" (3 mm) will be required on each side.

**Niche, not right-angled**

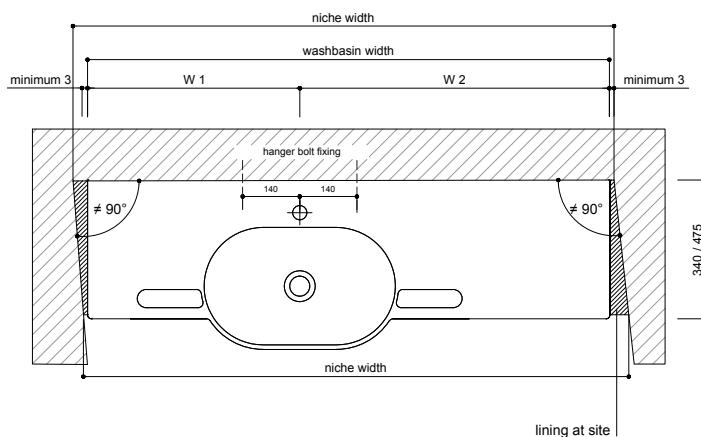


1. Measure the precise dimensions of the wall at the installation height of the washbasin after the wall surface has been finished.
2. Check the wall for unevenness.
3. If the niche angle is not 90°, line on site to form 90°.
4. Define the side washbasin projections W1 and W2

**Attention:**

minimum dimension W1/W2 = 16 3/4" (425 mm),  
 maximum dimension W1/W2 = 55 1/8" (1400 mm).  
 Please note that a silicone joint of at least 1/8" (3 mm) will be require on each side.

**Niche, not right-angled**

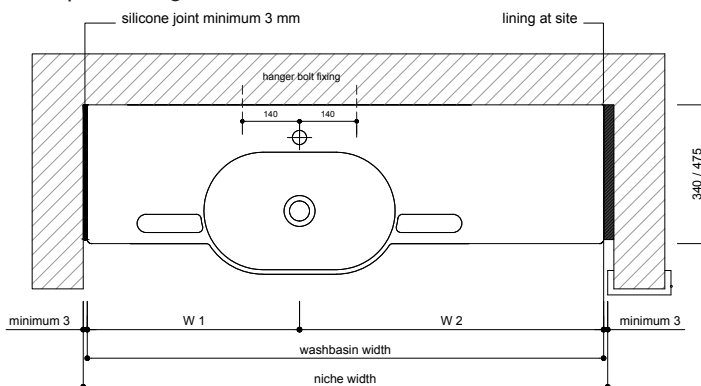


1. Measure the precise dimensions of the wall at the installation height of the washbasin and the installation depth (340 mm) after the wall surface has been finished.
2. Check the wall for unevenness.
3. If the niche angle is not 90°, line on site to form 90°.
4. Define the side washbasin projections W1 and W2

**Attention:**

minimum dimension W1/W2 = 16 3/4" (425 mm),  
 maximum dimension W1/W2 = 55 1/8" (1400 mm).  
 Please note that a silicone joint of at least 1/8" (3 mm) will be required on each side.

**Niche | Door lining**



1. Measure the precise dimensions of the wall at the installation height of the washbasin after the wall surface has been finished.
2. Check the wall for unevenness.
3. Check whether the niche angles are each 90°.

If door lining cannot be removed for installation of the washbasin

4. Determine the niche width (taking into account doorframe)
5. Define the side washbasin projections W1 and W2

**Attention:**

minimum dimension W1/W2 = 16 3/4" (425 mm),  
 maximum dimension W1/W2 = 55 1/8" (1400 mm).  
 Please note that a silicone joint of at least 1/8" (3 mm) will be required on each side.



# Modular washbasin system

## Independence and comfort

With the new washbasin concept, HEWI is continuing the success story of its innovative washbasins.

### Modular washbasin system

The innovative concept allows the integration of an adaptive support rail and a modular storage system directly on the washbasin. It is available with four attractive stainless steel surfaces with powder coating. The material creates a noble appearance on the washbasin, which has an extremely resistant surface and offers a high degree of grip comfort when holding the grab bar.

### Washbasin elements

The washbasins can be extended by the modular system – as required by the individual needs of the user.

### Washbasin sets

Sensibly composed sets allow straightforward expansion of the washbasin by useful elements.

### Wall profiles

Due to the timeless and modern design, the organisation system is also ideal for the wall.

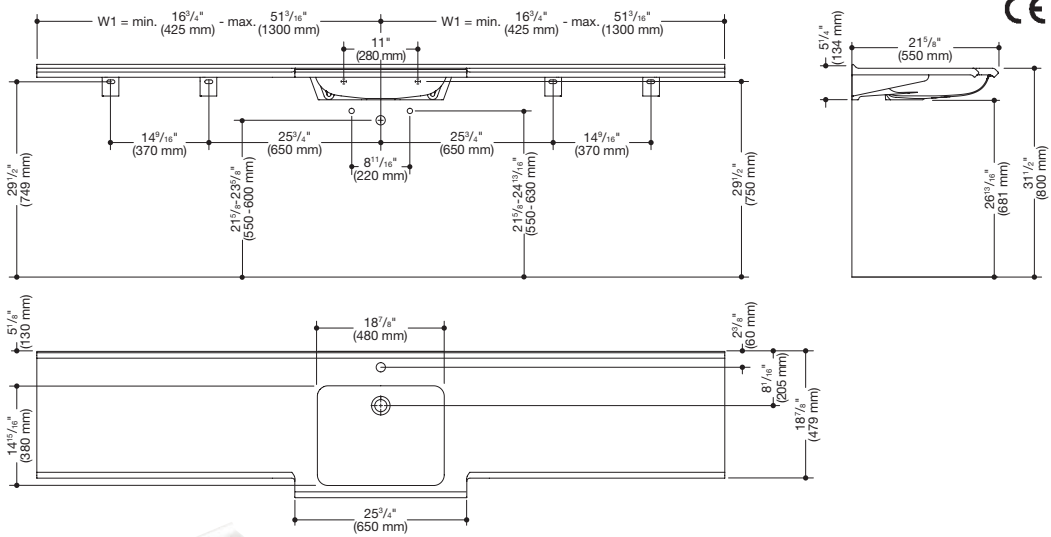
[www.hewi.com/en/washbasinsystem](http://www.hewi.com/en/washbasinsystem)





Item Number

Dimensions / Specification



**New** 950.13.201S  
**New** 950.13.200S

### HEWI Washbasin, variable length

- modular washbasin system: with support rail extendable or removable
- with shelf and deep rectangular basin with generous radii
- with gushing edge to wall
- without overflow
- alpine white, made of mineral composite with non-porous surface
- base length: 33 7/16" (850 mm), extendable to a total length of up to 102 3/8" (2600 mm), 21 5/8" (550 mm) deep, wash trough depth 3 15/16" (100 mm)
- wheelchair accessible to DIN 18040 and ÖNORM B 1600/1601
- loading capacity to EN 14688
- for hanger bolt fixing
- incl. appropriate number of necessary supports
- prepared for single hole mixer tap
- without tap hole (for wall-mounted fittings)



**New** 950.13.203S  
**New** 950.13.202S

### HEWI Washbasin, variable length

- do., includes overflow with rose and cover
- overflow can be replaced and renewed if necessary
- overflow is mounted between drain and siphon under the washbasin, 1" (25 mm) high, ø 2 3/4" (70 mm)
- prepared for single hole mixer tap
- without tap hole (for wall-mounted fittings)

Mineral composite

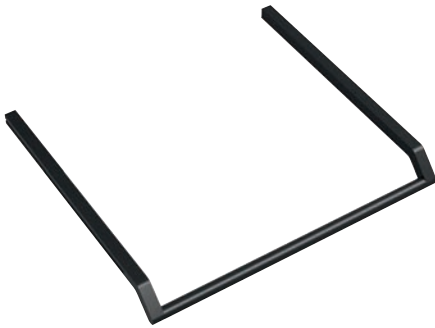
**All HEWI variable length washbasins are individually made to the dimensions specified by the customer and therefore cannot be exchanged or returned!**

W1 in inch (in mm)	W2 in inch (in mm)					
	16 3/4 - 21 5/8 (425 - 549)	21 5/8 - 27 15/16 (550 - 709)	27 15/16 - 35 3/8 (710 - 899)	35 7/16 - 42 1/2 (900 - 1079)	42 1/2 - 45 1/4 (1080 - 1149)	45 1/4 - 51 3/16 (1150 - 1300)
16 3/4 - 21 5/8 (425 - 549)						
21 5/8 - 27 15/16 (550 - 709)						
27 15/16 - 35 3/8 (710 - 899)						
35 7/16 - 42 1/2 (900 - 1079)						
42 1/2 - 45 1/4 (1080 - 1149)						
45 1/4 - 51 3/16 (1150 - 1300)						

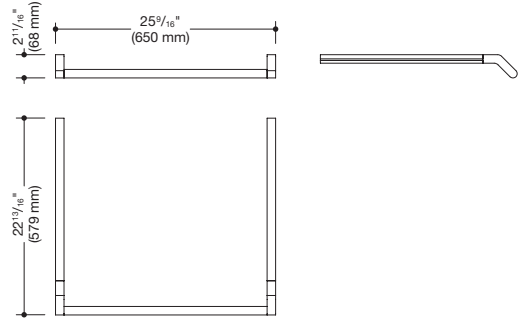
\*Manufacturing tolerances of up to -0.4% of the total basin length possible.

Item Number

Dimensions / Specification



950.13.0001

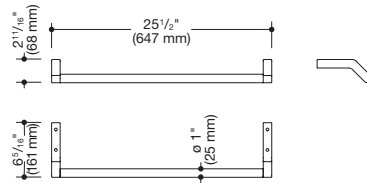


**HEWI Washbasin profiles with support rail**

- adaptive additional function for washbasin model 950.13.20..
- support rail, can also be used as a towel holder
- 25 9/16" (650 mm) wide, rail  $\varnothing$  1" (25 mm)
- loading capacity up to 176.4 lbs (80 kg)
- made of high-quality stainless steel, powder-coated in HEWI colors DX (matt white), SC (matt dark gray pearl mica) and DC (matt black)
- mounted under the washbasin using two profiles
- including non-corrosive HEWI fixing material



**New** 950.13.0023

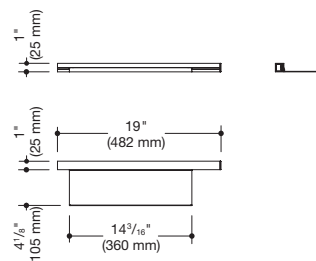


**HEWI Washbasin support rail**

- adaptive additional function for variable-length washbasin model 950.13.20...S
- support rail can also be used as a towel holder
- 25 9/16" (650 mm) wide, rail  $\varnothing$  1" (25 mm)
- loading capacity up to 176.4 lbs (80 kg)
- rail made of high-quality stainless steel, powder-coated in HEWI colors DX (matt white), SC (matt dark gray pearl mica) and DC (matt black)



950.13.0002



**HEWI Washbasin profile with shelf**

- adaptive additional function for washbasin model 950.13.20..
- shelf can easily be inserted and removed in the profile on the washbasin
- shelf 14 3/16" (360 mm) wide, 4 1/8" (105 mm) deep
- loading capacity up to 4.4 lbs (2 kg)
- made of high-quality stainless steel, powder-coated in HEWI colors DX (matt white), SC (matt dark gray pearl mica) and DC (matt black)
- including non-corrosive HEWI fixing material

**HEWI Surfaces**

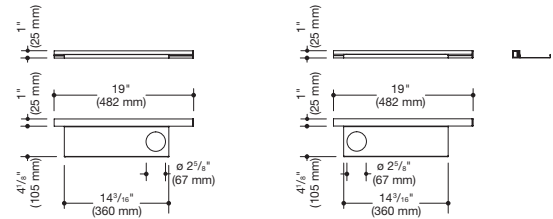
- ... **DX** matt white
- ... **SC** matt dark gray pearl mica
- ... **DC** matt black

Item Number

Dimensions / Specification



950.13.0003  
950.13.0004

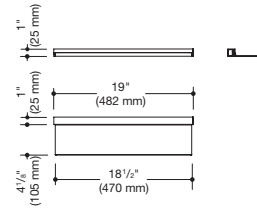


**HEWI Washbasin profile with shelf**

- adaptive additional function for washbasin model 950.13.20..
- shelf can easily be inserted and removed in the profile on the washbasin
- shelf 14 3/16" (360 mm) wide, 4 1/8" (105 mm) deep
- loading capacity up to 4.4 lbs (2 kg)
- hole for tumbler or soap dispenser system 800 K (page 315)
- made of high-quality stainless steel, powder-coated in HEWI colors DX (matt white), SC (matt dark gray pearl mica) and DC (matt black), including non-corrosive HEWI fixing material
- hole right
- hole left



950.13.0005

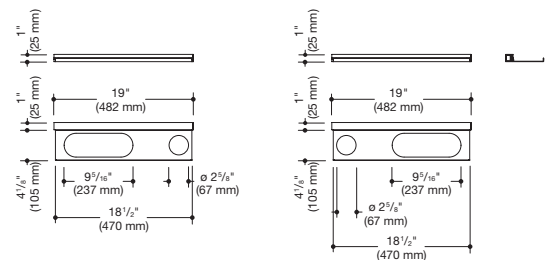


**HEWI Washbasin profile with shelf**

- adaptive additional function for washbasin model 950.13.20..
- shelf can easily be inserted and removed in the profile on the washbasin
- shelf 18 1/2" (470 mm) wide, 4 1/8" (105 mm) deep
- loading capacity up to 4.4 lbs (2 kg)
- made of high-quality stainless steel, powder-coated in HEWI colors DX (matt white), SC (matt dark gray pearl mica) and DC (matt black), including non-corrosive HEWI fixing material



950.13.0006  
950.13.0007



**HEWI Washbasin profile with shelf**

- adaptive additional function for washbasin model 950.13.20..
- shelf can easily be inserted and removed in the profile on the washbasin
- shelf 18 1/2" (470 mm) wide, 4 1/8" (105 mm) deep
- loading capacity up to 4.4 lbs (2 kg)
- hole for tumbler or soap dispenser system 800 K, oblong hole for shower basket system 800 K (see page 315)
- made of high-quality stainless steel, powder-coated in HEWI colors DX (matt white), SC (matt dark gray pearl mica) and DC (matt black), including non-corrosive HEWI fixing material
- hole right, oblong hole left
- hole left, oblong hole right

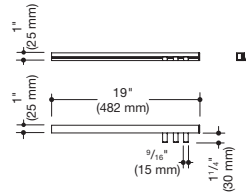


Item Number

Dimensions / Specification



950.13.0008

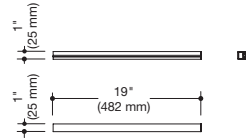


**HEWI Washbasin profile with 3 hooks**

- adaptive additional function for washbasin model 950.13.20..
- hooks can easily be inserted and removed in the profile on the washbasin
- profile 19" (482 mm) long, hooks each 9/16" (15 mm) wide and 1 1/4" (30 mm) deep
- made of high-quality stainless steel, powder-coated in HEWI colors DX (matt white), SC (matt dark gray pearl mica) and DC (matt black)
- loading capacity up to 4.4 lbs (2 kg)
- including non-corrosive HEWI fixing material

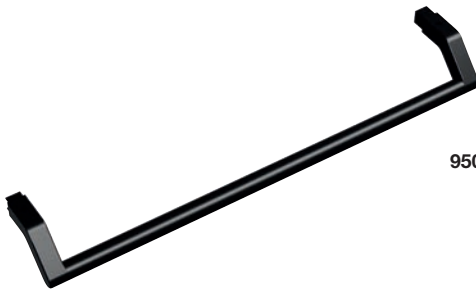


950.13.0009

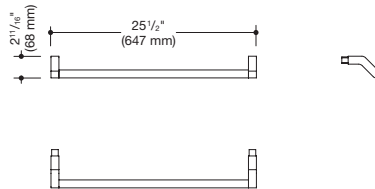


**HEWI Washbasin profile with cap**

- can be mounted under washbasin model 950.13.20..
- hooks and shelves can easily be inserted and removed using the profile on the washbasin
- 19" (482 mm) long, 1" x 1" (25 x 25 mm)
- made of aluminum, powder-coated in HEWI colors DX (matt white), SC (matt dark gray pearl mica) and DC (matt black)
- including non-corrosive HEWI fixing material



950.13.0021



**HEWI Washbasin support rail**

- adaptive additional function for washbasin model 950.13.20..
- support rail, can also be used as a towel holder
- 25 1/2" (647 mm), 2 1/16" (68 mm) deep, rail ø 1" (25 mm)
- made of high-quality stainless steel, powder-coated in HEWI colors DX (matt white), SC (matt dark gray pearl mica) and DC (matt black)
- loading capacity up to 176.4 lbs (80 kg)
- mounted under the washbasin using two profiles



**HEWI Surfaces**

- ... **DX** matt white
- ... **SC** matt dark gray pearl mica
- ... **DC** matt black



# Washbasin sets

## Well thought-through combinations

Create an overview at your washbasin with HEWI's modular washbasin system. With the pre-configured washbasin sets, practical solutions are available for expanding the washbasin.

We have put together the most popular variations as sets for you. These are based on the individual needs of the users and are specially adapted to the respective requirements.

# Washbasin sets



Washbasin set 950.19.070 | 950.19.080 (with overflow)



**950.19.070 | 950.19.080**

consisting of:  
 950.13.201 | 950.13.203 Washbasin  
 950.13.0001 Washbasin profiles with support rail

see page 306



Washbasin set 950.19.071 | 950.19.081 (with overflow)



**950.19.071 | 950.19.081**

consisting of:  
 950.13.201 | 950.13.203 Washbasin  
 950.13.0001 Washbasin profiles with support rail  
 950.13.0013 (2x) Hook

see page 307



Washbasin set 950.19.072 | 950.19.082 (with overflow)



**950.19.072 | 950.19.082**

consisting of:  
 950.13.201 | 950.13.203 Washbasin  
 950.13.0001 Washbasin profiles with support rail  
 950.13.0014 Shelf

see page 308



Washbasin set 950.19.073 | 950.19.083 (with overflow)



**950.19.073 | 950.19.083**

consisting of:  
 950.13.201 | 950.13.203 Washbasin  
 950.13.0001 Washbasin profiles with support rail  
 950.13.0014 Shelf  
 950.13.0018 Shelf, hole right and oblong hole  
 950.13.0013 Hook

see page 309



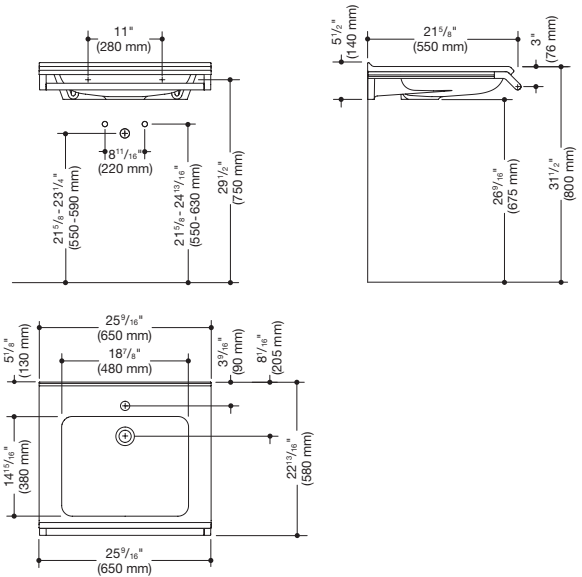
Washbasin set 950.19.074 | 950.19.084 (with overflow)



**950.19.074 | 950.19.084**

consisting of:  
 950.13.201 | 950.13.203 Washbasin  
 950.13.0003 Washbasin profile w. shelf, hole right  
 950.13.0005 Washbasin profile with shelf  
 950.13.0013 Hook

see page 310



950.19.070

**HEWI Set washbasin with support rail**

set includes:

- washbasin 950.13.201
  - modular washbasin system: adaptive additional functions can be extended or removed
  - with shelf and deep rectangular basin with generous radii
  - with gushing edge to wall, without overflow
  - alpine white, mineral composite material with non-porous surface
  - 25 9/16" (650 mm) wide, 21 5/8" (550 mm) deep
  - prepared for single hole mixer tap
  - wheelchair accessible to DIN 18040 and ÖNORM B1600/1601
  - loading capacity to EN 14688
  - for hanger bolt fixing
- washbasin profiles with support rail 950.13.0001
  - support rail, can also be used as a towel holder, loading capacity up to 176.4 lbs (80 kg)
  - 25 9/16" (650 mm) wide, rail ø 1" (25 mm)
  - mounted under the washbasin using two profiles
  - rail made of high-quality stainless steel, powder-coated in HEWI colors DX (matt white), SC (matt dark gray pearl mica) and DC (matt black)



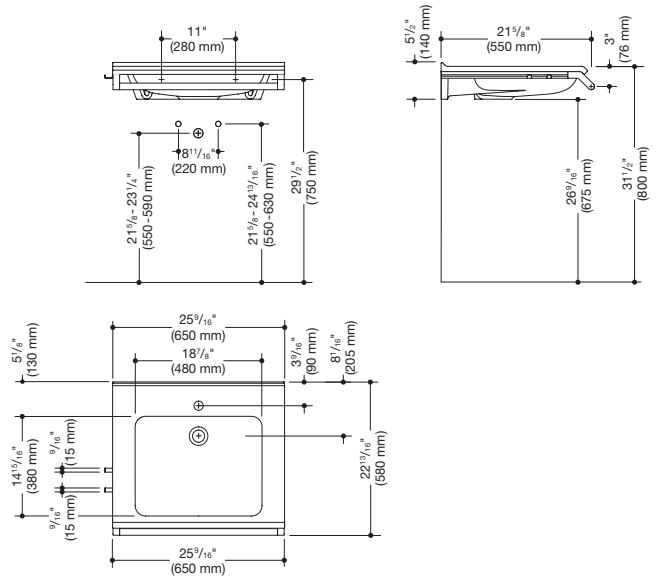
**New** 950.19.080

**HEWI Set washbasin with support rail**

- do., washbasin 950.13.203
  - inclusive overflow, with rose and cover
  - overflow can be replaced and renewed if necessary
  - overflow is mounted between drain and siphon under the washbasin, h = 1" (25 mm), ø = 2 3/4" (70 mm)

Please advise the surface of the washbasin profiles with support rail when ordering.





950.19.071

**HEWI Set washbasin with support rail and 2 hooks**

set includes:

- washbasin 950.13.201
- modular washbasin system: adaptive additional functions can be extended or removed
- with shelf and deep rectangular basin with generous radii
- with gushing edge to wall, without overflow
- alpine white, mineral composite material with non-porous surface
- 25 9/16" (650 mm) wide, 21 5/8" (550 mm) deep
- prepared for single hole mixer tap
- wheelchair accessible to DIN 18040 and ÖNORM B 1600/1601
- loading capacity to EN 14688
- for hanger bolt fixing
- washbasin profiles with support rail 950.13.0001
- support rail, can also be used as a towel holder, loading capacity up to 176.4 lbs (80 kg)
- 25 9/16" (650 mm) wide, rail ø 1" (25 mm)
- mounted under the washbasin using two profiles
- 2 x hook 950.13.0013
- hooks can easily be inserted and removed in the profile, loading capacity up to 4.4 lbs (2 kg)
- 9/16" (15 mm) wide
- hooks and rail made of high-quality stainless steel, powder-coated in HEWI colors DX (matt white), SC (matt dark gray pearl mica) and DC (matt black)
- including non-corrosive HEWI fixing material



**New** 950.19.081

**HEWI Set washbasin with support rail and 2 hooks**

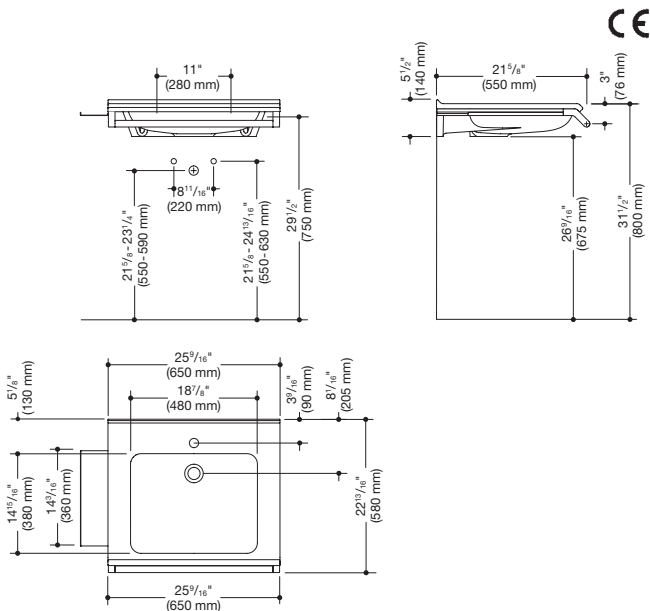
- do., washbasin 950.13.203
- inclusive overflow, with rose and cover
- overflow can be replaced and renewed if necessary
- overflow is mounted between drain and siphon under the washbasin, h = 1" (25 mm), ø = 2 3/4" (70 mm)



**HEWI Surfaces**

- ... **DX** matt white
- ... **SC** matt dark gray pearl mica
- ... **DC** matt black

Please advise the surface of the washbasin profiles with support rail and hooks when ordering.



950.19.072

**HEWI Set washbasin with support rail and shelf**

set includes:

- washbasin 950.13.201
  - modular washbasin system: adaptive additional functions can be extended or removed
  - with shelf and deep rectangular basin with generous radii
  - with gushing edge to wall, without overflow
  - alpine white, mineral composite material with non-porous surface
  - 25 9/16" (650 mm) wide, 21 5/8" (550 mm) deep
  - prepared for single hole mixer tap
  - wheelchair accessible to DIN 18040 and ÖNORM B 1600/1601
  - loading capacity to EN 14688
  - for hanger bolt fixing



- washbasin profiles with support rail 950.13.0001
  - support rail, can also be used as a towel holder, loading capacity up to 176.4 lbs (80 kg)
  - 25 9/16" (650 mm) wide, rail  $\phi$  1" (25 mm)
  - mounted under the washbasin using two profiles
- shelf 950.13.0014
  - shelf can easily be inserted and removed in the profile, loading capacity up to 4.4 lbs (2 kg)
  - 14 3/16" (360 mm) wide, 4" (102 mm) deep
- shelf and rail made of high-quality stainless steel, powder-coated in HEWI colors DX (matt white), SC (matt dark gray pearl mica) and DC (matt black)
- including non-corrosive HEWI fixing material

**New** 950.19.082

**HEWI Set washbasin with support rail and shelf**

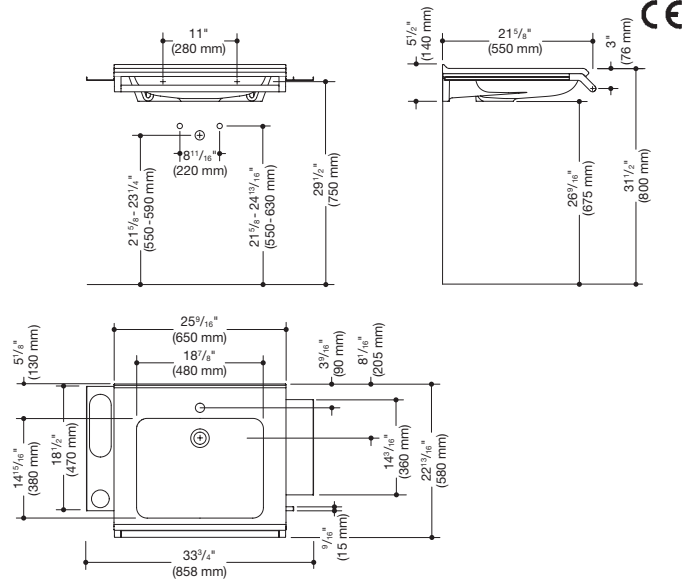
- do., washbasin 950.13.203
  - inclusive overflow, with rose and cover
  - overflow can be replaced and renewed if necessary
  - overflow is mounted between drain and siphon under the washbasin, h = 1" (25 mm),  $\phi$  = 2 3/4" (70 mm)



Please advise the surface of the washbasin profiles with support rail and shelf when ordering.

Item Number

Dimensions / Specification



950.19.073

**HEWI Set washbasin with support rail, 2 shelves and hook**

set includes:

- washbasin 950.13.201
  - modular washbasin system: adaptive additional functions can be extended or removed
  - with shelf and deep rectangular basin with generous radii
  - with gushing edge to wall, without overflow
  - alpine white, mineral composite material with non-porous surface
  - 25 9/16" (650 mm) wide, 21 5/8" (550 mm) deep
  - prepared for single hole mixer tap
  - wheelchair accessible to DIN 18040 and ÖNORM B 1600/1601
  - loading capacity to EN 14688, for hanger bolt fixing
- washbasin profiles with support rail 950.13.0001
  - support rail, can also be used as a towel holder, loading capacity up to 176.4 lbs (80 kg)
  - 25 9/16" (650 mm) wide, rail ø 1" (25 mm)
  - mounted under the washbasin using two profiles
- shelf 950.13.0014
  - 14 3/16" (360 mm) wide, 4" (102 mm) deep
- shelf 950.13.0018
  - 18 1/2" (470 mm) wide, 4" (102 mm) deep
  - hole for tumbler or soap dispenser system 800 K, oblong hole for shower basket system 800 K (see page 315)
- hook 950.13.0013
  - 9/16" (15 mm) wide
- shelves and hook can easily be inserted and removed in the profile, loading capacity up to 4.4 lbs (2 kg)
- shelves, hook and rail made of high-quality stainless steel, powder-coated in HEWI colors DX (matt white), SC (matt dark gray pearl mica) and DC (matt black)
- including non-corrosive HEWI fixing material



**New** 950.19.083

**HEWI Set washbasin with support rail, 2 shelves and hooks**

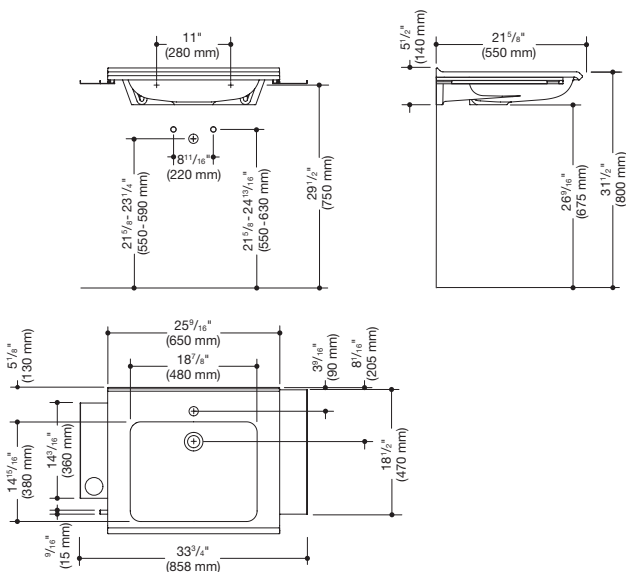
- do., washbasin 950.13.203
  - inclusive overflow, with rose and cover
  - overflow can be replaced and renewed if necessary
  - overflow is mounted between drain and siphon under the washbasin, h = 1" (25 mm), ø = 2 3/4" (70 mm)

Please advise the surface of the washbasin profiles with support rail, shelves and hook when ordering.



**HEWI Surfaces**

- ... **DX** matt white
- ... **SC** matt dark gray pearl mica
- ... **DC** matt black



950.19.074

**HEWI Set washbasin with 2 shelves and hook**

set includes:

- washbasin 950.13.201
  - modular washbasin system: adaptive additional functions can be extended or removed
  - with shelf and deep rectangular basin with generous radii
  - with gushing edge to wall, without overflow
  - alpine white, mineral composite material with non-porous surface
  - 25 9/16" (650 mm) wide, 21 5/8" (550 mm) deep
  - prepared for single hole mixer tap
  - wheelchair accessible to DIN 18040 and ÖNORM B 1600/1601
  - loading capacity to EN 14688
  - for hanger bolt fixing
- washbasin profile with shelf 950.13.0003
  - 14 3/16" (360 mm) wide, 4" (102 mm) deep
  - hole for tumbler or soap dispenser system 800 K (page 315)
- washbasin profile with shelf 950.13.0005
  - 18 1/2" (470 mm) wide, 4" (102 mm) deep
- hook 950.13.0013
  - 9/16" (15 mm) wide
- shelves and hook can easily be inserted and removed in the profile, loading capacity up to 4.4 lbs (2 kg)
- shelves and hook made of high-quality stainless steel, powder-coated in HEWI colors DX (matt white), SC (matt dark gray pearl mica) and DC (matt black)
- including non-corrosive HEWI fixing material



**New** 950.19.084

**HEWI Set washbasin with 2 shelves and hook**

- do., washbasin 950.13.203
  - inclusive overflow, with rose and cover
  - overflow can be replaced and renewed if necessary
  - overflow is mounted between drain and siphon under the washbasin, h = 1" (25 mm), ø = 2 3/4" (70 mm)

Please advise the surface of the washbasin profiles with shelves and hook when ordering.



**HEWI Surfaces**

- ... **DX** matt white
- ... **SC** matt dark gray pearl mica
- ... **DC** matt black

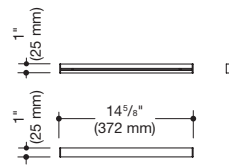


# Wall profiles



Item Number

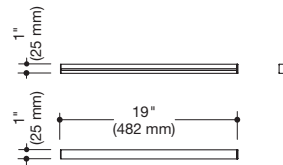
Dimensions / Specification



950.13.0010

**HEWI Wall profile with caps**

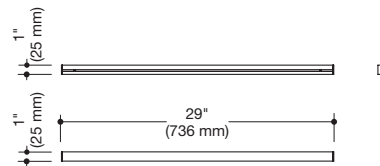
- for wall mounting
- hooks and shelves can easily be inserted and removed using the profile, suitable for shelf 14 3/16" (360 mm) or hooks
- 14 5/8" (372 mm) long, □ 1" x 1" (25 x 25 mm)
- made of aluminum, powder-coated in HEWI colors DX (matt white), SC (matt dark gray pearl mica) and DC (matt black)
- including non-corrosive HEWI fixing material



950.13.0011

**HEWI Wall profile with caps**

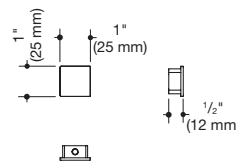
- do., suitable for shelves 14 3/16" (360 mm) and 18 1/2" (470 mm), hooks or shelf 14 3/16" (360 mm) combined with hooks
- 19" (482 mm) long



950.13.0012

**HEWI Wall profile with caps**

- do., suitable for shelves 14 3/16" (360 mm) and 18 1/2" (470 mm), hooks or two shelves 14 3/16" (360 mm) combined
- 29" (736 mm) long



950.13.0020

**HEWI Profile cap**

- end cap for washbasin profile 950.13.0009 and wall profiles 950.13.001..
- □ 1" x 1" (25 x 25 mm)
- made of aluminum, powder-coated in HEWI colors DX (matt white), SC (matt dark gray pearl mica) and DC (matt black)



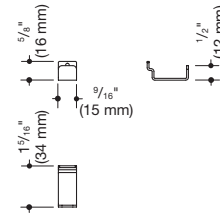
More options at [hewi.com](http://hewi.com)

Item Number

Dimensions / Specification



**950.13.0013**

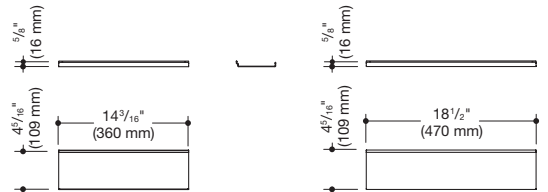


**HEWI Hook**

- adaptive additional functions for washbasin profiles 950.13.0001 and 950.13.0009 or wall profiles 950.13.001..
- hook can easily be inserted and removed in the profile
- 9/16" (15 mm) wide, 1 5/16" (34 mm) deep
- made of high-quality stainless steel, powder-coated in HEWI colors DX (matt white), SC (matt dark gray pearl mica) and DC (matt black)
- loading capacity up to 4.4 lbs (2 kg)



**950.13.0014**  
**950.13.0017**

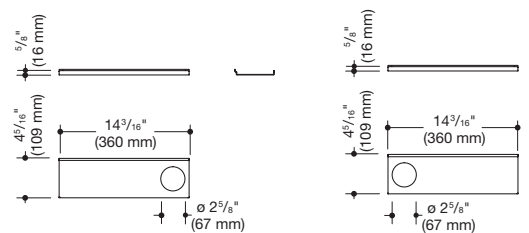


**HEWI Shelf**

- adaptive additional functions for washbasin profiles 950.13.0001 and 950.13.0009 or wall profiles 950.13.001..
- shelf can easily be inserted and removed in the profile
- made of high-quality stainless steel, powder-coated in HEWI colors DX (matt white), SC (matt dark gray pearl mica) and DC (matt black)
- loading capacity up to 4.4 lbs (2 kg)
- shelf 14 3/16" (360 mm) wide, 4 5/16" (109 mm) deep
- shelf 18 1/2" (470 mm) wide, 4 5/16" (109 mm) deep



**950.13.0015**  
**950.13.0016**



**HEWI Shelf with hole**

- adaptive additional functions for washbasin profiles 950.13.0001 and 950.13.0009 or wall profiles 950.13.001..
- shelf can easily be inserted and removed in the profile
- shelf 14 3/16" (360 mm) wide, 4 5/16" (109 mm) deep
- hole for tumbler or soap dispenser system 800 K (page 315)
- made of high-quality stainless steel, powder-coated in HEWI colors DX (matt white), SC (matt dark gray pearl mica) and DC (matt black)
- loading capacity up to 4.4 lbs (2 kg)
- hole right
- hole left

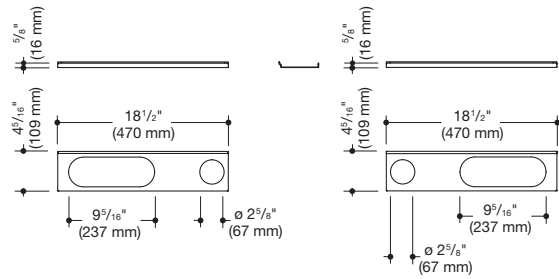


**HEWI Surfaces**

- ... **DX** matt white
- ... **SC** matt dark gray pearl mica
- ... **DC** matt black

Item Number

Dimensions / Specification



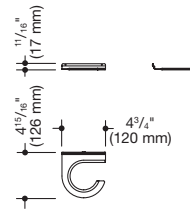
950.13.0018  
950.13.0019

**HEWI Shelf with hole and oblong hole**

- adaptive additional functions for washbasin profiles 950.13.0001 and 950.13.0009 or wall profiles 950.13.001..
- shelf can easily be inserted and removed in the profile
- shelf 18 1/2" (470 mm) wide, 4 5/16" (109 mm) deep
- hole for tumbler or soap dispenser system 800 K, oblong hole for shower basket system 800 K (see right)
- made of high-quality stainless steel, powder-coated in HEWI colors DX (matt white), SC (matt dark gray pearl mica) and DC (matt black)
- loading capacity up to 4.4 lbs (2 kg)
- hole right, oblong hole left
- hole left, oblong hole right



**New** 950.13.0027

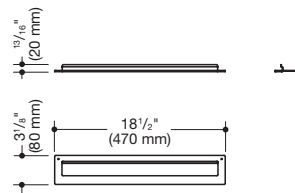


**HEWI Walking aid holder**

- adaptive additional functions for washbasin and wall profiles
- walking aid holder can easily be inserted and removed in the profile
- 4 3/4" (120 mm) wide, 4 15/16" (126 mm) deep
- loading capacity up to 4.4 lbs (2 kg)
- made of high-quality stainless steel, powder-coated in HEWI colors DX (matt white), SC (matt dark gray pearl mica) and DC (matt black)
- black rubber lip on the inside as edge protection



**New** 950.13.0026



**HEWI Towel rail**

- adaptive additional functions for washbasin or wall profiles
- towel rail can easily be inserted and removed in the profile
- 18 1/2" (470 mm) wide, 3 1/8" (80 mm) deep
- made of aluminium, powder-coated in HEWI colors DX (matt white), SC (matt dark gray pearl mica) and DC (matt black)



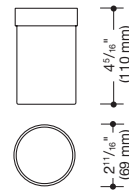
**HEWI Surfaces**

- ... **DX** matt white
- ... **SC** matt dark gray pearl mica
- ... **DC** matt black

More options at [hewi.com](http://hewi.com)

Item Number

Dimensions / Specification



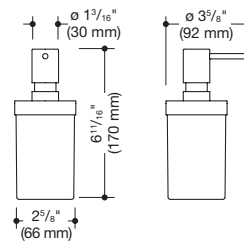
**800.04.010**  
**800.04B010**

**HEWI Tumbler**

**suitable for shelves with hole 950.13.00...**

- cylindrical tumbler with flat bottom
- upper  $\varnothing$  2 11/16" (69 mm), 4 5/16" (110 mm) high
- made of high-quality polyamide in 16 HEWI colors
- made of high-quality matt polyamide in 16 HEWI colors

Please advise color when ordering.



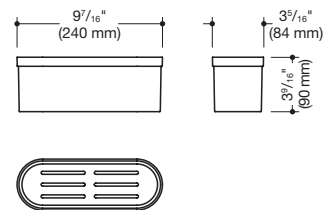
**800.06.010**  
**800.06B010**

**HEWI Soap dispenser**

**suitable for shelves with hole 950.13.00...**

- upper  $\varnothing$  2 11/16" (69 mm), 6 1/16" (170 mm) high incl. pump
- pump made of metal, high-quality chrome-plated
- capacity approx. 6.8 fl oz (200 ml)
- made of high-quality polyamide in 16 HEWI colors
- made of high-quality matt polyamide in 6 HEWI colors

Please advise color when ordering.



**800.03.010**  
**800.03B010**

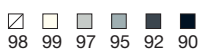
**HEWI Insert**

**suitable for shelves with oblong hole 950.13.00...**

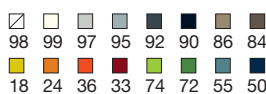
- 9 7/16" (240 mm) long, 3 9/16" (90 mm) high, 3 5/16" (84 mm) deep
- made of high-quality polyamide in 16 HEWI colors
- made of high-quality matt polyamide in 6 HEWI colors

Please advise color when ordering.

**6 matt HEWI colors**



**16 HEWI colors**



# Coat hangers



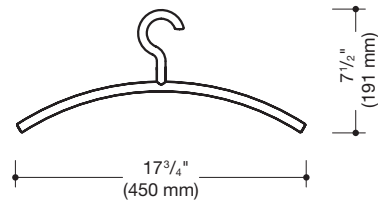
Item Number

Dimensions / Specification



**570.1**  
**New** **570.99.001**  
**570.3**

**570.1B**  
**New** **570.99.002**  
**570.3B**

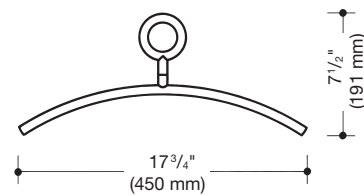


**HEWI Coat hanger**

- $\varnothing$  9/16" (15 mm), suitable for HEWI rails  $\varnothing$  1 5/16" (33 mm)
- made of high-quality polyamide in 16 HEWI colors
- with fixed hook
- do., packaging unit 5 pcs. (identical colors)
- with rotating hook with locking points at 90° intervals
- made of high-quality matt polyamide in 16 HEWI colors
- with fixed hook
- do., packaging unit 5 pcs. (identical colors)
- with rotating hook with locking points at 90° intervals



**570.2**  
**570.4**

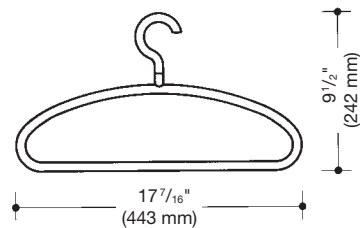


**HEWI Coat hanger**

- $\varnothing$  9/16" (15 mm), closed eye
- suitable for HEWI rails  $\varnothing$  1 5/16" (33 mm)
- made of high-quality polyamide in 16 HEWI colors
- with fixed eye
- with rotating eye with locking points at 90° intervals



**571.3**

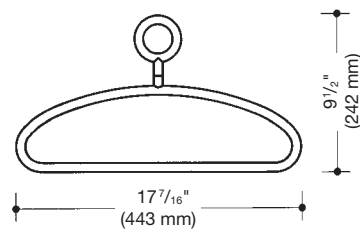


**HEWI Coat/trouser hanger**

- $\varnothing$  9/16" (15 mm), suitable for HEWI rails  $\varnothing$  1 5/16" (33 mm)
- with rotating hook with locking points at 90° intervals
- made of high-quality polyamide in 16 HEWI colors



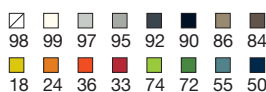
**571.4**



**HEWI Coat/trouser hanger**

- $\varnothing$  9/16" (15 mm), suitable for HEWI rails  $\varnothing$  1 5/16" (33 mm)
- with rotating eye with locking points at 90° intervals
- made of high-quality polyamide in 16 HEWI colors

**16 HEWI colors**



## Cabinet hardware

### PRODUCT CHARACTERISTICS

- HEWI cabinet furniture is designed to be functional and are characterised by lasting quality
- They are made of high-quality, high-gloss polyamide or with a velvety finish in the matt edition
- Flush pulls, handles and knobs are available in 16 HEWI colors

### RECOMMENDED APPLICATION AREAS

Home, Hotel, Public





# Cabinet hardware

## Polyamide, matt edition

### **POLYAMIDE, MATT EDITION**

Product range	320 – 321
Furniture handles	322 – 329
Cupboard knobs	330 – 333
Flush pulls	334 – 335
Fixing types	336 – 337



16 HEWI COLORS

- 98 (signal white)
- 99 (pure white)
- 97 (light gray)
- 95 (stone gray)
- 92 (anthracite gray)
- 90 (jet black)
- 86 (sand)
- 84 (umber)

FURNITURE HANDLES Ø 3/8" (10 MM)



548.74 L = 74 mm  
548.74B  
page 322

548.86 L = 86 mm  
548.86B  
page 322

548.106 L = 106 mm  
548.106B  
page 322

548.110 L = 110 mm  
548.110B  
page 322

548.138 L = 138 mm  
548.138B  
page 323

FURNITURE HANDLES Ø 3/8" (10 MM)



548RD42 L = 42 mm  
548RD42B  
page 323

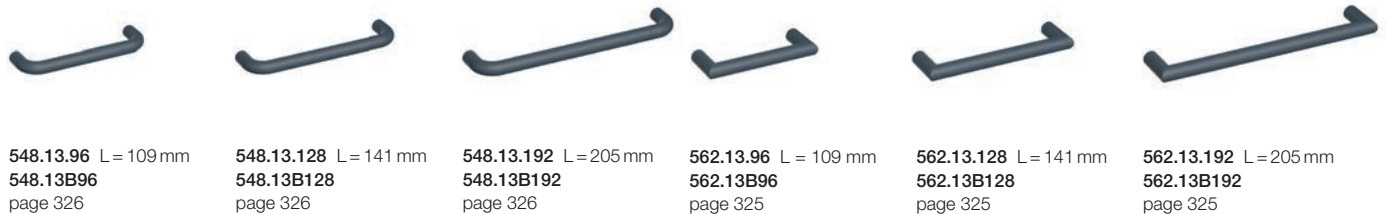
548RD50 L = 50 mm  
548RD50B  
page 323

562.10.64 L = 74 mm  
562.10B64  
page 324

562.10.96 L = 106 mm  
562.10B96  
page 324

562.10.128 L = 138 mm  
562.10B128  
page 324

FURNITURE HANDLES Ø 1/2" (13 MM)



548.13.96 L = 109 mm  
548.13B96  
page 326

548.13.128 L = 141 mm  
548.13B128  
page 326

548.13.192 L = 205 mm  
548.13B192  
page 326

562.13.96 L = 109 mm  
562.13B96  
page 325

562.13.128 L = 141 mm  
562.13B128  
page 325

562.13.192 L = 205 mm  
562.13B192  
page 325

FURNITURE HANDLES Ø 5/8" (16 MM)



548.16.192 L = 208 mm  
548.16B192  
page 327

548.16.288 L = 304 mm  
548.16B288  
page 327



548.17.64GKW L = 80 mm  
548.17B64GKW  
page 328

FURNITURE HANDLES, SUPPORTS Ø 5/8" (16 MM)



548.17.96 L = 112 mm  
548.17B96  
page 328



548.17.128 L = 144 mm  
548.17B128  
page 328

FURNITURE HANDLES Ø 13/16" (20 MM)



111G L = 135 mm  
111BG  
page 329

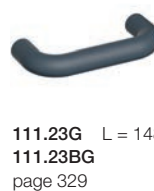
111.250G L = 270 mm  
111.250BG  
page 329

Ø 7/8" (22 MM)



552 L = 204 mm  
page 327

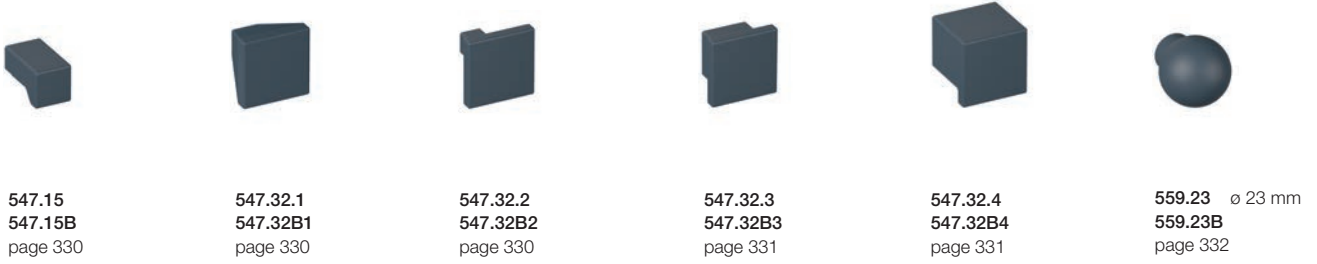
Ø 15/16" (24 MM)



111.23G L = 148 mm  
111.23BG  
page 329

- 18 (mustard yellow)
- 74 (apple green)
- 24 (orange)
- 72 (may green)
- 36 (coral)
- 55 (aqua blue)
- 33 (ruby red)
- 50 (steel blue)

**CUPBOARD KNOBS**



**CUPBOARD KNOBS**



**FLUSH PULLS**

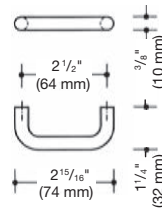


**FLUSH PULLS**



Item Number

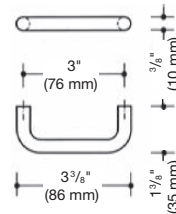
Dimensions / Specification



**548.74**  
**548.74B**

**HEWI Furniture handle  $\varnothing$  3/8" (10 mm)**

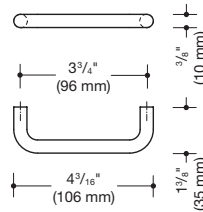
- centre to centre 2 1/2" (64 mm), 1 1/4" (32 mm) deep
- bolt through fixing
- made of high-quality polyamide in 16 HEWI colors
- made of high-quality matt polyamide in 16 HEWI colors



**548.86**  
**548.86B**

**HEWI Furniture handle  $\varnothing$  3/8" (10 mm)**

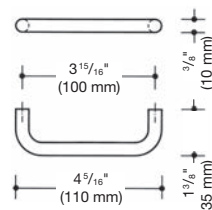
- centre to centre 3" (76 mm), 1 3/8" (35 mm) deep
- bolt through fixing
- made of high-quality polyamide in 16 HEWI colors
- made of high-quality matt polyamide in 16 HEWI colors



**548.106**  
**548.106B**

**HEWI Furniture handle  $\varnothing$  3/8" (10 mm)**

- centre to centre 3 3/4" (96 mm), 1 3/8" (35 mm) deep
- bolt through fixing
- made of high-quality polyamide in 16 HEWI colors
- made of high-quality matt polyamide in 16 HEWI colors



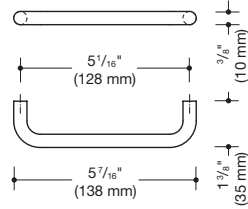
**548.110**  
**548.110B**

**HEWI Furniture handle  $\varnothing$  3/8" (10 mm)**

- centre to centre 3 15/16" (100 mm), 1 3/8" (35 mm) deep
- bolt through fixing
- made of high-quality polyamide in 16 HEWI colors
- made of high-quality matt polyamide in 16 HEWI colors

Item Number

Dimensions / Specification

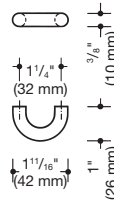


**HEWI Furniture handle ø 3/8" (10 mm)**

- centre to centre 5 1/16" (128 mm), 1 3/8" (35 mm) deep
- bolt through fixing

**548.138**  
**548.138B**

- made of high-quality polyamide in 16 HEWI colors
- made of high-quality matt polyamide in 16 HEWI colors

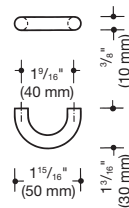


**HEWI Furniture handle ø 3/8" (10 mm)**

- centre to centre 1 1/4" (32 mm), 1" (26 mm) deep
- bolt through fixing

**548RD42**  
**548RD42B**

- made of high-quality polyamide in 16 HEWI colors
- made of high-quality matt polyamide in 16 HEWI colors



**HEWI Furniture handle ø 3/8" (10 mm)**

- centre to centre 1 9/16" (40 mm), 1 3/16" (30 mm) deep
- bolt through fixing

**548RD50**  
**548RD50B**

- made of high-quality polyamide in 16 HEWI colors
- made of high-quality matt polyamide in 16 HEWI colors



**HEWI Backplate**

- ø 5/8" (16 mm), available only in pairs
- rose fixing: height of furniture handles + 1/8" (2,4 mm)

**548.01**  
**548.01B**

- made of high-quality polyamide in 16 HEWI colors
- made of high-quality matt polyamide in 16 HEWI colors

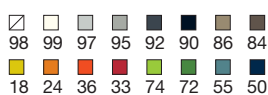
**HEWI Counter washer**

- do., height of furniture handles + 3/16" (3,5 mm)

**548.02**  
**548.02B**

- made of high-quality polyamide in 16 HEWI colors
- made of high-quality matt polyamide in 16 HEWI colors

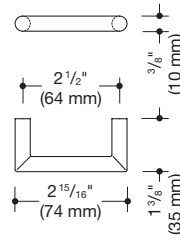
**16 HEWI colors**



# Cabinet hardware | Furniture handles $\varnothing$ 3/8" (10 mm)

Item Number

Dimensions in mm / Specification

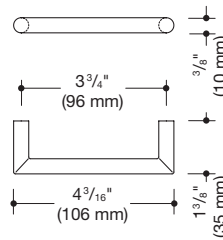


**562.10.64**  
**562.10B64**

## HEWI Furniture handle $\varnothing$ 3/8" (10 mm)

- centre to centre 2 1/2" (64 mm), 1 3/8" (35 mm) deep
- bolt through fixing

- made of high-quality polyamide in 16 HEWI colors
- made of high-quality matt polyamide in 16 HEWI colors

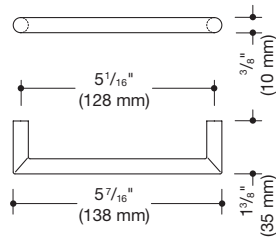


**562.10.96**  
**562.10B96**

## HEWI Furniture handle $\varnothing$ 3/8" (10 mm)

- centre to centre 3 3/4" (96 mm), 1 3/8" (35 mm) deep
- bolt through fixing

- made of high-quality polyamide in 16 HEWI colors
- made of high-quality matt polyamide in 16 HEWI colors



**562.10.128**  
**562.10B128**

## HEWI Furniture handle $\varnothing$ 3/8" (10 mm)

- centre to centre 5 1/16" (128 mm), 1 3/8" (35 mm) deep
- bolt through fixing

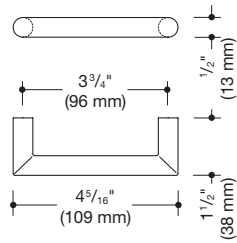
- made of high-quality polyamide in 16 HEWI colors
- made of high-quality matt polyamide in 16 HEWI colors

Item Number

Dimensions in mm / Specification



**562.13.96**  
**562.13B96**



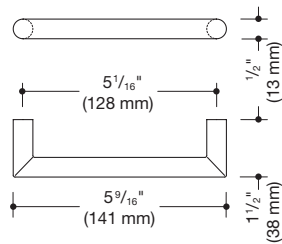
**HEWI Furniture handle ø 1/2" (13 mm)**

- centre to centre 3 3/4" (96 mm), 1 1/2" (38 mm) deep
- bolt through fixing

- made of high-quality polyamide in 16 HEWI colors
- made of high-quality matt polyamide in 16 HEWI colors



**562.13.128**  
**562.13B128**



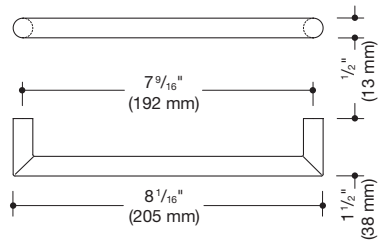
**HEWI Furniture handle ø 1/2" (13 mm)**

- centre to centre 5 1/16" (128 mm), 1 1/2" (38 mm) deep
- bolt through fixing

- made of high-quality polyamide in 16 HEWI colors
- made of high-quality matt polyamide in 16 HEWI colors



**562.13.192**  
**562.13B192**

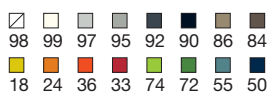


**HEWI Furniture handle ø 1/2" (13 mm)**

- centre to centre 7 9/16" (192 mm), 1 1/2" (38 mm) deep
- bolt through fixing

- made of high-quality polyamide in 16 HEWI colors
- made of high-quality matt polyamide in 16 HEWI colors

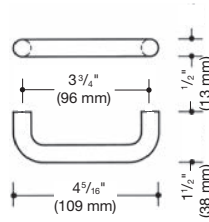
**16 HEWI colors**



# Cabinet hardware | Furniture handles $\varnothing$ 1/2" (13 mm)

Item Number

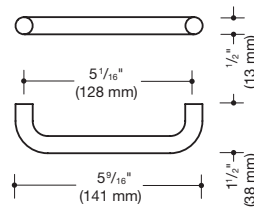
Dimensions in mm / Specification



**548.13.96**  
**548.13B96**

### HEWI Furniture handle $\varnothing$ 1/2" (13 mm)

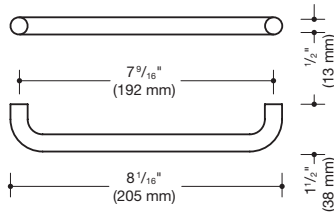
- centre to centre 3 3/4" (96 mm), 1 1/2" (38 mm) deep
- bolt through fixing
- made of high-quality polyamide in 16 HEWI colors
- made of high-quality matt polyamide in 16 HEWI colors



**548.13.128**  
**548.13B128**

### HEWI Furniture handle $\varnothing$ 1/2" (13 mm)

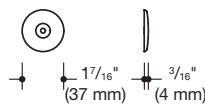
- centre to centre 5 1/16" (128 mm), 1 1/2" (38 mm) deep
- bolt through fixing
- made of high-quality polyamide in 16 HEWI colors
- made of high-quality matt polyamide in 16 HEWI colors



**548.13.192**  
**548.13B192**

### HEWI Furniture handle $\varnothing$ 1/2" (13 mm)

- centre to centre 7 9/16" (192 mm), 1 1/2" (38 mm) deep
- bolt through fixing
- made of high-quality polyamide in 16 HEWI colors
- made of high-quality matt polyamide in 16 HEWI colors



**548.13RS**  
**548.13BRS**

### HEWI Backplate

- for furniture handles  $\varnothing$  1/2" (13 mm), available only in pairs
- $\varnothing$  1 7/16" (37 mm)
- rose fixing: height of furniture handles + 1/16" (2,5 mm)
- made of high-quality polyamide in 16 HEWI colors
- made of high-quality matt polyamide in 16 HEWI colors

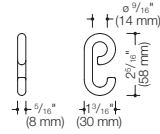


Item Number

Dimensions in mm / Specification



**548.13H**  
**548.13BH**

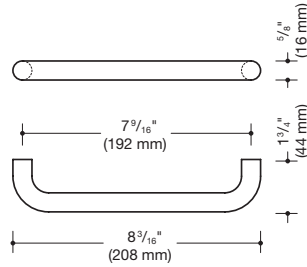


**HEWI Hook**

- for furniture handles 548.13....
- made of high-quality polyamide in 16 HEWI colors
- made of high-quality matt polyamide in 16 HEWI colors



**548.16.192**  
**548.16B192**

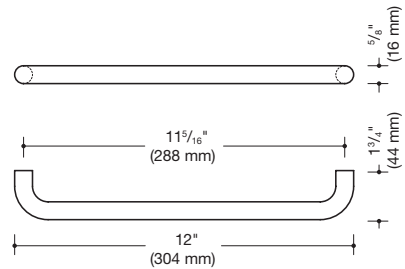


**HEWI Furniture handle  $\varnothing$  5/8" (16 mm)**

- centre to centre 7 9/16" (192 mm), 1 3/4" (44 mm) deep
- bolt through fixing
- made of high-quality polyamide in 16 HEWI colors
- made of high-quality matt polyamide in 16 HEWI colors



**548.16.288**  
**548.16B288**

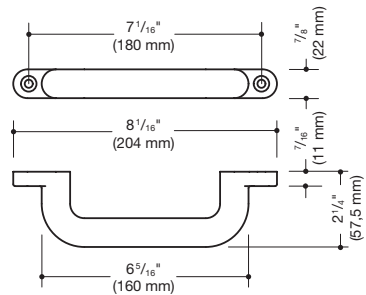


**HEWI Furniture handle  $\varnothing$  5/8" (16 mm)**

- centre to centre 11 5/16" (288 mm), 1 3/4" (44 mm) deep
- bolt through fixing
- made of high-quality polyamide in 16 HEWI colors
- made of high-quality matt polyamide in 16 HEWI colors



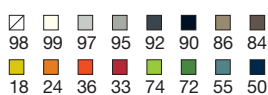
**552**



**HEWI Furniture handle  $\varnothing$  7/8" (22 mm)**

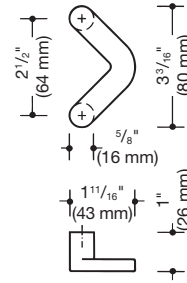
- made of high-quality polyamide in 16 HEWI colors
- $\varnothing$  7/8" (22 mm), centre to centre 7 1/16" (180 mm), 2 1/4" (57,5 mm) deep
- assembly by screwing from the front

**16 HEWI colors**



Item Number

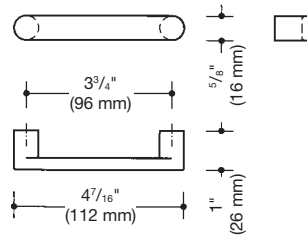
Dimensions in mm / Specification



**HEWI Furniture handle**

- supports  $\varnothing$  5/8" (16 mm), 1" (26 mm) deep
- centre to centre 2 1/2" (64 mm)
- bolt through fixing
- made of high-quality polyamide in 16 HEWI colors
- made of high-quality matt polyamide in 16 HEWI colors

**548.17.64GKW**  
**548.17B64GKW**

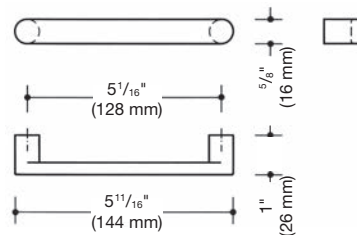


**HEWI Furniture handle**

- supports  $\varnothing$  5/8" (16 mm), 1" (26 mm) deep
- centre to centre 3 3/4" (96 mm)
- bolt through fixing
- made of high-quality polyamide in 16 HEWI colors
- made of high-quality matt polyamide in 16 HEWI colors
- bolt through fixing with screw cap
- made of high-quality polyamide in 16 HEWI colors
- made of high-quality matt polyamide in 16 HEWI colors

**548.17.96**  
**548.17B96**

**548.17.96.4**  
**548.17B96.4**



**HEWI Furniture handle**

- supports  $\varnothing$  5/8" (16 mm), 1" (26 mm) deep
- centre to centre 5 1/16" (128 mm)
- bolt through fixing
- made of high-quality polyamide in 16 HEWI colors
- made of high-quality matt polyamide in 16 HEWI colors
- bolt through fixing with screw cap
- made of high-quality polyamide in 16 HEWI colors
- made of high-quality matt polyamide in 16 HEWI colors

**548.17.128**  
**548.17B128**

**548.17.128.4**  
**548.17B128.4**

Item Number

Dimensions in mm / Specification

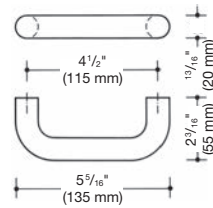


made of high-quality polyamide  
in 16 HEWI colors

**111G.1**  
**111G.21**  
**111G**  
**111G.4**  
**111G.6**  
**111G.7**

made of high-quality matt  
polyamide in 16 HEWI colors

**111BG.1**  
**111BG.21**  
**111BG**  
**111BG.4**  
**111BG.6**  
**111BG.7**



**HEWI Furniture handle  $\varnothing$  13/16" (20 mm)**

- centre to centre 4 1/2" (115 mm), 2 3/16" (65 mm) deep
- with rose fixing
- pair, with rose fixing
- bolt through fixing
- bolt through fixing with screw cap
- with concealed fixing front fixing
- pair, with concealed fixing

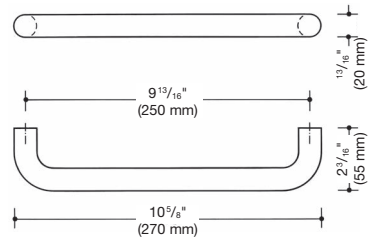


made of high-quality polyamide  
in 16 HEWI colors

**111.250G.1**  
**111.250G.21**  
**111.250G**  
**111.250G.4**  
**111.250G.6**  
**111.250G.7**

made of high-quality matt  
polyamide in 16 HEWI colors

**111.250BG.1**  
**111.250BG.21**  
**111.250BG**  
**111.250BG.4**  
**111.250BG.6**  
**111.250BG.7**



**HEWI Furniture handle  $\varnothing$  13/16" (20 mm)**

- centre to centre 9 13/16" (250 mm), 2 3/16" (65 mm) deep
- with rose fixing
- pair, with rose fixing
- bolt through fixing
- bolt through fixing with screw cap
- with concealed fixing front fixing
- pair, with concealed fixing

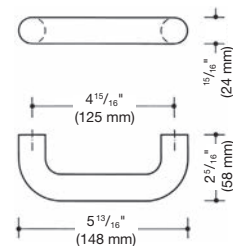


made of high-quality polyamide  
in 16 HEWI colors

**111.23G.1**  
**111.23G.21**  
**111.23G**  
**111.23G.4**  
**111.23G.6**  
**111.23G.7**

made of high-quality matt  
polyamide in 16 HEWI colors

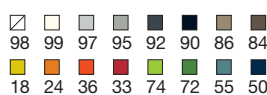
**111.23BG.1**  
**111.23BG.21**  
**111.23BG**  
**111.23BG.4**  
**111.23BG.6**  
**111.23BG.7**



**HEWI Furniture handle  $\varnothing$  15/16" (24 mm)**

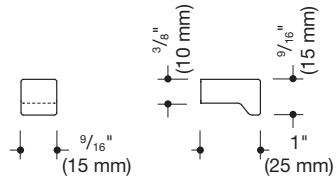
- centre to centre 4 15/16" (125 mm), 2 5/16" (68 mm) deep
- with rose fixing
- pair, with rose fixing
- bolt through fixing
- bolt through fixing with screw cap
- with concealed fixing front fixing
- pair, with concealed fixing

**16 HEWI colors**



Item Number

Dimensions in mm / Specification

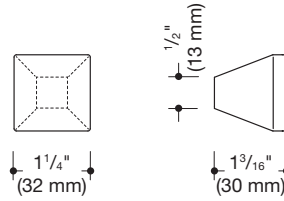


**547.15**  
**547.15B**

**HEWI Cupboard knob**

- 9/16" (15 mm) wide, 15 mm high, 1" (25 mm) deep
- bolt through fixing

- made of high-quality polyamide in 16 HEWI colors
- made of high-quality matt polyamide in 16 HEWI colors

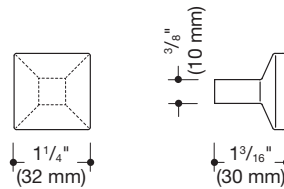


**547.32.1**  
**547.32B1**

**HEWI Cupboard knob**

- 1 1/4" (32 mm) wide, 1 1/4" (32 mm) high, 1 3/16" (30 mm) deep
- bolt through fixing

- made of high-quality polyamide in 16 HEWI colors
- made of high-quality matt polyamide in 16 HEWI colors



**547.32.2**  
**547.32B2**

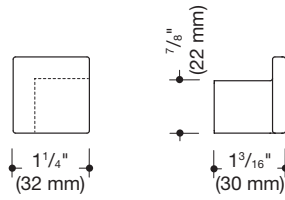
**HEWI Cupboard knob**

- 1 1/4" (32 mm) wide, 1 1/4" (32 mm) high, 1 3/16" (30 mm) deep
- bolt through fixing

- made of high-quality polyamide in 16 HEWI colors
- made of high-quality matt polyamide in 16 HEWI colors

Item Number

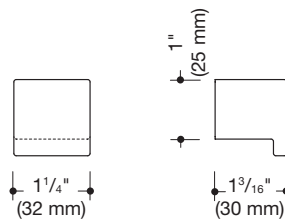
Dimensions in mm / Specification



**547.32.3**  
**547.32B3**

**HEWI Cupboard knob**

- 1 1/4" (32 mm) wide, 1 1/4" (32 mm) high, 1 3/16" (30 mm) deep
- bolt through fixing
- made of high-quality polyamide in 16 HEWI colors
- made of high-quality matt polyamide in 16 HEWI colors

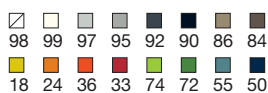


**547.32.4**  
**547.32B4**

**HEWI Cupboard knob**

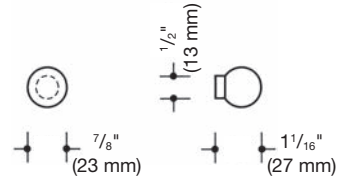
- 1 1/4" (32 mm) wide, 1 1/4" (32 mm) high, 1 3/16" (30 mm) deep
- bolt through fixing
- made of high-quality polyamide in 16 HEWI colors
- made of high-quality matt polyamide in 16 HEWI colors

**16 HEWI colors**



Item Number

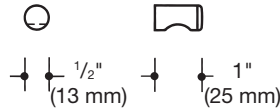
Dimensions in mm / Specification



559.23  
559.23B

**HEWI Cupboard knob**

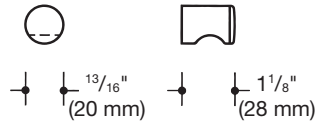
- $\varnothing$  7/8" (23 mm), neck  $\varnothing$  1/2" (13 mm), 1 1/16" (27 mm) deep
- bolt through fixing
- made of high-quality polyamide in 16 HEWI colors
- made of high-quality matt polyamide in 16 HEWI colors



557.13  
557.13B

**HEWI Cupboard knob**

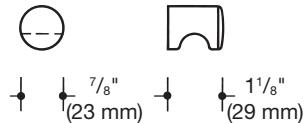
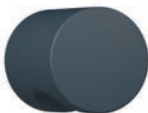
- $\varnothing$  1/2" (13 mm), 1" (25 mm) deep
- bolt through fixing
- made of high-quality polyamide in 16 HEWI colors
- made of high-quality matt polyamide in 16 HEWI colors



557.20  
557.20B

**HEWI Cupboard knob**

- $\varnothing$  13/16" (20 mm), 1 1/8" (28 mm) deep
- bolt through fixing
- made of high-quality polyamide in 16 HEWI colors
- made of high-quality matt polyamide in 16 HEWI colors



557.23  
557.23B

**HEWI Cupboard knob**

- $\varnothing$  7/8" (23 mm), 1 1/8" (29 mm) deep
- bolt through fixing
- made of high-quality polyamide in 16 HEWI colors
- made of high-quality matt polyamide in 16 HEWI colors

Item Number

Dimensions in mm / Specification



made of high-quality polyamide  
in 16 HEWI colors

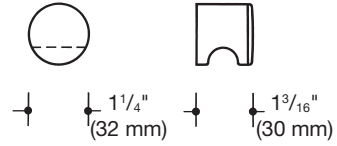
**557.32**  
**557.32.4**  
**557.32.6**  
**557.32.7**

**557.32K**

made of high-quality matt  
polyamide in 16 HEWI colors

**557.32B**  
**557.32B.4**  
**557.32B.6**  
**557.32B.7**

**557.32KB**



**HEWI Cupboard knob**

- $\varnothing$  1 1/4" (32 mm), 1 3/16" (30 mm) deep
- bolt through fixing
- bolt through fixing with screw cap
- for concealed front fixing
- pair, for concealed fixing

**HEWI Knob**

- for knob cylinders
- $\varnothing$  32 mm
- from the leading cylinder manufacturers
- please indicate manufacturer and cylinder type when ordering



made of high-quality polyamide  
in 16 HEWI colors

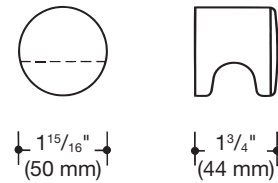
**557.50**  
**557.50.6**  
**557.50.7**

**557.50K**

made of high-quality matt  
polyamide in 16 HEWI colors

**557.50B**  
**557.50B.6**  
**557.50B.7**

**557.50KB**



**HEWI Cupboard knob**

- $\varnothing$  1 15/16" (50 mm), 1 3/4" (44 mm) deep
- bolt through fixing
- for concealed front fixing
- pair, for concealed fixing

**HEWI Knob**

- for knob cylinders
- $\varnothing$  50 mm
- available as square socket option 1/4" (7 mm) or 5/16" (8 mm) and  $\varnothing$  3/8" (10 mm) (in case of order, please indicate)



made of high-quality polyamide  
in 16 HEWI colors

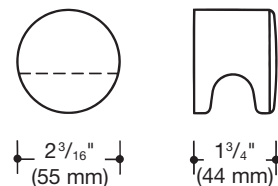
**557.55**  
**557.55.6**  
**557.55.7**

**557.55K**

made of high-quality matt  
polyamide in 16 HEWI colors

**557.55B**  
**557.55B.6**  
**557.55B.7**

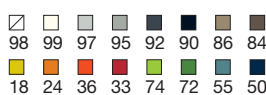
**557.55KB**



**HEWI Cupboard knob**

- $\varnothing$  2 3/16" (55 mm), 1 3/4" (44 mm) deep
- bolt through fixing
- for concealed front fixing
- pair, for concealed fixing

**16 HEWI colors**

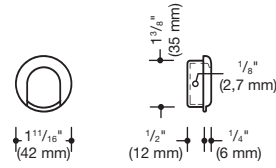


Item Number

Dimensions / Specification



**535.42ML**  
**535.42MLB**

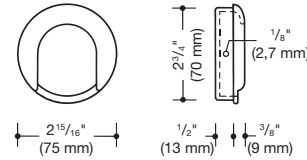


**HEWI Flush pull**

- recessed 1 3/8" (35 mm), recessed depth 1/2" (12 mm)
- made of high-quality polyamide in 16 HEWI colors
- made of high-quality matt polyamide in 16 HEWI colors



**535.75ML**  
**535.75MLB**

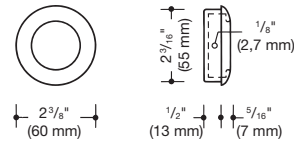


**HEWI Flush pull**

- recessed 2 3/4" (70 mm), recessed depth 1/2" (13 mm)
- made of high-quality polyamide in 16 HEWI colors
- made of high-quality matt polyamide in 16 HEWI colors



**538.60ML**  
**538.60MLB**

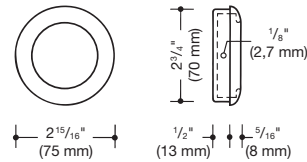


**HEWI Flush pull**

- recessed 2 3/16" (55 mm), recessed depth 1/2" (13 mm)
- made of high-quality polyamide in 16 HEWI colors
- made of high-quality matt polyamide in 16 HEWI colors



**538.75ML**  
**538.75MLB**

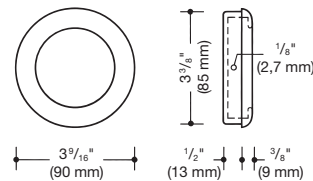


**HEWI Flush pull**

- recessed 2 3/4" (70 mm), recessed depth 1/2" (13 mm)
- made of high-quality polyamide in 16 HEWI colors
- made of high-quality matt polyamide in 16 HEWI colors



**538.90ML**  
**538.90MLB**



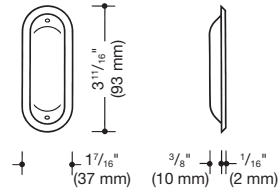
**HEWI Flush pull**

- recessed 3 3/8" (85 mm), recessed depth 1/2" (13 mm)
- made of high-quality polyamide in 16 HEWI colors
- made of high-quality matt polyamide in 16 HEWI colors



Item Number

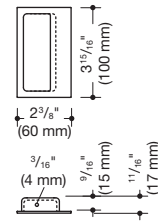
Dimensions / Specification



**HEWI Flush pull**

- recessed dimensions 3 1/4" x 1 3/16" (82 x 30 mm)
- recessed depth 3/8" (10 mm)
- made of high-quality polyamide in 16 HEWI colors
- made of high-quality matt polyamide in 16 HEWI colors

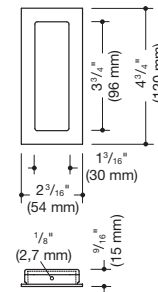
**542**  
**542B**



**HEWI Flush pull**

- recessed dimensions 3 11/16" x 1 5/8" (94 x 42 mm)
- recessed depth 9/16" (15 mm)
- made of high-quality polyamide in 16 HEWI colors
- made of high-quality matt polyamide in 16 HEWI colors

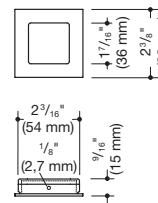
**539**  
**539B**



**HEWI Flush pull**

- recessed dimensions 4 1/2" x 1 7/8" (114,5 x 48,5 mm)
- recessed depth 1/2" (13 mm)
- made of high-quality polyamide in 16 HEWI colors
- made of high-quality matt polyamide in 16 HEWI colors

**544.54.120**  
**544.54B120**

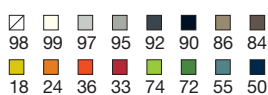


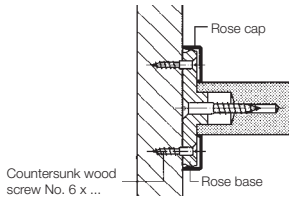
**HEWI Flush pull**

- recessed dimensions 2 3/16" x 2 3/16" (54,5 x 54,5 mm)
- recessed depth 1/2" (13 mm)
- made of high-quality polyamide in 16 HEWI colors
- made of high-quality matt polyamide in 16 HEWI colors

**544.60**  
**544.60B**

**16 HEWI colors**

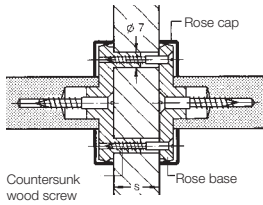




**BA20.1**  
**BA20.1B**  
**BA23.1**  
**BA23.1B**

**HEWI Fixing type 1**

- concealed front fixing with rose  $\varnothing$  2 1/16" (52 mm)
- rose fixing: height of furniture handles + 1/4" (6,7 mm)
- counter sunk screws not supplied
- for furniture handles  $\varnothing$  13/16" (20 mm), made of polyamide
- for furniture handles  $\varnothing$  13/16" (20 mm), made of matt polyamide
- for furniture handles  $\varnothing$  7/8" (23 mm), made of polyamide
- for furniture handles  $\varnothing$  7/8" (23 mm), made of matt polyamide



**BA20.21**  
**BA20.21B**  
**BA23.21**  
**BA23.21B**

**HEWI Fixing type 21**

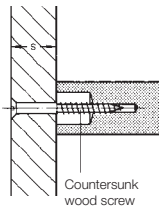
- fixing per pair with roses  $\varnothing$  2 1/16" (52 mm)
- rose fixing: height of furniture handles + 1/2" (13,4 mm)
- counter sunk screws not supplied

Please note:

screws  $\varnothing$  3/16" (3,5 mm) x (wall thickness + 3/8" (10 mm))

- for furniture handles  $\varnothing$  13/16" (20 mm), made of polyamide
- for furniture handles  $\varnothing$  13/16" (20 mm), made of matt polyamide
- for furniture handles  $\varnothing$  7/8" (23 mm), made of polyamide
- for furniture handles  $\varnothing$  7/8" (23 mm), made of matt polyamide

**Standard**

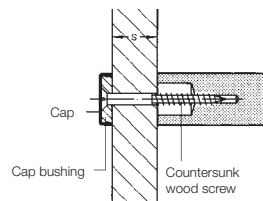


**HEWI Fixing type 3**

- bolt through fixing
- counter sunk screws not supplied

Please note:

- 111... : screws  $\varnothing$  3/16" (5 mm) x (wall thickness + 1 3/8" (30 mm))
- 547..., 548..., 557..., 562... : screws  $\varnothing$  3/16" (4 mm) x (wall thickness + 9/16" (15 mm))
- 559... : screws  $\varnothing$  3/16" (4 mm) x (wall thickness + 13/16" (20 mm))



**BA17.4**  
**BA17.4B**

**BA20.4**  
**BA20.4B**

**BA23.4**  
**BA23.4B**

**HEWI Fixing type 4**

- bolt through fixing with screw cap
- counter sunk screws not supplied

Please note:

- 111... : screws  $\varnothing$  3/16" (5 mm) x (wall thickness + 1 3/8" (35 mm))
- 548... : screws  $\varnothing$  3/16" (4 mm) x (wall thickness + 13/16" (20 mm))
- 557... : screws  $\varnothing$  3/16" (4 mm) x (wall thickness + 13/16" (20 mm))

- screw cap  $\varnothing$  5/8" x 3/16" (16 x 4,7 mm), made of polyamide
- screw cap  $\varnothing$  5/8" x 3/16" (16 x 4,7 mm), made of matt polyamide
- e.g. for furniture handles 548... screws  $\varnothing$  3/16" (4 mm) x (wall thickness + 13/16" (20 mm))
- screw cap  $\varnothing$  13/16" x 3/16" (20 x 5 mm), made of polyamide
- screw cap  $\varnothing$  13/16" x 3/16" (20 x 5 mm), made of matt polyamide
- e.g. for furniture handles 111... screws  $\varnothing$  3/16" (5 mm) x (wall thickness + 1 3/8" (35 mm))
- screw cap  $\varnothing$  7/8" x 1/4" (23,5 x 5,6 mm), made of polyamide
- screw cap  $\varnothing$  7/8" x 1/4" (23,5 x 5,6 mm), made of matt polyamide
- e.g. for furniture handles 111.23... screws  $\varnothing$  3/16" (5 mm) x (wall thickness + 1 3/8" (35 mm))

Item Number

Dimensions in mm / Specification

**...6**

**HEWI Fixing type 6**

- concealed front fixing
- counter sunk screws not supplied

**...7**

**HEWI Fixing type 7**

- fixing per pair on wood
- counter sunk screws not supplied

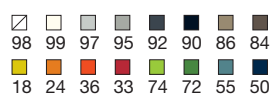
Please note:

111... : screws  $\varnothing$  3/16" (5 mm) x (wall thickness + 1 9/16" (40 mm))

548... : screws  $\varnothing$  3/16" (4 mm) x (wall thickness + 1" (25 mm))

557... : screws  $\varnothing$  3/16" (4 mm) x (wall thickness + 1" (25 mm))

**16 HEWI colors**





# General information

## HEWI HOTLINE

Monday – Friday 8:30 a.m. to 5 p.m. EST  
(917) 734-4112  
hewi@hewi.us

## INDEX

Numerical index	340 – 367
Product characteristics, certifications	368
Material characteristics, care tips	369
International terms of sale	370 – 371



Item Number	Name	Page
<b>System 100</b>		
100.02.11145	Soap dish with holder	259
100.03.10045	Shelf	259
100.04.12145	Glass tumbler with holder	258
100.06.11045	Soap or disinfectant dispenser with holder	258
100.20.01040	Toilet brush	50
100.21.10040	Toilet roll holder	261
100.30.10040	Bath towel shelf	262
100.36.10040	Support rail	261
100.36.11040	Support rail	261
100.36.12040	Support rail	261
100.90.01040	Hook	260
100.90.02040	Hook	260
100.90.03040	Double hook	260
<b>Furniture handles</b>		
111.23BG	Furniture handle ø 23 mm	329
111.23BG.1	Furniture handle ø 23 mm	329
111.23BG.21	Furniture handle ø 23 mm	329
111.23BG.4	Furniture handle ø 23 mm	329
111.23BG.6	Furniture handle ø 23 mm	329
111.23BG.7	Furniture handle ø 23 mm	329
111.23G	Furniture handle ø 23 mm	329
111.23G.1	Furniture handle ø 23 mm	329
111.23G.21	Furniture handle ø 23 mm	329
111.23G.4	Furniture handle ø 23 mm	329
111.23G.6	Furniture handle ø 23 mm	329
111.23G.7	Furniture handle ø 23 mm	329
111.250BG	Furniture handle ø 20 mm	329
111.250BG.1	Furniture handle ø 20 mm	329
111.250BG.21	Furniture handle ø 20 mm	329
111.250BG.4	Furniture handle ø 20 mm	329
111.250BG.6	Furniture handle ø 20 mm	329
111.250BG.7	Furniture handle ø 20 mm	329
111.250G	Furniture handle ø 20 mm	329
111.250G.1	Furniture handle ø 20 mm	329
111.250G.21	Furniture handle ø 20 mm	329
111.250G.4	Furniture handle ø 20 mm	329
111.250G.6	Furniture handle ø 20 mm	329
111.250G.7	Furniture handle ø 20 mm	329
111BG	Furniture handle ø 20 mm	329
111BG.1	Furniture handle ø 20 mm	329
111BG.21	Furniture handle ø 20 mm	329
111BG.4	Furniture handle ø 20 mm	329
111BG.6	Furniture handle ø 20 mm	329
111BG.7	Furniture handle ø 20 mm	329
111G	Furniture handle ø 20 mm	329
111G.1	Furniture handle ø 20 mm	329
111G.21	Furniture handle ø 20 mm	329
111G.4	Furniture handle ø 20 mm	329
111G.6	Furniture handle ø 20 mm	329
111G.7	Furniture handle ø 20 mm	329
<b>System 162</b>		
162.03.110540	Shelf	42
162.03.1105XA	Shelf	42
162.03.11560	Shelf	42
162.03.20040	Shower shelf	55
162.03.20060	Shower shelf	55
162.04.11040	Tumbler with holder	30
162.04.11060	Tumbler with holder	30
162.04.110XA	Tumbler with holder	30
162.09.10040	Towel rail	43
162.09.10060	Towel rail	43
162.09.100XA	Towel rail	43

Item Number	Name	Page
162.21.30040	Spare roll holder	48
162.21.30060	Spare roll holder	48
162.21.300XA	Spare roll holder	48
162.30.11040	Bath towel shelf	54
162.30.20040	Towel rail	53
162.30.20060	Towel rail	53
162.30.200XA	Bath towel rail	53
162.90.01040	Hook	45
162.90.01060	Hook	45
162.90.010XA	Hook	45
162.90.03040	Double hook	45
162.90.03060	Double hook	45
162.90.030XA	Double hook	45

**Range 477**

477.00.100	Holder	138, 195
477.00B100	Holder	138, 195
477.01.010	Plate glass mirror	281
477.01.100	Mirror clip	151, 281
477.01B100	Mirror clip	151, 281
477.02.100	Soap dish	138, 195
477.02.200	Soap dish	139, 196
477.02B100	Soap dish	138, 195
477.02B200	Soap dish	139, 196
477.03.100	Shelf	151, 203
477.03B100	Shelf	151, 203
477.03.100	Shelf	151, 203
477.03.300	Storage dish	151
477.03B100	Shelf	151, 203
477.03B300	Storage dish	151
477.04.020	Tumbler with flat bottom	138, 195
477.04.02005	Tumbler with flat bottom	195
477.04B020	Tumbler with flat bottom	138, 195
477.05.10198	Hygiene waste bin	New 215
477.05.10199	Hygiene waste bin	New 164, 215
477.05.10298	Hygiene combination	New 215
477.05.10299	Hygiene combination	New 164, 215
477.05.20012	Paper towel basket	202
477.05.20198	Waste paper bin	New 201
477.05.20199	Waste paper bin	New 144, 201
477.05.20298	Waste paper bin	New 201
477.05.20299	Waste paper bin	New 144, 201
477.05.20398	Waste bin	New 200
477.05.20399	Waste bin	New 145, 200
477.05.20498	Hygiene waste bin	New 214
477.05.20499	Hygiene waste bin	New 163, 214
477.05.20598	Hygiene combination	New 214
477.05.20599	Hygiene combination	New 163, 214
477.05.300	Waste bin	151, 216
477.05B10198	Hygiene waste bin	New 215
477.05B10199	Hygiene waste bin	New 164, 215
477.05B10298	Hygiene combination	New 215
477.05B10299	Hygiene combination	New 164, 215
477.05B20012	Paper towel basket	202
477.05B20198	Waste paper bin	New 201
477.05B20199	Waste paper bin	New 144, 201
477.05B20298	Waste paper bin	New 144
477.05B20299	Waste paper bin	New 144, 201
477.05B20398	Waste bin	New 200
477.05B20399	Waste bin	New 145, 200
477.05B20498	Hygiene waste bin	New 214
477.05B20499	Hygiene waste bin	New 163, 214
477.05B20598	Hygiene combination	New 214
477.05B20599	Hygiene combination	New 163, 214
477.05B300	Waste bin	151, 216

## General information | Numerical index

Item Number	Name		Page
477.06.10005	Soap dispenser		196
477.06.10198	Soap dispenser	New	198
477.06.10199	Soap dispenser	New	143, 198
477.06.10298	SENSORIC Liquid soap dispenser	New	199
477.06.10299	SENSORIC Liquid soap dispenser	New	142, 199
477.06.10398	SENSORIC Liquid soap dispenser	New	199
477.06.10399	SENSORIC Foam soap dispenser	New	142, 199
477.06.10498	SENSORIC Liquid soap dispenser	New	199
477.06.10499	SENSORIC Disinfectant dispenser	New	142, 199
477.06.10598	Disinfectant/soap dispenser	New	197
477.06.10599	Disinfectant/soap dispenser	New	141, 197
477.06.11005	Soap dispenser	New	140
477.06.11015	Soap dispenser	New	140
477.06.11025	Soap dispenser	New	140
477.06.11035	Soap dispenser	New	140
477.06.60005	Paper towel dispenser		202
477.06.60198	Paper towel dispenser	New	200
477.06.60199	Paper towel dispenser	New	143, 200
477.06.750	Hygiene bag dispenser		161, 216
477.06B10005	Soap dispenser		196
477.06B10198	Soap dispenser	New	198
477.06B10199	Soap dispenser	New	143, 198
477.06B10298	SENSORIC Liquid soap dispenser	New	199
477.06B10299	SENSORIC Liquid soap dispenser	New	142, 199
477.06B10398	SENSORIC Liquid soap dispenser	New	199
477.06B10399	SENSORIC Foam soap dispenser	New	142, 199
477.06B10498	SENSORIC Liquid soap dispenser	New	199
477.06B10499	SENSORIC Disinfectant dispenser	New	142, 199
477.06B10598	Disinfectant/soap dispenser	New	197
477.06B10599	Disinfectant/soap dispenser	New	141, 197
477.06B11005	Soap dispenser	New	140
477.06B11015	Soap dispenser	New	140
477.06B11025	Soap dispenser	New	140
477.06B11035	Soap dispenser	New	140
477.06B60005	Paper towel dispenser		202
477.06B60198	Paper towel dispenser		143, 200
477.06B60199	Paper towel dispenser		143, 200
477.06B750	Hygiene bag dispenser		161, 216
477.09.100	Towel rail		203
477.09.200	Towel rail		203
477.09.300	Towel ring		204
477.09B100	Towel rail		203
477.09B200	Towel rail		203
477.09B300	Towel ring		204
477.20.010	Toilet brush		210
477.20.100	Toilet brush unit		210
477.20.101	Toilet brush unit	New	160
477.20.102	Toilet brush unit	New	160
477.20.103	Toilet brush unit	New	160
477.20B010	Toilet brush		210
477.20B100	Toilet brush unit		210
477.20B101	Toilet brush unit	New	160
477.20B102	Toilet brush unit	New	160
477.20B103	Toilet brush unit	New	160
477.21.100	Toilet roll holder		162, 212
477.21.150	Toilet roll holder		212
477.21B100	Toilet roll holder		162, 212
477.21B150	Toilet roll holder		212
477.21.60098	Large toilet roll holder	New	213
477.21.60099	Large toilet roll holder	New	162, 213
477.21B60098	Large toilet roll holder	New	213
477.21B60099	Large toilet roll holder	New	162, 213
477.30.100	Bath towel rail		153, 218
477.30.200	Bath towel rail		153, 218



Item Number	Name		Page
477.30.300	Bath towel rail		153, 219
477.30.310	Bath towel rail		219
477.30.320	Bath towel rail		219
477.30.330	Bath towel rail		219
477.30B100	Bath towel rail		153, 218
477.30B110	Bath towel rail		218
477.30B200	Bath towel rail		153, 218
477.30B210	Bath towel rail		218
477.30B300	Bath towel rail		153, 219
477.30B310	Bath towel rail		219
477.30B320	Bath towel rail		219
477.30B330	Bath towel rail		219
477.30US110	Bath towel rail		218
477.30US210	Bath towel rail		218
477.31.100	Grab bar		153, 219
477.31B100	Grab bar		153, 219
477.31BUS110	Grab bar		219
477.31US110	Grab bar		219
477.32.100	Corner shelf		220
477.32B100	Corner shelf		220
477.33.103	Grab bar with shower head holder	New	172
477.33.104	Grab bar with shower head holder	New	172
477.33B103	Grab bar with shower head holder	New	172
477.33B104	Grab bar with shower head holder	New	172
477.90.010	Hook		206
477.90.015	Coat hook		206
477.90.025	Double hook		207
477.90.030	Hook		206
477.90.035	Coat hook with buffer door stop		207
477.90.040	Coat hook		185, 206
477.90.045	Coat hook		206
477.90.050	Triple hook		156, 206
477.90.051	Triple hook		206
477.90.052	Triple hook		206
477.90.054	Triple hook	New	185
477.90B010	Hook		206
477.90B015	Coat hook		206
477.90B025	Double hook		207
477.90B030	Hook		206
477.90B035	Coat hook with buffer door stop		207
477.90B040	Coat hook		185, 206
477.90B045	Coat hook		206
477.90B050	Triple hook		156, 206
477.90B051	Triple hook		206
477.90B052	Triple hook		206
477.90B054	Triple hook	New	185
477.93.010	Single hook	New	205
477.93.020	Double hook	New	205
477.93.030	Triple hook	New	205
477.94B010	Single hook	New	205
477.94B020	Double hook	New	205
477.94B030	Triple hook	New	205
477.99.001	Single hook set	New	154
477.99.002	Single hook set	New	154
477.99.003	Single hook set	New	154
477.99B001	Single hook set	New	154
477.99B002	Single hook set	New	154
477.99B003	Single hook set	New	154
477.99.004	Double hook set	New	155
477.99.005	Double hook set	New	155
477.99.006	Double hook set	New	155
477.99B004	Double hook set	New	155
477.99B005	Double hook set	New	155
477.99B006	Double hook set	New	155

Item Number	Name	Page
<b>Cabinet hardware</b>		
535.42ML	Flush pull	334
535.42MLB	Flush pull	334
535.75ML	Flush pull	334
535.75MLB	Flush pull	334
538.60ML	Flush pull	334
538.60MLB	Flush pull	334
538.75ML	Flush pull	334
538.75MLB	Flush pull	334
538.90ML	Flush pull	334
538.90MLB	Flush pull	334
539B	Flush pull	335
539	Flush pull	335
542	Flush pull	335
542B	Flush pull	335
544.54.120	Flush pull	335
544.54B120	Flush pull	335
544.60	Flush pull	335
544.60B	Flush pull	335
547.15	Cupboard knob	330
547.15B	Cupboard knob	330
547.32.1	Cupboard knob	330
547.32.2	Cupboard knob	331
547.32.3	Cupboard knob	331
547.32.4	Cupboard knob	330
547.32B1	Cupboard knob	330
547.32B2	Cupboard knob	330
547.32B3	Cupboard knob	331
547.32B4	Cupboard knob	331
548.01	Backplate	323
548.01B	Backplate	323
548.02	Counter washer	323
548.02B	Counter washer	323
548.106	Furniture handle ø 10 mm	322
548.110	Furniture handle ø 10 mm	322
548.138	Furniture handle ø 10 mm	323
548.106B	Furniture handle ø 10 mm	322
548.110B	Furniture handle ø 10 mm	322
548.138B	Furniture handle ø 10 mm	323
548.13.96	Furniture handle ø 13 mm	326
548.13.128	Furniture handle ø 13 mm	326
548.13.192	Furniture handle ø 13 mm	326
548.13B96	Furniture handle ø 13 mm	326
548.13B128	Furniture handle ø 13 mm	326
548.13B192	Furniture handle ø 13 mm	326
548.13BH	Hook	327
548.13BRS	Backplate	326
548.13H	Hook	327
548.13RS	Backplate	326
548.16.192	Furniture handle ø 16 mm	327
548.16.288	Furniture handle ø 16 mm	327
548.16B192	Furniture handle ø 16 mm	327
548.16B288	Furniture handle ø 16 mm	327
548.17.64GKW	Furniture handle	328
548.17.96	Furniture handle	328
548.17.96.4	Furniture handle	328
548.17.128	Furniture handle	328
548.17.128.4	Furniture handle	328
548.17B64GKW	Furniture handle	328
548.17B96	Furniture handle	328
548.17B96.4	Furniture handle	328
548.17B128	Furniture handle	328
548.17B128.4	Furniture handle	328
548.74	Furniture handle ø 10 mm	322

Item Number	Name		Page
548.74B	Furniture handle ø 10 mm		322
548.86	Furniture handle ø 10 mm		322
548.86B	Furniture handle ø 10 mm		322
548RD42	Furniture handle		323
548RD42B	Furniture handle		323
548RD50	Furniture handle		323
548RD50B	Furniture handle		323
550.23T.41	Pull handle	New	183
550.23BT.41	Pull handle	New	183
552	Furniture handle		327
557.13	Cupboard knob		332
557.13B	Cupboard knob		332
557.20	Cupboard knob		332
557.20B	Cupboard knob		332
557.23	Cupboard knob		332
557.23B	Cupboard knob		332
557.32	Cupboard knob		333
557.32.4	Cupboard knob		333
557.32.6	Cupboard knob		333
557.32.7	Cupboard knob		333
557.32B	Cupboard knob		333
557.32B.4	Cupboard knob		333
557.32B.6	Cupboard knob		333
557.32B.7	Cupboard knob		333
557.32K	Knob		333
557.32KB	Knob		333
557.50	Cupboard knob		333
557.50.6	Cupboard knob		333
557.50.7	Cupboard knob		333
557.50B	Cupboard knob		333
557.50B.6	Cupboard knob		333
557.50B.7	Cupboard knob		333
557.50K	Knob		333
557.50KB	Knob		333
557.55	Cupboard knob		333
557.55.6	Cupboard knob		333
557.55.7	Cupboard knob		333
557.55B	Cupboard knob		333
557.55B.6	Cupboard knob		333
557.55B.7	Cupboard knob		333
559.23	Cupboard knob		332
559.23B	Cupboard knob		332
562.10.128	Furniture handle ø 10 mm		324
562.10.64	Furniture handle ø 10 mm		324
562.10.96	Furniture handle ø 10 mm		324
562.10B64	Furniture handle ø 10 mm		324
562.10B96	Furniture handle ø 10 mm		324
562.10B128	Furniture handle ø 10 mm		324
562.13.96	Furniture handle ø 13 mm		325
562.13.128	Furniture handle ø 13 mm		325
562.13.192	Furniture handle ø 13 mm		325
562.13B96	Furniture handle ø 13 mm		325
562.13B128	Furniture handle ø 13 mm		325
562.13B192	Furniture handle ø 13 mm		325
<b>Coat hangers</b>			
570.1	Coat hanger		317
570.1B	Coat hanger		317
570.2	Coat hanger		317
570.3	Coat hanger		317
570.3B	Coat hanger		317
570.4	Coat hanger		317
571.3	Coat/trouser hanger with swivel feature		317
571.4	Coat/trouser hanger with swivel feature		317
570.99.001	Coat hanger set	New	182, 317

## General information | Numerical index

Item Number	Name		Page
570.99.002	Coat hanger set	New	182, 317
570.99.003	Coat hanger set	New	182
570.99.004	Coat hanger set	New	182
570.99.005	Coat hanger set	New	182
570.99B003	Coat hanger set	New	182
570.99B004	Coat hanger set	New	182
570.99B005	Coat hanger set	New	182
<b>System 800</b>			
800.01.10060	Adjustable mirror		284
800.02.010	Soap dish		272
800.02.11041	Soap dish with holder		272
800.02.11045	Soap dish with holder		272
800.02.11060	Soap dish with holder	New	272
800.02.11065	Soap dish with holder	New	272
800.03.010	Insert		275, 315
800.03.10041	Shelf		273
800.03.10045	Shelf		273
800.03.10060	Shelf	New	273
800.03.10065	Shelf	New	273
800.03.20041	Utility dish		272
800.03.20060	Utility dish	New	272
800.03.30041	Shower basket		275
800.03.30060	Shower basket	New	275
800.03.400	Tumbler rack with hooks, 4 places	New	148
800.03.401	Tumbler rack, 4 places	New	149
800.03.402	Tumbler rack with triple hooks, 4 places	New	150
800.03.403	Shelf with hooks, 4 places	New	146
800.03.404	Shelf with triple hooks, 4 places	New	147
800.03.410	Extension set tumbler rack with hooks, 4 places	New	148
800.03.411	Extension set tumbler rack, 4 places	New	149
800.03.412	Extension set tumbler rack with triple hooks, 4 places	New	150
800.03.413	Extension set shelf with hooks, 4 places	New	146
800.03.414	Extension set shelf with triple hooks, 4 places	New	147
800.03B010	Insert		275, 315
800.03B400	Tumbler rack with hooks, 4 places	New	148
800.03B401	Tumbler rack, 4 places	New	149
800.03B402	Tumbler rack with triple hooks, 4 places	New	150
800.03B403	Shelf with hooks, 4 places	New	146
800.03B404	Shelf with triple hooks, 4 places	New	147
800.03B410	Extension set tumbler rack with hooks, 4 places	New	148
800.03B411	Extension set tumbler rack, 4 places	New	149
800.03B412	Extension set tumbler rack with hooks	New	150
800.03B413	Extension set shelf with hooks, 4 places	New	146
800.03B414	Extension set shelf with triple hooks, 4 places	New	147
800.04.010	Tumbler with flat bottom	114, 315, 268	58.40
800.04.11041	Tumbler with holder		268
800.04.11045	Glass tumbler with holder		268
800.04.11060	Tumbler with holder	New	268
800.04.11065	Glass tumbler with holder	New	268
800.04B010	Tumbler with flat bottom	114, 315, 268	63.20
800.06.010	Soap dispenser		315
800.06.11041	Soap or disinfectant dispenser with holder		269
800.06.11045	Soap or disinfectant dispenser with holder		269
800.06.11060	Soap or disinfectant dispenser with holder		269
800.06.11065	Soap or disinfectant dispenser with holder		269
800.06B010	Soap dispenser		315
800.21.11040	Toilet roll holder		274
800.21.11260	Toilet roll holder	New	274
800.36.10040	Support rail		275
800.36.10260	Support rail	New	275
800.36.11040	Support rail		275
800.36.11260	Support rail	New	275
800.90.01040	Hook		274

Item Number	Name		Page
800.90.01260	Hook	New	274
800.90.02040	Hook		274
800.90.02260	Hook	New	274
800.90.06040	Double hook		274
800.90.06260	Double hook	New	274
<b>Range 801</b>			
801.01.100	Adjustable mirror		152, 284
801.01.400	Adjustable mirror	New	152, 284
801.01B100	Adjustable mirror		152, 284
801.01B400	Adjustable mirror	New	152, 284
801.20.010	Toilet brush		211
801.20.100	Toilet brush unit		211
801.20B010	Toilet brush		211
801.20B100	Toilet brush unit		211
801.21.401	Spare roll holder		212
801.21.402	Spare roll holder		212
801.21.403	Spare roll holder		212
801.21B401	Spare roll holder		212
801.21B402	Spare roll holder		212
801.21B403	Spare roll holder		212
801.22.200	L-shaped support rail		243
801.22B200	L-shaped support rail		243
801.22BUS100	L-shaped grab bar		242
801.22BUS110	L-shaped grab bar		242
801.22US100	L-shaped grab bar		242
801.22US110	L-shaped grab bar		242
801.33.1000	Grab bar with shower head holder	New	173
801.33.1001	Grab bar with shower head holder	New	173
801.33.1100	Grab bar with shower head holder	New	173
801.33.1101	Grab bar with shower head holder	New	173
801.33.1102	Grab bar with shower head holder	New	173
801.33.1103	Grab bar with shower head holder	New	173
801.33B1000	Grab bar with shower head holder	New	173
801.33B1001	Grab bar with shower head holder	New	173
801.33B1100	Grab bar with shower head holder	New	173
801.33B1101	Grab bar with shower head holder	New	173
801.33B1102	Grab bar with shower head holder	New	173
801.33B1103	Grab bar with shower head holder	New	173
801.33.2100	L-shaped grab bar with shower head holder	New	174
801.33.2101	L-shaped grab bar with shower head holder	New	174
801.33.2160	L-shaped grab bar with shower head holder	New	174
801.33.2161	L-shaped grab bar with shower head holder	New	174
801.33B2100	L-shaped grab bar with shower head holder	New	174
801.33B2101	L-shaped grab bar with shower head holder	New	174
801.33B2160	L-shaped grab bar with shower head holder	New	174
801.33B2161	L-shaped grab bar with shower head holder	New	174
801.33BUS100	Grab bar with shower head holder		246
801.33BUS200	L-shaped grab bar with shower head holder		247
801.33US100	Grab bar with shower head holder		246
801.33US200	L-shaped grab bar with shower head holder		247
801.34.4S	Shower curtain rail		222
801.34B4S	Shower curtain rail, special length		222
801.34BUS020	Ceiling support		222
801.34BUS110	Shower curtain rail		221
801.34US020	Ceiling support		222
801.34US100	Shower curtain rail		221
801.34US110	Shower curtain rail		221
801.34US400	Shower curtain rail		222
801.34US410	Shower curtain rail		222
801.34US420	Shower curtain rail		222
801.34US430	Shower curtain rail		222
801.35.3100	Shower grab bar with vertical adjustable support bar and shower head holder		176
801.35.3101	Shower grab bar with vertical adjustable support bar and shower head holder		176
801.35.3160	Shower grab bar with vertical adjustable support bar and shower head holder		176

## General information | Numerical index

Item Number	Name		Page
801.35.3161	Shower grab bar with vertical adjustable support bar and shower head holder		176
801.35.3200	Shower grab bar with vertical adjustable support bar and shower head holder		176
801.35.3201	Shower grab bar with vertical adjustable support bar and shower head holder		176
801.35B3100	Shower grab bar with vertical adjustable support bar and shower head holder		177
801.35B3101	Shower grab bar with vertical adjustable support bar and shower head holder		177
801.35B3160	Shower grab bar with vertical adjustable support bar and shower head holder		177
801.35B3161	Shower grab bar with vertical adjustable support bar and shower head holder		177
801.35B3200	Shower grab bar with vertical adjustable support bar and shower head holder		177
801.35B3201	Shower grab bar with vertical adjustable support bar and shower head holder		177
801.35BUS100	Shower grab bar		243
801.35BUS110	Shower grab bar		244
801.35BUS120	Shower grab bar		244
801.35BUS200	Shower grab bar		245
801.35BUS220	Shower grab bar		248
801.35BUS310	Rail with sideways adjustable vertical support bar and shower head holder		249
801.35US100	Shower grab bar		243
801.35US110	Shower grab bar		244
801.35US120	Shower grab bar		244
801.35US200	Shower grab bar		245
801.35US220	Shower grab bar		248
801.35US310	Rail with sideways adjustable vertical support bar and shower head holder		249
801.36BUS100	Grab bar		239
801.36BUS110	Grab bar		239
801.36BUS120	Grab bar		239
801.36BUS130	Grab bar		239
801.36BUS140	Grab bar		239
801.36BUS150	Grab bar		239
801.36BUS160	Grab bar		239
801.36BUS200	Grab bar		240
801.36BUS210	Grab bar		240
801.36BUS220	Grab bar		240
801.36BUS300	Grab bar		241
801.36BUS310	Grab bar		241
801.36BUS320	Grab bar		241
801.36US100	Grab bar		239
801.36US110	Grab bar		239
801.36US120	Grab bar		239
801.36US1250	Grab bar		239
801.36US130	Grab bar		239
801.36US140	Grab bar		239
801.36US150	Grab bar		239
801.36US1550	Grab bar		239
801.36US160	Grab bar		239
801.36US1650	Grab bar		239
801.36US200	Grab bar		240
801.36US210	Grab bar		240
801.36US220	Grab bar		240
801.36US300	Grab bar		241
801.36US310	Grab bar		241
801.36US320	Grab bar		241
801.50.011	Upgrade kit toilet roll holder	New	169
801.50.060	Upgrade kit WC-toilet flushing solution (radio)	New	169
801.50.100	Swing-up grab bar, rotatable		232
801.50.1000	Hinged support rail, rotatable	New	167
801.50.1001	Hinged support rail, rotatable	New	167
801.50.1002	Hinged support rail, rotatable	New	167
801.50.107	Mobile swing-up grab bar, rotatable		233
801.50.110	Swing-up grab bar, rotatable		232
801.50.1100	Hinged support rail, rotatable	New	167
801.50.117	Mobile swing-up grab bar, rotatable		233
801.50.120	Swing-up grab bar, rotatable		232
801.50.1200	Hinged support rail, rotatable	New	167
801.50.127	Mobile swing-up grab bar, rotatable		233
801.50.130	Swing-up grab bar, rotatable		232

Item Number	Name		Page
801.50.137	Mobile swing-up grab bar, rotatable		233
801.50.140	Swing-up grab bar, rotatable		232
801.50.147	Mobile swing-up grab bar, rotatable		233
801.50.200	Swing-up grab bar		234
801.50.2000	Hinged support rail	New	168
801.50.2001	Hinged support rail	New	168
801.50.2002	Hinged support rail	New	168
801.50.207	Mobile swing-up grab bar		235
801.50.210	Swing-up grab bar		234
801.50.2100	Hinged support rail	New	168
801.50.217	Mobile swing-up grab bar		235
801.50.220	Swing-up grab bar		234
801.50.2200	Hinged support rail		168
801.50.227	Mobile swing-up grab bar		235
801.50.230	Swing-up grab bar		234
801.50.237	Mobile swing-up grab bar		235
801.50.240	Swing-up grab bar		234
801.50.247	Mobile swing-up grab bar		235
801.50.3000	Stationary support rail	New	166
801.50.3001	Stationary support rail	New	166
801.50.3002	Stationary support rail	New	166
801.50.3003	Stationary support rail	New	166
801.50.3004	Stationary support rail	New	166
801.50B011	Upgrade kit toilet roll holder	New	169
801.50B060	Upgrade kit WC-toilet flushing solution (radio)	New	169
801.50B100	Swing-up grab bar, rotatable		232
801.50B1000	Hinged support rail, rotatable	New	167
801.50B1001	Hinged support rail, rotatable	New	167
801.50B1002	Hinged support rail, rotatable	New	167
801.50B107	Swing-up grab bar, rotatable		233
801.50B110	Swing-up grab bar, rotatable		232
801.50B1100	Hinged support rail, rotatable	New	167
801.50B117	Swing-up grab bar, rotatable		233
801.50B120	Swing-up grab bar, rotatable		232
801.50B1200	Hinged support rail, rotatable	New	167
801.50B127	Mobile swing-up grab bar, rotatable		233
801.50B130	Swing-up grab bar, rotatable		232
801.50B137	Mobile swing-up grab bar, rotatable		233
801.50B140	Swing-up grab bar, rotatable		232
801.50B147	Mobile swing-up grab bar, rotatable		233
801.50B200	Swing-up grab bar		234
801.50B2000	Hinged support rail	New	168
801.50B2001	Hinged support rail	New	168
801.50B2002	Hinged support rail	New	168
801.50B207	Mobile swing-up grab bar		235
801.50B210	Swing-up grab bar		234
801.50B2100	Hinged support rail	New	168
801.50B217	Mobile swing-up grab bar		235
801.50B220	Swing-up grab bar		234
801.50B2200	Hinged support rail		168
801.50B227	Mobile swing-up grab bar		235
801.50B230	Swing-up grab bar		234
801.50B237	Mobile swing-up grab bar		235
801.50B240	Swing-up grab bar		234
801.50B247	Mobile swing-up grab bar		235
801.50B3000	Stationary support rail	New	166
801.50B3001	Stationary support rail	New	166
801.50B3002	Stationary support rail	New	166
801.50B3003	Stationary support rail	New	166
801.50B3004	Stationary support rail	New	166
801.50US010	Upgrade kit toilet roll holder		232, 234
801.51.2000	Folding shower seat	New	179
801.51.2001	Folding shower seat	New	179
801.51.2002	Folding shower seat	New	179

## General information | Numerical index

Item Number	Name		Page
801.51.2100	Folding shower seat	New	180
801.51.300	Stool		230
801.51.8400	Shower bench		229
801.51.8410	Shower bench		229
801.51B2000	Folding shower seat	New	179
801.51B2001	Folding shower seat	New	179
801.51B2002	Folding shower seat	New	179
801.51B2100	Folding shower seat	New	180
801.51B300	Stool		230
801.51BUS32L	L-shaped shower compartment seat with lift-up feature		226
801.51BUS32R	L-shaped shower compartment seat with lift-up feature		226
801.51BUS33L	L-shaped shower compartment seat with lift-up feature		227
801.51BUS33R	L-shaped shower compartment seat with lift-up feature		227
801.51BUS440	Rectangular shower compartment seat with lift-up feature		224
801.51BUS450	Rectangular shower compartment seat with lift-up feature		224
801.51BUS460	Rectangular shower compartment seat with lift-up feature		225
801.51BUS520	Folding bathtub seat		225
801.51US100	Removable hanging seat		228
801.51US110	Removable hanging seat		228
801.51US320L	L-shaped shower compartment seat with lift-up feature		226
801.51US320R	L-shaped shower compartment seat with lift-up feature		226
801.51US321S	L-shaped shower compartment seat with floor support		226
801.51US330L	L-shaped shower compartment seat with lift-up feature		227
801.51US330R	L-shaped shower compartment seat with lift-up feature		227
801.51US331S	L-shaped shower compartment seat with floor support		227
801.51US440	Rectangular shower compartment seat with lift-up feature		224
801.51US450	Rectangular shower compartment seat with lift-up feature		224
801.51US460	Rectangular shower compartment seat with lift-up feature		225
801.51US520	Folding bathtub seat		225
801.90.010	Coat hook		207
801.90.020	Double hook		207
801.90.030	Double coat hook		208
801.90.040	Double coat hook		208
801.90.032	Double coat hook	New	157
801.90.033	Double coat hook	New	157
801.90.034	Double coat hook	New	157
801.90.035	Double coat hook	New	157
801.90B010	Coat hook		207
801.90B020	Double hook		207
801.90B030	Double coat hook		208
801.90B040	Double coat hook		208
801.90B032	Double coat hook	New	157
801.90B033	Double coat hook	New	157
801.90B034	Double coat hook	New	157
801.90B035	Double coat hook	New	157
801.91.010	Symbol, male		217
801.91.020	Symbol, female		217
801.91.030	Symbol, accessibility		217
801.91B010	Symbol, male		217
801.91B020	Symbol, female		217
801.91B030	Symbol, accessibility		217
801.99.001	Hook set	New	156
801.99.002	Double hook set	New	156
801.99B001	Hook set	New	156
801.99B002	Double hook set	New	156
802.01.100L	Adjustable mirror		285
802.01.100R	Adjustable mirror		285
802.03.200	Storage box		53
802.03.220	Corner shelf with holder		220
802.03B200	Storage box		53
802.03B220	Corner shelf with holder		220
805.20.020	Toilet brush		50



Item Number	Name	Page
<b>System 900</b>		
900.00.00040	Hair dryer holder	44
900.00.00060	Hair dryer holder	44
900.00.000XA	Hair dryer holder	44
900.03.00040	Shelf with grab bar	42
900.03.00060	Shelf with grab bar	42
900.03.000XA	Shelf with grab bar	42
900.03.00140	Shower basket	52
900.03.00160	Shower basket	52
900.03.001XA	Shower basket	52
900.03.00240	Shower basket	52
900.03.00260	Shower basket	52
900.03.002XA	Shower basket	52
900.04.00040	Glass tumbler with holder	30
900.04.00060	Glass tumbler with holder	30
900.04.000XA	Glass tumbler with holder	30
900.05.00060	Waste bin	41
900.05.000XA	Waste bin	41
900.05.00160	Wastepaper bin	39
900.05.001XA	Wastepaper bin	39
900.05.00260	Wastepaper bin	39
900.05.002XA	Wastepaper bin	39
900.05.00360	Wastepaper bin	40
900.05.003XA	Wastepaper bin	40
900.05.00460	Wastepaper bin	40
900.05.004XA	Wastepaper bin	40
900.05.00560	Hygiene waste bin	49
900.05.005XA	Hygiene waste bin	49
900.05.00660	Hygiene combination	49
900.05.006XA	Hygiene combination	49
900.06.00040	Soap dispenser with holder	31
900.06.00060	Soap dispenser with holder	31
900.06.000XA	Soap dispenser with holder	31
900.06.00140	Soap dispenser with holder	31
900.06.00160	Soap dispenser with holder	31
900.06.001XA	Soap dispenser with holder	31
900.06.00260	Disinfectant or soap dispenser	32
900.06.00261	Disinfectant or soap dispenser	32
900.06.002XA	Disinfectant or soap dispenser	32
900.06.00360	Disinfectant or soap dispenser	32
900.06.00361	Disinfectant or soap dispenser	32
900.06.003XA	Disinfectant or soap dispenser	32
900.06.00460	Soap dispenser	33
900.06.004XA	Soap dispenser	33
900.06.00560	SENSORIC Electronic soap dispenser	33
900.06.005XA	SENSORIC Electronic soap dispenser	33
900.06.00760	SENSORIC Electronic foamed soap dispenser	33
900.06.007XA	SENSORIC Electronic foamed soap dispenser	33
900.06.00860	SENSORIC Disinfectant dispenser	33
900.06.008XA	SENSORIC Disinfectant dispenser	33
900.06.00960	Paper towel dispenser	38
900.06.009XA	Paper towel dispenser	38
900.06.01060	Electronic paper roll dispenser	38
900.06.010XA	Electronic paper roll dispenser	38
900.06.01160	Hygiene bag dispenser	49
900.06.011XA	Hygiene bag dispenser	49
900.06.01260	Disinfectant dispenser column	35
900.06.012XA	Disinfectant dispenser column	35
900.06.01360	SENSORIC Disinfectant dispenser column	36
900.06.013XA	SENSORIC Disinfectant dispenser column	36
900.06.01460	SENSORIC Disinfectant dispenser column	37
900.06.014XA	SENSORIC Disinfectant dispenser column	37
900.06.01560	SENSORIC Disinfectant dispenser, upright model	34
900.06.01660	SENSORIC Disinfectant dispenser, wall model	34
900.09.00140	Towel rail	43

## General information | Numerical index

Item Number	Name	Page
900.09.00160	Towel rail	43
900.09.001XA	Towel rail	43
900.09.00240	Towel ring	44
900.09.00260	Towel ring	44
900.09.002XA	Towel ring	44
900.20.00040	Toilet brush unit	50
900.20.00060	Toilet brush unit	50
900.20.000XA	Toilet brush unit	50
900.20.00140	Toilet brush unit with lid	51
900.20.00160	Toilet brush unit with lid	51
900.20.001XA	Toilet brush unit with lid	51
900.20.01060	Toilet brush	50
900.20.02040	Toilet brush with lid	51
900.20.02060	Toilet brush with lid	51
900.20.020XA	Toilet brush with lid	51
900.21.00040	Toilet roll holder	46
900.21.00060	Toilet roll holder	46
900.21.000XA	Toilet roll holder	46
900.21.00160	Large toilet roll holder	48
900.21.001XA	Large toilet roll holder	48
900.21.00440	Toilet roll holder with shelf	46
900.21.00460	Toilet roll holder with shelf	46
900.21.004XA	Toilet roll holder with shelf	46
900.21.00540	Toilet roll holder with cover	47
900.21.00560	Toilet roll holder with cover	47
900.21.005XA	Toilet roll holder with cover	47
900.21.00640	Spare roll holder	47
900.21.00660	Spare roll holder	47
900.21.006XA	Spare roll holder	47
900.21.E01	Carousel	162, 213
900.33.06040	Grab bar with shower head holder	80
900.33.06060	Grab bar with shower head holder	80
900.33.060XA	Grab bar with shower head holder	80
900.33.0S2XA	Grab bar with shower head holder, special length	80
900.33M06040	Grab bar with magnetic shower head holder	New 81
900.33M06060	Grab bar with magnetic shower head holder	New 81
900.33M060XA	Grab bar with magnetic shower head holder	New 81
900.33M0S2XA	Grab bar with magnetic shower head holder, special length	New 81
900.34.00040	Ceiling support	59
900.34.00060	Ceiling support	59
900.34.000XA	Ceiling support	59
900.34.00140	Ceiling support	59
900.34.00160	Ceiling support	59
900.34.001XA	Ceiling support	59
900.34.00240	Ceiling support	59
900.34.00260	Ceiling support	59
900.34.002XA	Ceiling support	59
900.34.00340	Ceiling support	59
900.34.00360	Ceiling support	59
900.34.003XA	Ceiling support	59
900.34.00440	Ceiling support	59
900.34.00460	Ceiling support	59
900.34.00S40	Ceiling support, special length	New 59
900.34.00S60	Ceiling support, special length	New 59
900.34.00SXA	Ceiling support, special length	59
900.34.01S40	Ceiling support, special length	New 59
900.34.01S60	Ceiling support, special length	New 59
900.34.01SXA	Ceiling support, special length	59
900.34.02SXA	Ceiling support for suspended ceilings	New 59
900.34.10040	Shower curtain rail	56
900.34.10060	Shower curtain rail	56
900.34.100XA	Shower curtain rail	56
900.34.10140	Shower curtain rail	56

Item Number	Name		Page
900.34.10160	Shower curtain rail		56
900.34.101XA	Shower curtain rail		56
900.34.10240	Shower curtain rail		56
900.34.10260	Shower curtain rail		56
900.34.102XA	Shower curtain rail		56
900.34.10340	Shower curtain rail		56
900.34.10360	Shower curtain rail		56
900.34.103XA	Shower curtain rail		56
900.34.10440	Shower curtain rail		56
900.34.10460	Shower curtain rail		56
900.34.104XA	Shower curtain rail		56
900.34.10540	Shower curtain rail		56
900.34.10560	Shower curtain rail		56
900.34.10S40	Shower curtain rail, special length	New	56
900.34.10S60	Shower curtain rail, special length	New	56
900.34.10SXA	Shower curtain rail, special length		56
900.34.30040	Shower curtain rail		57
900.34.30060	Shower curtain rail		57
900.34.300XA	Shower curtain rail		57
900.34.30140	Shower curtain rail		57
900.34.30160	Shower curtain rail		57
900.34.301XA	Shower curtain rail		57
900.34.30240	Shower curtain rail		57
900.34.30260	Shower curtain rail		57
900.34.302XA	Shower curtain rail		57
900.34.30SXA	Shower curtain rail, special length		57
900.34.40040	Shower curtain rail		58
900.34.40060	Shower curtain rail		58
900.34.400XA	Shower curtain rail		58
900.34.40140	Shower curtain rail		58
900.34.40160	Shower curtain rail		58
900.34.401XA	Shower curtain rail		58
900.34.40240	Shower curtain rail		58
900.34.40260	Shower curtain rail		58
900.34.402XA	Shower curtain rail		58
900.34.40SXA	Shower curtain rail, special length		58
900.34.40340	Shower curtain rail	New	58
900.34.40360	Shower curtain rail	New	58
900.35.16040	Shower grab rail		79
900.35.16060	Shower grab rail		79
900.35.160XA	Shower grab rail		79
900.35.16140	Shower grab rail		79
900.35.16160	Shower grab rail		79
900.35.161XA	Shower grab rail		79
900.35.16240	Shower grab rail		79
900.35.16260	Shower grab rail		79
900.35.162XA	Shower grab rail		79
900.35.16340	Shower grab rail		79
900.35.16360	Shower grab rail		79
900.35.163XA	Shower grab rail		79
900.35.16440	Shower grab rail		79
900.35.16460	Shower grab rail		79
900.35.164XA	Shower grab rail		79
900.35.16540	Shower grab rail		79
900.35.16560	Shower grab rail		79
900.35.165XA	Shower grab rail		79
900.35.1S4XA	Shower grab rail		79
900.35.1S5XA	Shower grab rail		79
900.35.36040	Shower grab bar with adjustable vertical support bar and shower head holder		84
900.35.36060	Shower grab bar with adjustable vertical support bar and shower head holder		85
900.35.360XA	Shower grab bar with adjustable vertical support bar and shower head holder		84
900.35.36140	Shower grab bar with adjustable vertical support bar and shower head holder		84
900.35.36160	Shower grab bar with adjustable vertical support bar and shower head holder		85
900.35.361XA	Shower grab bar with adjustable vertical support bar and shower head holder		84
900.35.36240	Shower grab bar with adjustable vertical support bar and shower head holder		84

## General information | Numerical index

Item Number	Name		Page
900.35.36260	Shower grab bar with adjustable vertical support bar and shower head holder		85
900.35.362XA	Shower grab bar with adjustable vertical support bar and shower head holder		84
900.35.36340	Shower grab bar with adjustable vertical support bar and shower head holder		84
900.35.36360	Shower grab bar with adjustable vertical support bar and shower head holder		85
900.35.363XA	Shower grab bar with adjustable vertical support bar and shower head holder		84
900.35.3S4XA	Shower grab bar with adjustable vertical support bar and shower head holder		84
900.35.3S5XA	Shower grab bar with adjustable vertical support bar and shower head holder		84
900M35M36040	Rail with vertical support bar and magnetic shower head holder	New	86
900M35M36060	Rail with vertical support bar and magnetic shower head holder	New	87
900M35M360XA	Rail with vertical support bar and magnetic shower head holder	New	86
900M35M36140	Rail with vertical support bar and magnetic shower head holder	New	86
900M35M36160	Rail with vertical support bar and magnetic shower head holder	New	87
900M35M361XA	Rail with vertical support bar and magnetic shower head holder	New	86
900M35M36240	Rail with vertical support bar and magnetic shower head holder	New	86
900M35M36260	Rail with vertical support bar and magnetic shower head holder	New	87
900M35M362XA	Rail with vertical support bar and magnetic shower head holder	New	86
900M35M36340	Rail with vertical support bar and magnetic shower head holder	New	86
900M35M36360	Rail with vertical support bar and magnetic shower head holder	New	87
900M35M363XA	Rail with vertical support bar and magnetic shower head holder	New	86
900M35M3S4XA	Rail with vertical support bar and magnetic shower head holder	New	86
900M35M3S5XA	Rail with vertical support bar and magnetic shower head holder	New	86
900.35.46040	Shower grab bar with adjustable vertical support bar and shower head holder		82
900.35.46060	Shower grab bar with adjustable vertical support bar and shower head holder		82
900.35.460XA	Shower grab bar with adjustable vertical support bar and shower head holder		82
900.35.46140	Shower grab bar with adjustable vertical support bar and shower head holder		82
900.35.46160	Shower grab bar with adjustable vertical support bar and shower head holder		82
900.35.461XA	Shower grab bar with adjustable vertical support bar and shower head holder		82
900.35.46240	Shower grab bar with adjustable vertical support bar and shower head holder		82
900.35.46260	Shower grab bar with adjustable vertical support bar and shower head holder		82
900.35.462XA	Shower grab bar with adjustable vertical support bar and shower head holder		82
900.35.4S2XA	Shower grab bar with adjustable vertical support bar and shower head holder		82
900M35M46040	Rail with vertical support bar and magnetic shower head holder	New	83
900M35M46060	Rail with vertical support bar and magnetic shower head holder	New	83
900M35M460XA	Rail with vertical support bar and magnetic shower head holder	New	83
900M35M46140	Rail with vertical support bar and magnetic shower head holder	New	83
900M35M46160	Rail with vertical support bar and magnetic shower head holder	New	83
900M35M461XA	Rail with vertical support bar and magnetic shower head holder	New	83
900M35M46240	Rail with vertical support bar and magnetic shower head holder	New	83
900M35M46260	Rail with vertical support bar and magnetic shower head holder	New	83
900M35M462XA	Rail with vertical support bar and magnetic shower head holder	New	83
900M35M4S2XA	Rail with vertical support bar and magnetic shower head holder	New	83
900.36.06040	Grab bar		78
900.36.06060	Grab bar		78
900.36.060XA	Grab bar		78
900.36.06140	Grab bar		78
900.36.06160	Grab bar		78
900.36.061XA	Grab bar		78
900.36.06240	Grab bar		78
900.36.06260	Grab bar		78
900.36.062XA	Grab bar		78
900.36.06340	Grab bar		78
900.36.06360	Grab bar		78
900.36.063XA	Grab bar		78
900.36.06440	Grab bar		78
900.36.06460	Grab bar		78
900.36.064XA	Grab bar		78
900.36.06540	Grab bar		78
900.36.06560	Grab bar		78
900.36.065XA	Grab bar		78
900.36.06640	Grab bar		78
900.36.06660	Grab bar		78

Item Number	Name	Page
900.36.066XA	Grab bar	78
900.36.06740	Grab bar	78
900.36.06760	Grab bar	78
900.36.067XA	Grab bar	78
900.36.06840	Grab bar	78
900.36.06860	Grab bar	78
900.36.068XA	Grab bar	78
900.36.06940	Grab bar	78
900.36.06960	Grab bar	78
900.36.069XA	Grab bar	78
900.50.00140	Mounting plate	73
900.50.00160	Mounting plate	73
900.50.001XA	Mounting plate	73
900.50.00240	Wall plate cover for mounting plate	72
900.50.00260	Wall plate cover for mounting plate	72
900.50.002XA	Wall plate cover for mounting plate	72
900.50.00340	Mounting plate with cover	72
900.50.00360	Mounting plate with cover	72
900.50.003XA	Mounting plate with cover	72
900.50.02040	Floor support	74
900.50.02060	Floor support	74
900.50.020XA	Floor support	74
900.50.02140	Floor support	74
900.50.02160	Floor support	74
900.50.021XA	Floor support	74
900.50.10040	Swing-up grab bar Mono, Design A	64
900.50.10060	Swing-up grab bar Mono, Design A	64
900.50.100XA	Swing-up grab bar Mono, Design A	64
900.50.10140	Swing-up grab bar Duo, Design A	64, 66
900.50.10160	Swing-up grab bar Duo, Design A	64, 66
900.50.101XA	Swing-up grab bar Duo, Design A	64, 66
900.50.10240	Swing-up grab bar Duo, Design A	64, 66
900.50.10260	Swing-up grab bar Duo, Design A	64, 66
900.50.102XA	Swing-up grab bar Duo, Design A	64, 66
900.50.10340	Swing-up grab bar Duo, Design A	64, 66
900.50.10360	Swing-up grab bar Duo, Design A	64, 66
900.50.103XA	Swing-up grab bar Duo, Design A	64, 66
900.50.10440	Swing-up grab bar Duo, Design A	64, 66
900.50.10460	Swing-up grab bar Duo, Design A	64, 66
900.50.104XA	Swing-up grab bar Duo, Design A	64, 66
900.50.10540	Swing-up grab bar Duo, Design A	64, 66
900.50.10560	Swing-up grab bar Duo, Design A	64, 66
900.50.105XA	Swing-up grab bar Duo, Design A	64, 66
900.50.10640	Swing-up grab bar Duo, Design A	64, 67
900.50.10660	Swing-up grab bar Duo with toilet roll holder, Design A	64, 67
900.50.106XA	Swing-up grab bar Duo with toilet roll holder, Design A	64, 67
900.50.10740	Swing-up grab bar Duo with toilet roll holder, Design A	64, 67
900.50.10760	Swing-up grab bar Duo with toilet roll holder, Design A	64, 67
900.50.107XA	Swing-up grab bar Duo with toilet roll holder, Design A	64, 67
900.50.10840	Swing-up grab bar Duo with toilet roll holder, Design A	64, 67
900.50.10860	Swing-up grab bar Duo with toilet roll holder, Design A	64, 67
900.50.108XA	Swing-up grab bar Duo with toilet roll holder, Design A	64, 67
900.50.10940	Swing-up grab bar Duo with toilet roll holder, Design A	64, 67
900.50.10960	Swing-up grab bar Duo with toilet roll holder, Design A	64, 67
900.50.109XA	Swing-up grab bar Duo with toilet roll holder, Design A	64, 67
900.50.11040	Swing-up grab bar Duo with toilet roll holder, Design A	64, 67
900.50.11060	Swing-up grab bar Duo with toilet roll holder, Design A	64, 67
900.50.110XA	Swing-up grab bar Duo with toilet roll holder, Design A	64, 67
900.50.11140	Swing-up grab bar Duo with toilet roll holder, Design A	64, 67
900.50.11160	Swing-up grab bar Duo with toilet roll holder, Design A	64, 67
900.50.111XA	Swing-up grab bar Duo with toilet roll holder, Design A	64, 67
900.50.11240	Swing-up grab bar Duo with toilet roll holder, Design A	64, 67
900.50.11260	Swing-up grab bar Duo with toilet roll holder, Design A	64, 67
900.50.112XA	Swing-up grab bar Duo with toilet roll holder, Design A	64, 67











## General information | Numerical index

Item Number	Name	Page
900.50.199XA	Swing-up grab bar Duo, Design B	65, 68
900.50.20040	Swing-up grab bar Duo, Design B	65, 68
900.50.20060	Swing-up grab bar Duo, Design B	65, 68
900.50.200XA	Swing-up grab bar Duo, Design B	65, 68
900.50.20140	Swing-up grab bar Duo, Design B	65, 68
900.50.20160	Swing-up grab bar Duo, Design B	65, 68
900.50.201XA	Swing-up grab bar Duo, Design B	65, 68
900.50.20240	Swing-up grab bar Duo, Design B	65, 68
900.50.20260	Swing-up grab bar Duo, Design B	65, 68
900.50.202XA	Swing-up grab bar Duo, Design B	65, 68
900.50.20340	Swing-up grab bar Duo, Design B	65, 68
900.50.20360	Swing-up grab bar Duo, Design B	65, 68
900.50.203XA	Swing-up grab bar Duo, Design B	65, 68
900.50.20440	Swing-up grab bar Duo, Design B	65, 68
900.50.20460	Swing-up grab bar Duo, Design B	65, 68
900.50.204XA	Swing-up grab bar Duo, Design B	65, 68
900.50.20540	Swing-up grab bar Duo, Design B	65, 68
900.50.20560	Swing-up grab bar Duo, Design B	65, 68
900.50.205XA	Swing-up grab bar Duo, Design B	65, 68
900.50.20640	Swing-up grab bar Duo, Design B	65, 68
900.50.20660	Swing-up grab bar Duo, Design B	65, 68
900.50.206XA	Swing-up grab bar Duo, Design B	65, 68
900.50.20740	Swing-up grab bar Duo, Design B	65, 68
900.50.20760	Swing-up grab bar Duo, Design B	65, 68
900.50.207XA	Swing-up grab bar Duo, Design B	65, 68
900.50.20840	Swing-up grab bar Duo, Design B	65, 68
900.50.20860	Swing-up grab bar Duo, Design B	65, 68
900.50.208XA	Swing-up grab bar Duo, Design B	65, 68
900.50.20940	Swing-up grab bar Duo, Design B	65, 68
900.50.20960	Swing-up grab bar Duo, Design B	65, 68
900.50.209XA	Swing-up grab bar Duo, Design B	65, 68
900.50.21040	Swing-up grab bar Duo, Design B	65, 68
900.50.21060	Swing-up grab bar Duo, Design B	65, 68
900.50.210XA	Swing-up grab bar Duo, Design B	65, 68
900.50.21140	Swing-up grab bar Duo, Design B	65, 68
900.50.21160	Swing-up grab bar Duo, Design B	65, 68
900.50.211XA	Swing-up grab bar Duo, Design B	65, 68
900.50.21240	Swing-up grab bar Duo, Design B	65, 68
900.50.21260	Swing-up grab bar Duo, Design B	65, 68
900.50.212XA	Swing-up grab bar Duo, Design B	65, 68
900.50.21340	Swing-up grab bar Duo, Design B	65, 68
900.50.21360	Swing-up grab bar Duo, Design B	65, 68
900.50.213XA	Swing-up grab bar Duo, Design B	65, 68
900.50.21440	Swing-up grab bar Duo, Design B	65, 68
900.50.21460	Swing-up grab bar Duo, Design B	65, 68
900.50.214XA	Swing-up grab bar Duo, Design B	65, 68
900.50.21540	Swing-up grab bar Mono	65
900.50.21560	Swing-up grab bar Mono	65
900.50.215XA	Swing-up grab bar Mono	65
900.50.21660	Swing-up grab bar	New 75
900.50.21760	Swing-up grab bar	New 75
900.50.21860	Swing-up grab bar	New 75
900.50.40040	Mobile Swing-up grab bar Mono, Design A	70
900.50.40060	Mobile Swing-up grab bar Mono, Design A	70
900.50.400XA	Mobile Swing-up grab bar Mono, Design A	70
900.50.40140	Mobile Swing-up grab bar Duo, Design A	70, 71
900.50.40160	Mobile Swing-up grab bar Duo, Design A	70, 71
900.50.401XA	Mobile Swing-up grab bar Duo, Design A	70, 71
900.50.40240	Mobile Swing-up grab bar Duo, Design A	70, 71
900.50.40260	Mobile Swing-up grab bar Duo, Design A	70, 71
900.50.402XA	Mobile Swing-up grab bar Duo, Design A	70, 71
900.50.40340	Mobile Swing-up grab bar Duo, Design A	70, 71
900.50.40360	Mobile Swing-up grab bar Duo, Design A	70, 71
900.50.403XA	Mobile Swing-up grab bar Duo, Design A	70, 71
900.50.40440	Mobile Swing-up grab bar Duo, Design A	70, 71



## General information | Numerical index

Item Number	Name		Page
900.50B21640	Swing-up grab bar	New	75
900.50B216XA	Swing-up grab bar	New	75
900.50B21740	Swing-up grab bar	New	75
900.50B217XA	Swing-up grab bar	New	75
900.50B21840	Swing-up grab bar	New	75
900.50B218XA	Swing-up grab bar	New	75
900.51.00140	Mounting plate		97
900.51.00160	Mounting plate		97
900.51.001XA	Mounting plate		97
900.51.00240	Wall plate cover for mounting plate		96
900.51.00260	Wall plate cover for mounting plate		96
900.51.002XA	Wall plate cover for mounting plate		96
900.51.00340	Mounting plate with cover		96
900.51.00360	Mounting plate with cover		96
900.51.003XA	Mounting plate with cover		96
900.51.20040	Folding shower seat		90
900.51.20060	Folding shower seat		90
900.51.200XA	Folding shower seat		90
900.51.20140	Folding shower seat with floor support		92
900.51.20160	Folding shower seat with floor support		92
900.51.201XA	Folding shower seat with floor support		92
900.51.20240	Folding shower seat		91
900.51.20260	Folding shower seat		91
900.51.202XA	Folding shower seat		91
900.51.20440	Folding shower seat		91
900.51.20460	Folding shower seat		91
900.51.204XA	Folding shower seat		91
900.51.20540	Folding shower seat with floor support		93
900.51.20560	Folding shower seat with floor support		93
900.51.205XA	Folding shower seat with floor support		93
900.51.20640	L-shaped shower compartment seat with lift-up feature		100
900.51.206XA	L-shaped shower compartment seat with lift-up feature		100
900.51.20740	L-shaped shower compartment seat with lift-up feature		100
900.51.207XA	L-shaped shower compartment seat with lift-up feature		100
900.51.20840	L-shaped shower compartment seat with lift-up feature		101
900.51.208XA	L-shaped shower compartment seat with lift-up feature		101
900.51.20940	L-shaped shower compartment seat with lift-up feature		101
900.51.209XA	L-shaped shower compartment seat with lift-up feature		101
900.51.21040	Rectangular shower compartment seat with lift-up feature		102
900.51.210XA	Rectangular shower compartment seat with lift-up feature		102
900.51.21140	Rectangular shower compartment seat with lift-up feature		102
900.51.211XA	Rectangular shower compartment seat with lift-up feature		102
900.51.21240	Rectangular shower compartment seat with lift-up feature		103
900.51.212XA	Rectangular shower compartment seat with lift-up feature		103
900.51.21340	Bathtub seat with lift-up feature		103
900.51.213XA	Bathtub seat with lift-up feature		103
900.51.21440	Folding shower seat with floor support		93
900.51.21460	Folding shower seat with floor support		93
900.51.214XA	Folding shower seat with floor support		93
900.51.40040	Mobile folding shower seat		94
900.51.40060	Mobile folding shower seat		94
900.51.400XA	Mobile folding shower seat		94
900.51.40140	Mobile folding shower seat		95
900.51.40160	Mobile folding shower seat		95
900.51.401XA	Mobile folding shower seat		95
900.51.40440	Mobile folding shower seat		95
900.51.40460	Mobile folding shower seat		95
900.51.404XA	Mobile folding shower seat		95
900.51B21590	Folding shower seat	New	98
900.51B21690	Folding shower seat	New	99
900.90.00140	Walking aid holder		45
900.90.00160	Walking aid holder		45
900.90.001XA	Walking aid holder		45

Item Number	Name		Page
<b>System 900 Q</b>			
900Q03.00040	Shelf 200 mm	New	10
900Q03.00060	Shelf 200 mm	New	10
900Q03.00240	Shelf with soap dispenser	New	10
900Q03.00260	Shelf with soap dispenser	New	10
900Q03.00740	Shelf with glass plate 600 mm	New	12
900Q03.00760	Shelf with glass plate 600 mm	New	12
900Q03.007XA	Shelf with glass plate 600 mm	New	12
900Q04.00040	Glass tumbler with holder	New	9
900Q04.00060	Glass tumbler with holder	New	9
900Q06.00040	Soap dispenser with holder	New	9
900Q06.00060	Soap dispenser with holder	New	9
900Q09.00040	Towel rail	New	12
900Q09.00060	Towel rail	New	12
900Q09.000XA	Towel rail	New	12
900Q20.00040	Toilet brush unit	New	15
900Q20.00060	Toilet brush unit	New	15
900Q20.00160	Toilet brush unit	New	16
900Q20.001XA	Toilet brush unit	New	16
900Q20.00260	Toilet brush unit	New	16
900Q20.002XA	Toilet brush unit	New	16
900Q21.00040	Toilet roll holder	New	14
900Q21.00060	Toilet roll holder	New	14
900Q21.000XA	Toilet roll holder	New	14
900Q21.00140	Toilet roll holder with lid	New	14
900Q21.00160	Toilet roll holder with lid	New	14
900Q21.001XA	Toilet roll holder with lid	New	14
900Q21.00240	Toilet roll holder with shelf	New	14
900Q21.00260	Toilet roll holder with shelf	New	14
900Q21.002XA	Toilet roll holder with shelf	New	14
900Q21.00340	Spare roll holder	New	15
900Q21.00360	Spare roll holder	New	15
900Q21.003XA	Spare roll holder	New	15
900Q21.00440	Spare roll holder, double	New	15
900Q21.00460	Spare roll holder, double	New	15
900Q21.004XA	Spare roll holder, double	New	15
900Q30.00040	Towel rail 250 mm	New	12
900Q30.00060	Towel rail 250 mm	New	12
900Q30.000XA	Towel rail 250 mm	New	12
900Q30.00140	Towel rail 600 mm	New	17
900Q30.00160	Towel rail 600 mm	New	17
900Q30.001XA	Towel rail 600 mm	New	17
900Q30.00240	Towel rail 800 mm	New	17
900Q30.00260	Towel rail 800 mm	New	17
900Q30.002XA	Towel rail 800 mm	New	17
900Q90.00040	Single hook	New	10
900Q90.00060	Single hook	New	10
900Q90.000XA	Single hook	New	10
900Q90.001XA	Double hook	New	11
900Q90.00240	Double hook	New	11
900Q90.00260	Double hook	New	11
900Q90.00340	Hook strip	New	11
900Q90.00360	Hook strip	New	11
<b>Universal usability</b>			
950.01.110	Mirror		281
950.01.12200	Plate glass mirror	New	282
950.01.12201	Plate glass mirror	New	282
950.01.12202	Plate glass mirror	New	282
950.01.12203	Plate glass mirror	New	283
950.01.12204	Plate glass mirror	New	283
950.01.12205	Plate glass mirror	New	283
950.01.12206	Plate glass mirror	New	283
950.01.225	Cosmetic mirror		286
950.01.23001	Cosmetic mirror	New	286

## General information | Numerical index

Item Number	Name		Page
950.01.23040	Cosmetic mirror	New	286
950.06.10201	SENSORIC Electronic disinfectant and soap dispenser		270
950.06.102XA	SENSORIC Electronic disinfectant and soap dispenser		270
950.06.10301	SENSORIC Disinfectant dispenser column		271
950.06.103XA	SENSORIC Disinfectant dispenser column		271
950.11.100	Washbasin		290
950.11.101	Washbasin		290
950.11.102	Washbasin		290
950.11.103	Washbasin		290
950.11.106	Dementia-Washbasin		290
950.11.120	Washbasin		290
950.11.121	Washbasin		290
950.11.140	Washbasin		289
950.11.141	Washbasin		289
950.11.150	Washbasin		288
950.11.151	Washbasin		288
950.11.160	Washbasin		288
950.11.161	Washbasin		288
950.11.162	Washbasin	New	288
950.11.163	Washbasin	New	288
950.11.200S	Washbasin, variable length	New	294
950.11.201S	Washbasin, variable length	New	294
950.11.220S	Washbasin, variable length	New	295
950.11.221S	Washbasin, variable length	New	295
950.11.240	Washbasin		289
950.11.241	Washbasin		289
950.11.600S	Washbasin, variable length	New	292
950.11.601S	Washbasin, variable length	New	292
950.11.603S	Washbasin, variable length	New	292
950.11.604S	Washbasin, variable length	New	292
950.11.620S	Washbasin, variable length	New	293
950.11.621S	Washbasin, variable length	New	293
950.13.0001	Washbasin profiles with support rail		301
950.13.0002	Washbasin profile with shelf		301
950.13.0003	Washbasin profile with shelf		301
950.13.0004	Washbasin profile with shelf		301
950.13.0005	Washbasin profile with shelf		302
950.13.0006	Washbasin profile with shelf		302
950.13.0007	Washbasin profile with shelf		302
950.13.0008	Washbasin profile with 3 hooks		302
950.13.0009	Washbasin profile with cap		303
950.13.0010	Wall profile with caps		312
950.13.0011	Wall profile with caps		312
950.13.0012	Wall profile with caps		312
950.13.0013	Hook		313
950.13.0014	Shelf		313
950.13.0015	Shelf		313
950.13.0016	Shelf		313
950.13.0017	Shelf		313
950.13.0018	Shelf		314
950.13.0019	Shelf		314
950.13.0020	Profile cap		314
950.13.0021	Washbasin support rail		303
950.13.0023	Washbasin support rail	New	301
950.13.0026	Walking aid holder	New	314
950.13.0027	Towel rail	New	314
950.13.200	Washbasin, modular		299
950.13.200S	Washbasin, modular, special length	New	300
950.13.201	Washbasin, modular		299
950.13.201S	Washbasin, modular, special length	New	300
950.13.202	Washbasin, modular	New	299
950.13.202S	Washbasin, modular, special length	New	300
950.13.203	Washbasin, modular	New	299
950.13.203S	Washbasin, modular, special length	New	300
950.19.070	Product set washbasin and support rail		306

Item Number	Name	Page
950.19.071	Product set washbasin with support rail and 2 hooks	307
950.19.072	Product set washbasin with support rail and shelf	308
950.19.073	Product set washbasin with support rail, 2 shelves and hook	309
950.19.074	Product set washbasin with 2 shelves and hook	310
950.19.080	Product set washbasin and support rail	New 306
950.19.081	Product set washbasin with support rail and 2 hooks	New 307
950.19.082	Product set washbasin with support rail and shelf	New 308
950.19.083	Product set washbasin with support rail, 2 shelves and hook	New 309
950.19.084	Product set washbasin with 2 shelves and hook	New 310
950.19.074	Product set washbasin with 2 shelves and hook	310
950.30.11001	Bath towel shelf	54
950.30.11040	Bath towel shelf	54
950.36US1190	Support rail	238
950.36US1390	Support rail	238
950.36US1490	Support rail	238
950.36US1590	Support rail	238
950.50.013	Protection and storage bag	73
950.50.016	Mounting plate	236
950.50.01790	Wall plate cover for mounting plate	236
950.50.10190	Mounting plate with cover	236
950.51.013	Protection and storage bag	97
950.51.30060	Shower stool	New 109
950.51.30090	Shower stool	109
950.51.30092	Shower stool	109
950.51.30098	Shower stool	109
950.51.300XA	Shower stool	109
950.51.30140	Shower stool	110
950.51.30160	Shower stool	New 110
950.51.30240	Shower stool	110
950.51.30260	Shower stool	New 110
950.51.31040	Bath chair	111
950.51.31060	Bath chair	New 111
950.51.31140	Bath chair	111
950.51.31160	Bath chair	New 111
950.51.40060	Shower stool	New 106
950.51.40160	Shower stool	New 106
950.51.40260	Shower stool	New 107
950.51.41060	Bath chair	New 107
950.51.41160	Bath chair	New 108
950.90.60090	Walking aid holder	204
950.90B60090	Walking aid holder	204

**Fixing material**

BA17.4	Fixing type 4	336
BA17.4B	Fixing type 4	336
BA20.1	Fixing type 1	336
BA20.1B	Fixing type 1	336
BA20.21	Fixing type 21	336
BA20.21B	Fixing type 21	336
BA20.4	Fixing type 4	183, 336
BA20.4B	Fixing type 4	183, 336
BA23.1	Fixing type 1	336
BA23.1B	Fixing type 1	336
BA23.21	Fixing type 21	336
BA23.21B	Fixing type 21	336
BA23.4	Fixing type 4	336
BA23.4B	Fixing type 4	336
BM10.2	Fixing material	62, 233, 235
BM10.3	Fixing material	98
BM11.2	Fixing material	62, 233, 235
BM11.3	Fixing material	98
BM12.2	Fixing material	62, 233, 235
BM12.3	Fixing material	98
BM13.2	Fixing material	62, 233, 235
BM13.3	Fixing material	98

Item Number	Name	Page
BM16.2US	Fixing material	233
BM17.2	Fixing material	62, 233, 235
BM17.3	Fixing material	98
BM18.2	Fixing material	62, 233, 235
BM18.3	Fixing material	98
BM20.4	Fixing material	180, 183
BM20.4B	Fixing material	183
BM21.4	Fixing material	180
BM22.4	Fixing material	180
BM23.4	Fixing material	180
BM27.4	Fixing material	180
BM28.4	Fixing material	180

**Spare parts**

21755	Plate glass mirror	186
25244	Rotating handle with cord	186
39006	Masking cap	187, 252
41382	Tumbler	New 184
41939	Extension piece	185
510640	Compensation washer	120
51876	Ring insert for waste bin	250
54436	Cord re-routing	186
58848	Glass plate for shelf	271
60169	Insert for utility dish	270
62523	Soap dish	259
63907	Pump head	115
63910	Pump head	115
65747	Eccentric washer	121
65966	Eccentric washer	121
66644	Brake unit	121
66758	Rose cap	120
66759	Rose cap	120
66760	Rose cap	120
66761	Rose cap	120
66764	Rose cap	120
66765	Rose cap	120
66766	Rose cap	120
66771	Shower head holder	121
66778	Rose cap	120
66779	Tight round plate, 10 pcs	120
66823	Insert for toilet brush unit System 900	117
66863	Locking screw	121
66864	Cap	121
66865	Cap	121
66866	Cap	121
66867	Cap	121
66868	Cap	121
66869	Cap	121
66870	Cap	121
66871	Cap	121
66988	Pump head	115
66989	Pump head	115
67363	Masking cap	118
67364	Locking screw	118
67365	Locking screw	118
67366	Masking cap	118
67367	Locking screw	118
67368	Locking screw	118
67369	Cover	118
67370	Cover	118
67371	Joint cap	119
67372	Joint cap	119
67373	Cover	119
67374	Cover	119
67378	Stop element	119



Item Number	Name	Page
67723	Cap	121
67724	Cap	121
67734	Locking screw	121
67738	Container	114, 269
67970	Rose cap	120
67971	Rose cap	120
67973	Rose cap	120
67974	Rose cap	120
67977	Masking cap	118
67978	Locking screw	118
67979	Locking screw	118
68001	Cover	118
68002	Joint cap	119
68008	Cover	119
68555	Rotating handle with cord	186
68556	Masking cap	187, 252
68557	Extension piece	185
68559	Cord re-routing	186
68562	Brush handle	187, 251
71176	Tight round plate, 50 pcs	120
71177	Tight round plate, 100 pcs	120
71819	Insert for utility dish	272
71830	Compensation washer	120
71831	Compensation washer	120
72320	Tumbler	184
921037	Brush head, 1 piece	187, 252
921038	Brush head, 25 pieces	187, 252
921044	Brush head, 5 pieces	187, 252
921050	Brush head, 1 piece	117
921051	Brush head, 5 pieces	117
921052	Brush head, 25 pieces	117
921056	Curtain ring	117
921060	Curtain ring	117
100.03.E01	Glass plate	259
100.03.E02	Pump head chrome	258, 269
100.04.E01	Glass tumbler	258
100.06.E01	Glass container	258
477.06.E01	Key for paper towel dispenser	250
477.06.E02	Container for paper towel dispenser	251
477.06.E0360	Drip tray	New 184, 250
477.06.E04	Wall-mounted base	New 184, 250
477.06BE04	Wall-mounted base	New 184, 250
477.20.E03	Brush handle	187, 251
477.20.E04	Toilet brush container	187, 251
477.20BE04	Toilet brush container	187, 251
800.02.E01	Soap dish, glass	272
800.04.E01	Glass tumbler	114, 268
800.06.E01	Glass container for soap dispenser	269
800.06.E02	Container	114, 269
801.33USE02	Shower head holder	252
815.06.E01	Glass container	114
900.06.E0160	Drip tray	116
900.06.E0560	Drip tray	116
900.06.E0660	Drip tray	116
900.06.E02	Soap tank	115
900.06.E03	Disinfectant tank	115
900.06.E04	Foam soap tank	115
950.06.E01	Power supply	117
950.06.E02	Pump head black	269
950.06.E05	Pump head white	269

**PREMIUM QUALITY**

Selected materials and careful workmanship ensure durable products of outstanding quality. HEWI has always produced its polyamide products in its own factory in North Hesse, Germany. As a premium brand, HEWI offers high-quality, long-lasting system solutions and enables consistent design throughout, from the entrance door through to the sanitary room.

**CE CODING PURSUANT TO THE MEDICAL PRODUCTS ACT**

**CE** Medical products are subject to directive 93/42 EEC and are legally required to be marked with the letters 'CE'. The CE seal may only be used if the product in question has successfully completed the CE conformity evaluation procedure. The guarantee that safety standards are adhered to is, therefore, given in the case of HEWI marked products.

**GS-TESTED SAFETY**

 Our cloakroom products are subject to voluntary testing. With HEWI you therefore acquire tested safety (and hence the GS abbreviation). For you this means: you can depend on HEWI products always satisfying the current safety standards and in most cases they even exceed them.

**SUSTAINABILITY**

Resource-saving methods, the highest quality and extreme durability contribute to the development of environmentally friendly products. At HEWI each work step is tested for environmental compatibility and optimized if necessary. Since 1998 the HEWI environmental management system is international standard. HEWI products can be recycled.



**CERTIFICATIONS**

The following certifications have been confirmed by accredited certification firms for the scope: development, production and sale of signage systems, hardware, electronic locking systems, handrails, sanitary accessories and accessibility products as well as injection moulding products made of synthetic materials including the necessary moulds and resources:

**EN ISO 9001**

As early as 1994 all our corporate processes were already being performed in accordance with DIN EN ISO 9001 quality guidelines. As a result, we are committed to the highest quality at all product stages, from the planning to the development through to manufacturing and shipping. For you, this means, at HEWI you always get top quality.

**EN ISO 14001**

HEWI's environmental management system conforms to international standards and has been certified by accredited companies since 1998. These long life cycles and the longterm strategy of using timeless designs contribute to relieving the environment.

**EN ISO 50001**

Through a consistent energy management, we are committed to systematically exploit potential energy savings in business and purposefully implement measures. Since 2014 supports a comprehensive energy management system to continuously improve our energy performance.

Copies of the certificates can be issued on request.

**SAFETY WITH SYSTEM**

The Safety with System seal of approval of the Berufsgenossenschaft Chemie distinguishes occupational safety at HEWI.

**PARTNERS**

HEWI is actively involved in a broad-based network and is therefore a member of diverse associations.



**POLYAMIDE AND CHROME PLATED SURFACES – MATERIAL CHARACTERISTICS AND CARE TIPS**

High gloss surfaces and brilliant colors characterize the HEWI products made of high-quality polyamide. The non-porous surface is easy to clean. Polyamide is extremely robust. HEWI polyamide products are easy-care. Generally speaking, an occasional wipe with a damp cloth is enough. If, however, you feel you have to use detergents, you should take note of the following information. Only use detergents with a ph-rating of between 6 and 8. Detergents containing active substances such as phosphates, soap and tensides may be used. Detergents containing acids, alkalis, bleach or scouring agents may not be used. Nor should utensils with a scouring effect such as brushes etc. Usage of any detergent requires full compliance with the manufacturer's instructions (concentration, soaking time etc.).

**STAINLESS STEEL – MATERIAL CHARACTERISTICS AND CARE TIPS**

Stainless steel has a non-porous and therefore particularly hygienic surface. Minimal maintenance requirements sufficient to prevent dirt, bacteria or microorganisms accumulate on the surface. The material is extremely robust and resistant to scratches. Due to their smooth surface and high resistance to detergents and disinfectants, components made of non-corroding stainless steel are particularly easy to clean. An occasional wipe-down with warm water and a standard detergent is generally sufficient. Detergents with iron, acid or chlorine content are not suitable for cleaning purposes, as they allow foreign or ambient rust to form on the surface of the stainless steel. Scouring aids or detergents containing a scouring additive should also be avoided. It should also be noted that HEWI product surface finishes can be attacked and damaged.

**MORE INFORMATION ABOUT CLEANING HEWI PRODUCTS**

Our warranty does not cover damage occurring as a result of incorrect handling.

Ask our order centre to send you a detailed list of approved detergents.

Please contact HEWI  
Tel. +49 5691 82-300,  
if any questions are left.

# International terms and conditions of sale

## § 1 Applicability of these International Terms and Conditions of Sale

(1) The terms and conditions set out in these International Terms and Conditions of Sale, which form an integral part of the Contract of Sale, apply to all Contracts of Sale concluded as of 2 January 2020 if the buyer's relevant place of business is outside of Germany. These International Terms and Conditions of Sale apply exclusively. The buyer's terms and conditions which conflict or differ from these International Terms and Conditions of Sale and/or from the legal provisions do not apply, even if we do not object to them or render performance or accept the buyer's performance.

(2) These Terms and Conditions of Sale do not apply if the goods are bought for personal, family or household use and we knew or ought to have known at any time before or at conclusion of the Contract of Sale that the goods were bought for any such use. The buyer declares that the goods are not bought for personal, family or household use.

## § 2 Formation of the Contract of Sale

(1) A Contract of Sale always requires a written order of the buyer.

(2) We may accept the buyer's written order with our order acknowledgement (hereinafter the "Order Acknowledgement") within 10 (ten) calendar days after receipt of the buyer's order.

## § 3 Applicable Law

(1) The Contract of Sale is governed by the United Nations Conventions of 11 April 1980 on Contracts for the International Sale of Goods (UN Sales Convention/ CISG) in the English version and all legal questions beyond the scope of the CISG are governed by the Swiss law of obligations (Obligationenrecht). The CISG also applies to all agreements as to the jurisdiction of courts and arbitral tribunals.

(2) Should commercial terms be used the Incoterms® 2020 of the International Chamber of Commerce apply taking into account the provisions stipulated in these International Terms and Conditions of Sale.

## § 4 Specifications of the goods; Third party rights

(1) The goods to be delivered have to conform to the specifications and quality requirements set out in the Order Acknowledgement. To the extent no specifications or quality requirements are stated in the Order Acknowledgement, the goods conform with the contract if they are fit for the purpose which is usual in Germany and fit for the purpose for which goods of the same description are usually used for in Germany. Unless otherwise explicitly agreed to, the goods do not have to conform to any laws or regulations existing outside of Germany. Should the conformity of the goods depend on the field of application of the goods, the buyer shall also be responsible for ensuring that the goods are suitable for the purpose intended by him.

(2) Should the buyer intend to use the goods in circumstances which are unusual or which could entail a particular risk to the safety and health of any person or to the environment, the buyer has to inform us in writing about these intentions before concluding the Contract of Sale.

(3) Rights and claims of third parties (in particular rights and claims based on title or industrial property rights) only constitute a defect in title if these rights and/or claims are in force and registered in Germany and impede the use of the goods in Germany.

## § 5 Obligation to deliver; Passing of risk

(1) We have to deliver the goods referred to in the Order Acknowledgement including a packaging that is suitable for the means of transportation.

(2) Delivery has to be made FCA Incoterms 2020 at our premises in 34454 Bad Arolsen/Germany. We are not obliged to contract for carriage and we are not obliged to inform the buyer that the goods have been delivered or that the carrier or another person nominated by the buyer has failed to take the goods within the time agreed. We are however entitled to contract for carriage in our own name at the buyer's risk and expense; the costs resulting therefrom will be charged to the buyer with the invoice. We are also entitled to contract for carriage on behalf of the buyer at the buyer's risk and expense. In all such instances where we contract for carriage at buyer's risk and expense, the place of performance for delivery will be 34454 Bad Arolsen/Germany.

(3) Adherence to the delivery date respectively the delivery period stated in the Order Acknowledgement is not of the essence and non-adherence to the delivery date or the delivery period respectively does not constitute a fundamental breach of contract. If delivery periods are agreed to, we reserve the right to determine the exact delivery time within the delivery period.

(4) All delivery dates and delivery periods are dependent upon the buyer performing all of his obligations in due time. In particular, the buyer has to procure or confirm any necessary permits, drawings etc. and make agreed payments in due time.

(5) We are entitled to make partial deliveries and to invoice these separately.

(6) The passing of risk takes place with delivery in accordance with § 5 sec. 2. Should the buyer fail to take delivery, the risk passes at the time the buyer fails to take delivery.

(7) In addition to our statutory rights we are entitled to suspend the performance of our obligations if there are reasonable indications that the buyer will not perform his obligations under the Contract of Sale, in particular not be able to pay the agreed price in due time.

## § 6 Delivery Note, Invoice and other documents

(1) We will provide the buyer with a delivery note issued according to our standard.

(2) Irrespective of the Incoterms-clause used, we are not obliged to clear the goods for export. We will however at the buyer's risk and expense apply for any necessary export licences and formalities as regards customs provided that the buyer has provided us with all necessary information.

(3) We will provide the buyer only with such documents explicitly stated on the Order Acknowledgement.

## § 7 Force Majeure

Any inability to supply as a result of force majeure or other unforeseen incidents outside our responsibility including, without limitation, strike, lock out, acts of public authorities, subsequent cease of export or import opportunities shall, for their duration and in accordance with their impact, relieve us from the obligation to comply with any agreed delivery period and delivery time as well as any other obligation.

## § 8 Obligation to pay the purchase price

(1) The buyer is obliged to pay the agreed purchase price to the bank account nominated by us. Insofar as pursuant to the Order Acknowledgement the packaging costs are not included in the purchase price, these costs are to be paid in addition to the purchase price. The place of payment is 34454 Bad Arolsen/Germany. Banking fees accrued outside of Germany will be borne by the buyer. The payment shall be made without any deductions and is due for payment on the date or within the time limit as stated on the Order Acknowledgement. A time limit for payment stated on the Order Acknowledgement shall be calculated from the date of invoice. In the absence of any payment dates or time limits stated on the Order Acknowledgement, payment shall be made within 30 (thirty) calendar days after date of invoice. The buyer's acceptance of the goods is no precondition for the payment to become due.

(2) The agreed prices shall exclude any statutory VAT applicable at the date of delivery.

(3) The buyer is only entitled to exercise a lien or to suspend his performance if this is based on the same transaction as well as based on a due

and undisputed or finally adjudicated counterclaim of the buyer.

(4) The buyer may only offset any claims insofar as the buyer's counter-claim is acknowledged, undisputed or assessed in a legally binding judgement.

(5) If and till such time the buyer is in arrears with payment of the purchase price, the buyer is obliged to pay interest at the rate of nine (9) percentage points above the base rate of the German Central bank per annum.

## § 9 Non-Conforming goods; Goods with a defect in title

(1) The goods do not conform to the contract if at the time the risk passes they significantly deviate from the requirements set out in § 4 sec. 1 and sec. 2.

(2) The goods are not free from rights or claims of third parties if at the time the risk passes they significantly deviate from the requirements set out in § 4 sec. 3.

## § 10 Duty of examination and notification

(1) Without prejudice to the legal provisions, the buyer is obliged to examine the goods comprehensively in respect of deviations as regards type, quantity, quality and packaging. If necessary, the buyer is obliged to conduct the examination with the help of external third parties.

(2) Notice of non-conformity has to be made in within ten (10) calendar days. For very obvious non-conformities, the period for such notification starts with the delivery of the goods, in all other cases after the buyer has discovered the non-conformity or ought to have discovered it. Notice of non-conformity has to be given in writing. The notice of non-conformity has to clearly indicate and describe the non-conformity in such a way that we can take remedial actions.

(3) Apart from the aforesaid as well as with respect to defects in title, the statutory provisions apply.

## § 11 Limitation Period

Without prejudice to claims resulting from a malicious, grossly negligent or intentional conduct as well as claims due to injury of life, body or health, the buyer's claims in respect of the delivery of non-conforming goods and goods with a defect in title become time-barred one (1) year after delivery of the goods.

## § 12 Remedies in case of non-conforming goods and goods with a defect in title; Limitation of Liability

(1) In case of delivery of non-conforming goods, the buyer can claim delivery of substitute goods, rectification of a non-conformity by repair, reduce the purchase price or declare avoidance of the Contract of Sale only in accordance with the legal provisions. Delivery of substitute goods and rectification of a non-conformity by repair does not include the removal of the non-conforming goods nor the assembly of the repaired or of the substitute goods.

(2) To the extent any costs associated with performing remedies are increased by the fact that the buyer has removed the goods to a place not stated in the Order Acknowledgement or, in the absence of such an indication, to a place other than the buyer's place of business, these costs will be borne by the buyer.

(3) Delivery of substitute goods or repair does not lead to a restart or extension of the limitation period.

(4) If we deliver non-conforming goods or goods with a defect in title or breach any other obligation resulting from the Contract of Sale or the business relationship with the buyer, the buyer is entitled to demand damages only in accordance with the following provisions and any recourse to concurrent bases of claim (in particular of a non-contractual nature) is excluded:

a. We are not liable for the conduct of our suppliers or subcontractors. Neither are we liable for damages to which the buyer has contributed.

b. The buyer has to prove that either our directors or employees or other members of staff have deliberately or negligently breached contractual obligations owed to the buyer.

c. In case of liability, the amount of damages for late delivery is limited to 0,5 per cent for each full week of delay, up to a maximum of 5 per cent of the purchase price of the goods delivered late or not at all, and in case of remedies because of delivery of non-conforming goods and/or goods with a defect in title and in case of all other breaches of obligations is limited to the purchase price of the goods affected.

d. Irrespective of § 12 sec. 5 c), we are not liable for loss of profit.

e. The aforesaid limitations in § 12 sec. 5 do not apply

i. to injury of life, body or health,

ii. if we have acted maliciously, grossly negligent or intentionally,

iii. if we are liable according to mandatory product liability laws, and

iv. to liabilities which may not be excluded or limited according to the applicable laws.

(5) Apart from the aforesaid, the statutory provisions apply.

## § 13 Right to use Software; Rights in documents etc.

(1) In case the goods include software, with the delivery of the goods the buyer is hereby granted a non-exclusive, royalty-free license to use the software, but strictly and only in connection with the goods purchased under this Contract of Sale. With the exception of the right to make one backup copy, the buyer is not entitled to copy the software.

(2) We reserve all intellectual property rights in any documents, pictures, drawings etc. (collectively "Documents") arising in connection with the performance of the obligations arising under the Contract of Sale and such Documents shall belong exclusively to us.

## § 14 Other Provisions

(1) Title of the goods that have been delivered remains with us until all of our claims against the buyer have been settled.

(2) We are not obliged to perform any obligations not stated in the written Order Acknowledgement or in these International Terms and Conditions of Sale.

(3) There are no side agreements to the Contract of Sale.

(4) Any amendments to a concluded Contract of Sale require our written confirmation, duly approved by signature.

(5) The buyer is not entitled to assign his rights and obligations against us to a third party.

(6) The place of performance for delivery is governed in § 5 sec. 2, the place of performance for the payment in § 8 sec.1. For all remaining obligations and irrespective of the agreement of a differing Incoterms-clause, the place of performance is agreed to be 34454 Bad Arolsen/Germany, including for a replacement delivery, for the rectification of non-conformities and for the restitution of the contractual obligations in case of avoidance of the Contract.

(7) All communications, declarations, notices etc. (herein-after collectively "Notices") are to be drawn up exclusively in German or English. Notices by means of fax or email fulfil the requirement of being in writing. A signature is not required, unless these International Terms and Conditions of Sale explicitly require a signature.

## § 15 Agreement on arbitration and jurisdiction

(1) If the Buyer's place of business is located within the European Economic Area and/or within Switzerland, for all disputes, including disputes under insolvency law, arising out of or in connection with a Contract of Sale and/or these International Terms and Conditions of Sale, including its validity, invalidity, violation or cancellation as well as other disputes arising out of the business relationship between the Buyer and us, the state court which has jurisdiction for 34454 Bad Arolsen/Germany shall have exclusive jurisdiction. Instead of bringing an action before the state court which has jurisdiction for 34454 Bad Arolsen/Germany, we are also entitled to bring an action before the state court of the Buyer's place of business.

(2) If the Buyer's place of business is located outside of both the European Economic Area and Switzerland, all contractual and extra-contractual disputes, including disputes under insolvency law, arising out of or in connection with a Contract of Sale and/or these International Terms and Conditions of Sale, including its validity, invalidity, violation or cancellation as well as other disputes arising out of the business relationship between the Buyer and us shall be finally settled in accordance with the Swiss Rules of International Arbitration of the Swiss Chambers' Arbitration Institution in force on the date on which the Notice of Arbitration is submitted in accordance with these Rules. The place of the arbitration shall be Zurich/Switzerland, the language used in the arbitral proceedings shall be English.

## § 16 Severability

If provisions of these International Terms and Conditions of Sale should be or become partly or wholly ineffective, the remaining provisions will continue to apply. We and the buyer are bound to replace the ineffective provision with a legally valid provision as close as possible to the commercial meaning and purpose of the ineffective provision.





# HEWI

[www.hewi.com](http://www.hewi.com)

USA  
HEWI Inc.  
350 Fifth Avenue  
Suite 5220  
New York, NY 10118  
(917) 734-4112  
[hewi@hewi.us](mailto:hewi@hewi.us)