

HEWI

Matt edition System 111/162 in the object

Matt surfaces are now integral parts of modern rooms. Their smooth and elegant appearance, and various design possibilities make them so popular.

The choice of materials has a decisive influence on spatial effect and style. Matt surfaces add sensual accentuations. You can emphasise the style or, in combination with high-gloss surfaces, create interesting counterparts. They have a convincingly unusual look and a particularly warm feel.

Please click!
More information about
System 111/162 Matt edition



Matt edition

Matt colours are areal design highlight. They can be easily integrated into existing colour concepts or be used to set elegant accents. HEWI provides a unique surface with the matt Edition, which appeals to the senses and at the same time creates space for individuality. The systems 111 and 162 in the matt stand out thanks to their characteristic look and a very special feel.

The system 111 has a modern yet classic design that is reduced to the essentials. This is what make its so versatile. System 111 is a design icon that is still used today even 50 years after it was created; its re-edition in matt just goes to prove how modern it is. System 111 is available in the

Edition matt with two different attachment options – with a mini rose and with a flat rose in a bicolor design. System 162 stands for classic architecture. One distinctive design feature is the miter cut that lends the system 162, especially in the matt edition, an elegant touch. A consistent program of handles for entrance doors, safety and emergency exit hardware through to indoor accent doors. HEWI has the answer to functional and design requirements in the object. The hardware is available in shades of white, grey and black. The matt finish is achieved in a special finishing process, in which the polyamide products are individually blasted with glass beads by hand. The result is unique design objects made in Germany.

Winner of the Iconic Awards 2018 – Innovative Architecture, the Iconic Awards 2018 – Innovative Material, the German Design Award 2019 – Winner and the Universal Design Special Mention 2020.



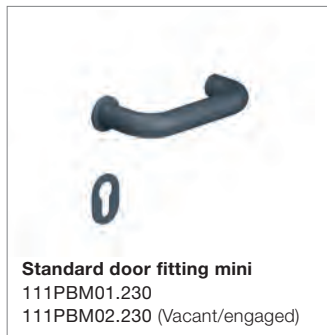
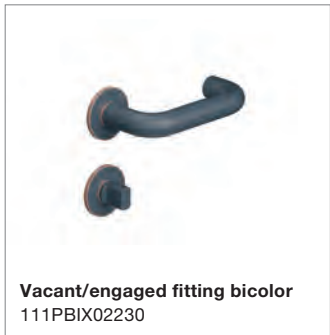
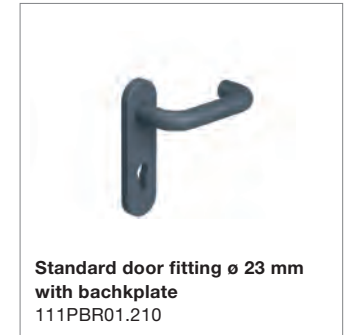
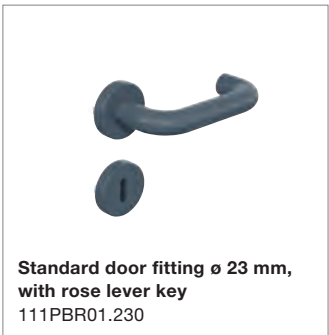
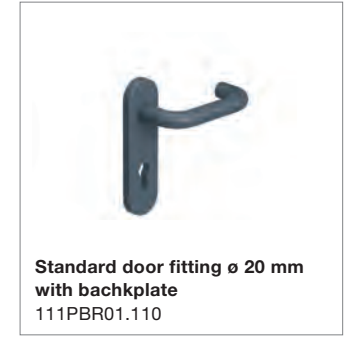
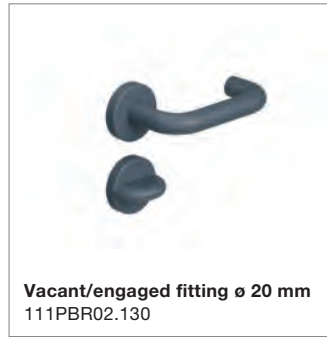
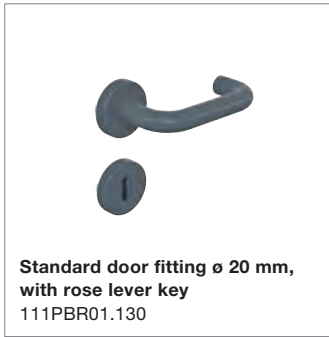
System 111



System 162







Polyamide, matt

- 98 signal white
- 99 pure white
- 97 light grey
- 95 stone grey
- 92 anthracite grey
- 90 jet black

Polyamide, matt, bicolor, mini

Lever handle inlay roses

- 99 pure white
- 92 anthracite grey
- 90 jet black

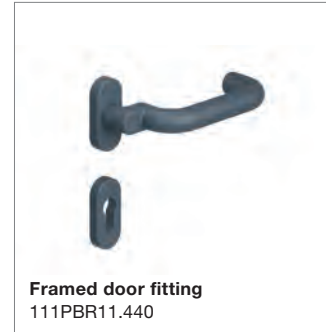
Roses bicolor

- stainless steel satin
- brass mat
- copper mat
- black chrome mat

**More info
Please click here!**



System 111 | Framed door fitting



Framed door fitting
111PBR11.440

Polyamide, matt

- 98 signal white
- 99 pure white
- 97 light grey
- 95 stone grey
- 92 anthracite grey
- 90 jet black

System 111 | Window handles



Window handle
111PBF.1



Window handle lockable
111PBFGA.1

Polyamide, matt

- 98 signal white
- 99 pure white
- 97 light grey
- 95 stone grey
- 92 anthracite grey
- 90 jet black

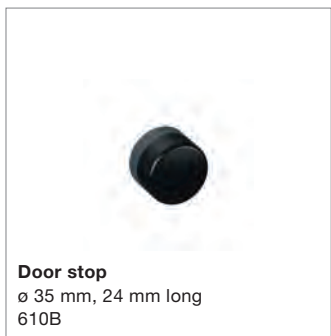
More info
[Please click here!](#)





INFORMATION

← AFRICAN ART
CONTEMPORARY ART →
← BAUHAUS DESIGN
SCANDINAVIAN GRAPHIC →



Polyamide, matt

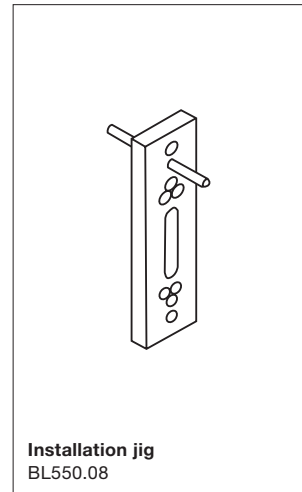
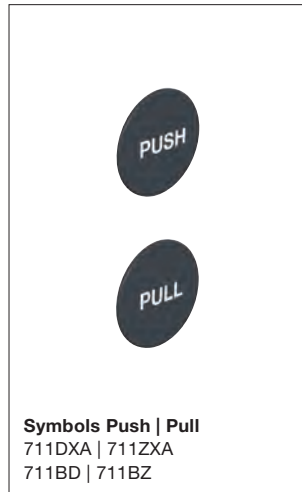
- 98 signal white
- 99 pure white
- 97 light grey
- 95 stone grey
- 92 anthracite grey
- 90 jet black

More info
Please click here!



System 111 | Push/pull handle EN 179

Accessible escape route solution



- HEWI lever handles meet the requirements at emergency exits acc. to EN 179
- Highly suitable for heavy doors because the push/pull handle reduces the amount of force required to open the door
- Push/pull handles offer barrier-free operating comfort thanks to the variable handle height of between 75 and 120 cm (acc. to DIN 18040 an operating height of 85 cm is recommended for wheelchair users or small children)
- The flexible height of the push/pull handle offers greater operating ease for tall persons or people who use a walking frame

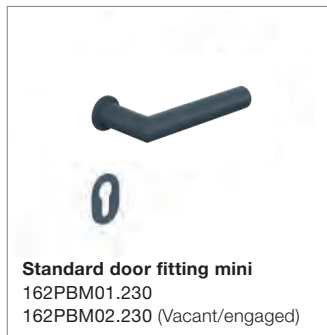
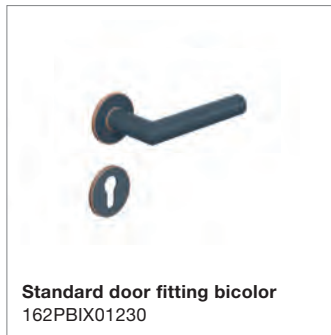
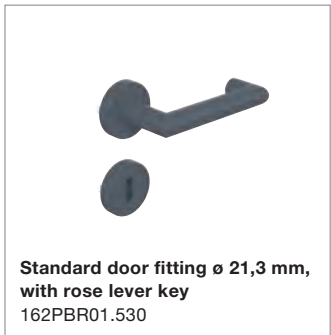
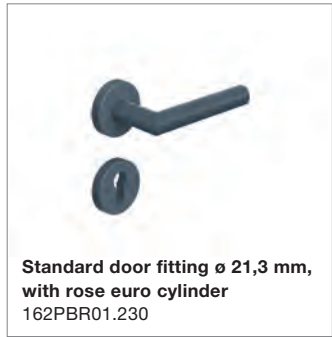
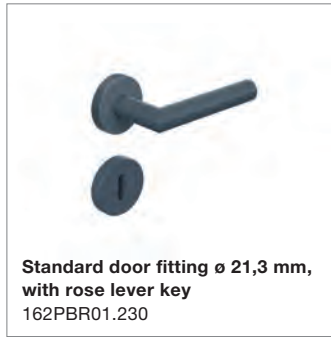
Polyamide, matt

- 98 signal white
- 99 pure white
- 97 light grey
- 95 stone grey
- 92 anthracite grey
- 90 jet black

More info
Please click here!



12 25



Polyamide, matt

- 99 pure white
- 92 anthracite grey
- 90 jet black

Polyamide, matt, bicolor, mini

Lever handle inlay roses

- 99 pure white
- 92 anthracite grey
- 90 jet black

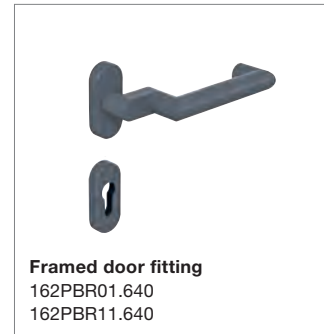
Roses bicolor

- stainless steel mat
- brass mat
- copper mat
- black chrome mat

**More info
Please click here!**



System 162 | Framed door fitting



Framed door fitting
162PBR01.640
162PBR11.640

Polyamide, matt

- 99 pure white
- 92 anthracite grey
- 90 jet black

System 162 | Window handles



Window handle
162PBF2



Window handle lockable
162PBF2A

Polyamide, matt

- 99 pure white
- 92 anthracite grey
- 90 jet black

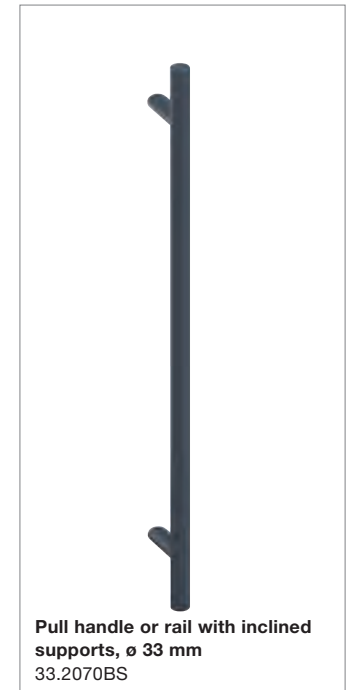
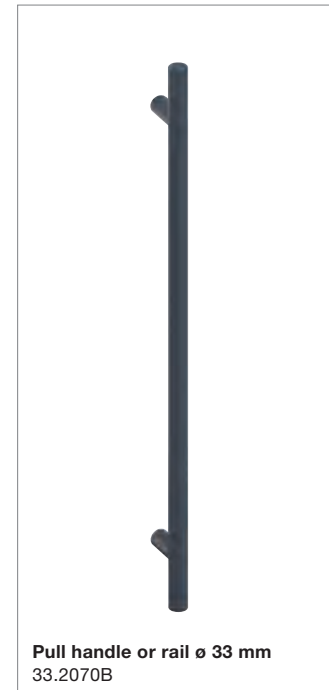
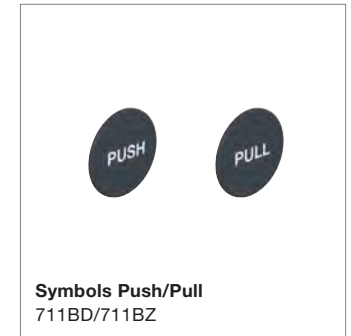
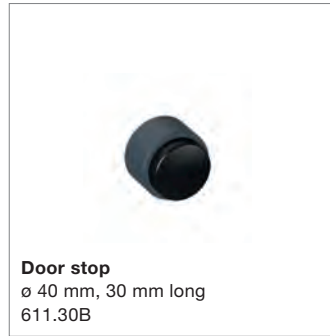
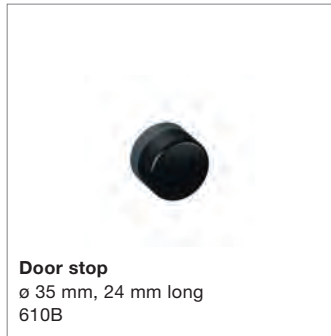


More info
[Please click here!](#)



27

Darling,
come in

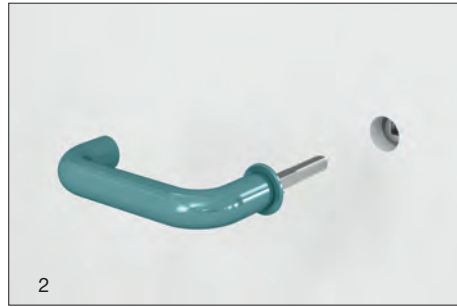


Polyamide, matt

- 98 signal white
- 99 pure white
- 97 light grey
- 95 stone grey
- 92 anthracite grey
- 90 jet black

More info
 Please click here!

mini | Unique fixing



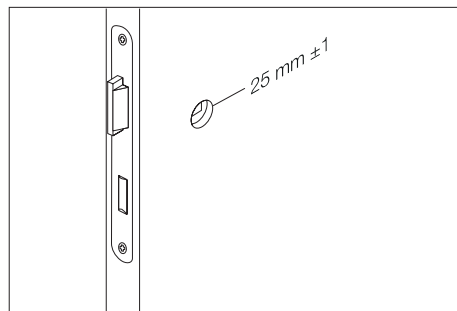
1. On rebated doors, insert the mounting wedge between the lock and cutout hole.
2. The preassembled lever spindle part with press-in bearing is pushed through the lock follower.
3. The press-in bearing on the other side is screwed into the door leaf with a nut, which serves as a mounting aid, and a ring spanner AF 19.



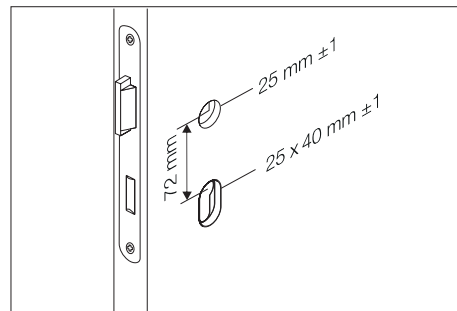
4. As a result the press-in bearings press themselves into the door leaf. The mounting aid (nut) can now be removed.
5. The press-in bearing is concealed by a mini rose.
6. The second lever handle is then pushed onto the spindle and is fixed with a setscrew.

Technical requirements for mounting the mini

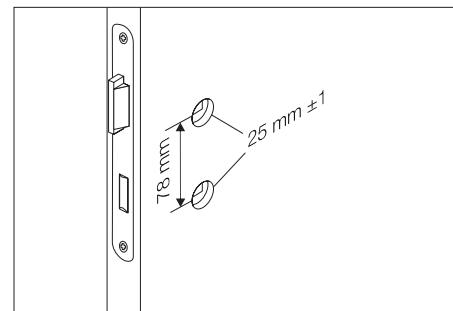
Cut dimensions of door



Standard door



Euro cylinder or warded mortise



Rose with turn knob

Cut size | Lever handle

The cut size (hole size) in the area of the lock follower must have a nominal size of 25 mm. Production tolerances of ± 1 mm can be levelled out by the press-in bearing.

Cut size | Euro cylinder or warded mortise

The cut size (hole size) in the area of the escutcheons (Euro cylinder / warded) may be 25 x 40 mm maximum ± 1 mm.

Cut size | Toilet door rose

The cut size (hole size) for mounting roses with turn knob must have a nominal size of 25 mm ± 1 mm.

More info
Please click here!



Inspiration

COLOURS | SURFACES | MATERIAL MIX

It all started with the design icons of the System 111 series. Start your creative journey through time by watching the film and be inspired.

Find out more at: www.hewi.com/en/hardware/bicolor



PANIC BAR EN 1125
Reliable safety

Find out more in the film:
www.hewi.com/en/hardware/panic-bar



PUSH/PULL HANDLE
Barrier-free escape route solutions

Find out more:
www.hewi.com/en/hardware/push-pull-handle-sets



DISINFECTION DISPENSER COLUMN

Find out more:
www.hewi.com/en/sanitary/dispenser-systems

mini – INNOVATIVE FITTINGS EQUIPMENT

Find out more:
www.hewi.com/en/hardware/mini

HEWI

www.hewi.com

GERMANY

HEWI Heinrich Wilke GmbH
Postfach 1260
34442 Bad Arolsen
Phone: +49 5691 82-0
Fax: +49 5691 82-319
international@hewi.com

UNITED KINGDOM

HEWI (UK) Limited
Holm Oak Barn, Beluncle Halt
Stoke Road, Hoo
Rochester, Kent ME3 9NT
Phone: +44 1634 258200
Fax: +44 1634 250099
info@hewi.co.uk