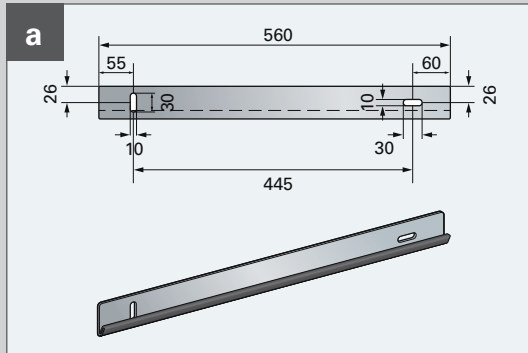


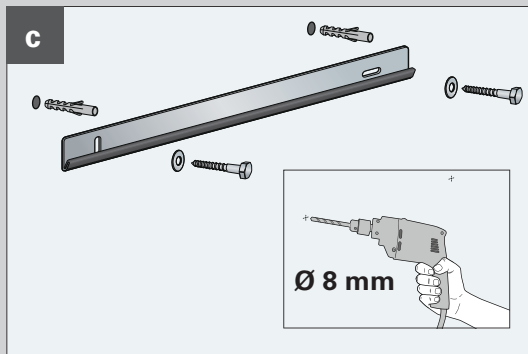
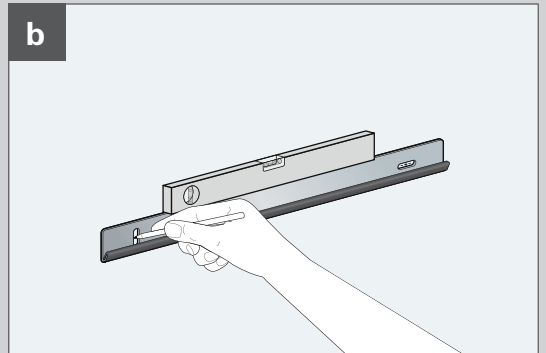
## profi-air® 250/400 touch Wandmontage / wall mounting



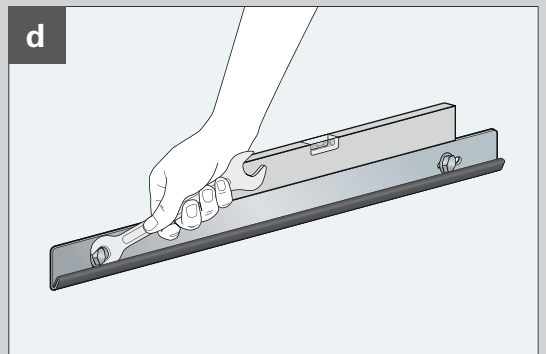
1



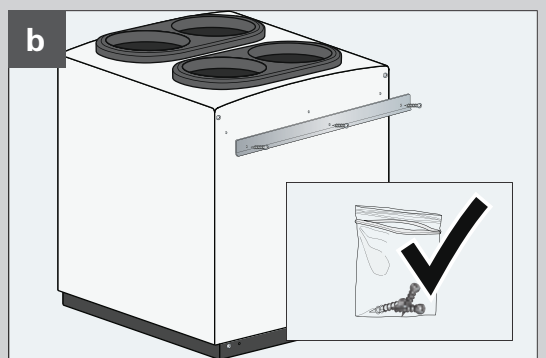
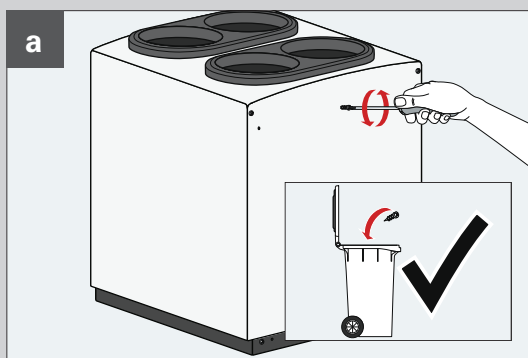
**b**



**d**

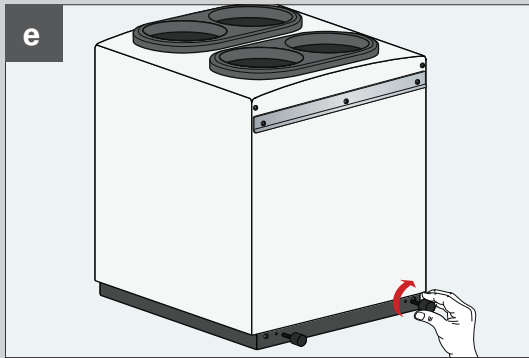
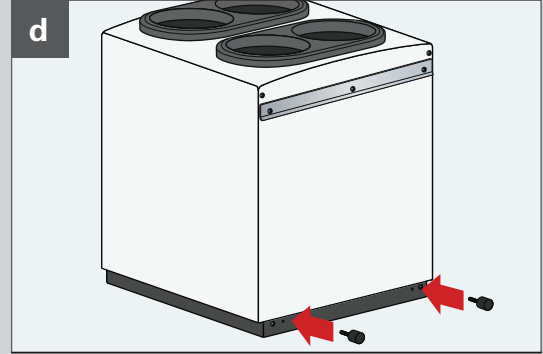
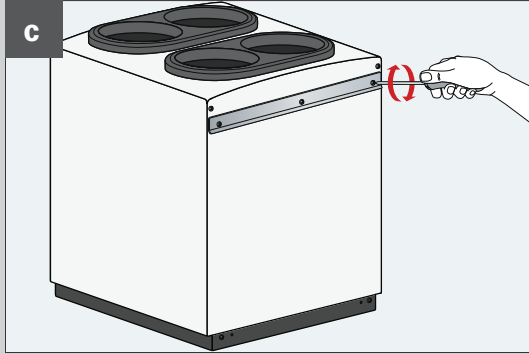


2



## profi-air® 250/400 touch Wandmontage / wall mounting

2



3

